



US00D799475S

(12) **United States Design Patent** (10) **Patent No.:** **US D799,475 S**  
**Fan** (45) **Date of Patent:** **\*\* Oct. 10, 2017**

(54) **TABLET COMPUTER**

(71) Applicant: **Lenovo (Beijing) Co., Ltd.**, Beijing (CN)

(72) Inventor: **Xuesong Fan**, Beijing (CN)

(73) Assignee: **LENOVO (BEIJING) CO., LTD.**, Beijing (CN)

(\*\*) Term: **14 Years**

(21) Appl. No.: **29/519,961**

(22) Filed: **Mar. 10, 2015**

(30) **Foreign Application Priority Data**

Sep. 12, 2014 (CN) ..... 2014 3 0337874

(51) **LOC (10) Cl.** ..... **14-02**

(52) **U.S. Cl.**  
USPC ..... **D14/341**

(58) **Field of Classification Search**

USPC ..... D14/315-327, 341, 336, 337, 126-129;  
D18/1, 2, 7, 11; 235/145 A, 145 R;  
341/22, 23; 345/104, 156, 168, 169, 173;  
361/679.08, 679.09, 679.11, 679.26,  
361/679.27; D6/300, 308, 309  
CPC ..... G06F 1/16; G06F 1/1616; G06F 1/1626;  
G06F 1/1632; G06F 1/1613; G06F  
1/1601; G06F 1/1618; G06F 1/162; G06F  
1/166; G06F 1/1654; G06F 1/1681; G06F  
1/1637; G06F 1/1688; G06F 3/037; H01R  
35/02; H03M 11/00; G09B 13/04; H03K  
17/94; G09G 5/00; F16M 11/10; F16M  
11/00; F16M 11/02; H05K 5/00; H04M  
1/0237

See application file for complete search history.

(56) **References Cited**

**U.S. PATENT DOCUMENTS**

D135,938 S \* 7/1943 Altman ..... D27/174  
3,596,627 A \* 8/1971 Monk ..... B60Q 7/00  
116/63 P  
D355,170 S \* 2/1995 Mizusugi ..... D14/336  
D424,068 S \* 5/2000 Takemasa ..... D14/126

(Continued)

**OTHER PUBLICATIONS**

Lenovo (Beijing) Co. . . L td. . . “Tablet computer”. design U.S. Appl. No. 29/519,963, filed Mar. 10, 2015, not yet published.  
Lenovo (Beijing) Co. . . L td. . . “Tablet computer”. design U.S. Appl. No. 29/519,954, filed Mar. 9, 2015, not yet published.  
Warnamu, Simple 20 Shapes, p. 1, (<http://warnamu.biz/wp-content/uploads/2016/02/print-free-printable-geometry-work-sheets>) May 19, 2016.  
Sketchup, Making Rectangles, p. 1, (<http://help.sketchup.com/ru/article/3000199>) May 19, 2016.

*Primary Examiner* — Freda S Nunn

(74) *Attorney, Agent, or Firm* — Oppedahl Patent Law Firm LLC

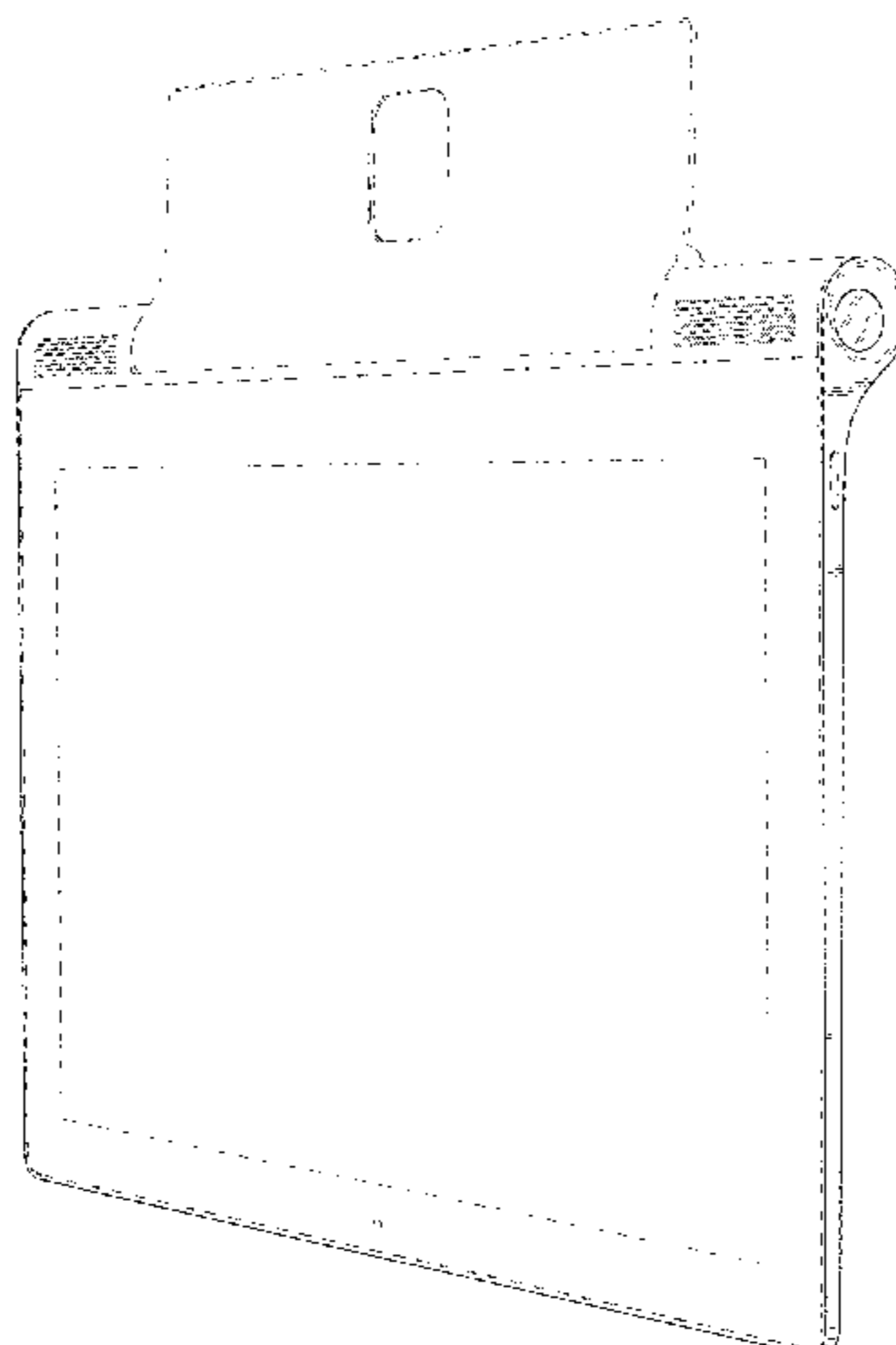
(57) **CLAIM**

The ornamental design for a tablet computer, as shown and described.

**DESCRIPTION**

FIG. 1 is a front view of a tablet computer showing my new design.  
FIG. 2 is a left side view thereof.  
FIG. 3 is a right side view thereof.  
FIG. 4 is a perspective view thereof.  
FIG. 5 is a perspective view thereof with the stand being in an open position.  
FIG. 6 is a front view of a second embodiment thereof.  
FIG. 7 is a left side view thereof.  
FIG. 8 is a right side view thereof.  
FIG. 9 is a perspective view thereof.  
FIG. 10 is a perspective view thereof with the stand being in an open position; and,  
FIG. 11 is a perspective view thereof with the stand being in second open position.  
Broken lines shown in the drawings represent environment only and form no part of the claimed design and the undisclosed views do not comprise claimed subject matter.

**1 Claim, 11 Drawing Sheets**



(56)

**References Cited**

U.S. PATENT DOCUMENTS

D436,951 S *	1/2001	Andresen	.....	D14/336	D659,692 S *	5/2012	Jung	.....	D14/341
D488,811 S *	4/2004	Denhez	.....	D14/341	D664,144 S *	7/2012	Akana	.....	D14/389
D494,173 S *	8/2004	Lin	.....	D14/374	D678,877 S *	3/2013	Groene	.....	D14/341
D524,312 S *	7/2006	Young	.....	D14/375	D690,692 S *	10/2013	Shin	.....	D14/341
D599,792 S *	9/2009	Lin	.....	D14/331	D691,980 S *	10/2013	Park	.....	D14/138 G
D602,488 S *	10/2009	Jiang	.....	D14/341	D707,211 S *	6/2014	Ho	.....	D14/240
D628,199 S *	11/2010	Yukikado	.....	D14/371	D712,399 S *	9/2014	Sohn	.....	D14/336
D642,081 S *	7/2011	Kashimoto	.....	D10/49	D720,345 S	12/2014	Chu		
D645,036 S	9/2011	Jones			2003/0058372 A1*	3/2003	Williams	.....	F16M 11/18
D656,137 S *	3/2012	Chung	.....	D14/341					348/836
					2007/0241002 A1*	10/2007	Wu	.....	G06F 1/1601
									206/150

\* cited by examiner

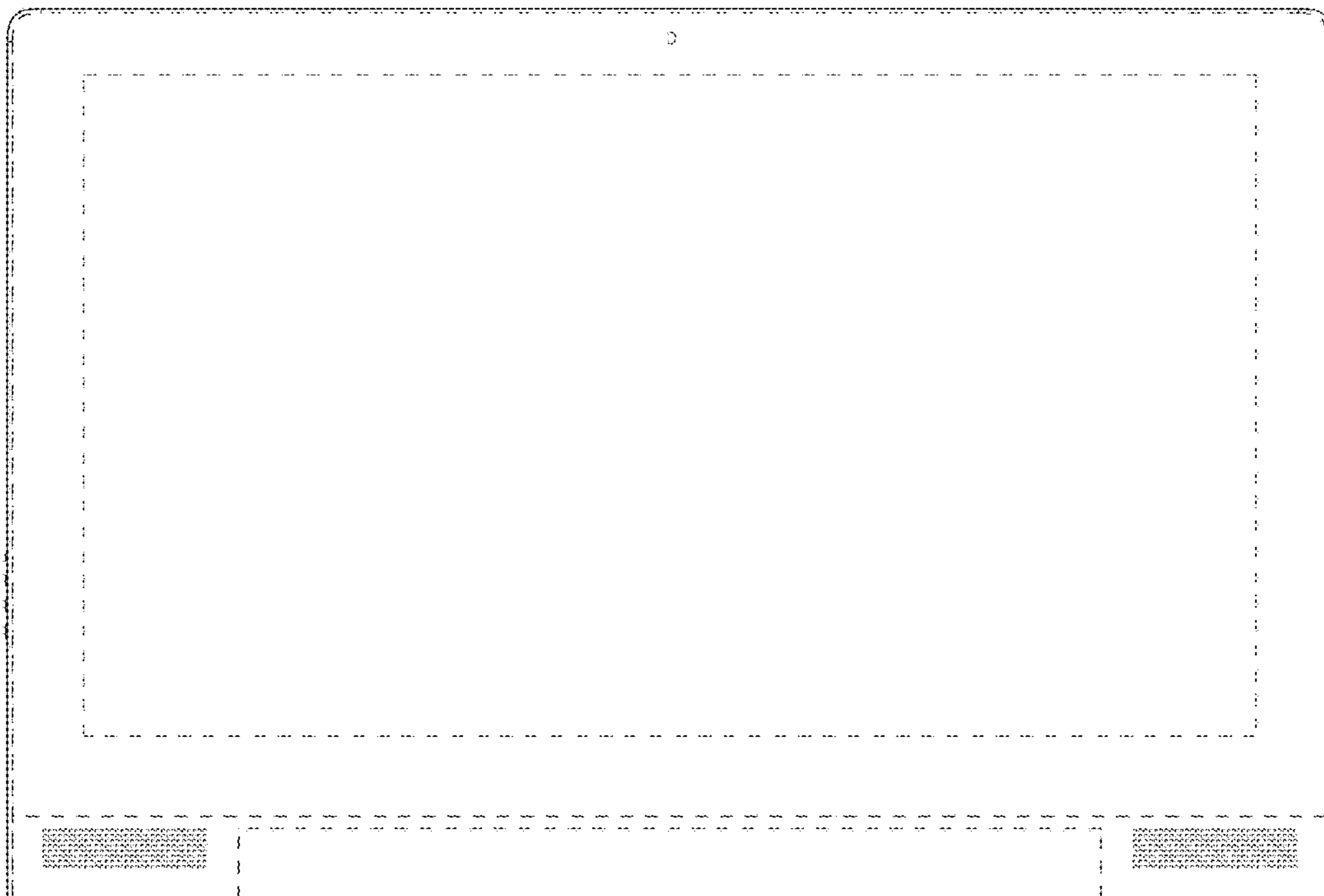


Figure. 1

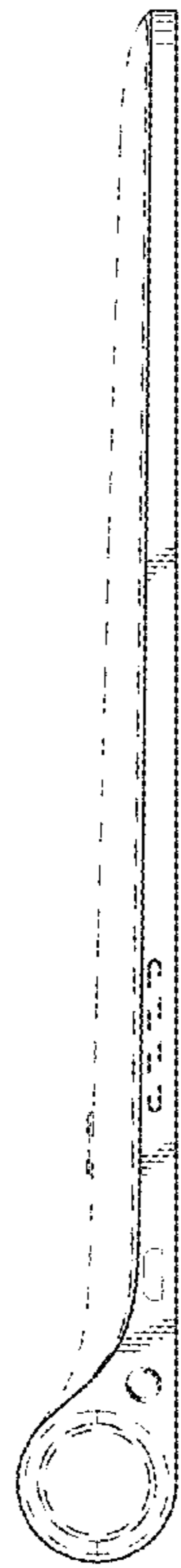


Figure. 2

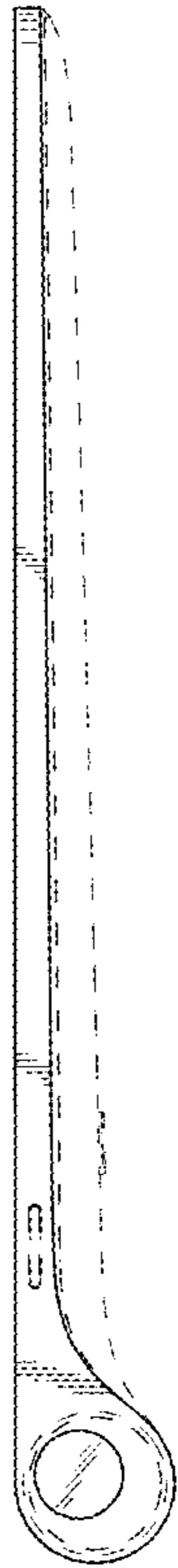


Figure. 3

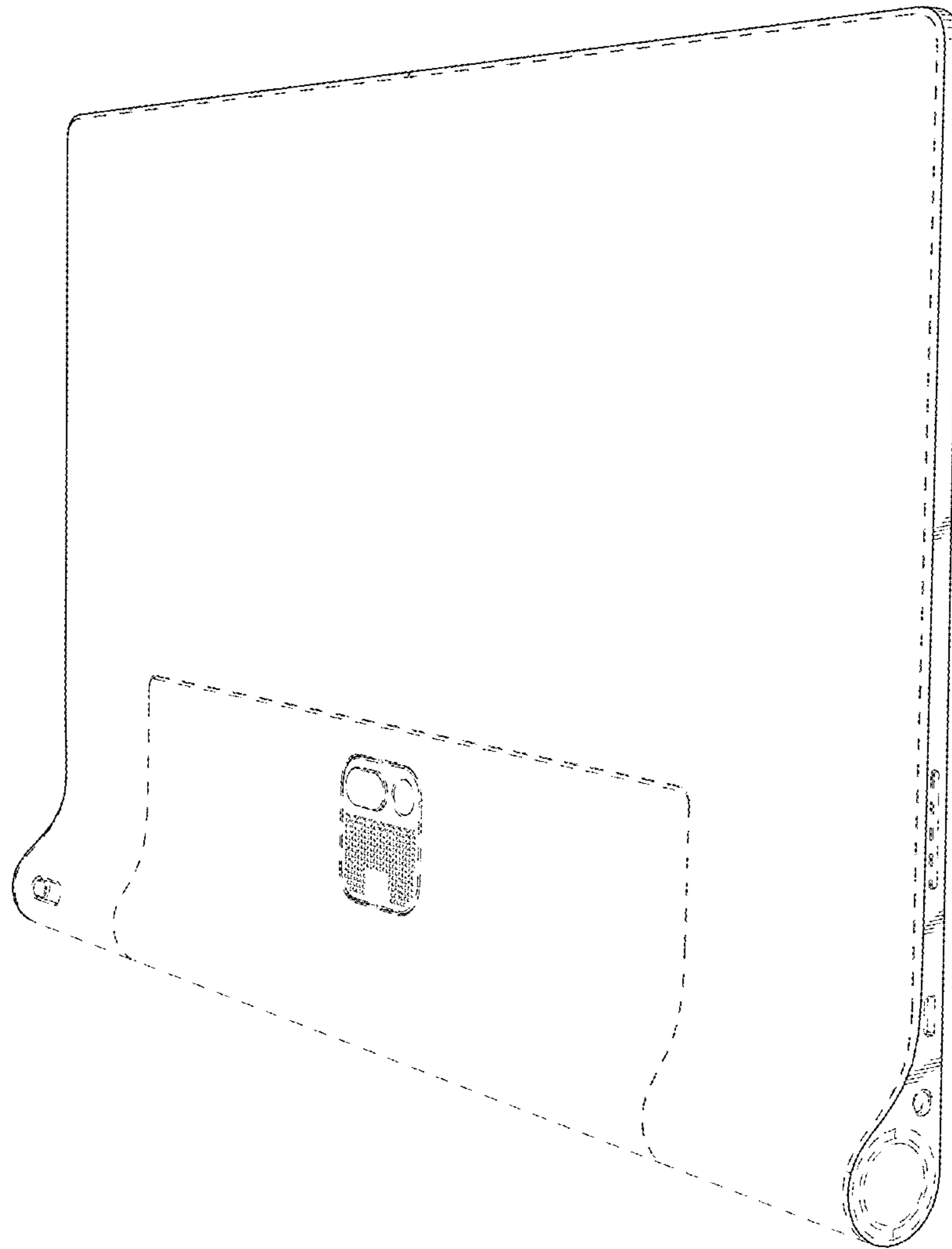


Figure. 4

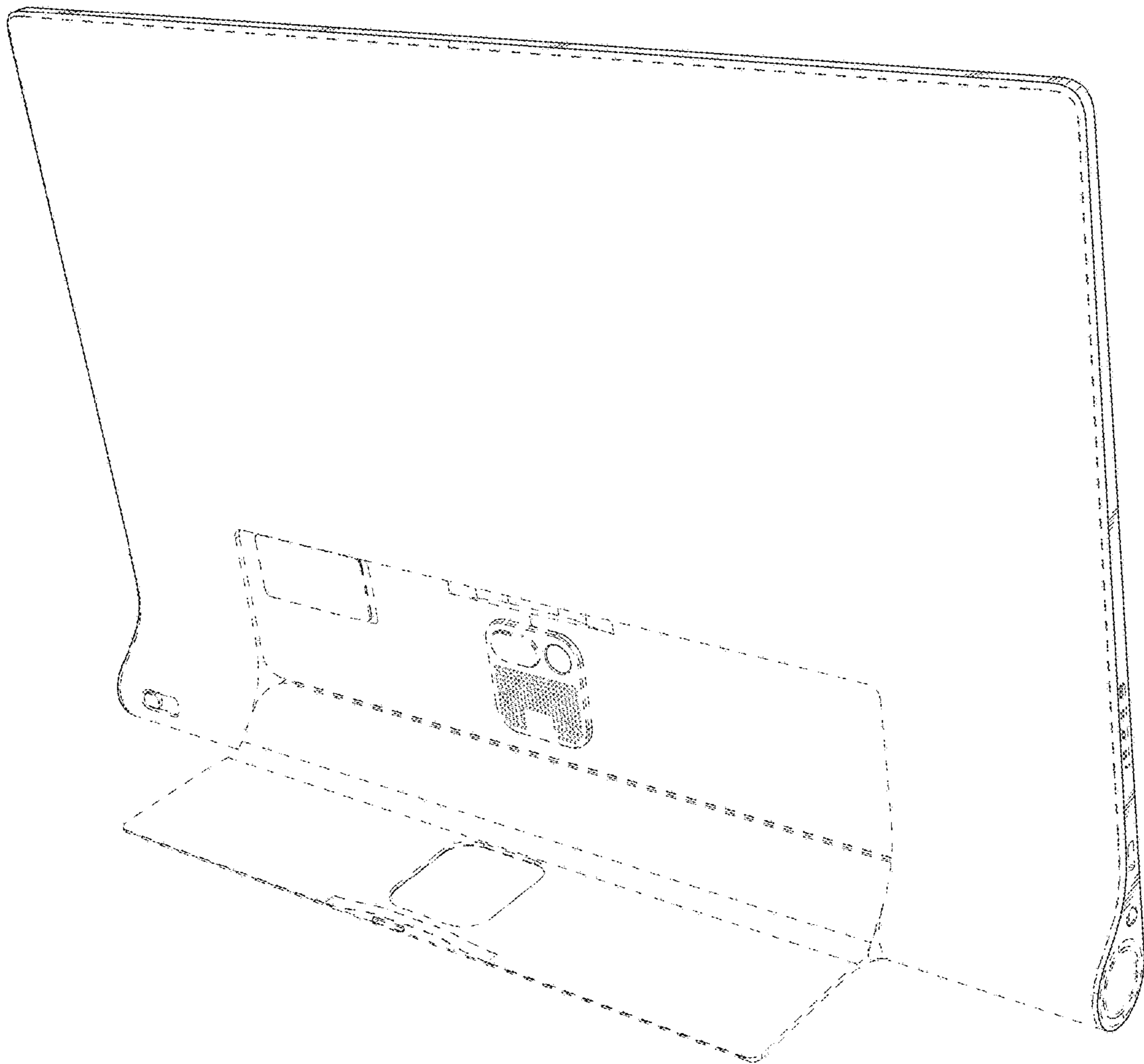


Figure. 5



Figure. 6





Figure. 7

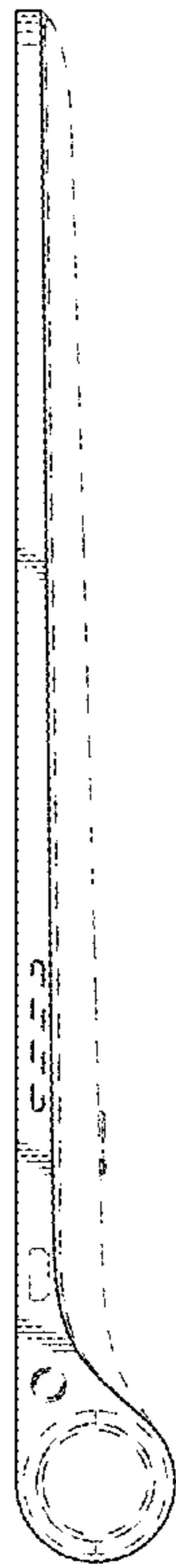


Figure. 8

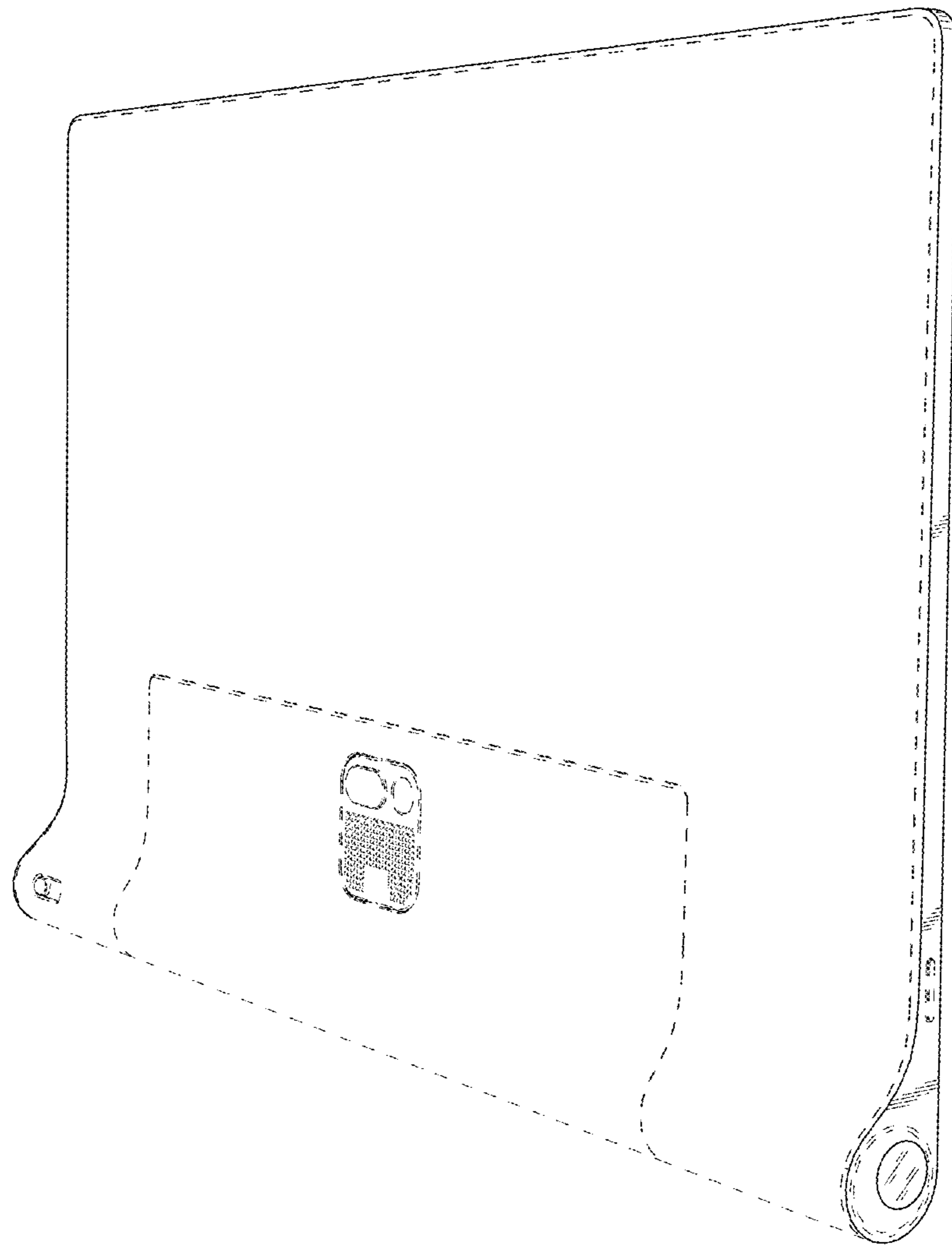


Figure. 9

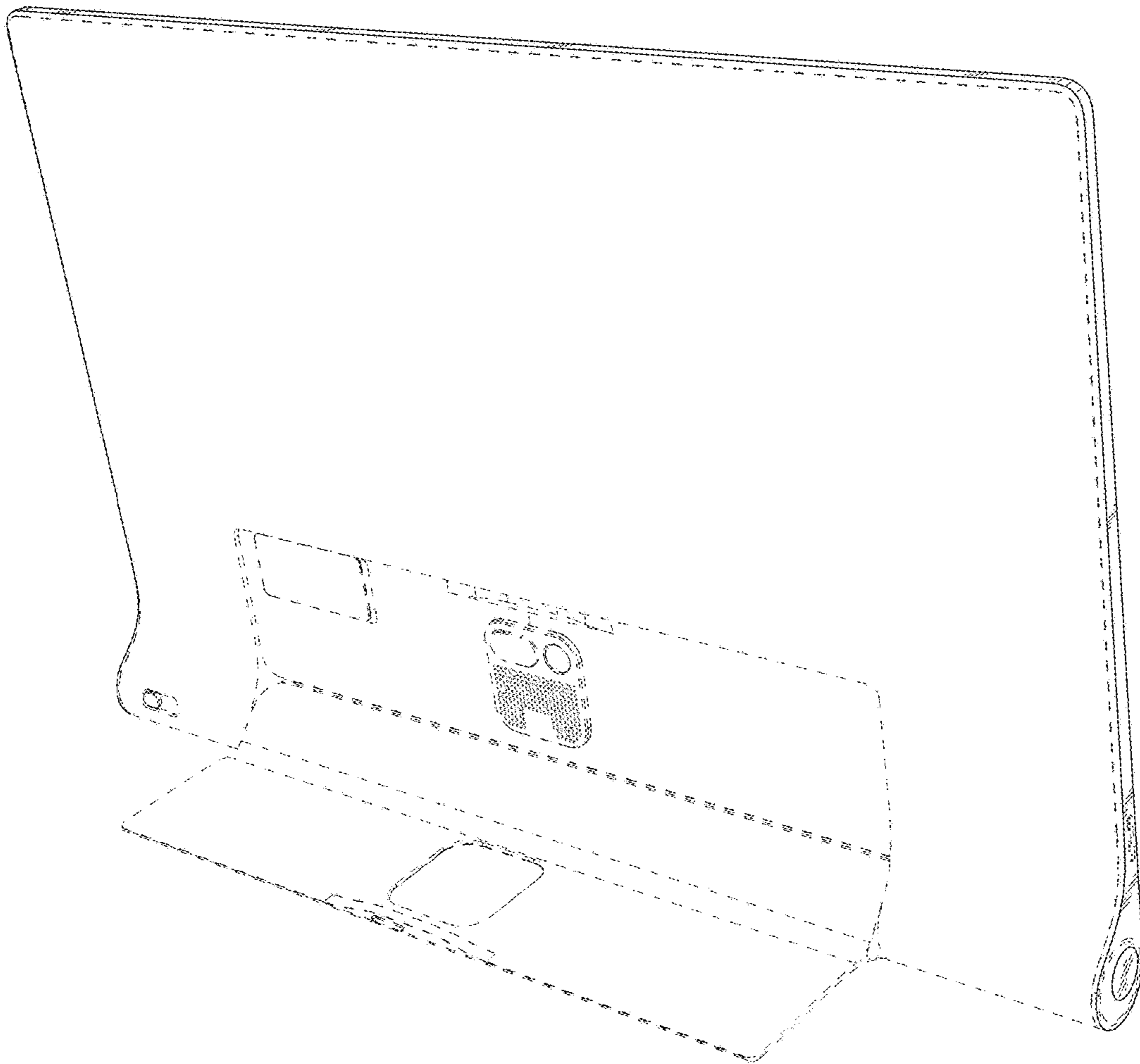


Figure. 10

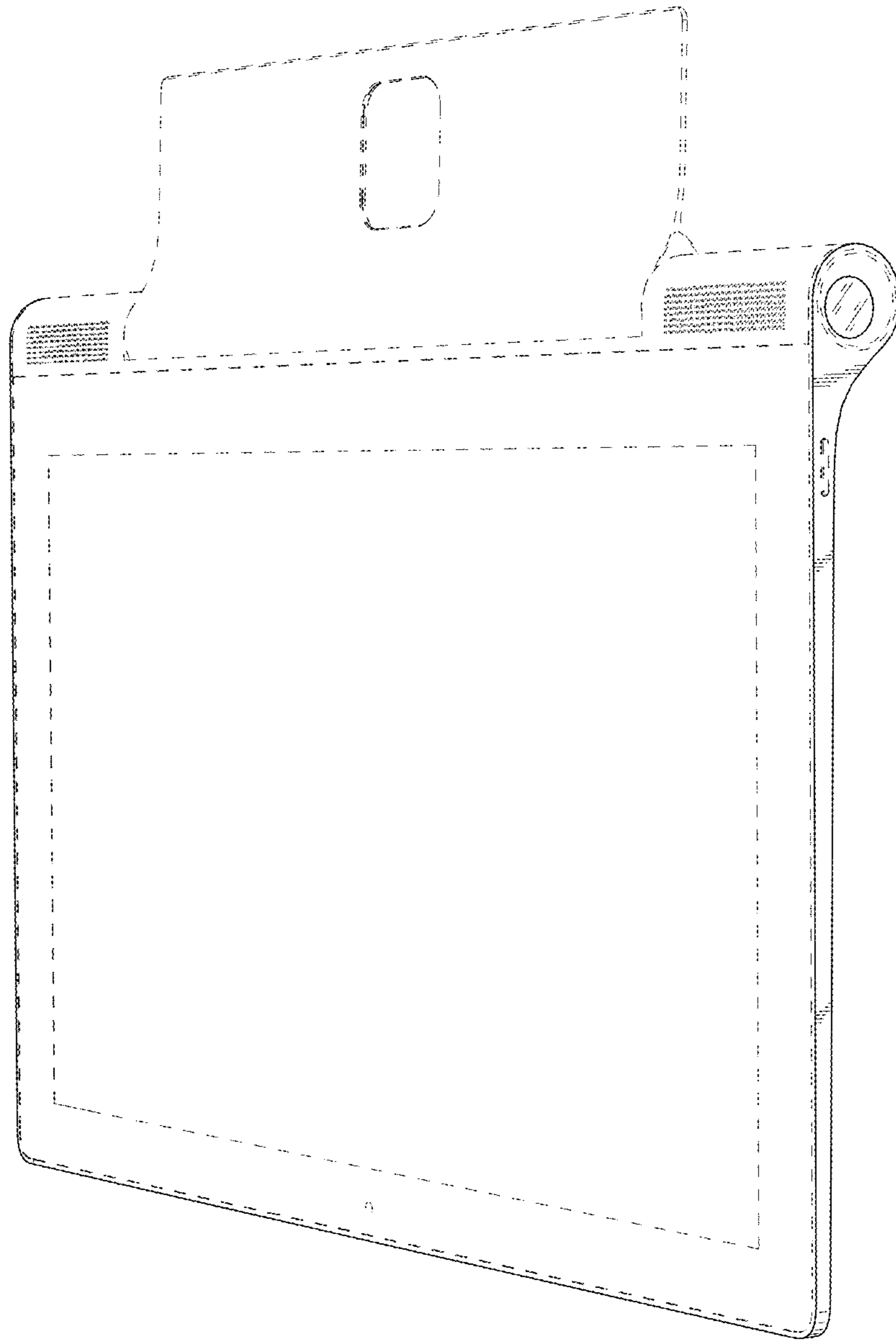


Figure. 11