



US00D799474S

(12) **United States Design Patent**
Menendez et al.

(10) **Patent No.:** **US D799,474 S**
(45) **Date of Patent:** **** Oct. 10, 2017**

(54) **INFORMATION HANDLING SYSTEM
SUPPORT HOUSING**

(71) Applicant: **Dell Products L.P.**, Round Rock, TX
(US)

(72) Inventors: **Mark D. Menendez**, Austin, TX (US);
Paul J. Doczy, Austin, TX (US)

(73) Assignee: **Dell Products, L.P.**, Round Rock, TX
(US)

(**) Term: **15 Years**

(21) Appl. No.: **29/573,969**

(22) Filed: **Aug. 11, 2016**

(51) **LOC (10) Cl.** **14-02**

(52) **U.S. Cl.**
USPC **D14/313**

(58) **Field of Classification Search**
USPC D14/240, 300, 301, 308, 313, 314,
D14/348-356, 364-368, 441-446, 188;
D13/110, 123, 133, 158, 162, 184, 199;
312/223.1-223.3, 351.11;
360/99.01-99.12; 369/34.01-36.01;
361/679.31-679.33, 679.37, 679.39,
361/679.46, 679.53, 679.4, 679.41, 727
CPC . G06F 1/20; G06F 1/181; G06F 1/187; G06F
1/183; G06F 1/184; G06F 1/16; H05K
7/16; H05K 7/1424; H05K 7/1409; H05K
7/20; H05K 7/20545; H05K 7/20727;
H05K 7/1425; H05K 7/1488; H05K
7/183; H05K 7/14; H05K 5/00; H05K
7/00; H05H 7/20; G11B 33/126; G11B
33/128; G11B 33/08; G11B 33/02
See application file for complete search history.

(56) **References Cited**

U.S. PATENT DOCUMENTS

4,935,717 A * 6/1990 Osawa H01H 85/0241
338/51
D337,114 S * 7/1993 Mantz D13/184

D343,395 S * 1/1994 Kakizaki D14/188
D352,275 S * 11/1994 Crawley D13/122
D379,174 S * 5/1997 Kornblum D13/123
D428,006 S * 7/2000 Sagues D14/356
D431,816 S * 10/2000 Beaumont D14/188
D464,327 S * 10/2002 Frank, Jr. D13/162
D684,151 S * 6/2013 Andersson D14/314
D707,197 S * 6/2014 Jaenecke D14/157
D737,817 S * 9/2015 Starck D14/365

* cited by examiner

Primary Examiner — Freda S Nunn

(74) *Attorney, Agent, or Firm* — Terrile, Cannatti,
Chambers & Holland, LLP; Robert W. Holland

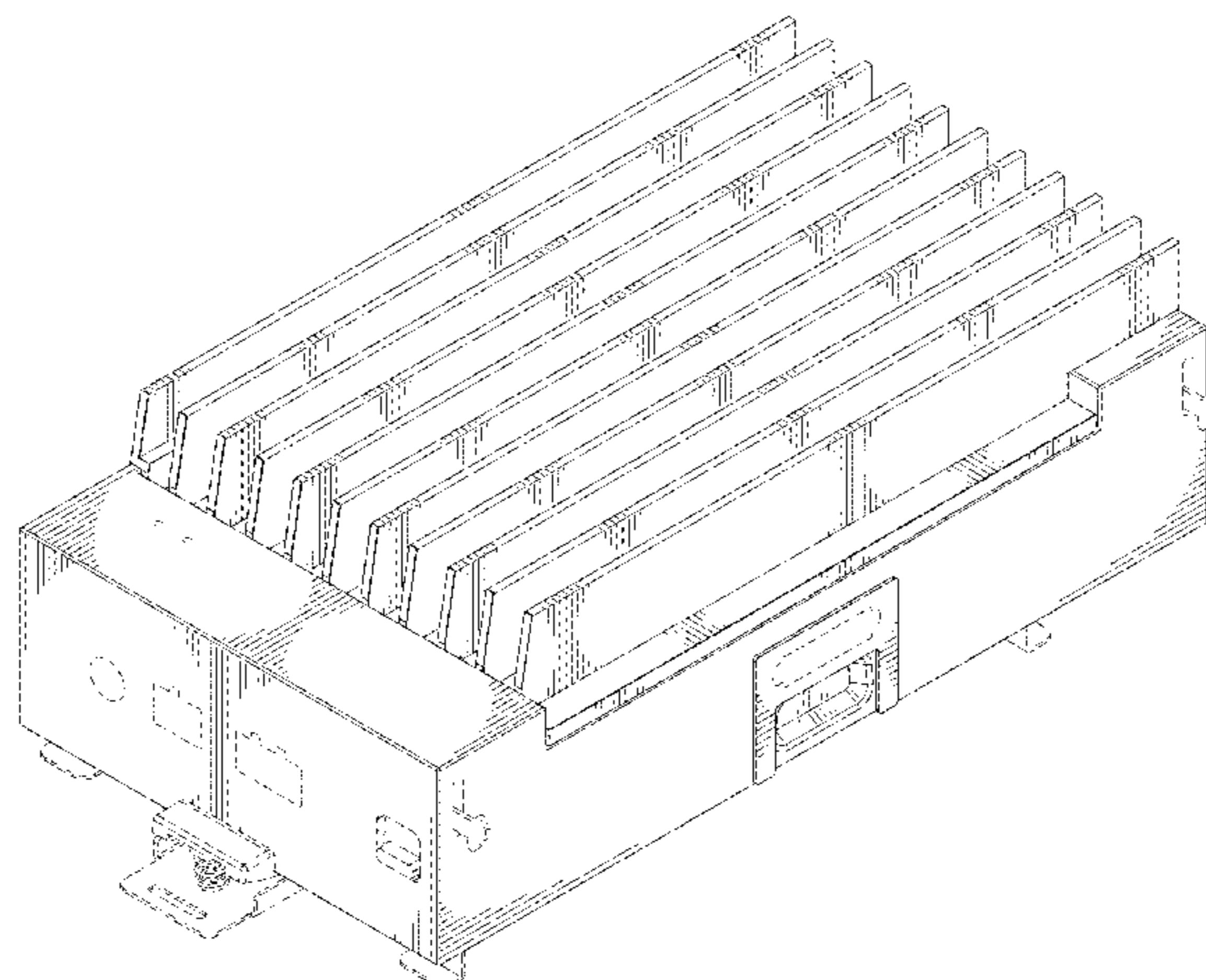
(57) **CLAIM**

The ornamental design for the information handling system support housing, shown and described.

DESCRIPTION

FIG. 1 is a front perspective view of the information handling system support housing comprising the present invention;
FIG. 2 is a bottom side view thereof;
FIG. 3 is a top side view thereof;
FIG. 4 is a right side view thereof;
FIG. 5 is a left side view thereof;
FIG. 6 is a top view thereof;
FIG. 7 is a bottom view thereof; and,
FIG. 8 is a side perspective view thereof aligned with other types of support housings.
Broken lines shown in the drawings illustrate portions of the information handling system support housing, and form no part of the claimed design.

1 Claim, 7 Drawing Sheets



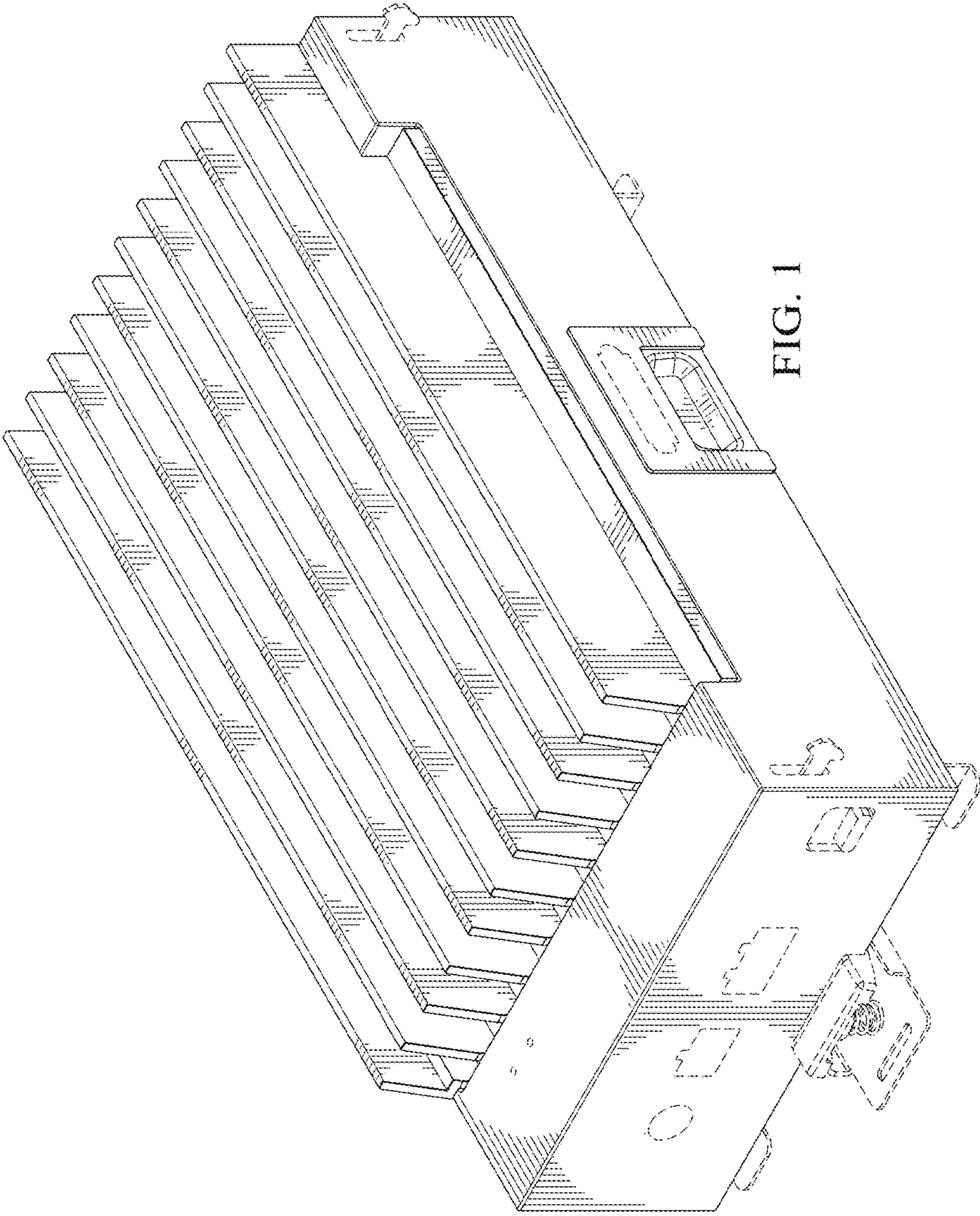


FIG. 1

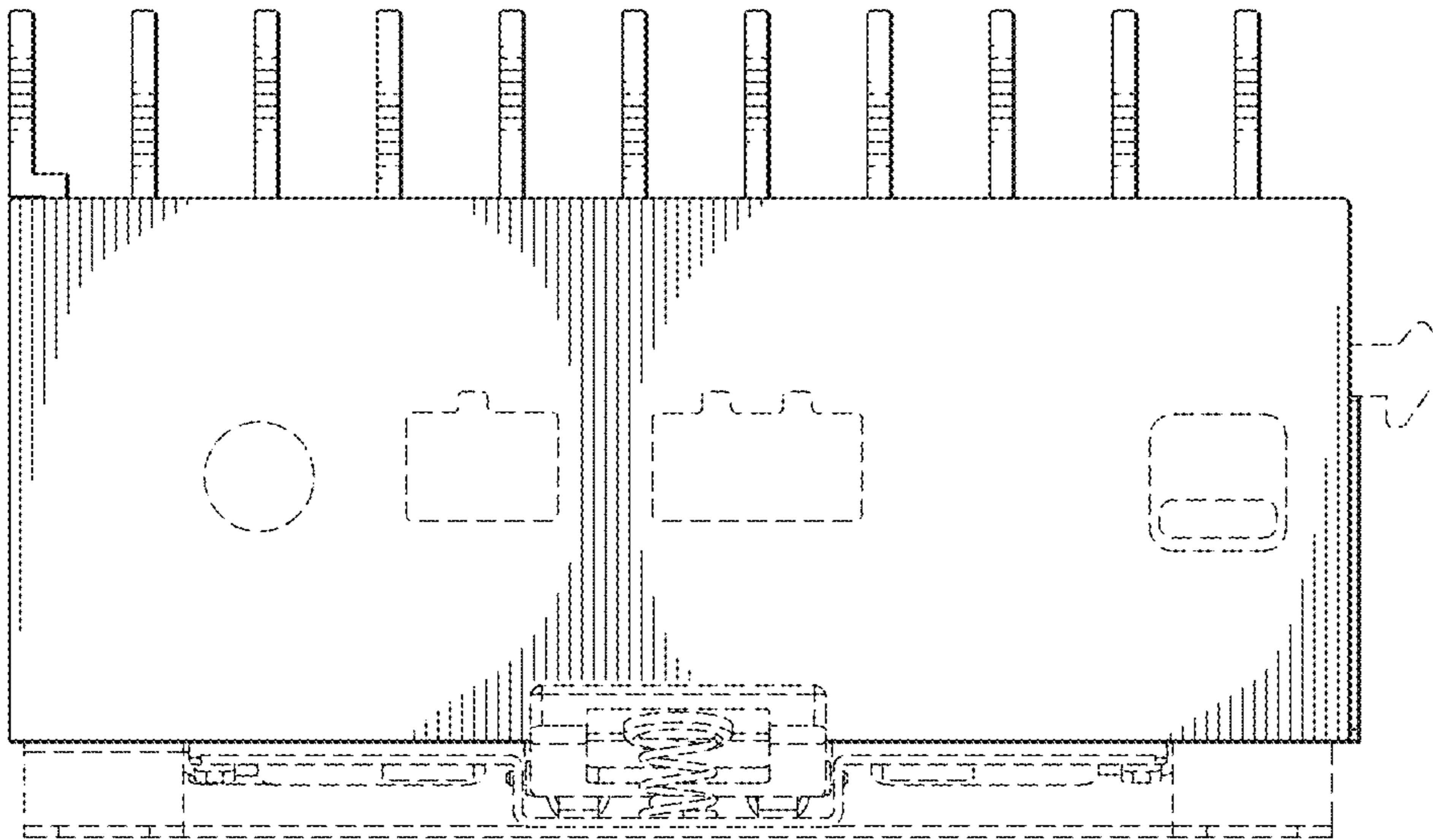


FIG. 2

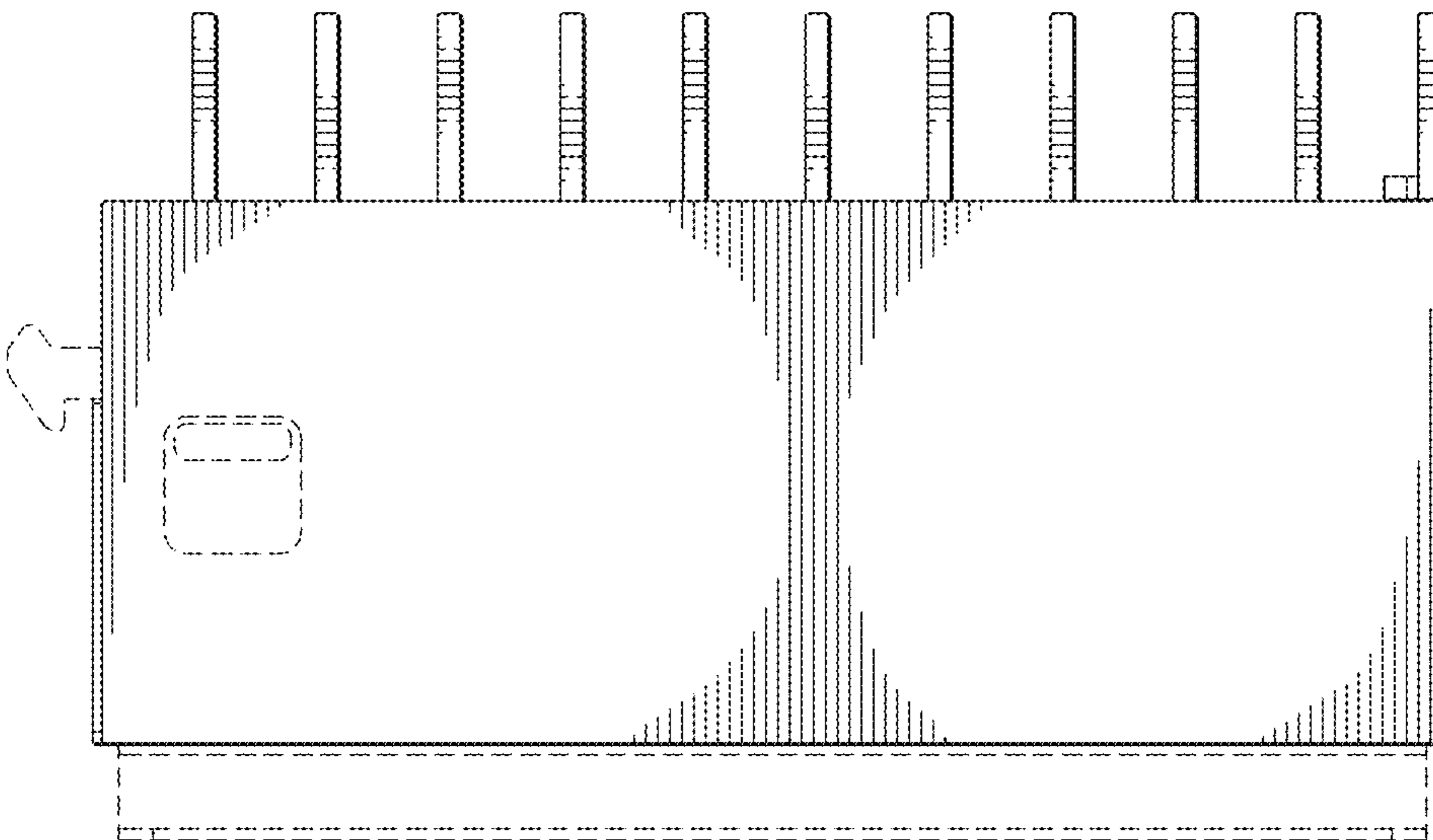


FIG. 3

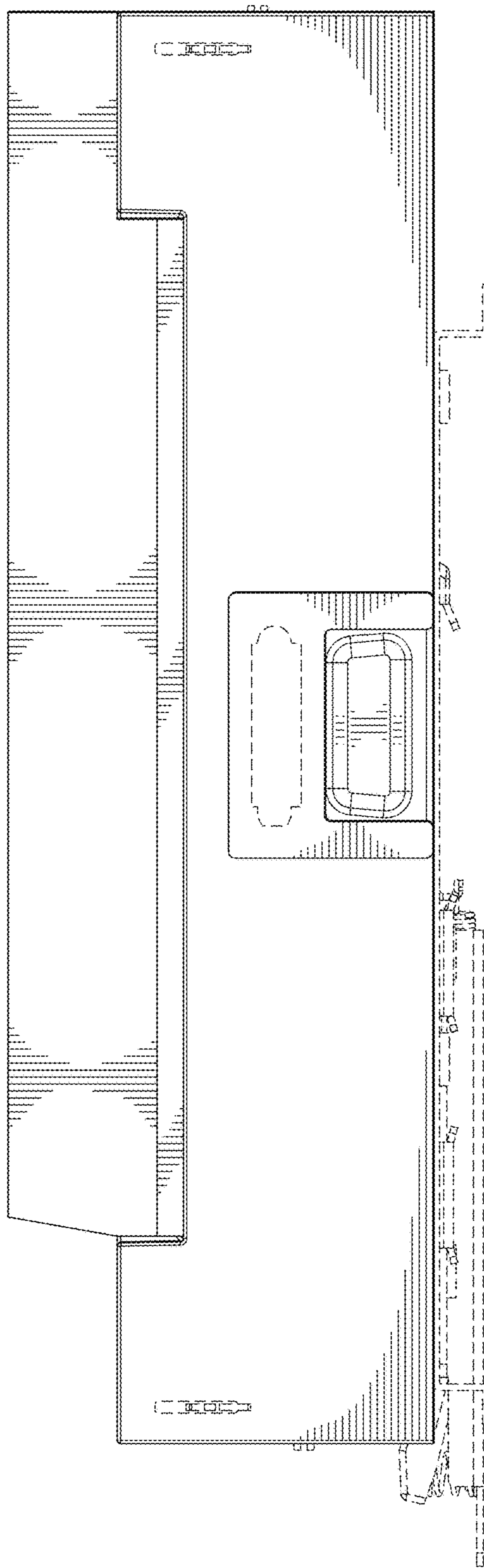


FIG. 4

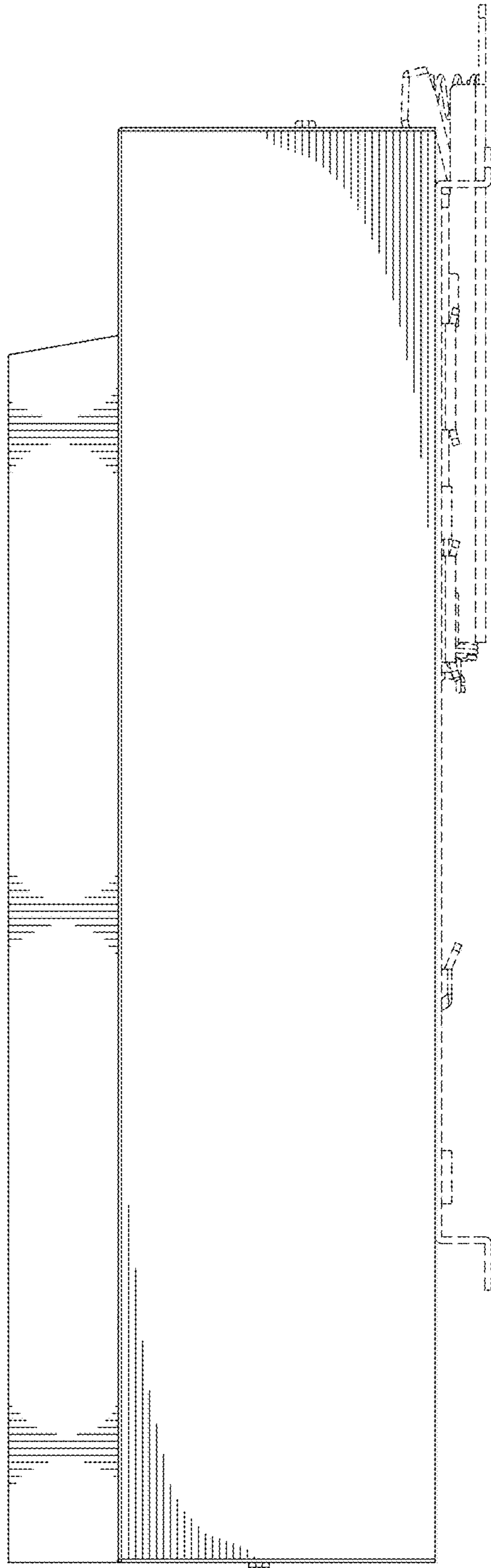


FIG. 5

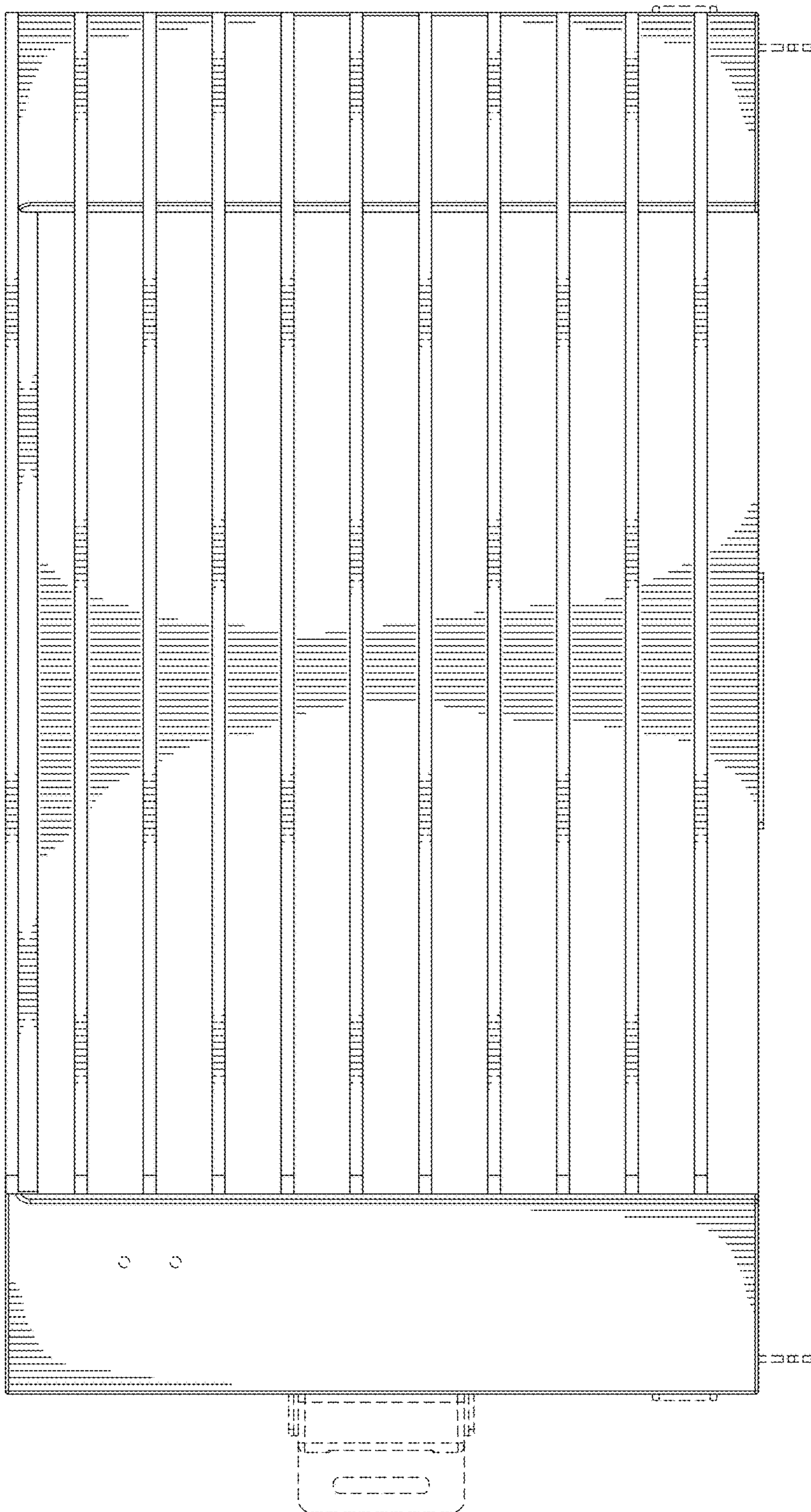


FIG. 6

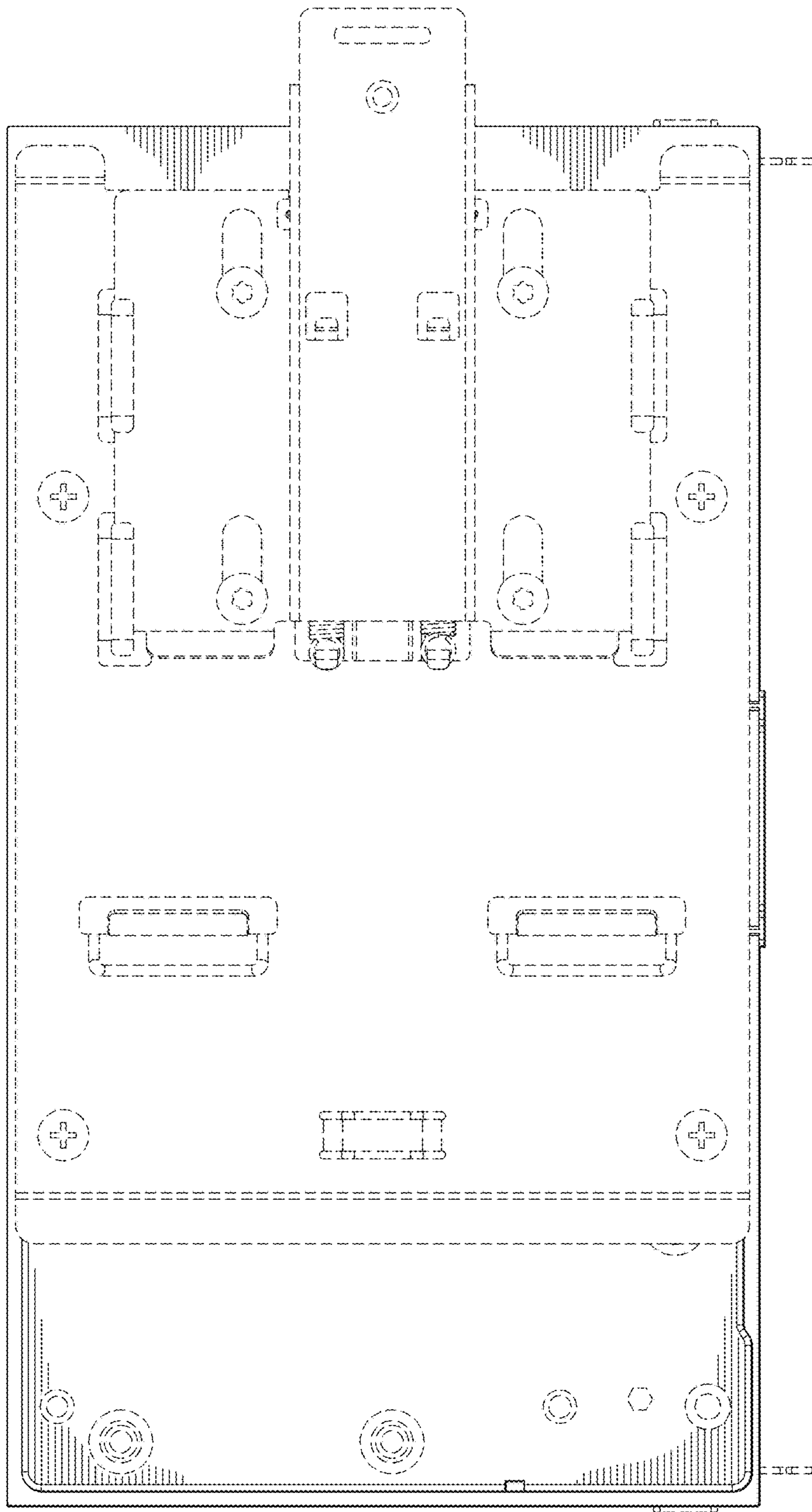


FIG. 7

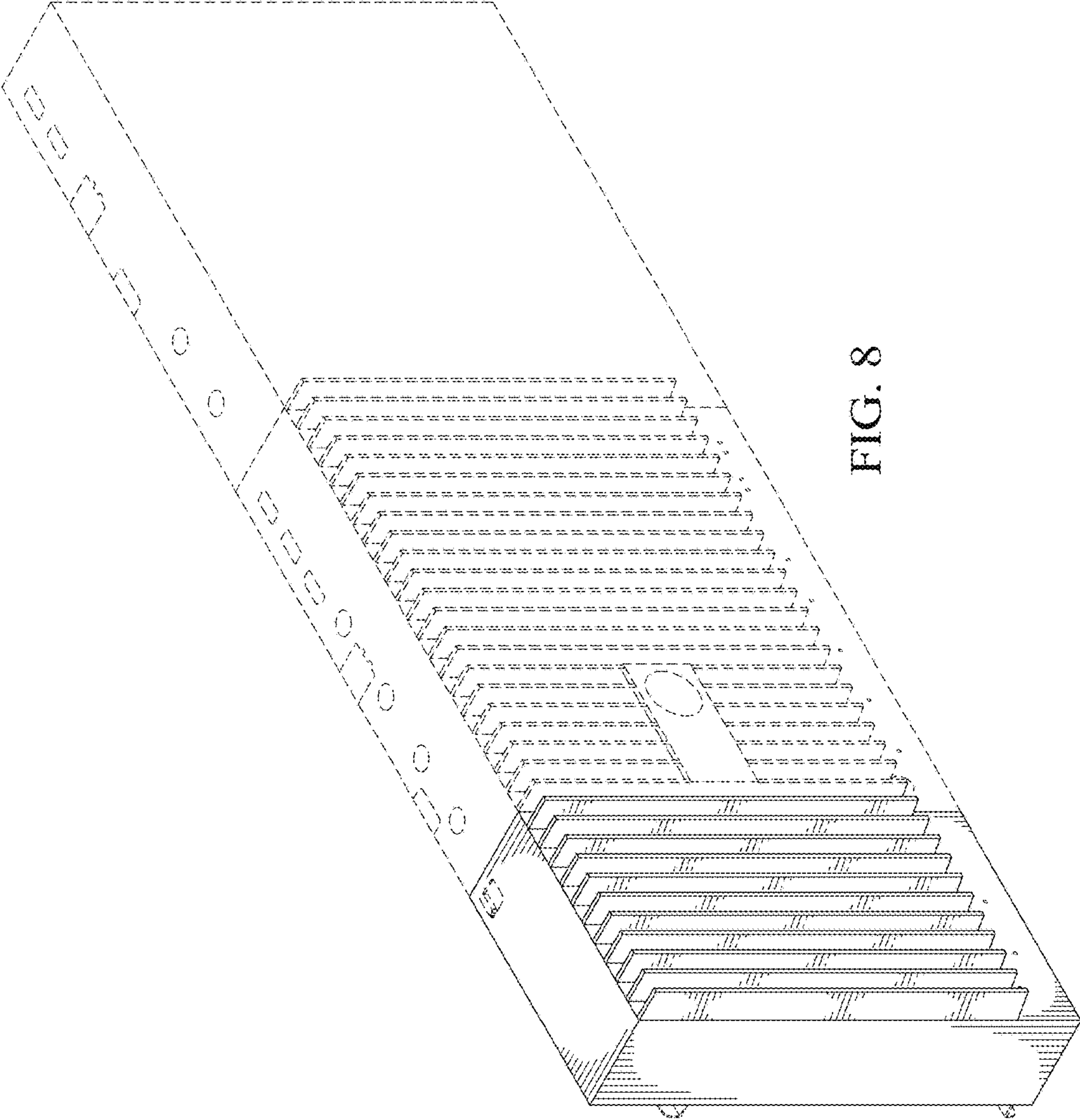


FIG. 8