



US00D799473S

(12) **United States Design Patent** (10) **Patent No.:** **US D799,473 S**  
**Brown et al.** (45) **Date of Patent:** **\*\* Oct. 10, 2017**

(54) **MULTIFUNCTION KIOSK**  
(71) Applicant: **XEROX CORPORATION**, Norwalk, CT (US)  
(72) Inventors: **Donald A Brown**, Honeoye Falls, NY (US); **Britt Ashcraft**, Hermosa Beach, CA (US)  
(73) Assignee: **Xerox Corporation**, Norwalk, CT (US)  
(\*\*) Term: **15 Years**

D707,674 S \* 6/2014 Daniel ..... D14/307  
D727,307 S \* 4/2015 Kraft ..... D14/307  
D727,308 S \* 4/2015 Kraft ..... D14/307  
D742,870 S \* 11/2015 Berini ..... G06F 21/32  
D14/307  
D743,956 S \* 11/2015 Kraft ..... D14/307  
D751,061 S \* 3/2016 Berini ..... D14/307  
D752,032 S \* 3/2016 Taylor ..... D14/307  
D760,711 S \* 7/2016 Berini ..... D14/307  
D769,864 S \* 10/2016 Hoffmann ..... D14/307  
D781,279 S \* 3/2017 Horn, II ..... D14/307  
D781,843 S \* 3/2017 Horn, II ..... D14/307  
D788,098 S \* 5/2017 Thornton ..... D14/307  
D792,388 S \* 7/2017 Taylor ..... D14/307

(21) Appl. No.: **29/587,944**

\* cited by examiner

(22) Filed: **Dec. 16, 2016**

*Primary Examiner* — Austin Murphy

(51) **LOC (10) Cl.** ..... **14-02**

(57) **CLAIM**

(52) **U.S. Cl.**  
USPC ..... **D14/307**

The ornamental design for a multifunction kiosk, as shown and described.

(58) **Field of Classification Search**

**DESCRIPTION**

USPC ..... D14/302-307, 900-902; D13/163;  
D20/10; D21/332, 325, 369, 370;  
D99/28; D6/397, 466; 194/206;  
361/679.01, 679.02, 679.04, 679.21,  
361/679.57, 725  
CPC ..... G06Q 20/18; G06Q 20/10; G06Q 20/123;  
G06Q 20/20; G06Q 30/02; G06Q 30/06;  
A47F 9/047  
See application file for complete search history.

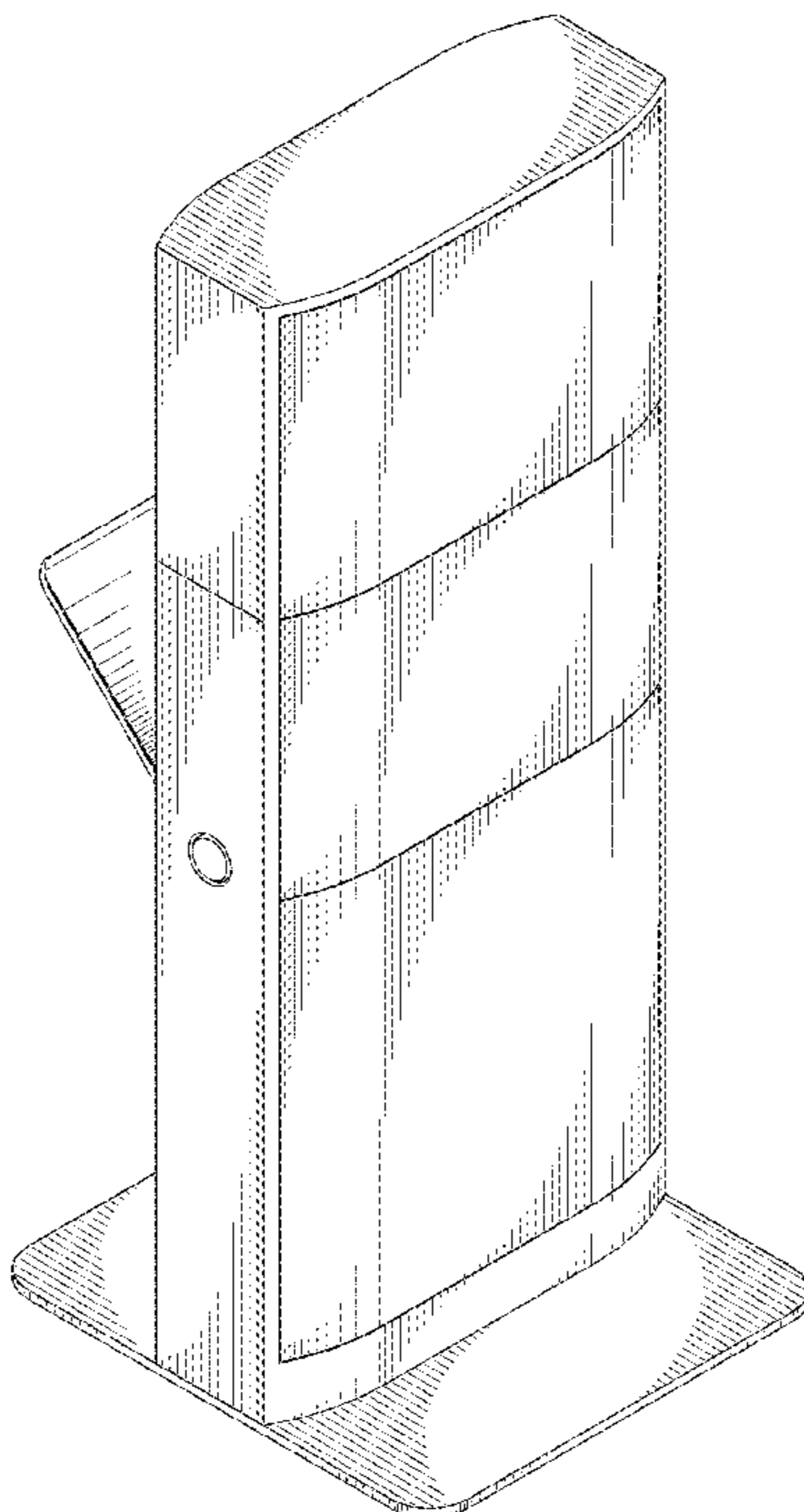
FIG. 1 is a perspective view of a multifunction kiosk in accordance with the present invention;  
FIG. 2 is a front view thereof;  
FIG. 3 is a right side view thereof;  
FIG. 4 is a rear view thereof;  
FIG. 5 is a left side view thereof;  
FIG. 6 is a top plan view thereof; and,  
FIG. 7 is a bottom plan view thereof.  
The broken lines in the drawings depict environmental subject matter, are for illustrative purposes only and form no part of the claimed design.

(56) **References Cited**

**U.S. PATENT DOCUMENTS**

D590,387 S \* 4/2009 Chen ..... D14/307  
D695,285 S \* 12/2013 Smith ..... D14/307

**1 Claim, 6 Drawing Sheets**



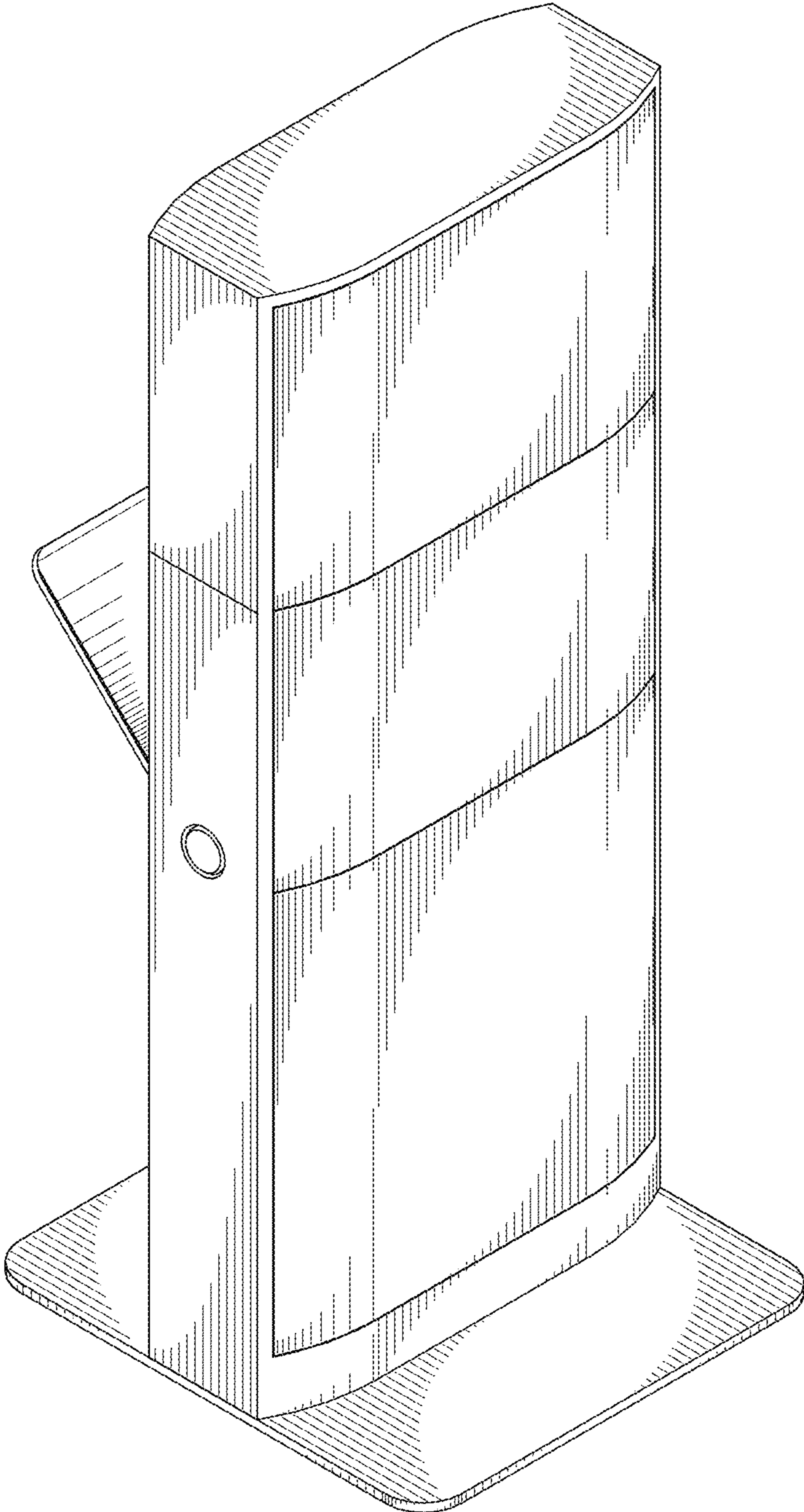


FIG. 1

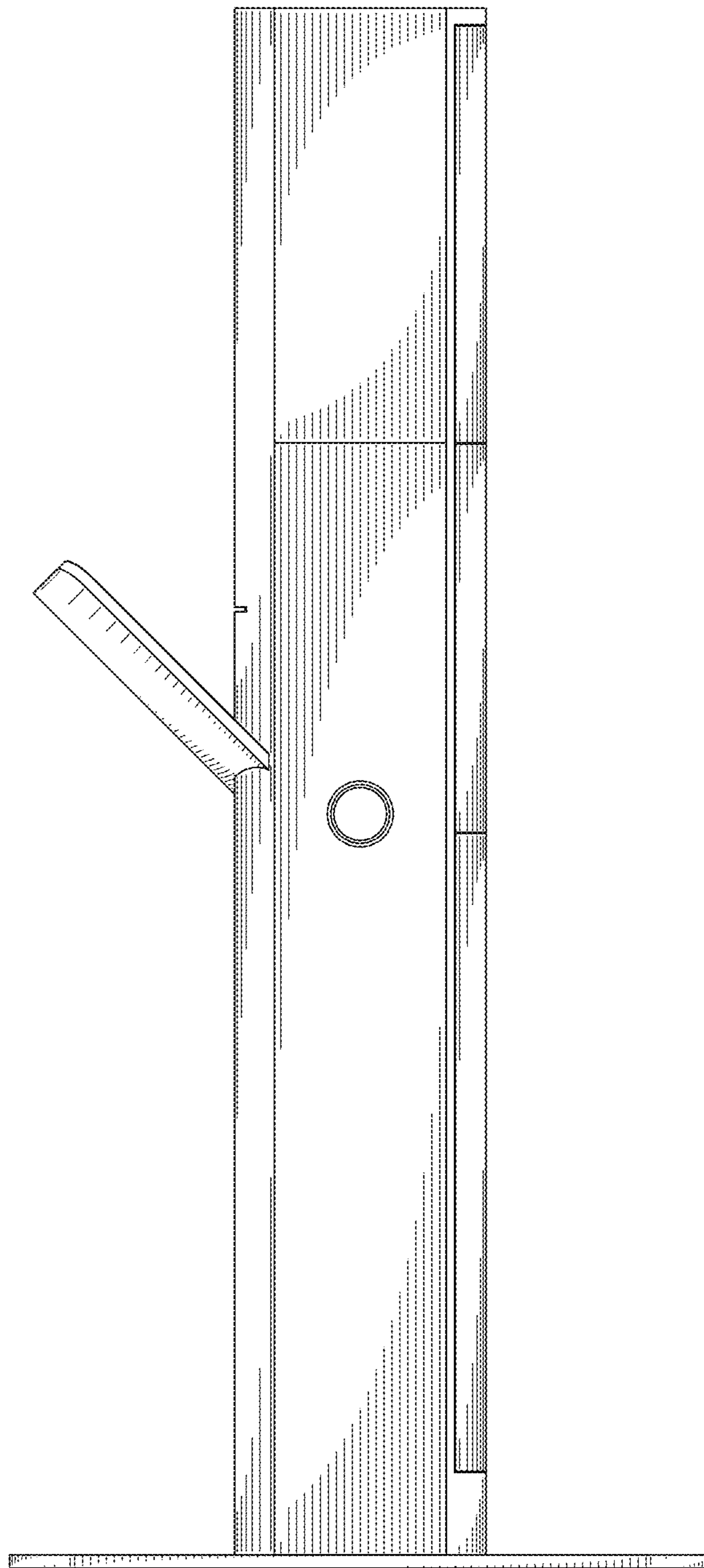


FIG. 2

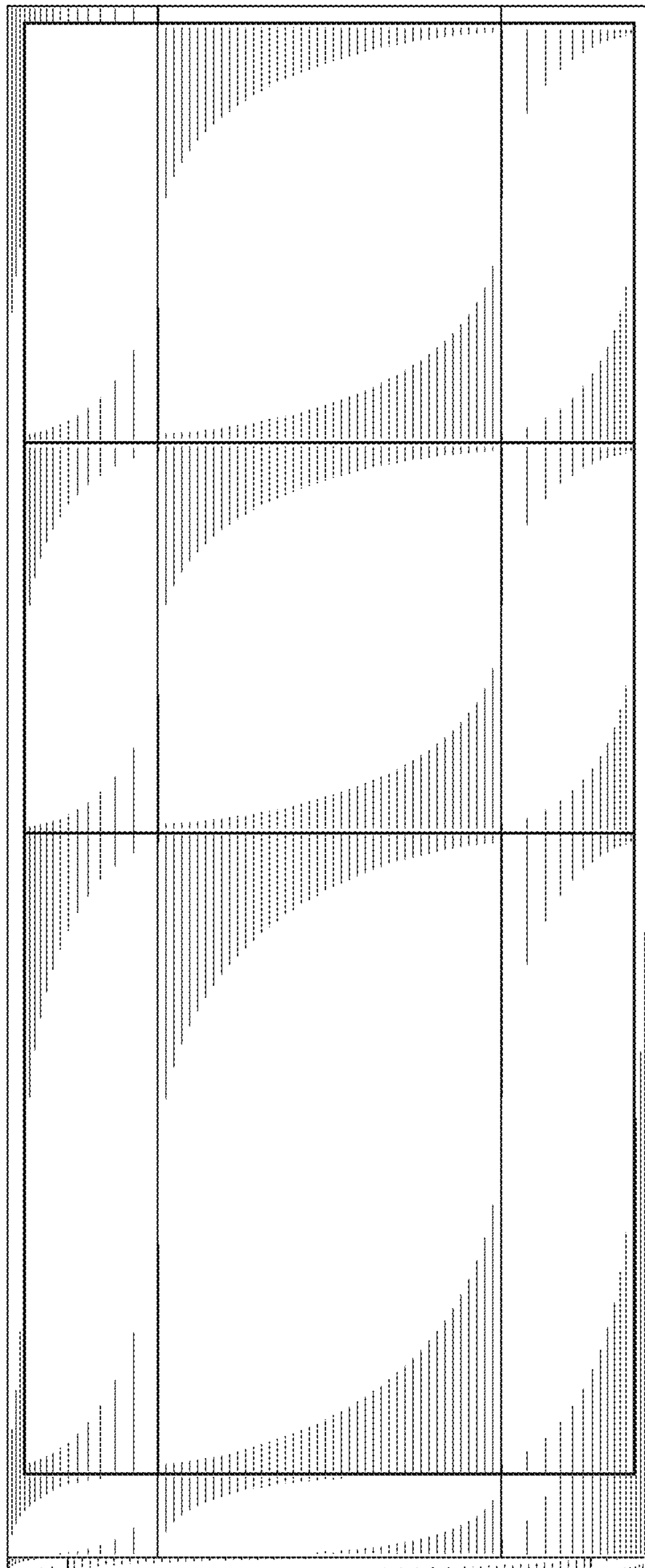


FIG. 3

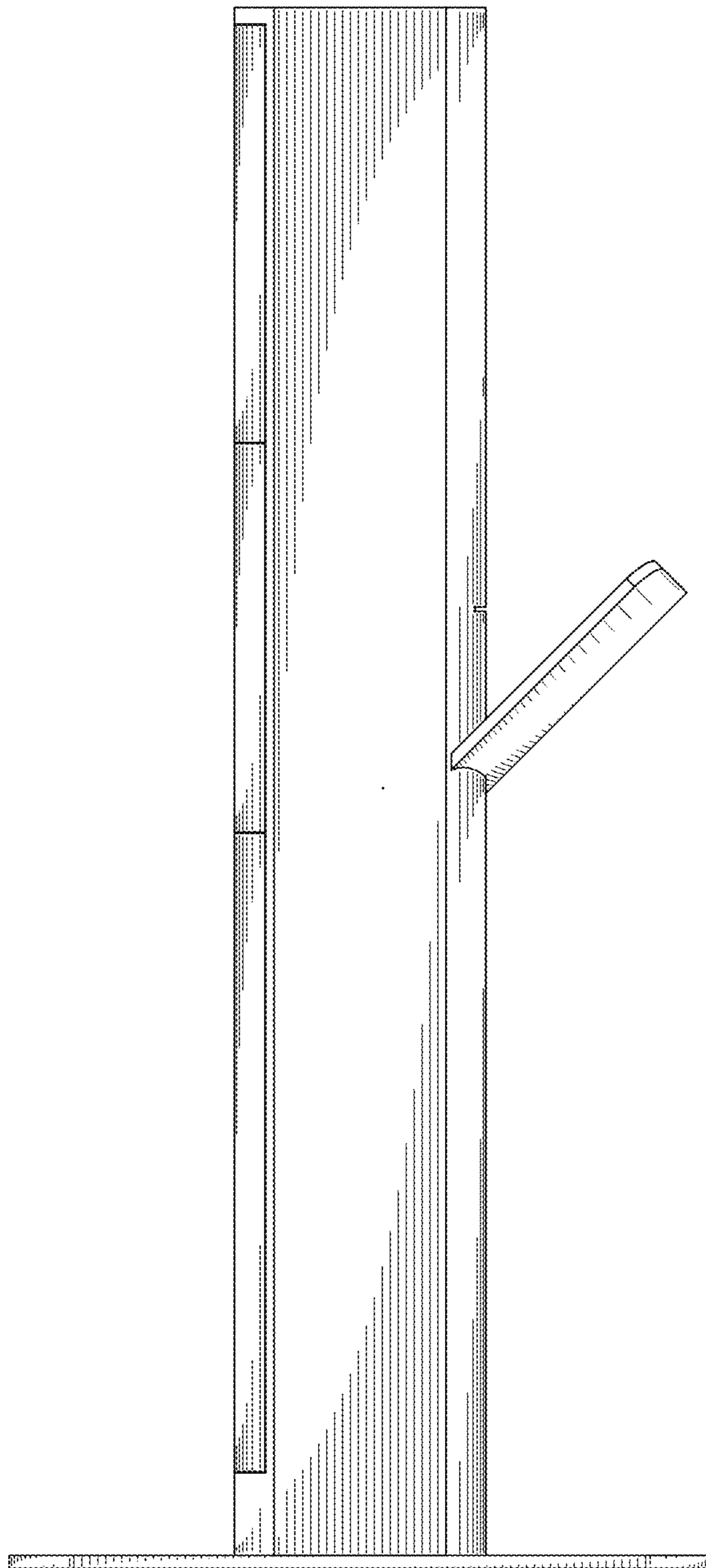


FIG. 4

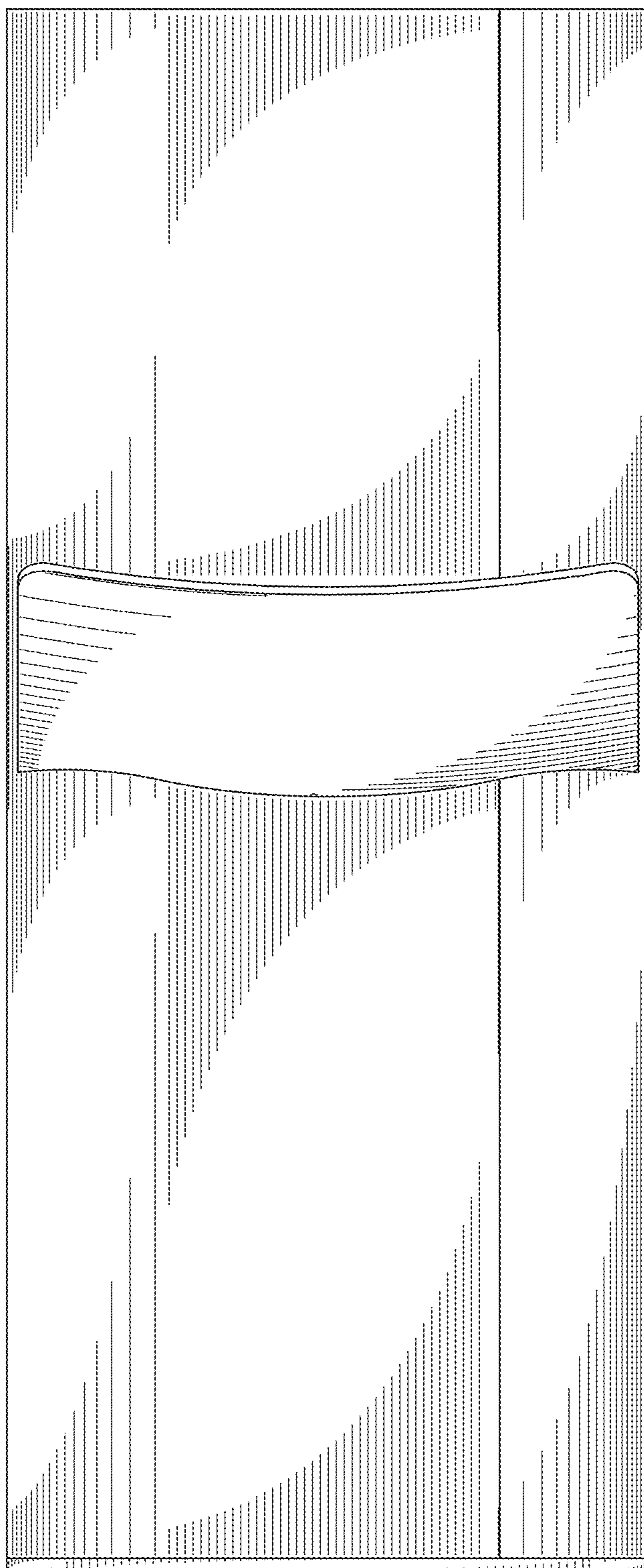


FIG. 5

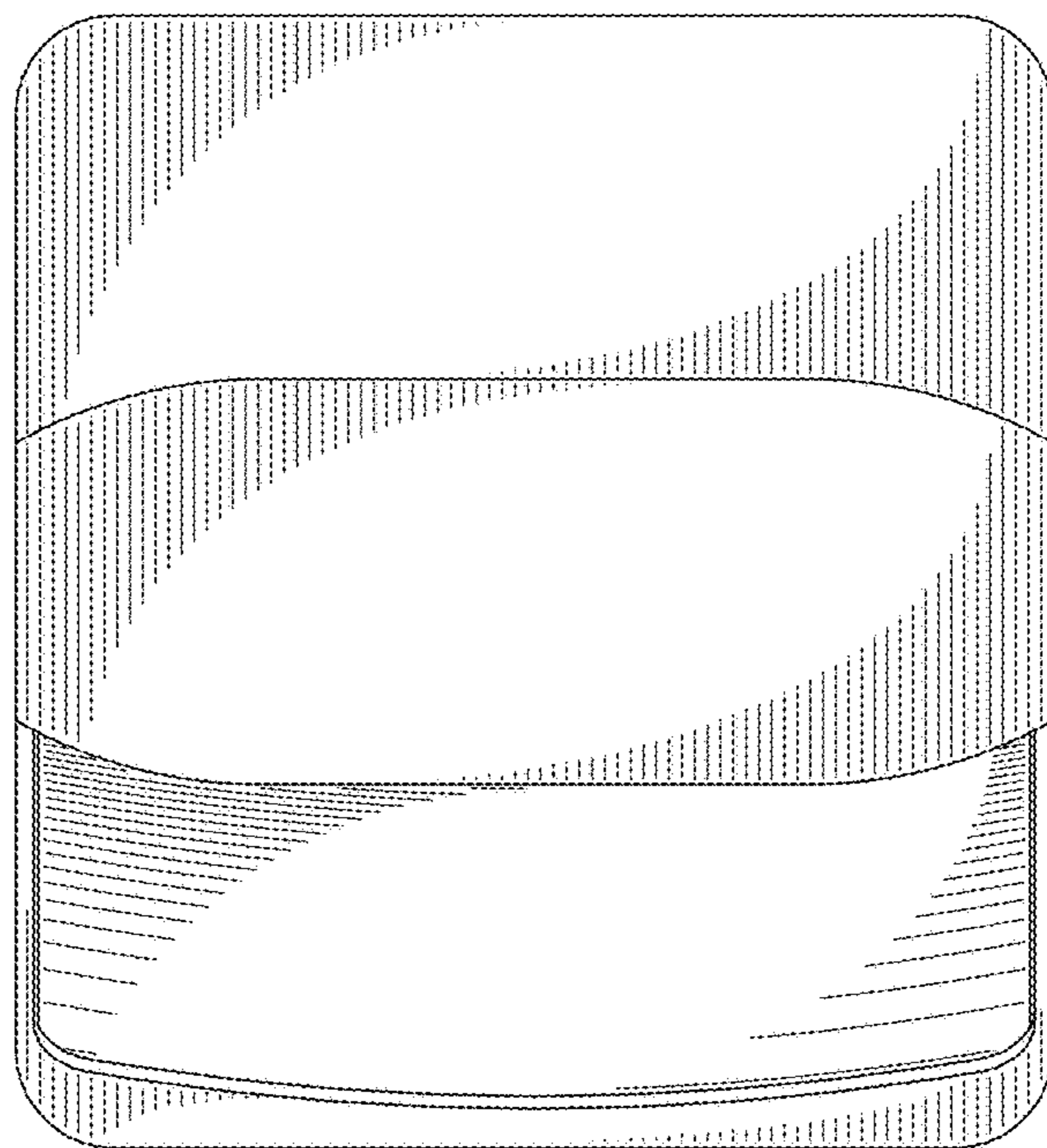


FIG. 6

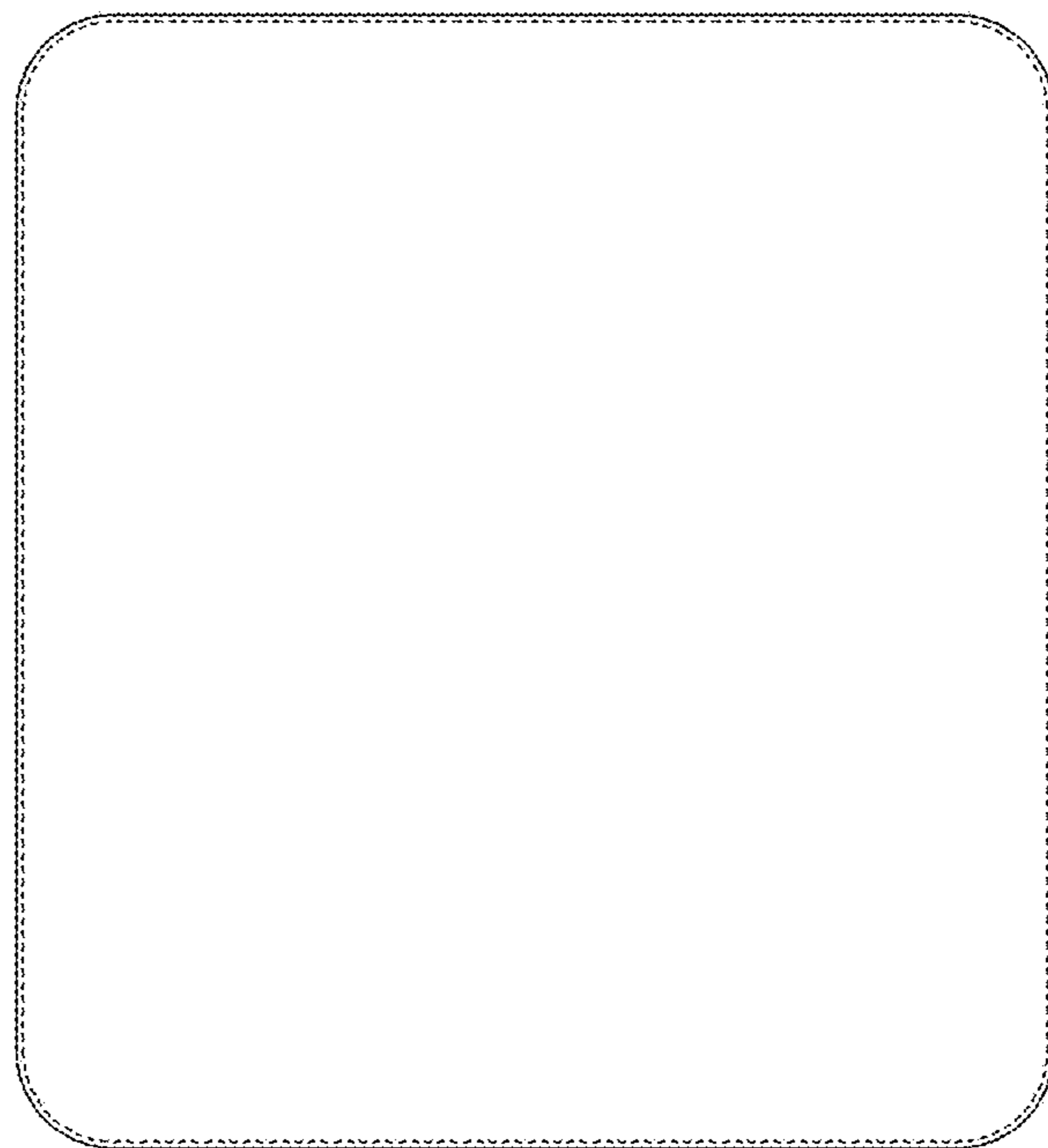


FIG. 7