



US00D799472S

(12) **United States Design Patent**
Brown et al.

(10) **Patent No.:** **US D799,472 S**
(45) **Date of Patent:** **** Oct. 10, 2017**

(54) **MULTIFUNCTION KIOSK**

(71) Applicant: **XEROX CORPORATION**, Norwalk, CT (US)

(72) Inventors: **Donald A Brown**, Honeoye Falls, NY (US); **James Gresko**, Rochester, NY (US); **Tyler W Porter**, Honeoye Falls, NY (US)

(73) Assignee: **Xerox Corporation**, Norwalk, CT (US)

(**) Term: **15 Years**

(21) Appl. No.: **29/587,933**

(22) Filed: **Dec. 16, 2016**

(51) **LOC (10) Cl.** **14-02**

(52) **U.S. Cl.**
USPC **D14/307**

(58) **Field of Classification Search**
USPC D14/302-307, 900-902; D13/163;
D20/10; D21/332, 325, 369, 370;
D99/28; D6/397, 466; 194/206;
361/679.01, 679.02, 679.04, 679.21,
361/679.57, 725

CPC G06Q 20/18; G06Q 20/10; G06Q 20/123;
G06Q 20/20; G06Q 30/02; G06Q 30/06;
A47F 9/047

See application file for complete search history.

(56) **References Cited**

U.S. PATENT DOCUMENTS

D590,387 S * 4/2009 Chen D14/307
D695,285 S * 12/2013 Smith D14/307

D707,674 S * 6/2014 Daniel D14/307
D727,307 S * 4/2015 Kraft D14/307
D727,308 S * 4/2015 Kraft D14/307
D742,870 S * 11/2015 Berini G06F 21/32
D14/307
D743,956 S * 11/2015 Kraft D14/307
D751,061 S * 3/2016 Berini D14/307
D752,032 S * 3/2016 Taylor D14/307
D760,711 S * 7/2016 Berini D14/307
D769,864 S * 10/2016 Hoffmann D14/307
D781,279 S * 3/2017 Horn, II D14/307
D781,843 S * 3/2017 Horn, II D14/307
D788,098 S * 5/2017 Thornton D14/307
D792,388 S * 7/2017 Taylor D14/307

* cited by examiner

Primary Examiner — Austin Murphy

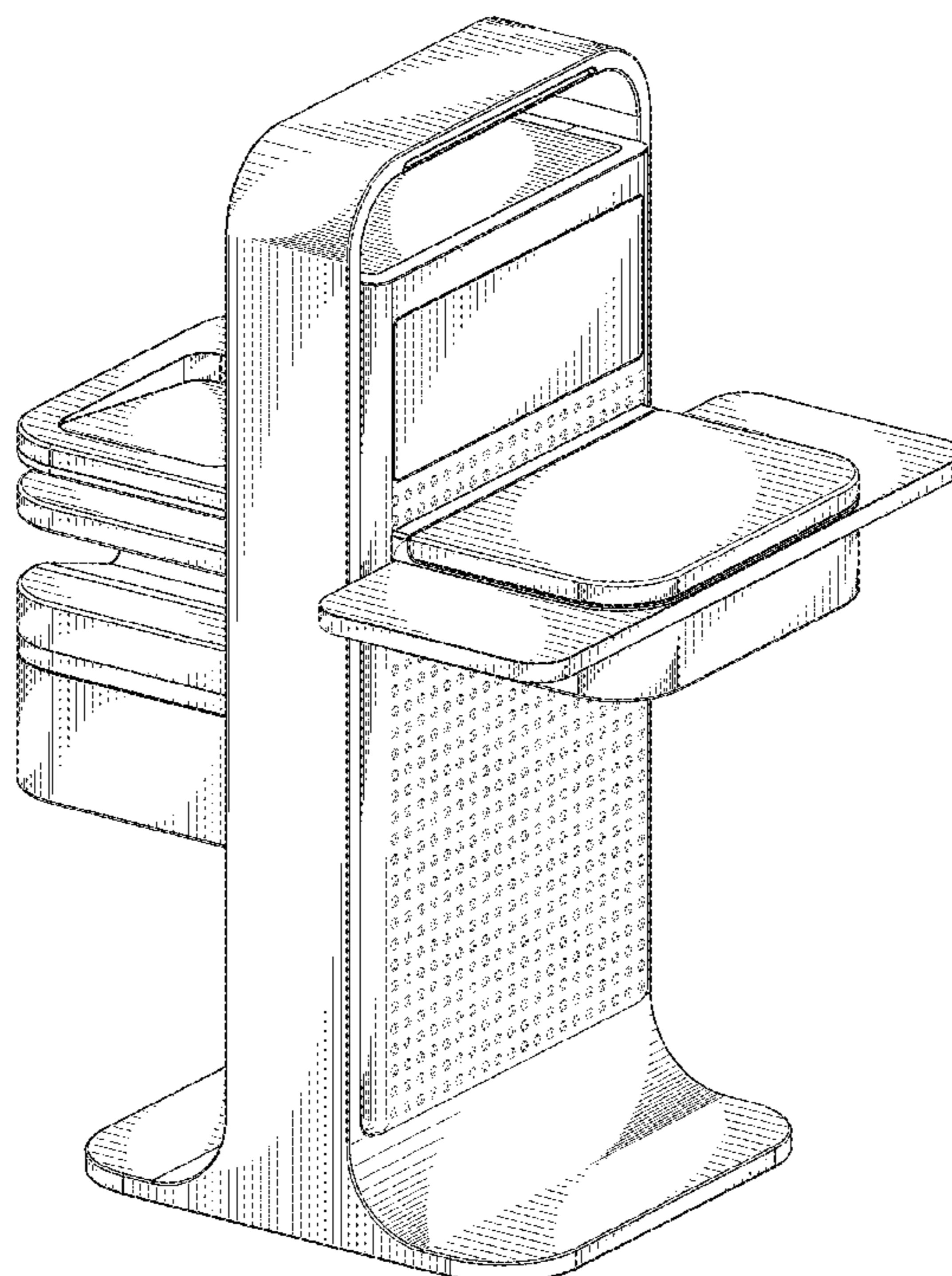
(57) **CLAIM**

The ornamental design for a multifunction kiosk, as shown and described.

DESCRIPTION

FIG. 1 is a perspective view of a multifunction kiosk in accordance with the present invention; FIG. 2 is a front view thereof; FIG. 3 is a right side view thereof; FIG. 4 is a rear view thereof; FIG. 5 is a left side view thereof; FIG. 6 is a top plan view thereof; and, FIG. 7 is a bottom plan view thereof. The broken lines in the drawings depict environmental subject matter, are for illustrative purposes only and form no part of the claimed design.

1 Claim, 7 Drawing Sheets



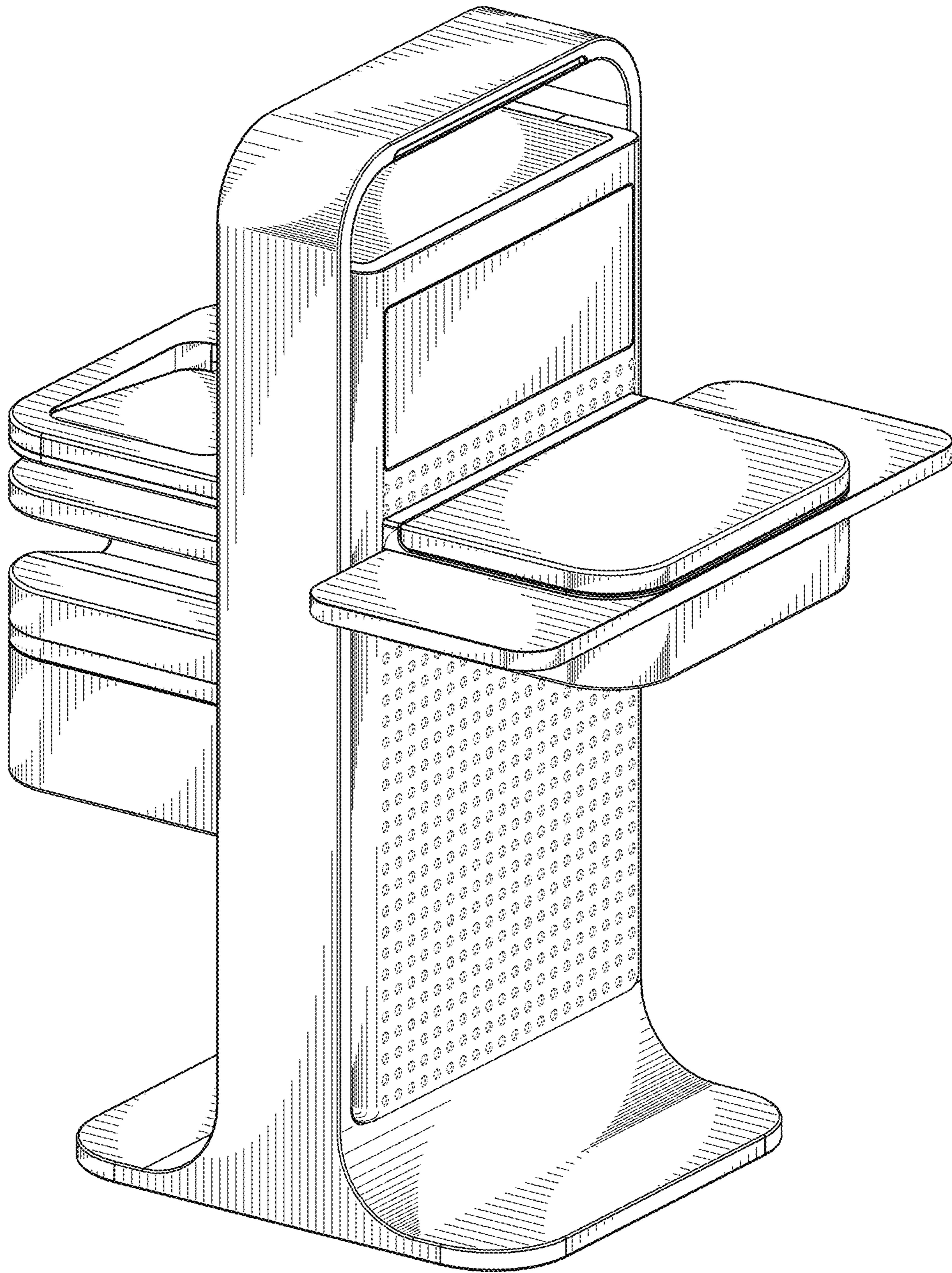


FIG. 1

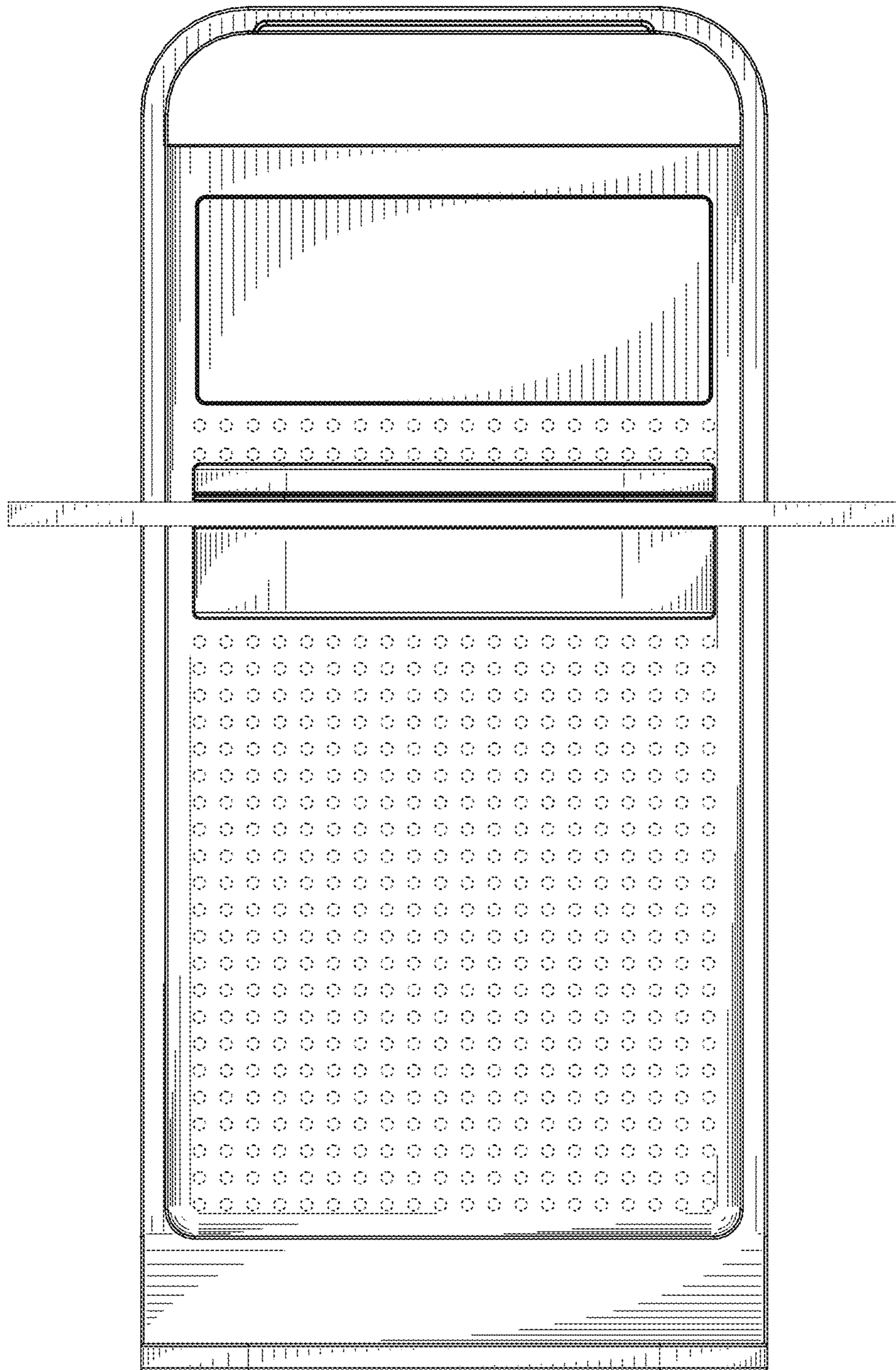


FIG. 2

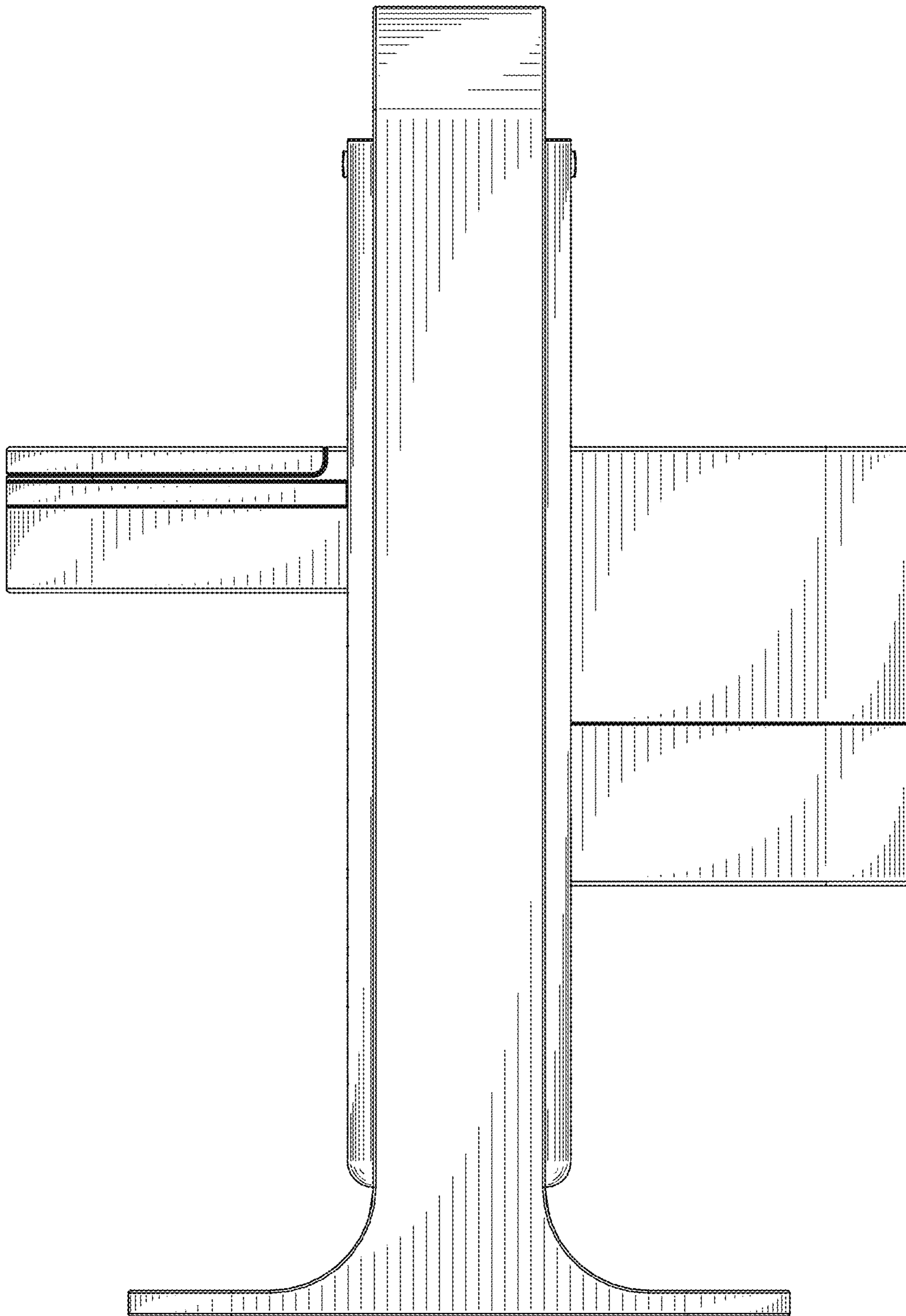


FIG. 3

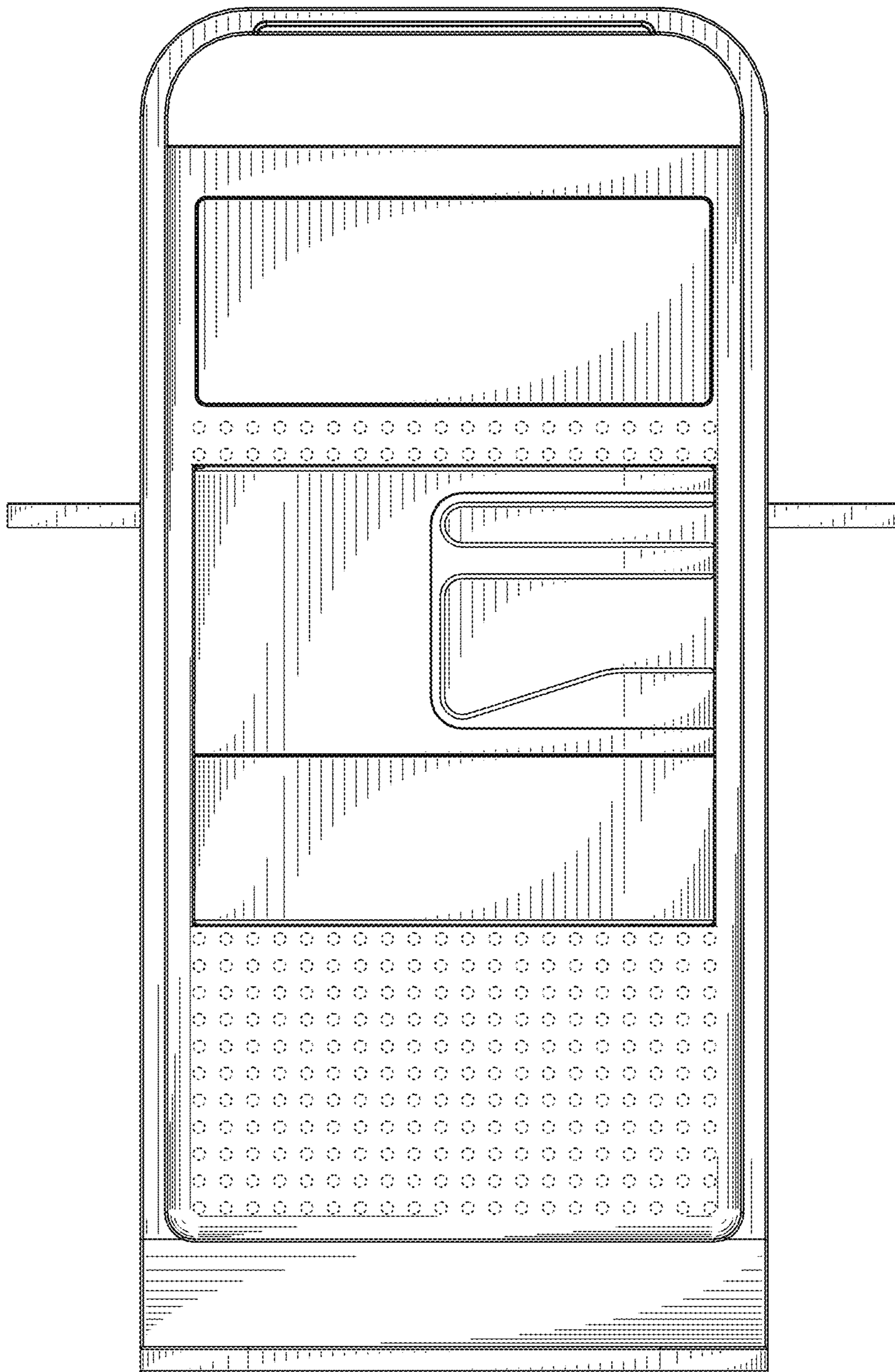


FIG. 4

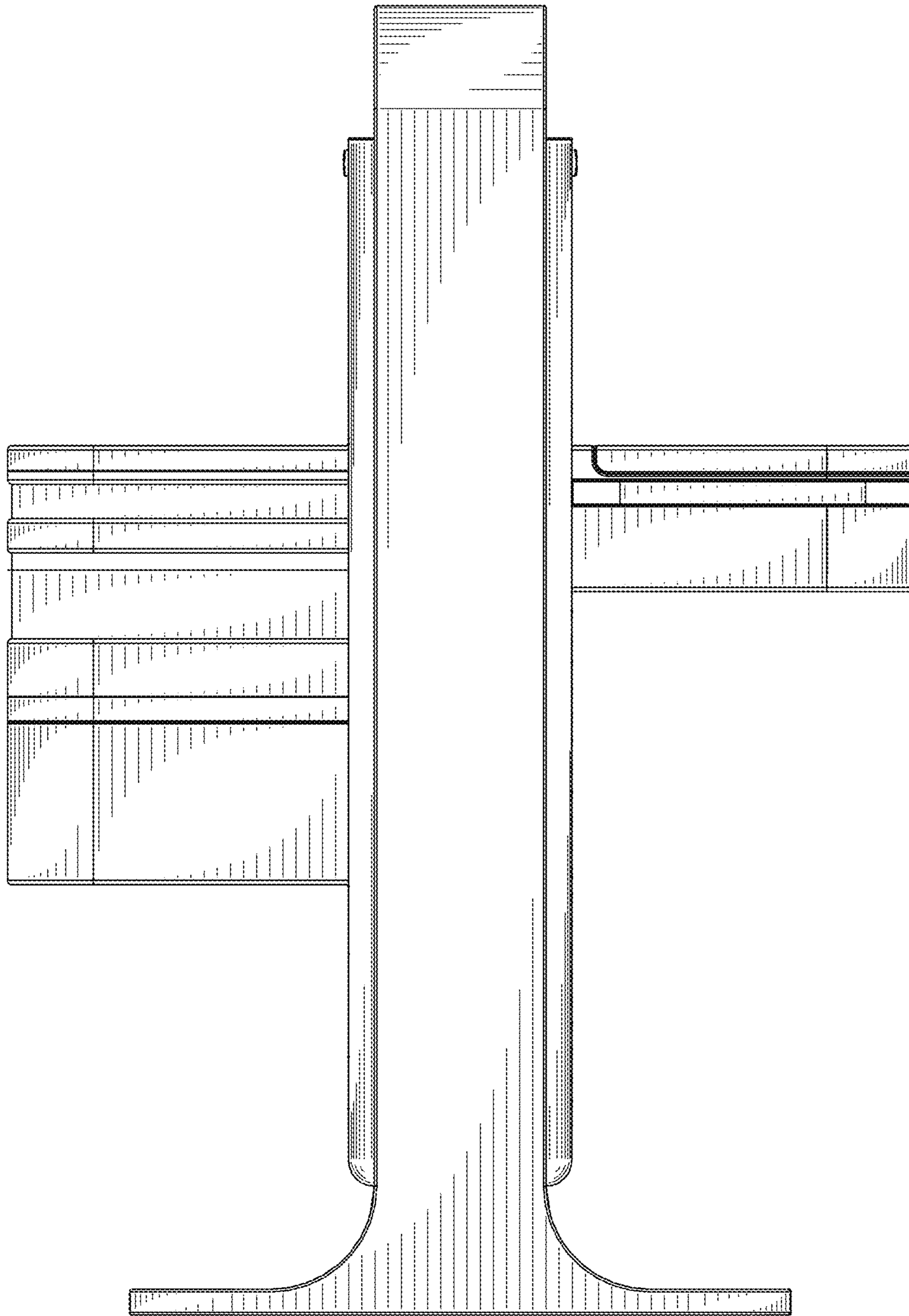


FIG. 5

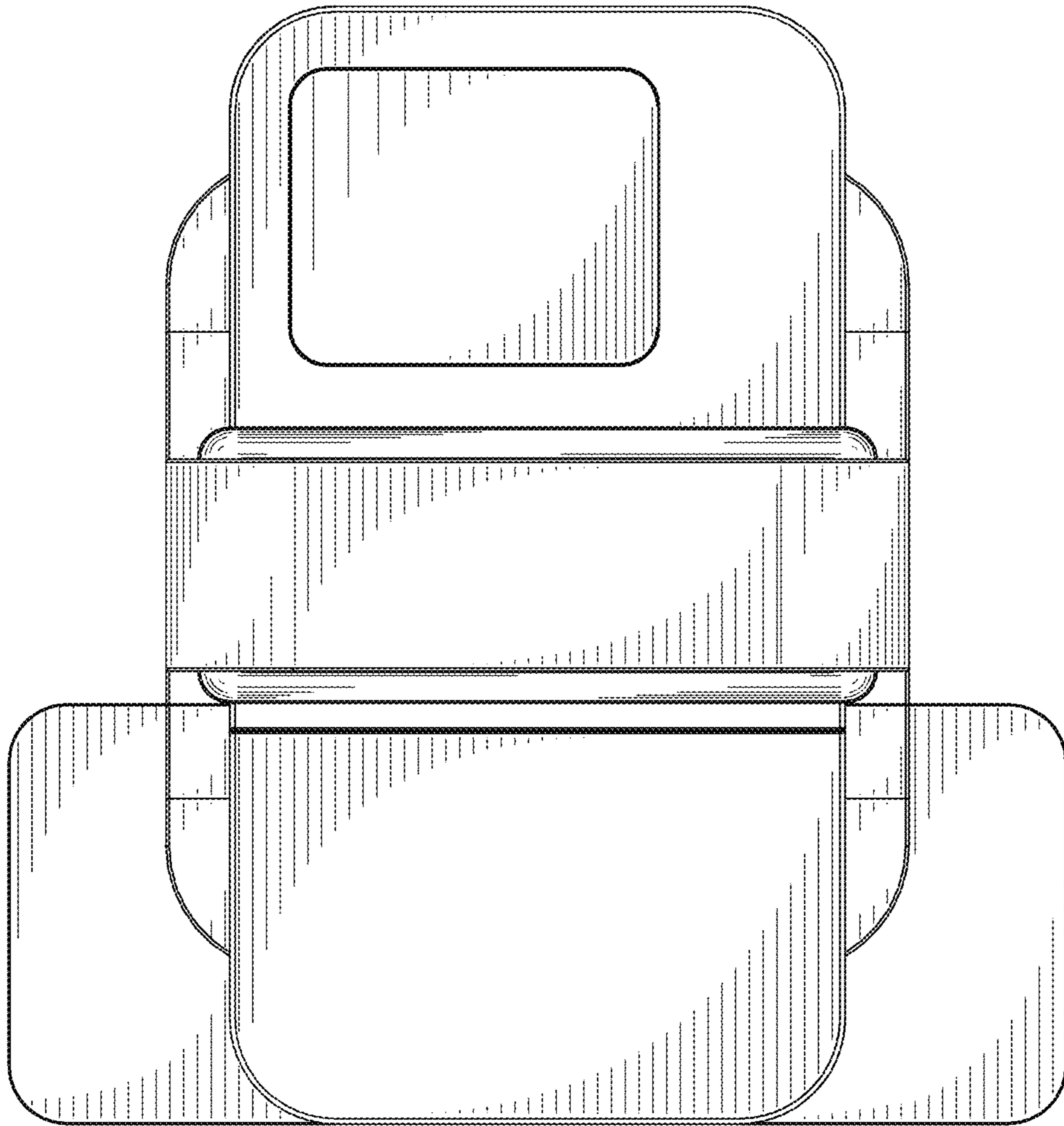


FIG. 6

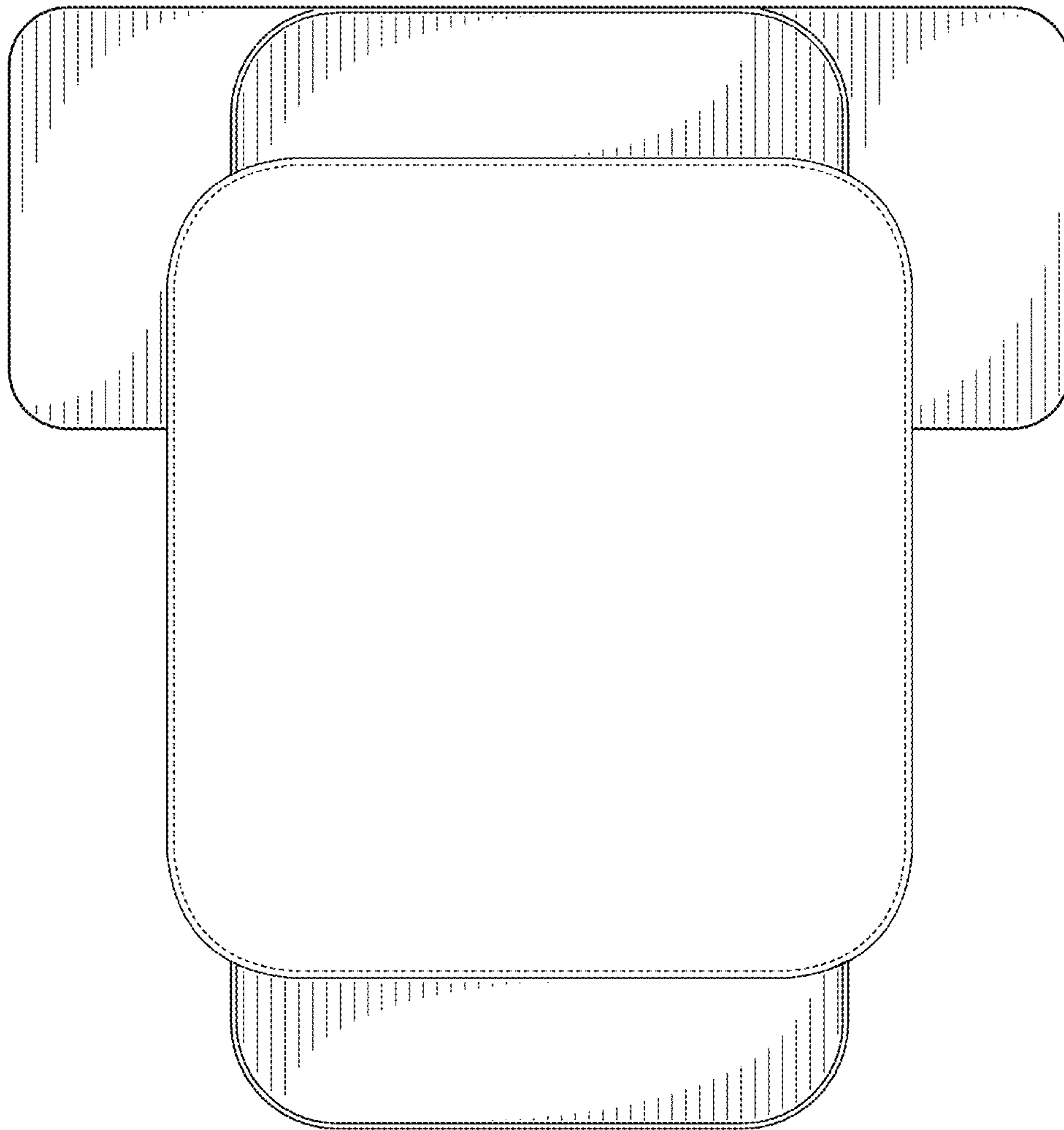


FIG. 7