



US00D799471S

(12) **United States Design Patent** (10) **Patent No.:** **US D799,471 S**
Brown et al. (45) **Date of Patent:** **** Oct. 10, 2017**

(54) **MULTIFUNCTION KIOSK**
 (71) Applicant: **XEROX CORPORATION**, Norwalk, CT (US)
 (72) Inventors: **Donald A Brown**, Honeoye Falls, NY (US); **James Gresko**, Rochester, NY (US); **Paul Klock**, Carlsbad, CA (US); **Tyler W Porter**, Honeoye Falls, NY (US)

D727,307 S * 4/2015 Kraft D14/307
 D727,308 S * 4/2015 Kraft D14/307
 D742,870 S * 11/2015 Berini G06F 21/32
 D14/307
 D743,956 S * 11/2015 Kraft D14/307
 D751,061 S * 3/2016 Berini D14/307
 D752,032 S * 3/2016 Taylor D14/307
 D769,864 S * 10/2016 Hoffmann D14/307
 D788,098 S * 5/2017 Thornton D14/307
 D792,388 S * 7/2017 Taylor D14/307

* cited by examiner

(73) Assignee: **Xerox Corporation**, Norwalk, CT (US)
 (**) Term: **15 Years**

Primary Examiner — Austin Murphy

(21) Appl. No.: **29/587,932**
 (22) Filed: **Dec. 16, 2016**
 (51) **LOC (10) Cl.** **14-02**
 (52) **U.S. Cl.**
 USPC **D14/307**
 (58) **Field of Classification Search**
 USPC D14/302–307, 900–902; D13/163;
 D20/10; D21/332, 325, 369, 370;
 D99/28; D6/397, 466; 194/206;
 361/679.01, 679.02, 679.04, 679.21,
 361/679.57, 725
 CPC G06Q 20/18; G06Q 20/10; G06Q 20/123;
 G06Q 20/20; G06Q 30/02; G06Q 30/06;
 A47F 9/047
 See application file for complete search history.

(57) **CLAIM**

The ornamental design for a multifunction kiosk, as shown and described.

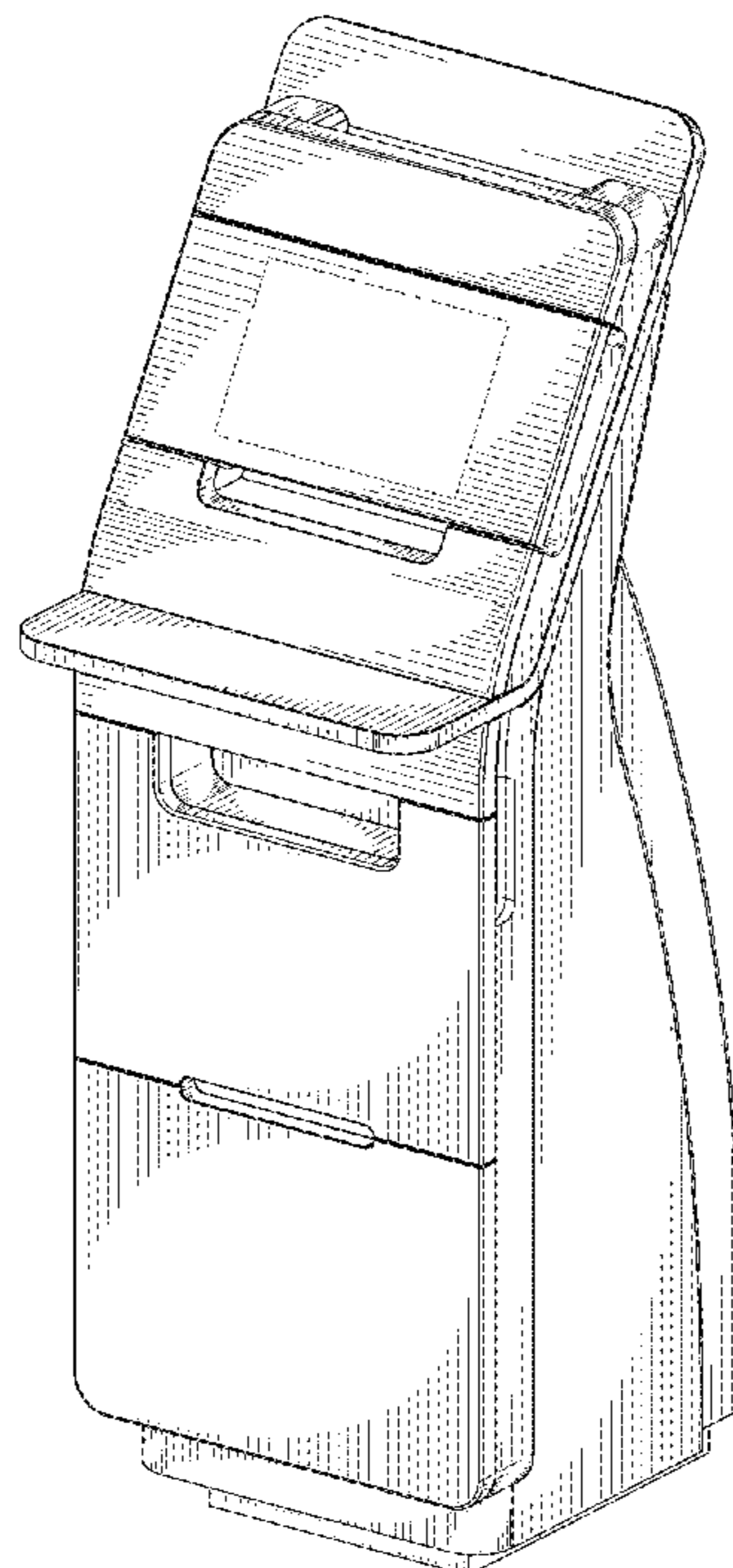
DESCRIPTION

FIG. 1 is a perspective view of a multifunction kiosk in accordance with the present invention;
 FIG. 2 is a front view thereof;
 FIG. 3 is a right side view thereof;
 FIG. 4 is a rear view thereof;
 FIG. 5 is a left side view thereof;
 FIG. 6 is a top plan view thereof; and,
 FIG. 7 is a bottom plan view thereof.
 The broken lines in the drawings depict environmental subject matter, are for illustrative purposes only and form no part of the claimed design.

(56) **References Cited**
 U.S. PATENT DOCUMENTS

D695,285 S * 12/2013 Smith D14/307
 D707,674 S * 6/2014 Daniel D14/307

1 Claim, 6 Drawing Sheets



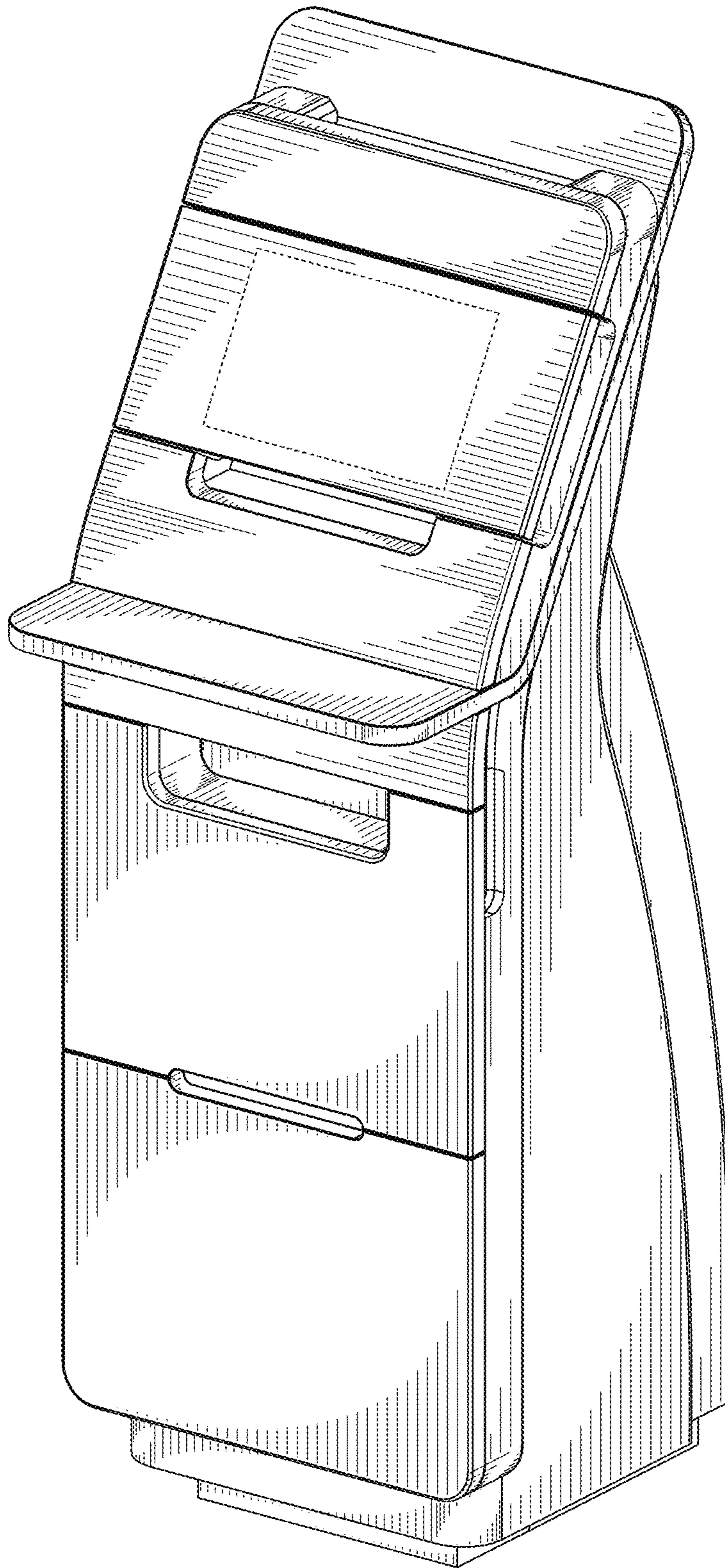


FIG. 1

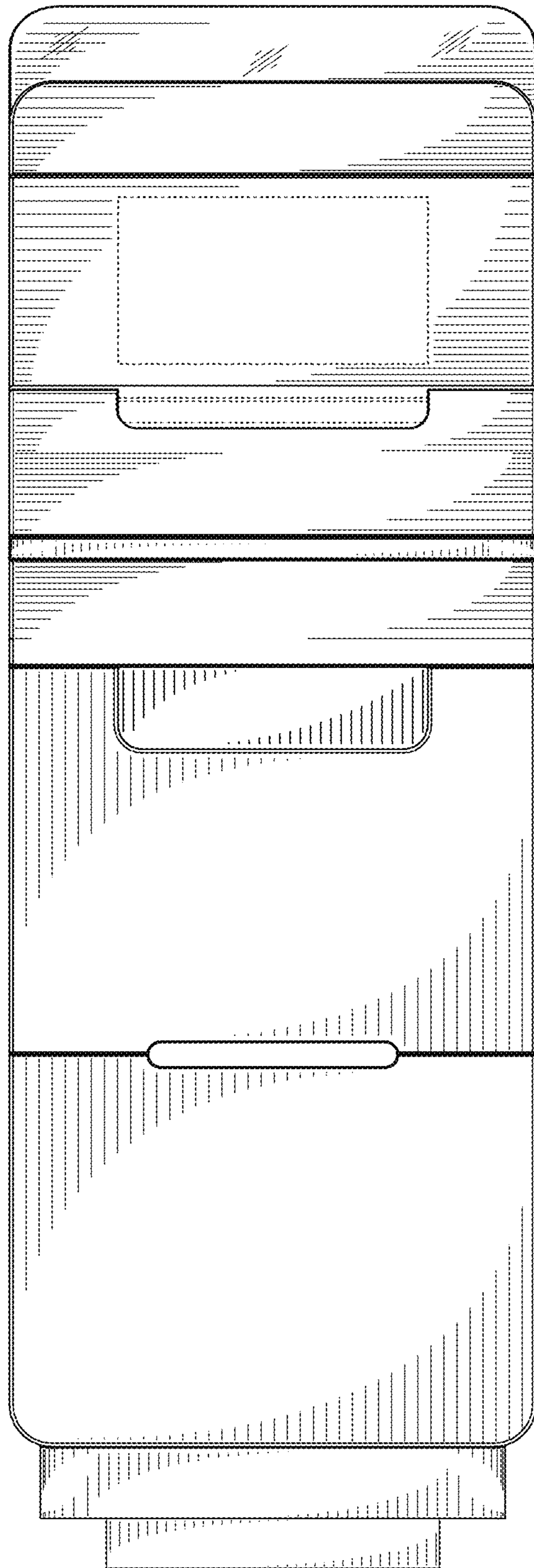


FIG. 2

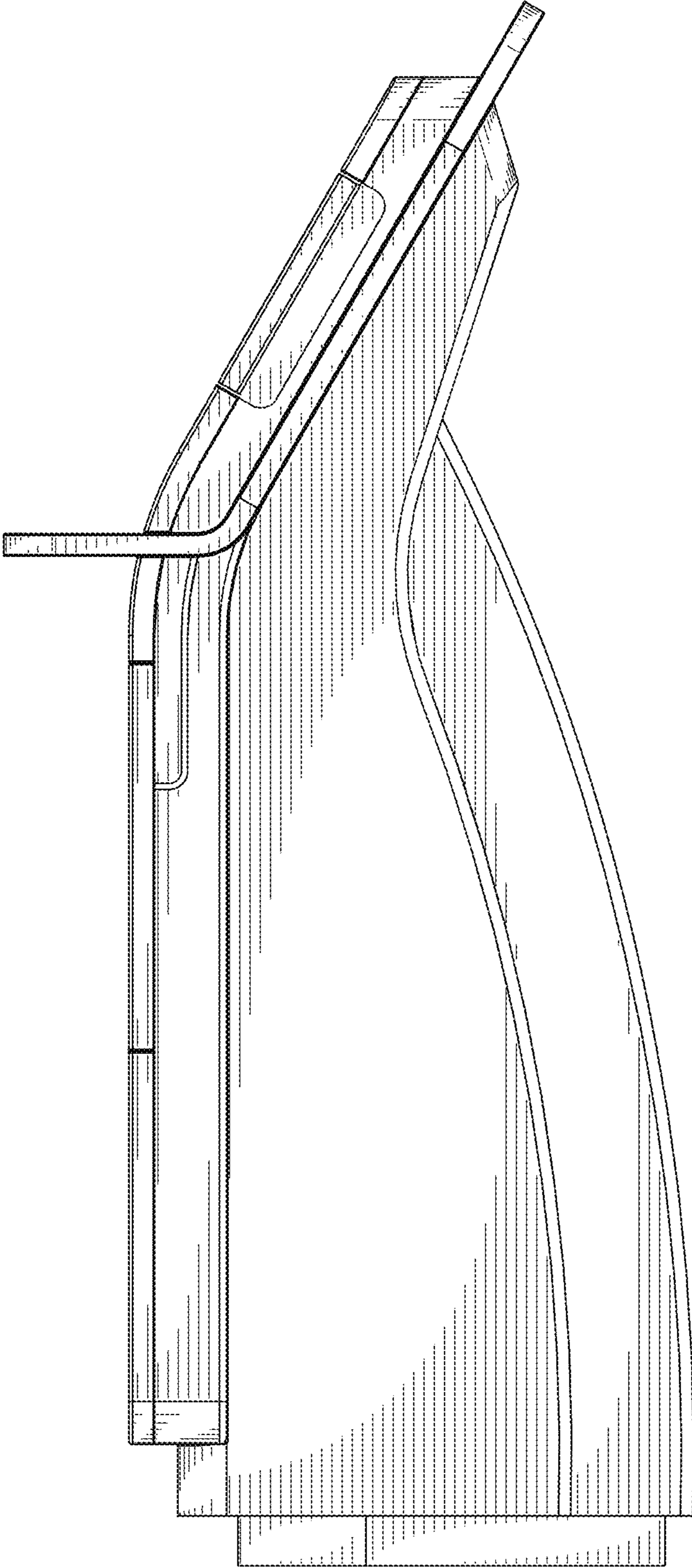


FIG. 3

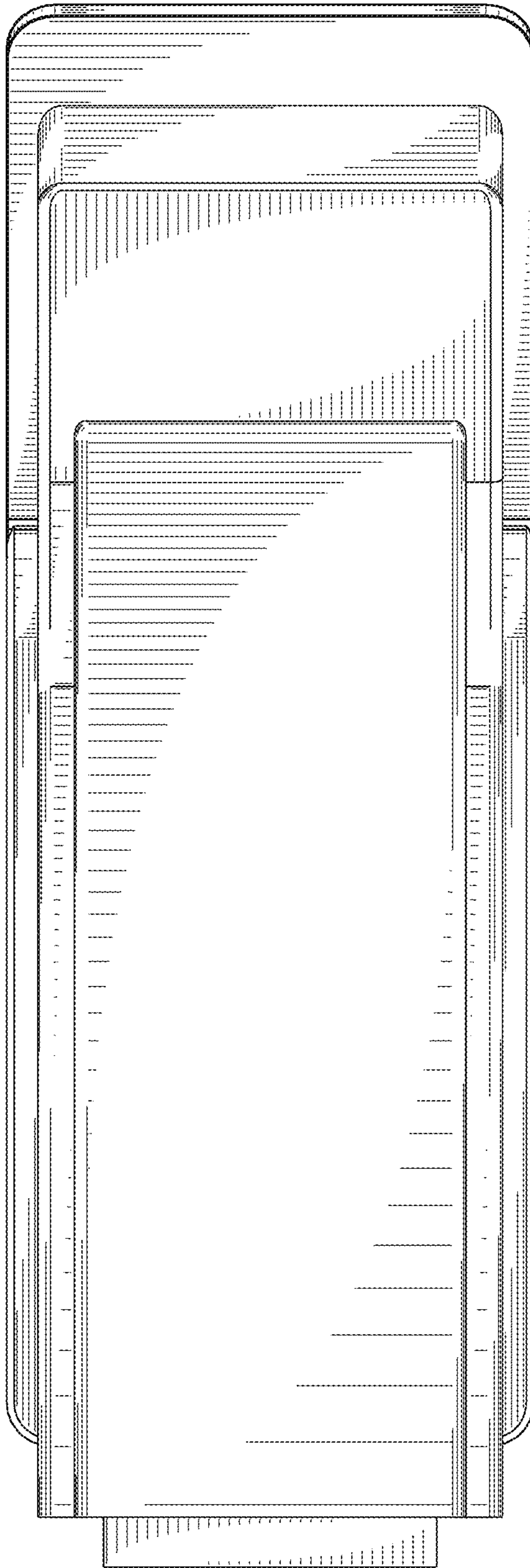


FIG. 4

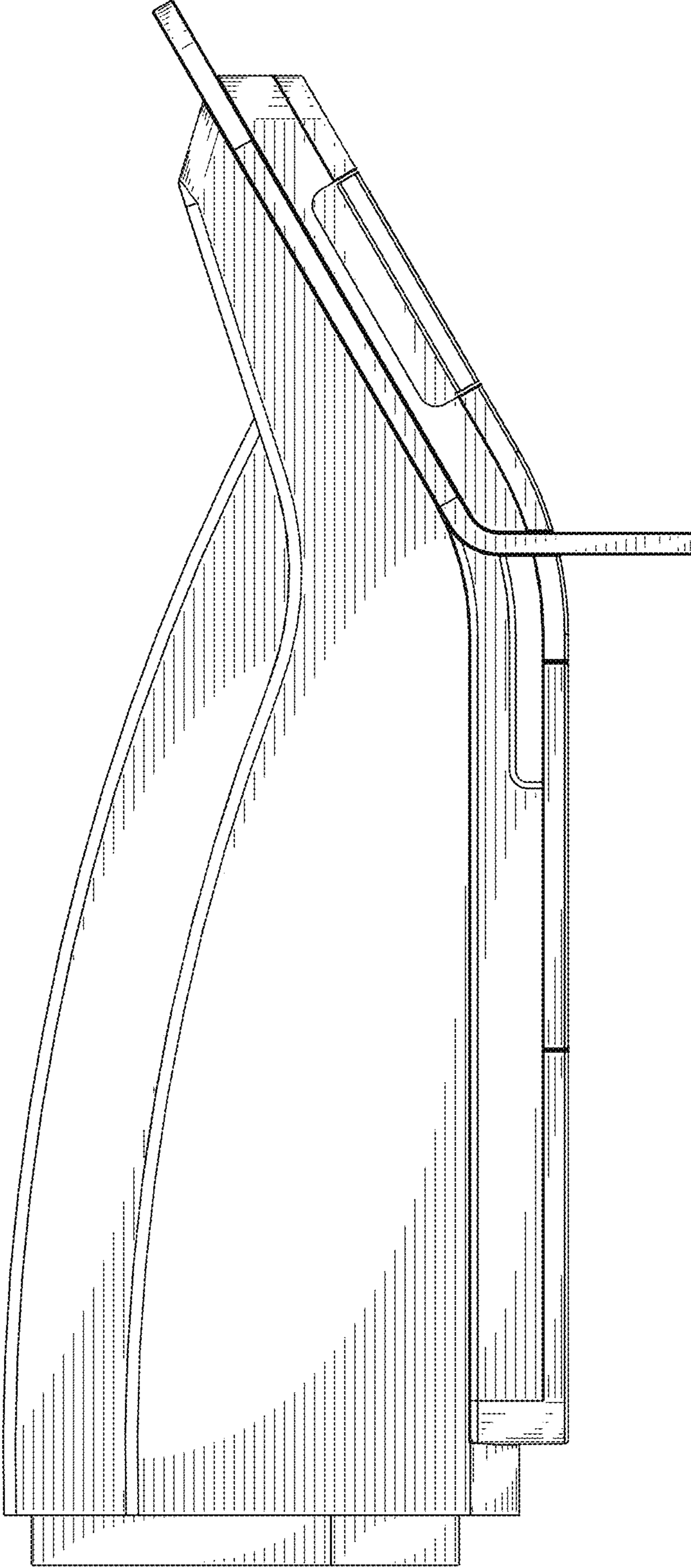


FIG. 5

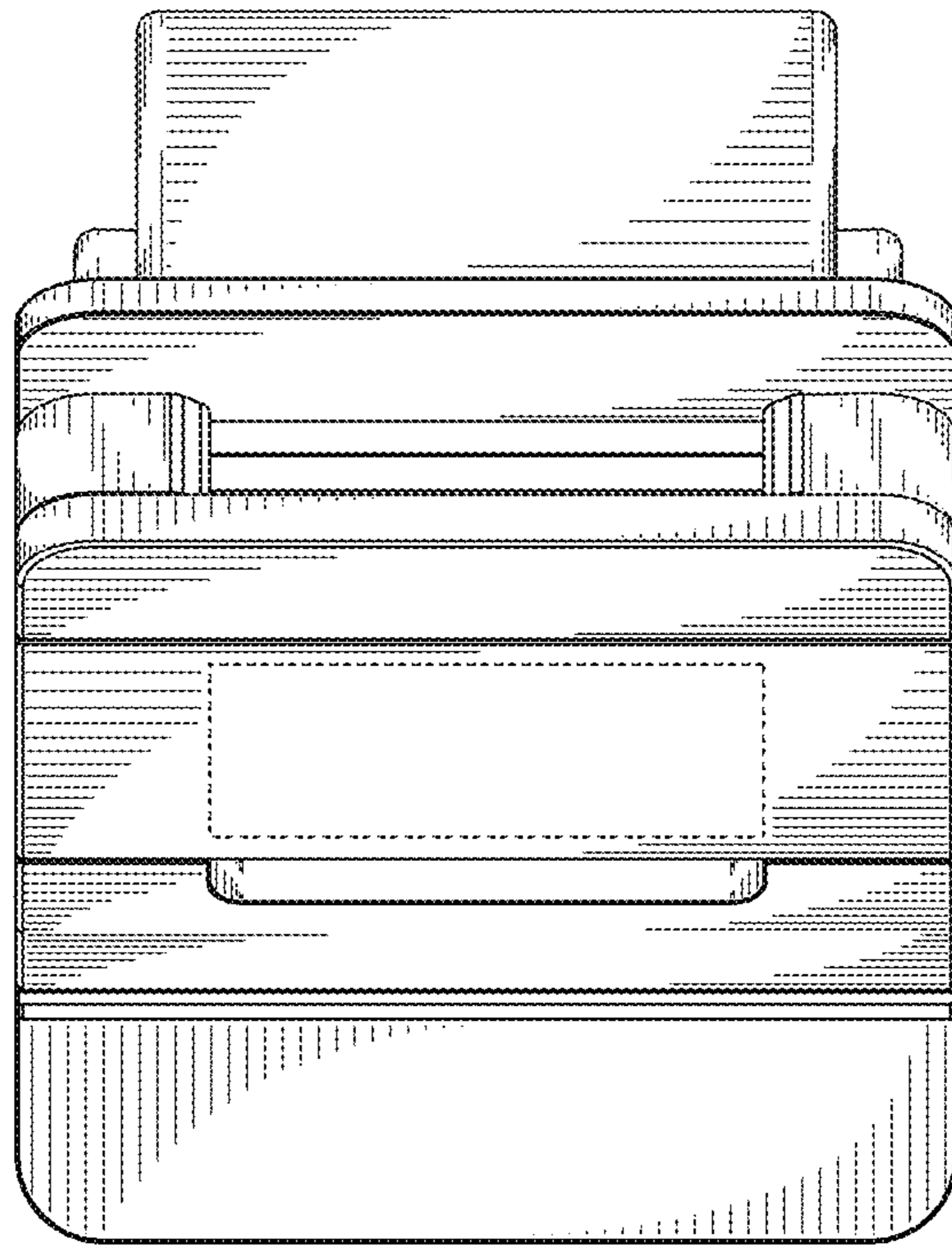


FIG. 6

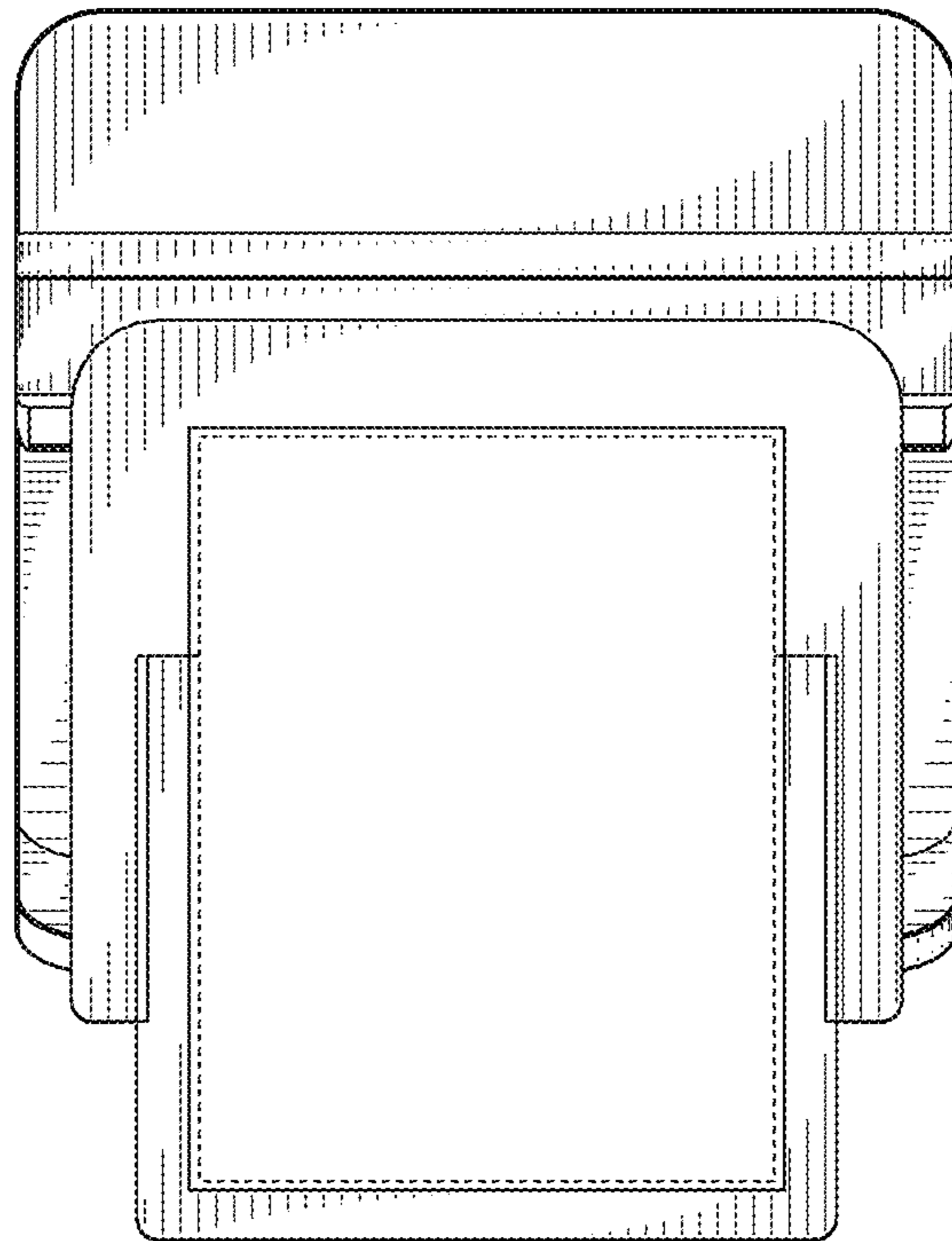


FIG. 7