



US00D799469S

(12) **United States Design Patent** (10) **Patent No.:** **US D799,469 S**
Esses (45) **Date of Patent:** **** Oct. 10, 2017**

(54) **DEVICE CAR MOUNT**
(71) Applicant: **Premier Accessory Group LLC**,
Edison, NJ (US)
(72) Inventor: **Alfred Esses**, Brooklyn, NY (US)
(73) Assignee: **PREMIER ACCESSORY GROUP**
LLC, Edison, NJ (US)
(**) Term: **15 Years**

D590,835 S * 4/2009 Richter D14/253
D603,322 S 11/2009 Nicieja
D613,731 S * 4/2010 Yeo D14/253
D619,587 S 7/2010 Richter
D627,624 S * 11/2010 Brassard D8/363
8,091,843 B2 1/2012 Tsai
D654,493 S 2/2012 Baumann et al.
D655,283 S 3/2012 Richter
8,317,152 B1 11/2012 Zhou
D681,028 S 4/2013 Richter
D692,897 S 11/2013 Luijben
D695,732 S 12/2013 Baumann et al.

(Continued)

(21) Appl. No.: **29/580,996**

FOREIGN PATENT DOCUMENTS

(22) Filed: **Oct. 14, 2016**

WO 2007111516 10/2007
WO 2013037393 3/2013
WO 2013189415 12/2013

Related U.S. Application Data

(63) Continuation-in-part of application No. 29/551,601,
filed on Jan. 14, 2016.

Primary Examiner — Janice Hallmark

(51) **LOC (10) Cl.** **14-03**

(74) *Attorney, Agent, or Firm* — Gottlieb, Rackman &
Reisman, PC

(52) **U.S. Cl.**
USPC **D14/253**

(57) **CLAIM**

(58) **Field of Classification Search**
USPC D14/253, 432, 434, 440, 447, 439, 451,
D14/452, 457, 250, 251; D12/415, 114,
D12/420; D6/406.3, 406.4, 406.5, 406.6;
D3/218

The ornamental design for a device car mount, as shown and
described.

CPC H04M 1/04; H04M 1/06; H04M 1/11;
H04M 1/12; F16M 13/00

DESCRIPTION

See application file for complete search history.

FIG. 1 is a front perspective view of a device car mount
showing my new design;
FIG. 2 is a first side perspective view thereof;
FIG. 3 is a second side perspective view thereof;
FIG. 4 is a first side elevation view thereof;
FIG. 5 is a second side elevation view thereof;
FIG. 6 is a front elevation view thereof;
FIG. 7 is a rear elevation view thereof; and,
FIG. 8 is a top perspective view thereof.

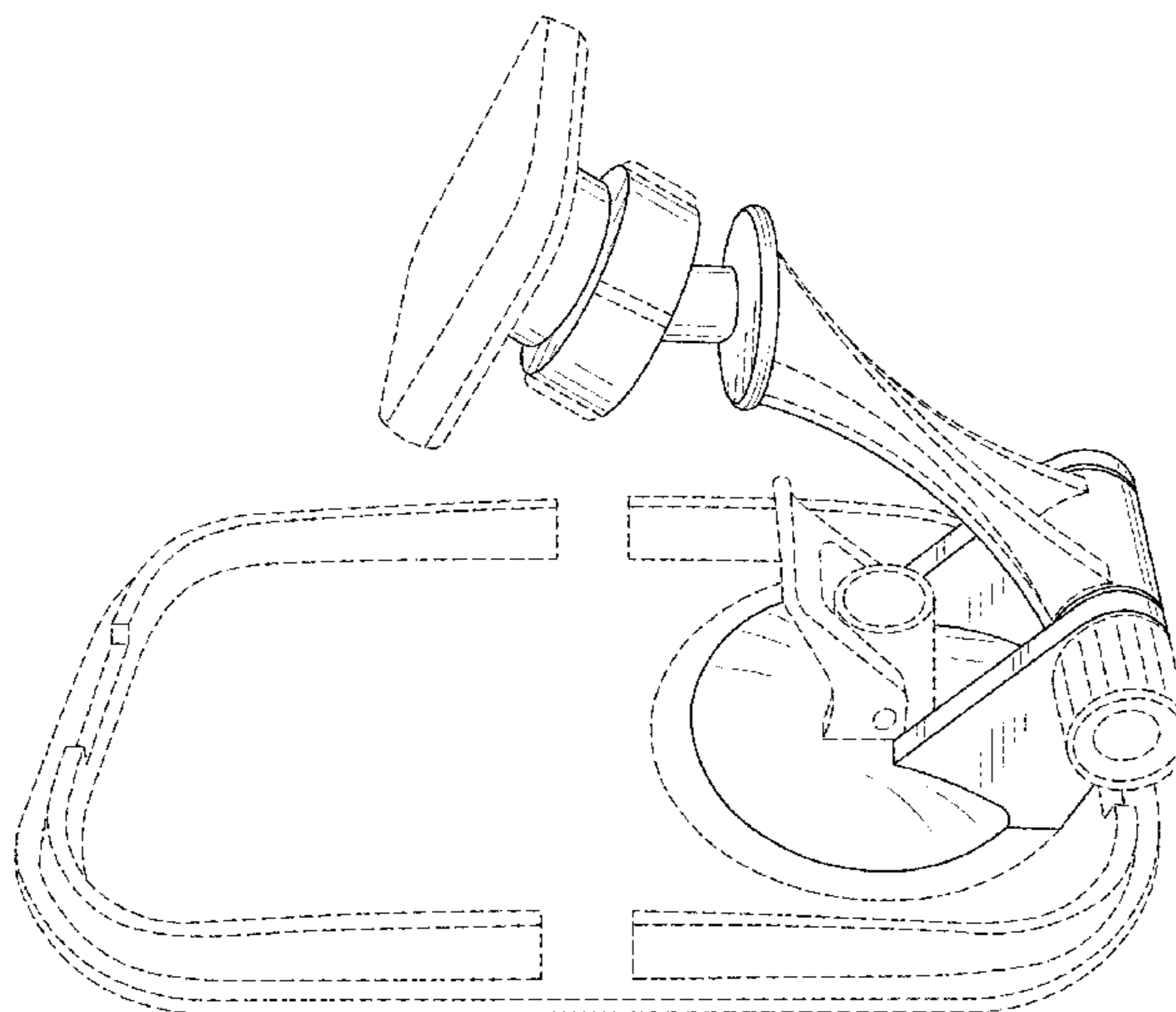
(56) **References Cited**

U.S. PATENT DOCUMENTS

D553,958 S * 10/2007 Brassard D8/363
D554,042 S 10/2007 Richter
D554,136 S * 10/2007 Richter D14/251
D554,137 S * 10/2007 Richter D14/251
D562,331 S 2/2008 Li
D566,530 S * 4/2008 Brassard D8/363
D587,188 S * 2/2009 Mo D12/415
D590,834 S * 4/2009 Richter D14/253

The broken lines shown in the drawings are included for the
purpose of illustrating portions of the article that form no
part of the claimed design.

1 Claim, 8 Drawing Sheets



(56)

References Cited

U.S. PATENT DOCUMENTS

D709,074	S	7/2014	Tsui et al.	
D713,837	S	9/2014	Chul Kim	
D714,772	S *	10/2014	Rozzo	D13/102
D715,132	S *	10/2014	McSweyn	D8/363
D718,297	S *	11/2014	Aspinall	D14/253
8,967,561	B2	3/2015	Cheng et al.	
D732,519	S *	6/2015	Aspinall	D14/253
D736,217	S	8/2015	Wang	
9,125,475	B2	9/2015	Garza, Jr.	
D748,098	S	1/2016	Khodapanah et al.	
2010/0320341	A1	12/2010	Baumann et al.	
2012/0049019	A1	3/2012	Chen	
2014/0265765	A1	9/2014	Khodapanah et al.	
2015/0140935	A1	5/2015	Wong	

* cited by examiner

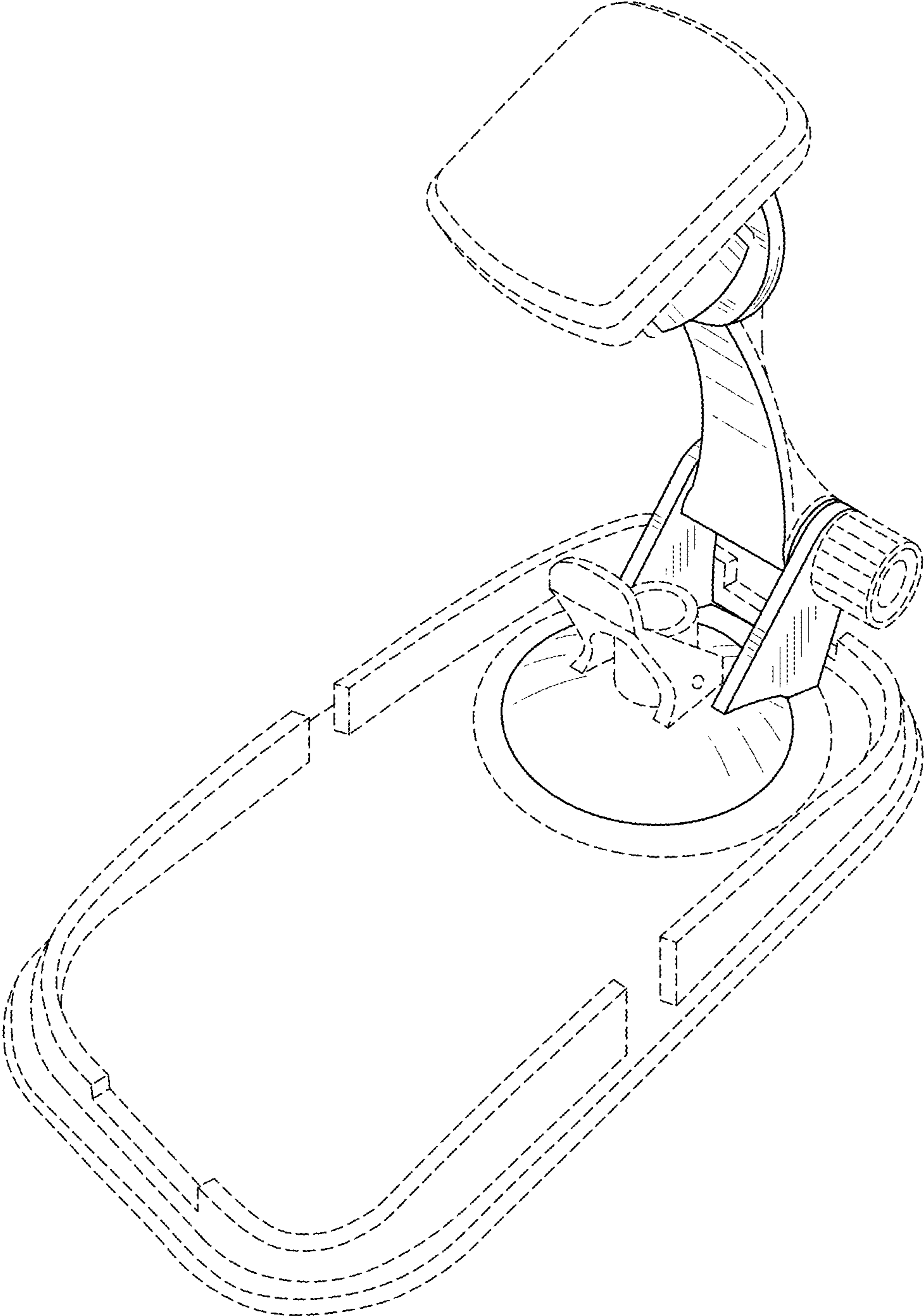


FIG. 1

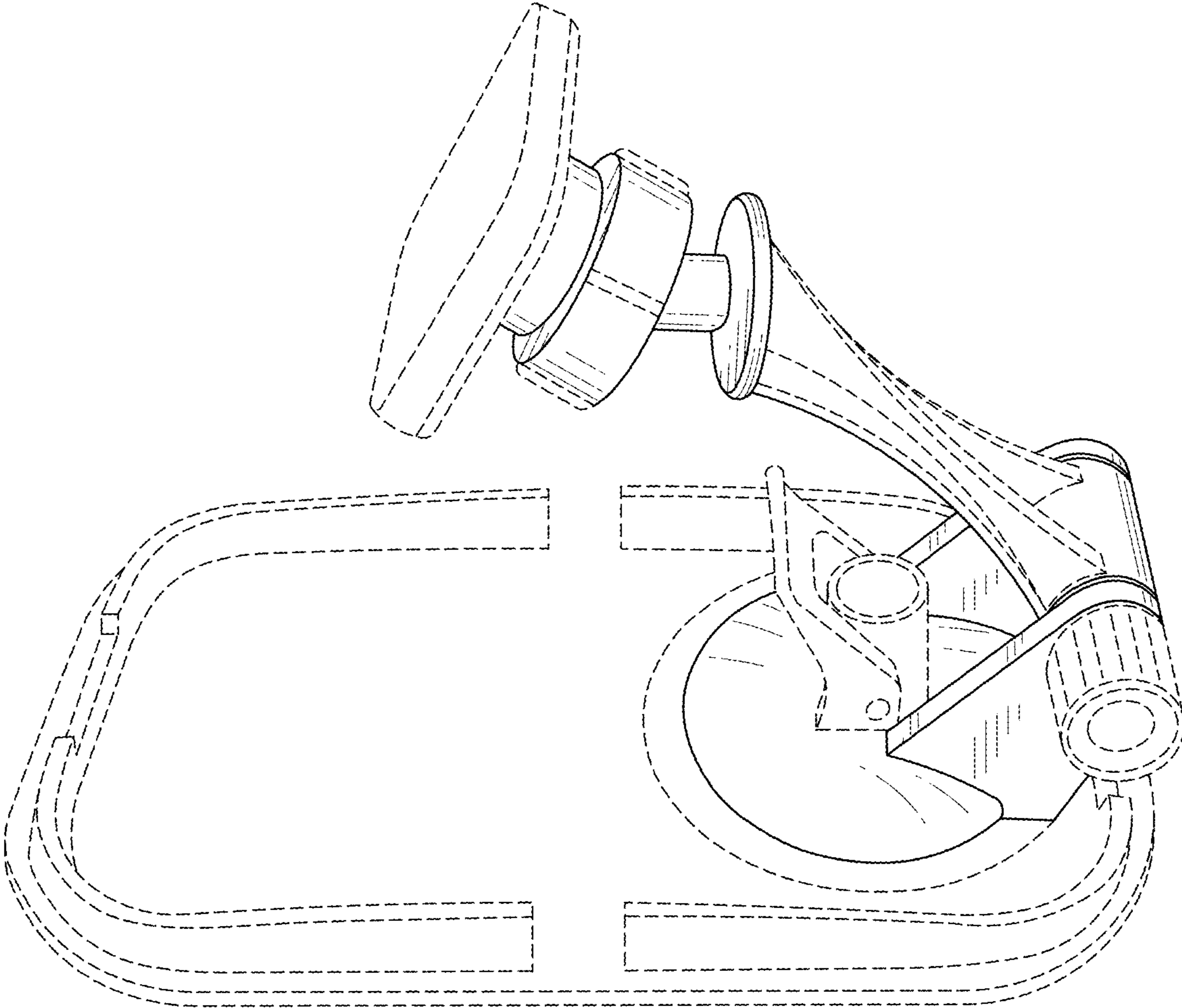


FIG.2

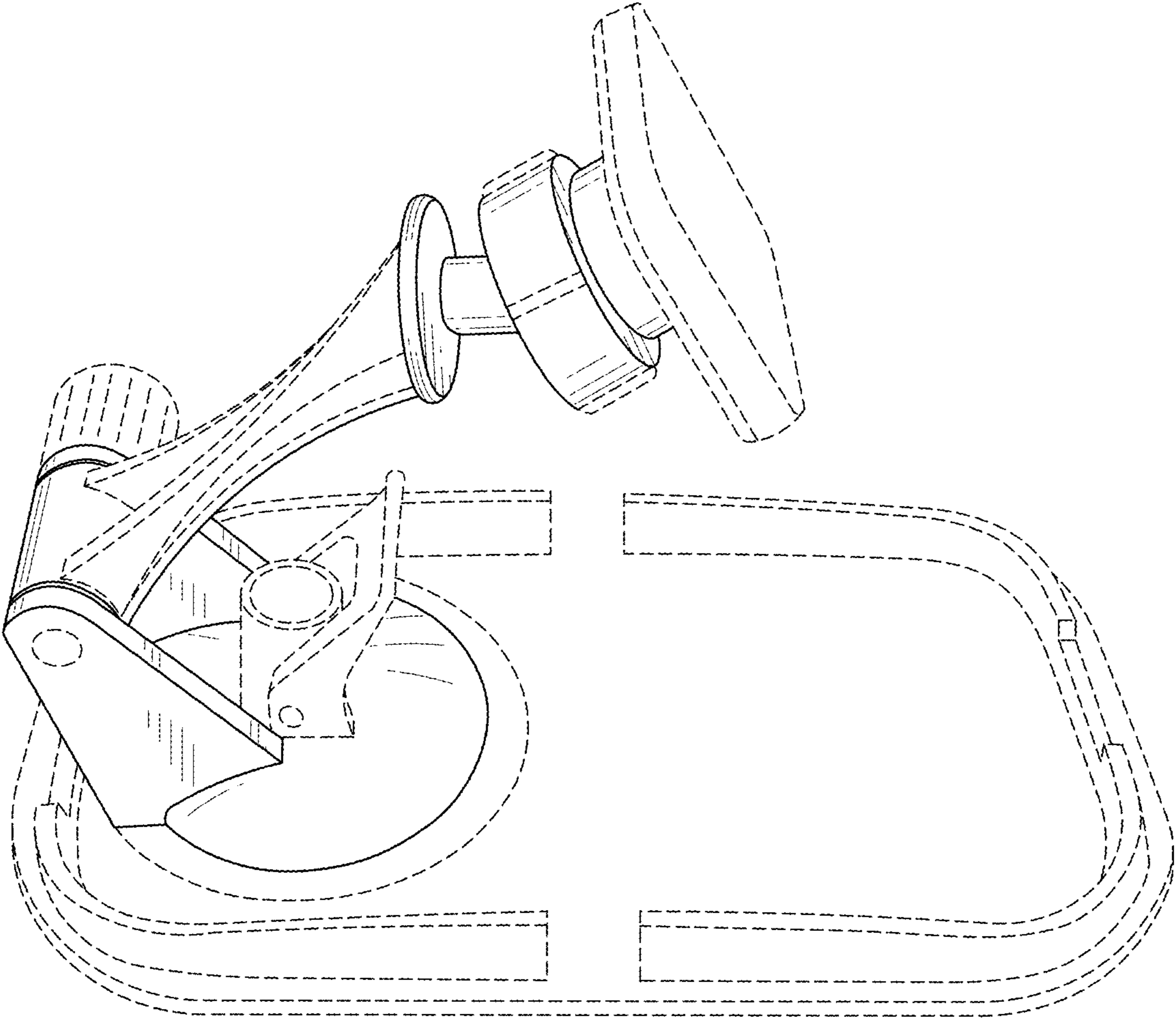


FIG. 3

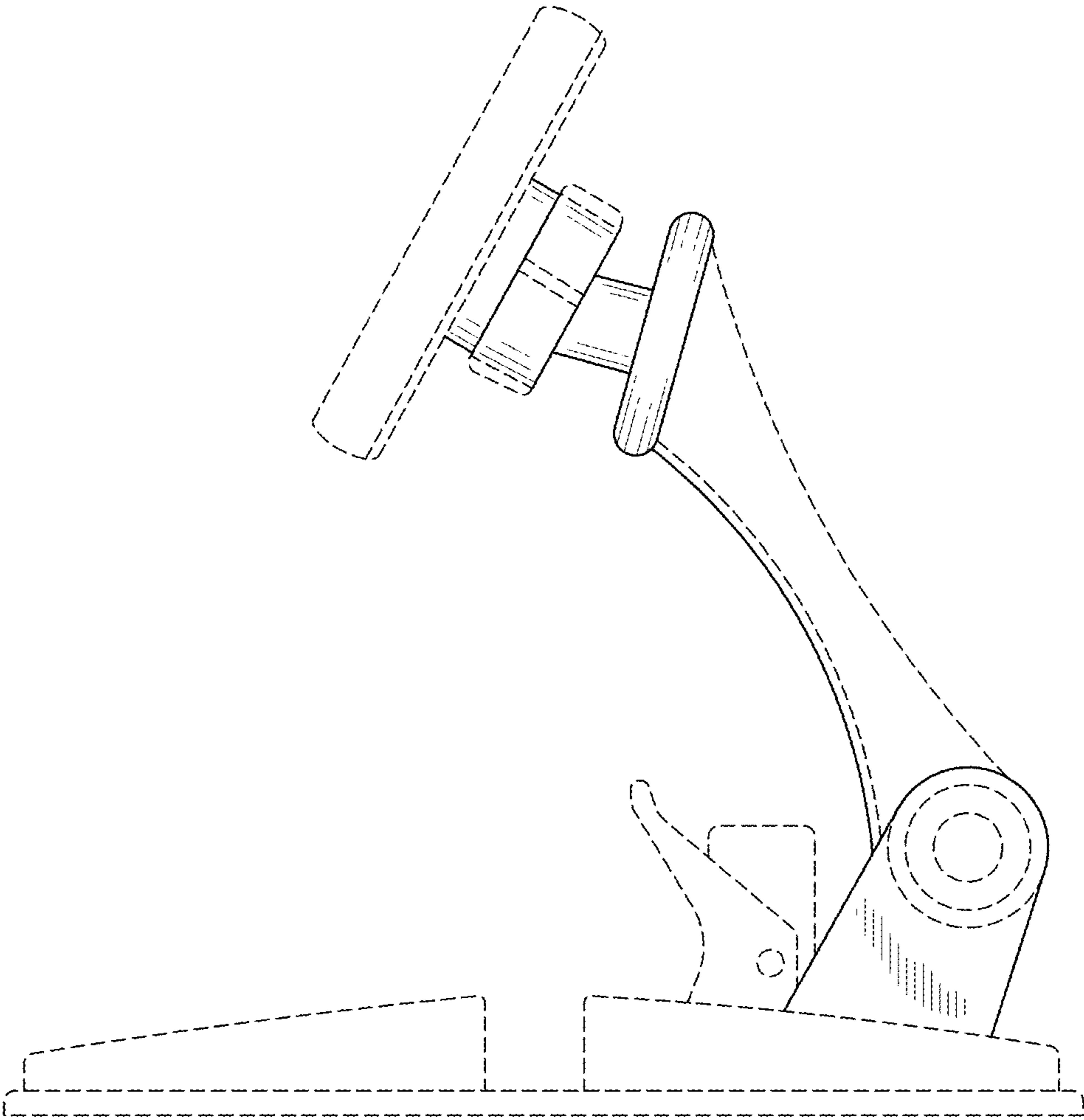


FIG.4

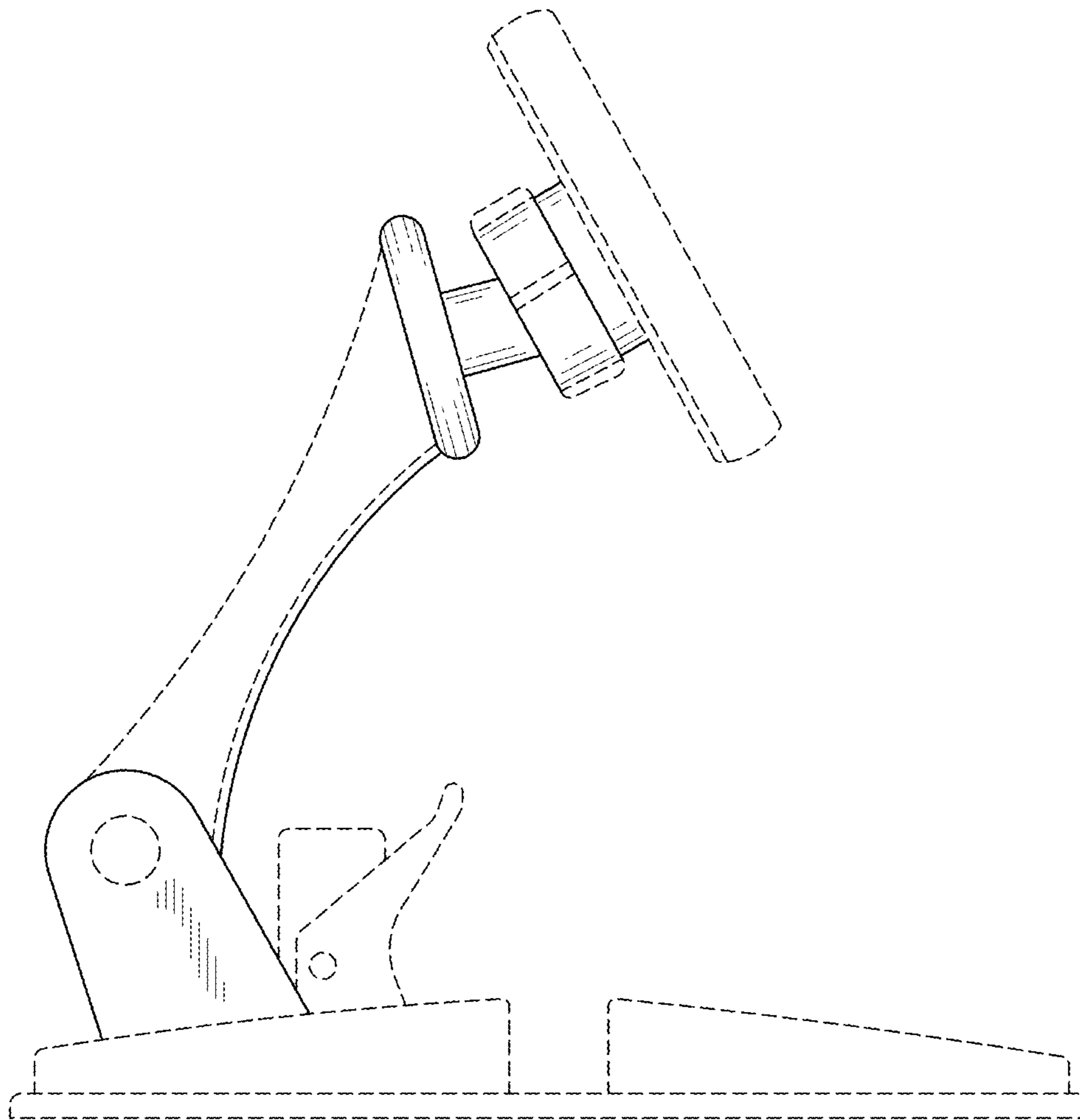


FIG. 5

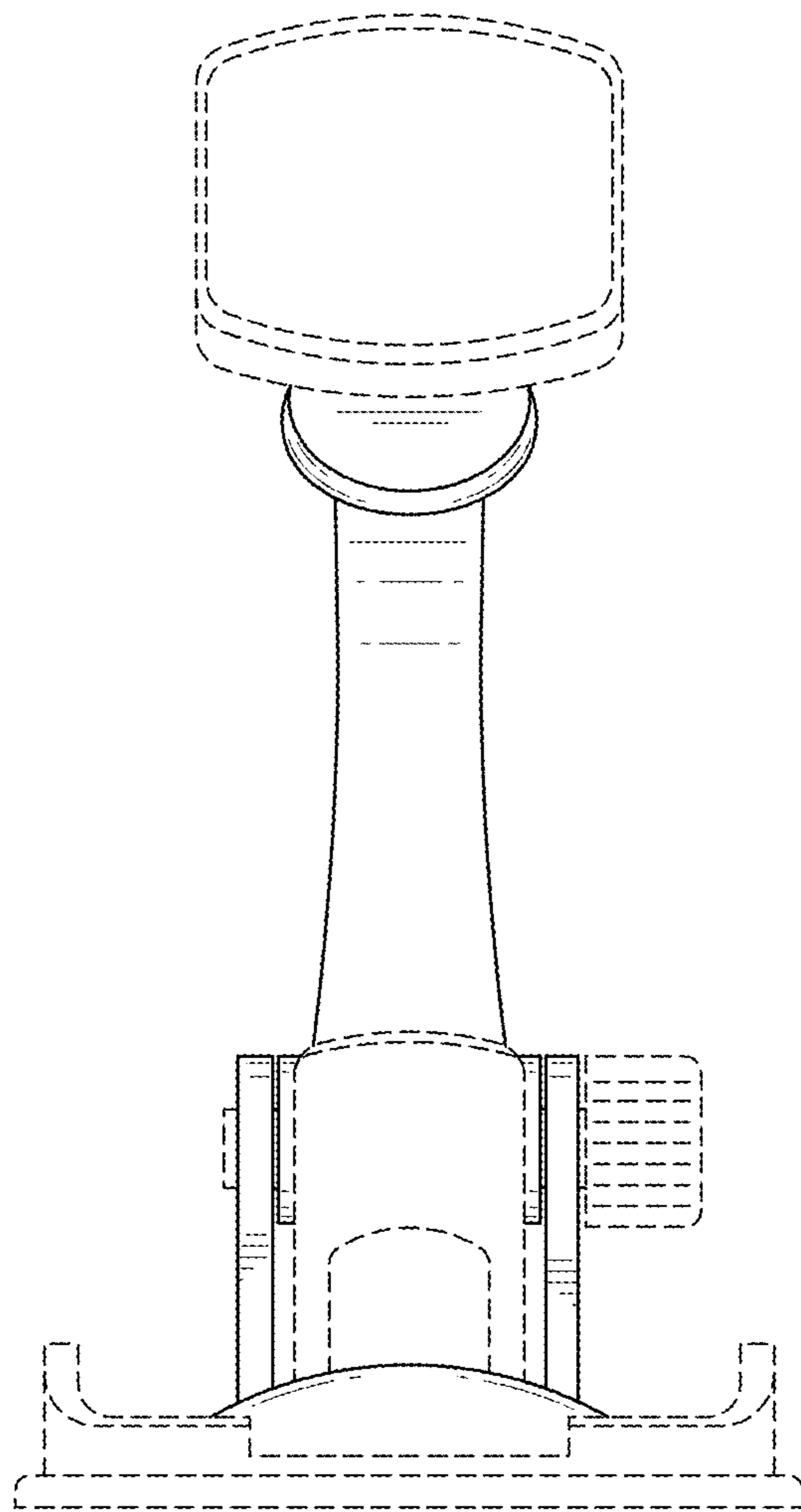


FIG. 6

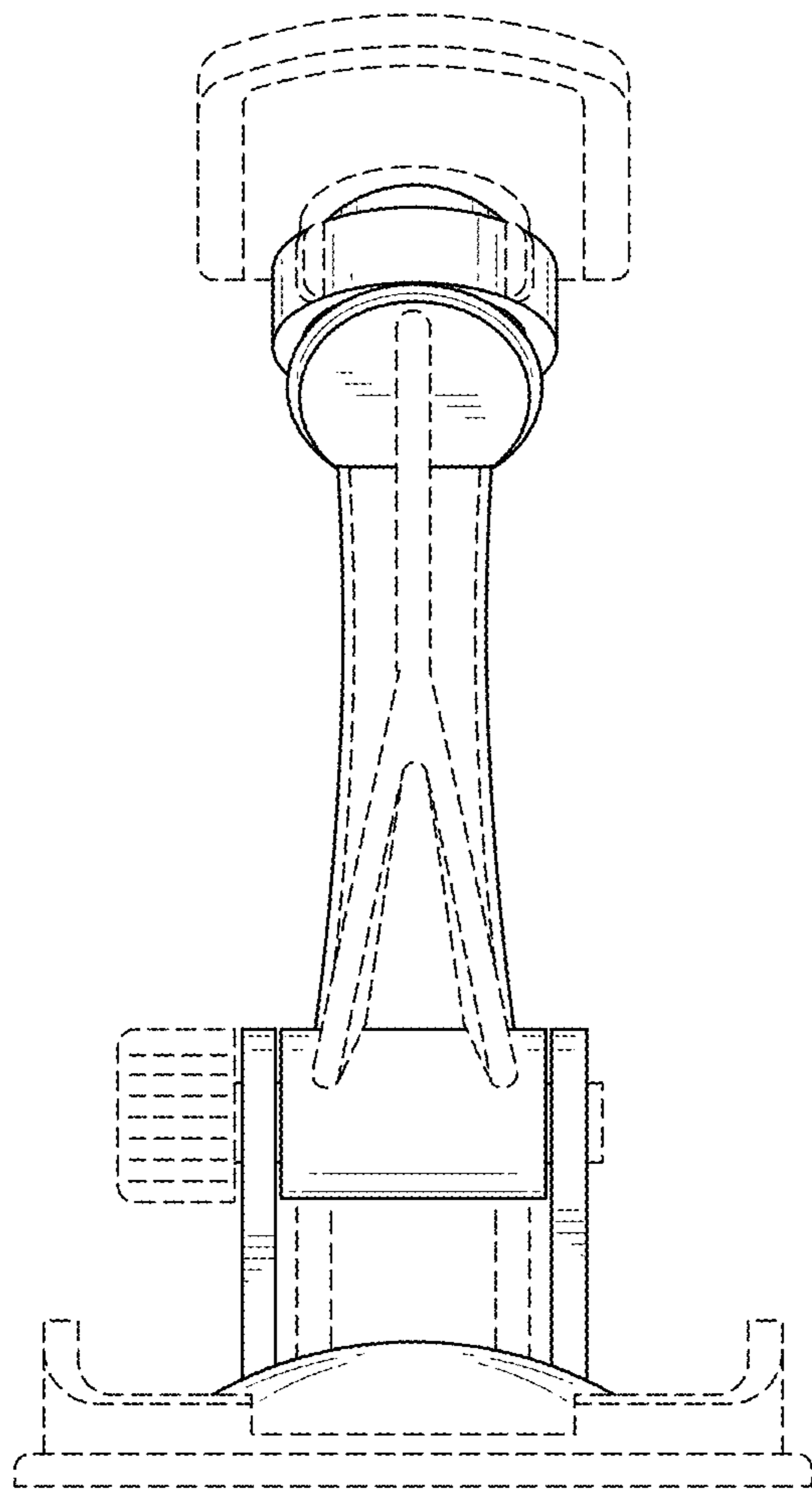


FIG. 7

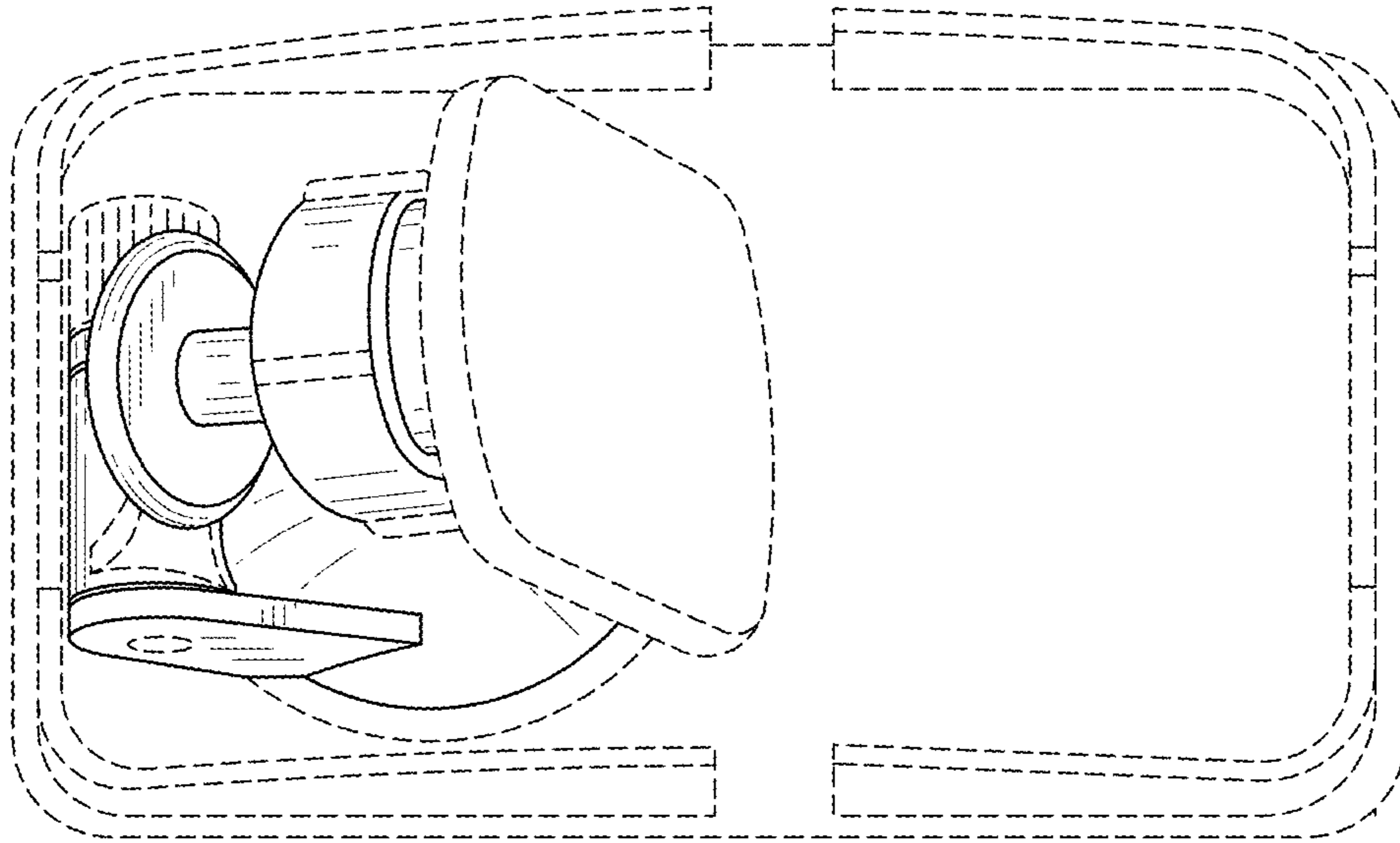


FIG. 8