



US00D799468S

(12) **United States Design Patent**
Chen

(10) **Patent No.:** **US D799,468 S**

(45) **Date of Patent:** **** Oct. 10, 2017**

(54) **MOBILE DEVICE PLATFORM**

(71) Applicant: **Lina Zhang**, College Point, NY (US)

(72) Inventor: **ZhenNeng Chen**, ChongQing (CN)

(73) Assignee: **Lina Zhang**, Bayside Hills, NY (US)

(**) Term: **15 Years**

(21) Appl. No.: **29/574,832**

(22) Filed: **Aug. 18, 2016**

(30) **Foreign Application Priority Data**

Apr. 18, 2016 (CN) 2016 3 0129432

(51) **LOC (10) Cl.** **14-03**

(52) **U.S. Cl.**
USPC **D14/253**

(58) **Field of Classification Search**

USPC D14/251–253, 447, 451, 452, 440, 434,
D14/458, 432, 439, 457, 460, 238.1, 140,
D14/142, 149, 217, 148, 140.8, 140.11,
D14/209.1, 151, 140.9, 250, 238;
D13/107, 108; D12/415, 223, 114, 420,
D12/417, 407, 177; D3/218;
D16/242–245, 250, 237, 203, 214, 219;
D8/349, 363; D6/675, 672, 673, 675.4,
D6/553, 676, 310, 406.3, 406.4, 406.5,
D6/406.6, 407, 567, 300, 682.3; 248/459,
248/460; 224/483

CPC B60R 2011/0008; B60R 11/02; B60R
11/0241; B60R 11/0258; B60R 11/0252;
B60R 2011/0294; F16M 11/00; F16M
11/04; F16M 11/041; F16M 11/02; F16M
11/06; F16M 13/00; H04M 1/02; H04M
1/04; H04M 1/11; H04M 1/12; A47F
7/022; B62J 11/00; H05K 7/00; G03B
17/56

See application file for complete search history.

(56) **References Cited**

U.S. PATENT DOCUMENTS

D613,291 S *	4/2010	Carver	D14/218
D633,902 S *	3/2011	Tokuno	D14/244
D643,844 S *	8/2011	Akana	D14/447
D653,521 S *	2/2012	Wike	D8/310
D662,939 S *	7/2012	Akana	D14/447
D681,420 S *	5/2013	Ileuov	D8/354
D692,898 S *	11/2013	Luijben	D14/447
D693,818 S *	11/2013	Webber	D14/439
D696,673 S *	12/2013	Vogel	D14/447
D696,674 S *	12/2013	Vogel	D14/447
D709,065 S *	7/2014	Guyot	D14/253
D716,133 S *	10/2014	Pan	D8/367
D719,146 S *	12/2014	Herbst	D14/253
D723,021 S *	2/2015	Guyot	D14/253
D723,573 S *	3/2015	Padro	D14/447
D733,156 S *	6/2015	Choi	D14/447
D734,746 S *	7/2015	Vogel	D14/253
D748,615 S *	2/2016	Lee	D14/251
D765,549 S *	9/2016	Khodapanah	D12/114
D769,234 S *	10/2016	Rami	D14/253
D769,859 S *	10/2016	Herbst	D14/253
D771,614 S *	11/2016	Chang	D14/253

(Continued)

Primary Examiner — Janice Hallmark

(74) *Attorney, Agent, or Firm* — Jeanette Meng
Nakagawa

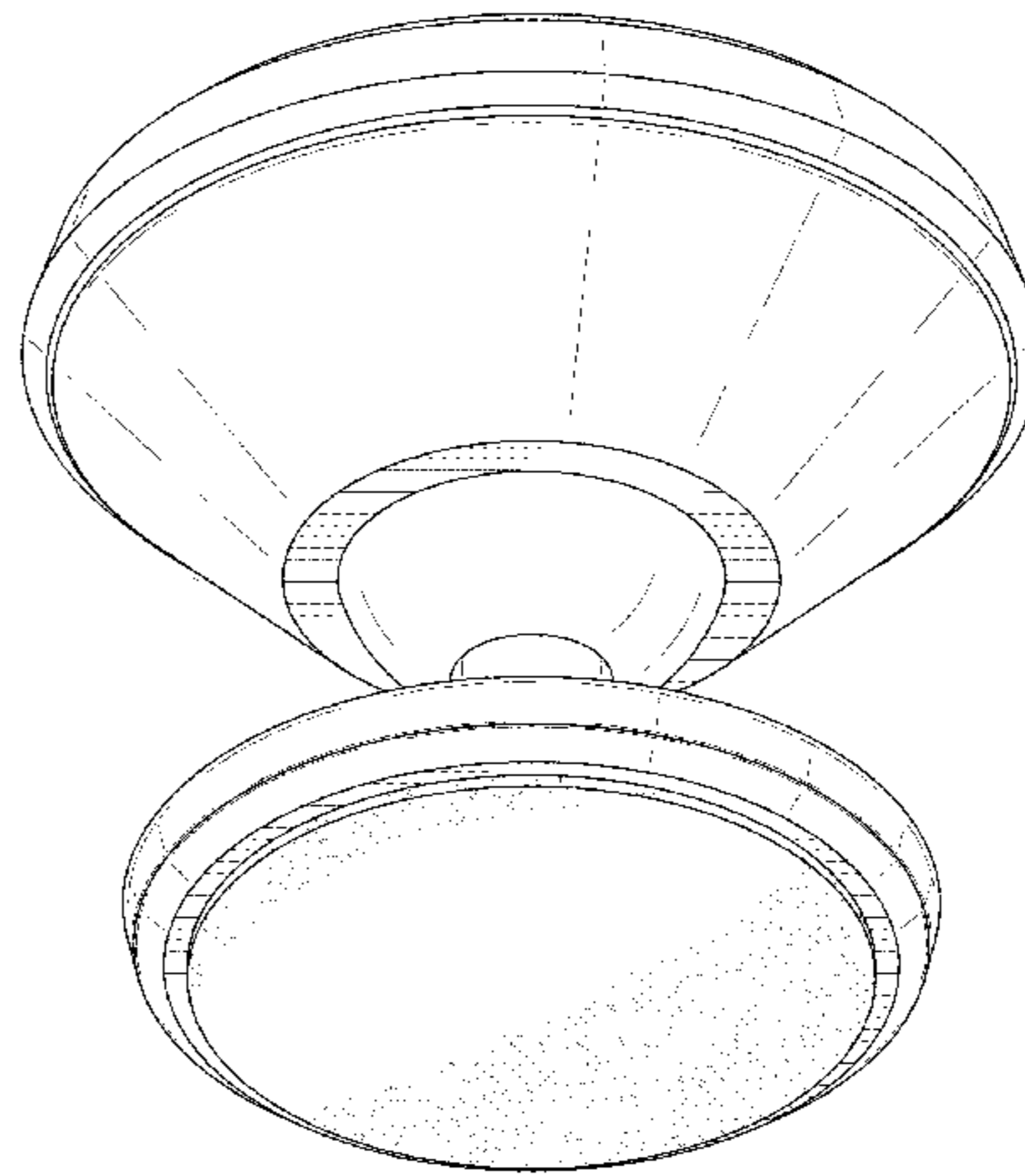
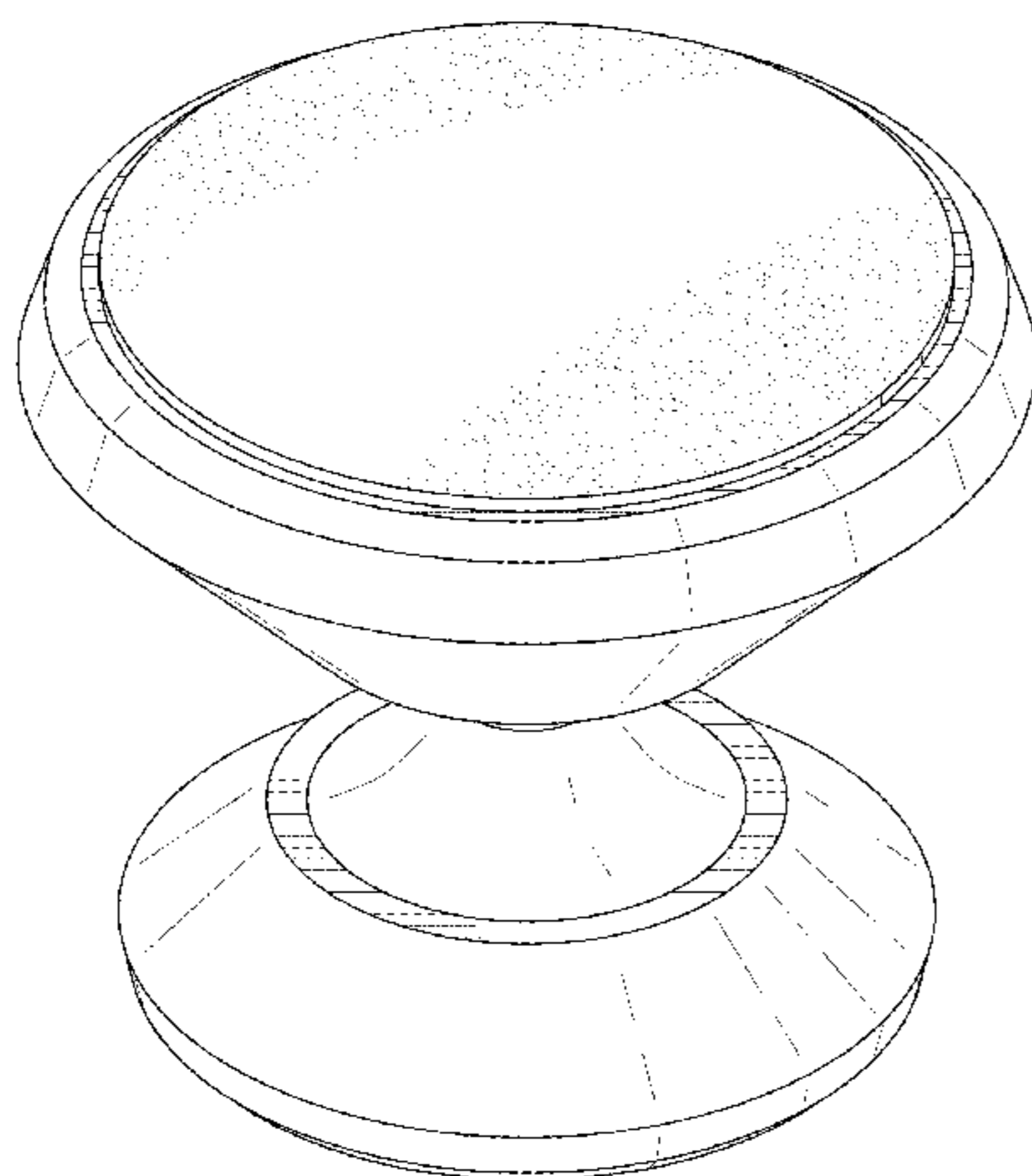
(57) **CLAIM**

The ornamental design for a mobile device platform, as shown and described.

DESCRIPTION

FIG. 1 is a perspective view from above of a mobile device platform showing my new design;
FIG. 2 is a right side view thereof; the left side, front, and back views are mirror images;
FIG. 3 is a top view thereof;
FIG. 4 is a bottom view thereof; and,
FIG. 5 is a perspective view from below thereof.

1 Claim, 4 Drawing Sheets



(56)

References Cited

U.S. PATENT DOCUMENTS

D783,593 S * 4/2017 Chen D14/253
D784,978 S * 4/2017 Hobbs D14/253
2012/0118770 A1* 5/2012 Valls F16M 11/10
206/320
2017/0035172 A1* 2/2017 Kim A45C 13/1069

* cited by examiner

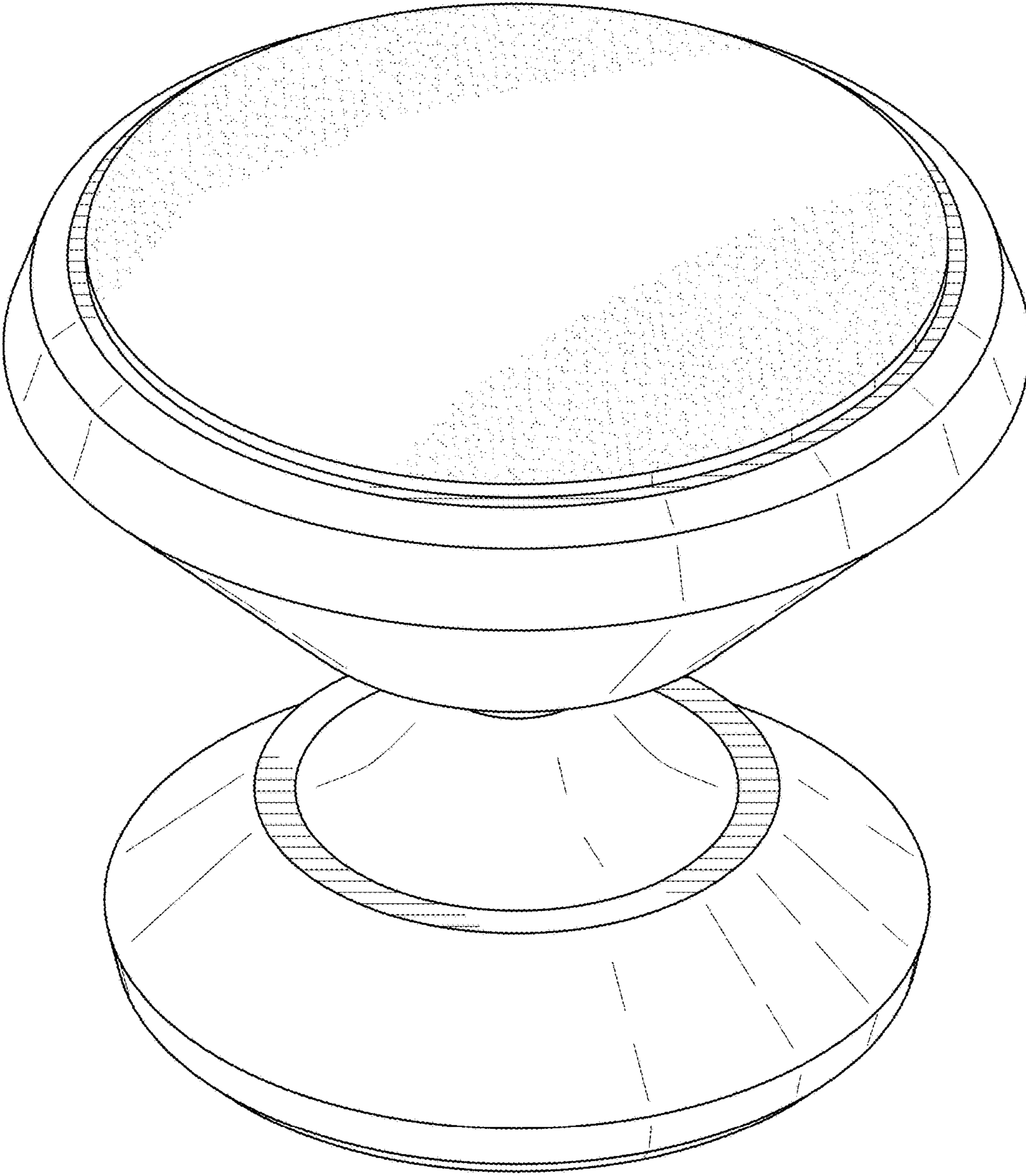


FIG. 1

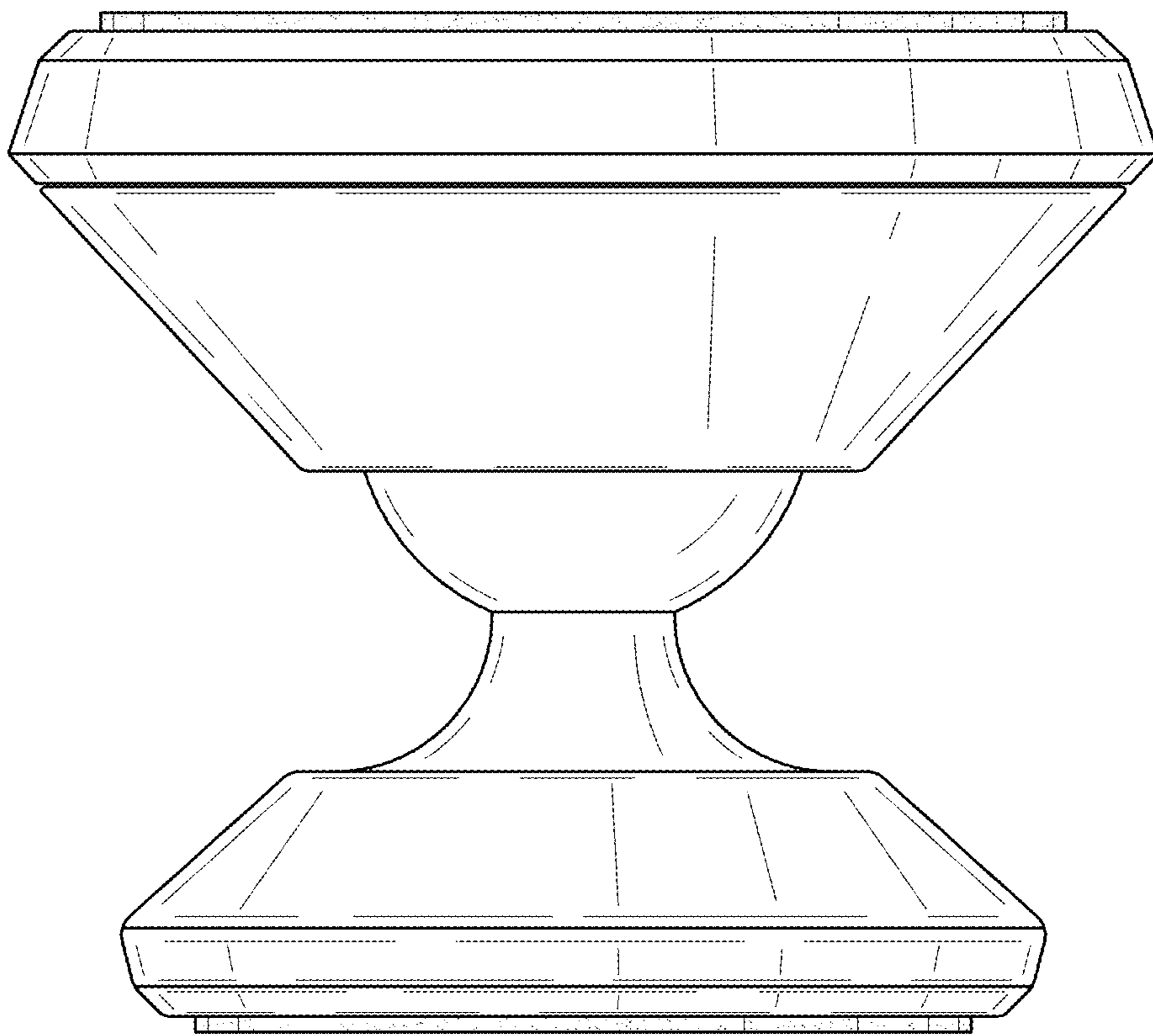


FIG. 2

FIG. 3

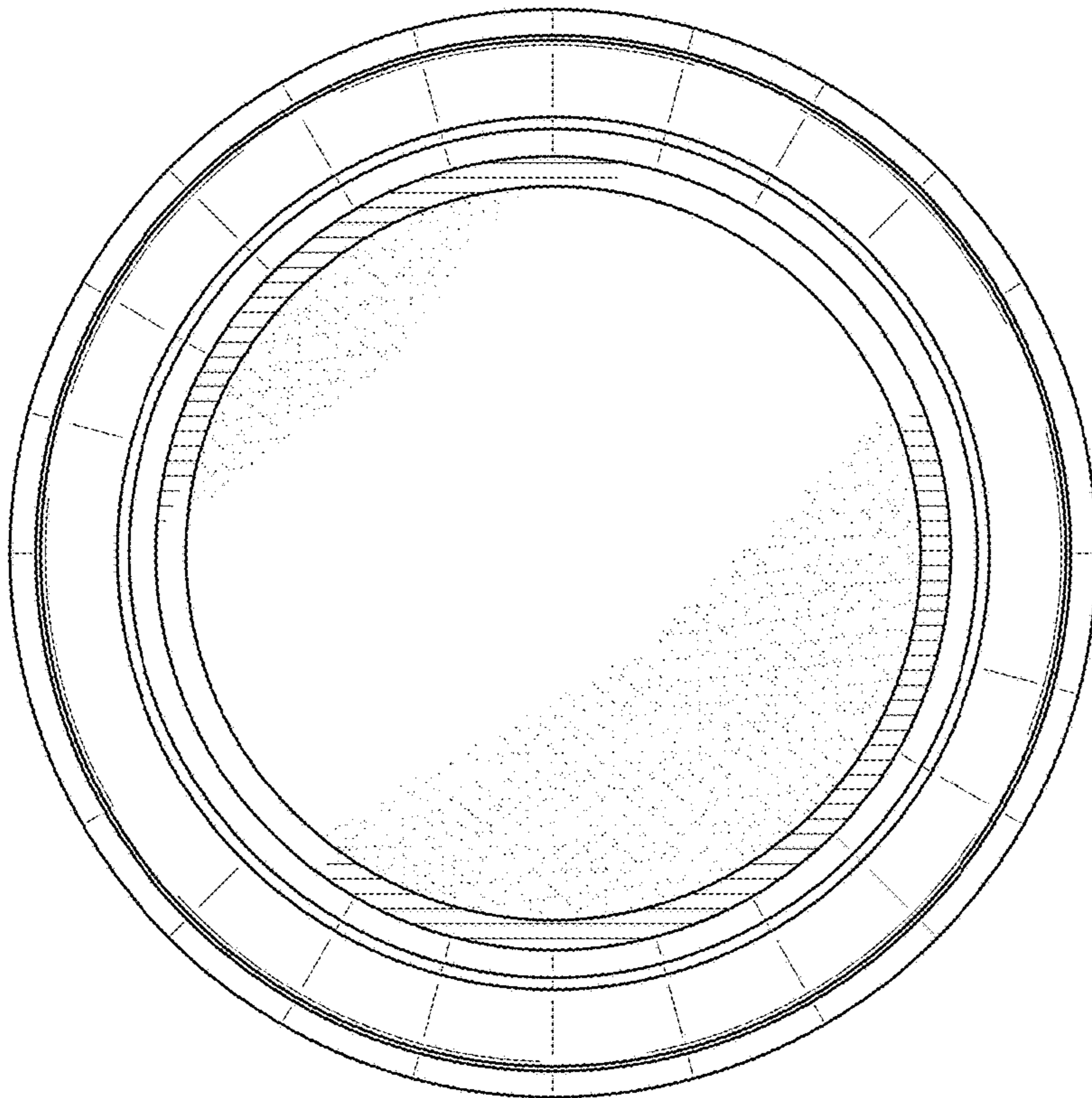
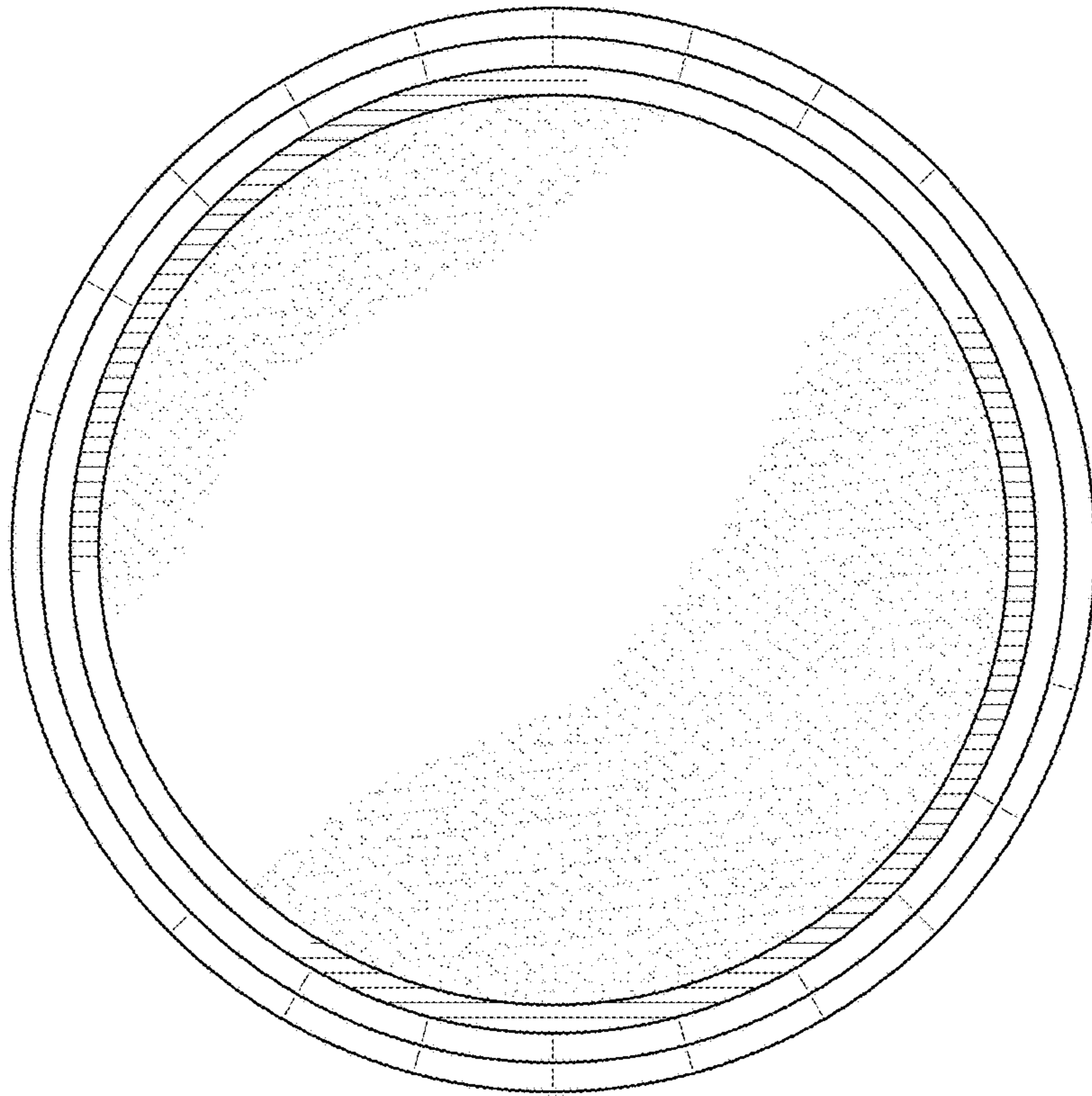


FIG. 4

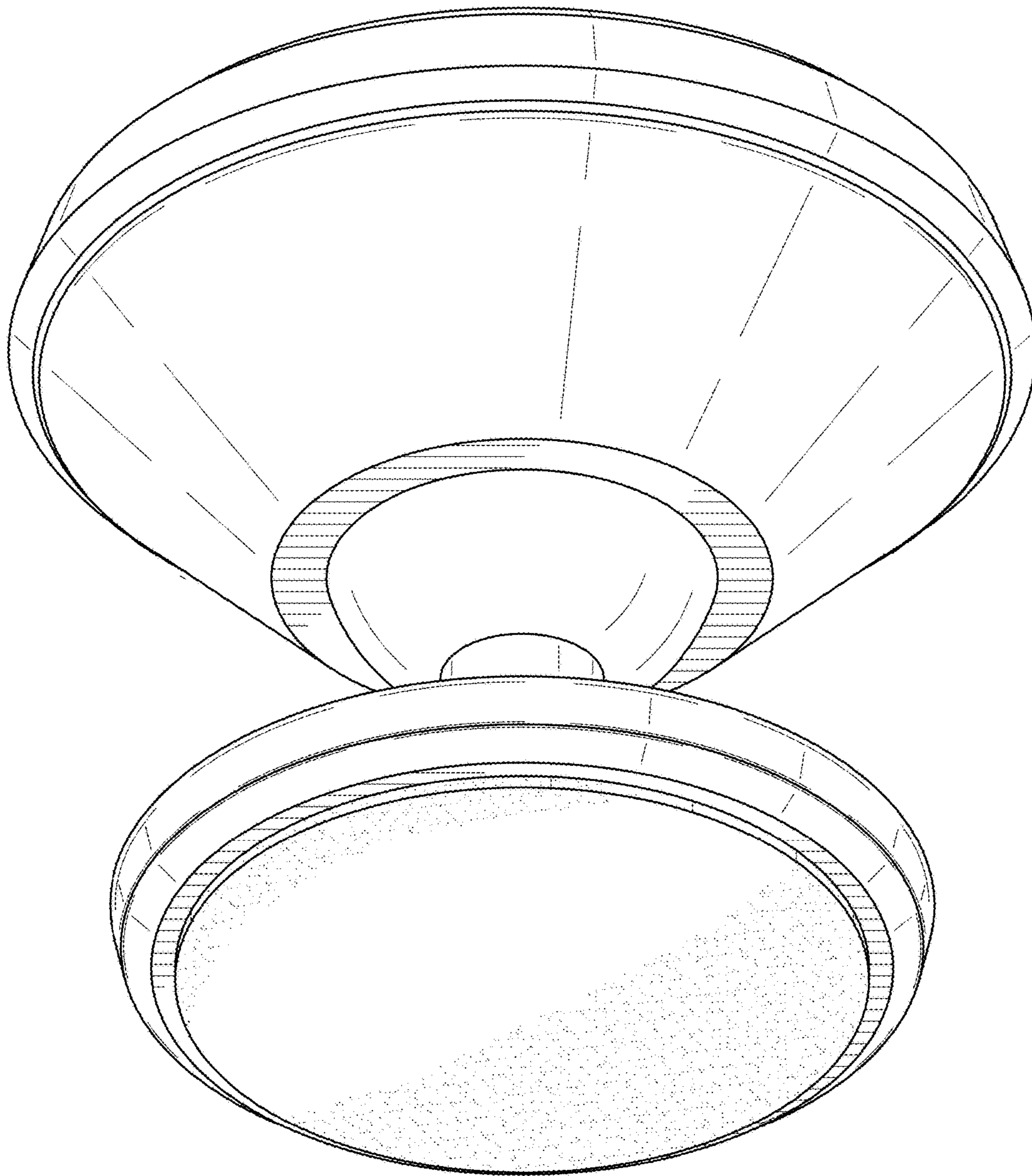


FIG. 5