



US00D799466S

(12) **United States Design Patent** (10) **Patent No.:** **US D799,466 S**
Sukphist et al. (45) **Date of Patent:** **** Oct. 10, 2017**

(54) **VENT MOUNT AND HOLDER COMBINATION FOR MOBILE DEVICES**

Primary Examiner — Janice Hallmark
(74) *Attorney, Agent, or Firm* — Lucas & Mercanti, LLP

(71) Applicant: **IOTTIE, Inc.**, New York, NY (US)

(72) Inventors: **Phistsuk Paul Sukphist**, Englewood, NJ (US); **Jeremy Leeds Frank**, Glen Head, NJ (US)

(57) **CLAIM**

The ornamental design for vent mount and holder combination for mobile devices, as shown and described.

(73) Assignee: **IOTTIE, INC.**, New York, NY (US)

(**) Term: **15 Years**

DESCRIPTION

(21) Appl. No.: **29/550,755**

(22) Filed: **Jan. 6, 2016**

(51) **LOC (10) Cl.** **14-03**

(52) **U.S. Cl.**
USPC **D14/253**

(58) **Field of Classification Search**
USPC D14/253, 251, 252, 447, 451, 452, 440, D14/434, 458, 432, 439, 457, 460, 238.1, D14/140, 142, 149, 217, 148, 140.8, D14/140.11, 209.1, 151, 140.9, 250, 238; D13/107, 108; D12/415, 223, 114, 420, D12/417, 407, 177; D3/218; D16/242-245, 250, 237, 203, 214, 219; D8/349; D6/675, 672, 673, 675.4, 553, D6/676, 310, 406.3, 406.4, 406.5, 406.6, D6/407, 567, 300, 682.3; 248/459, 460; 224/483
CPC B60R 2011/0008; B60R 11/02; B60R 11/0241; B60R 11/0258; B60R 11/0252; B60R 2011/0294; F16M 11/00; F16M
(Continued)

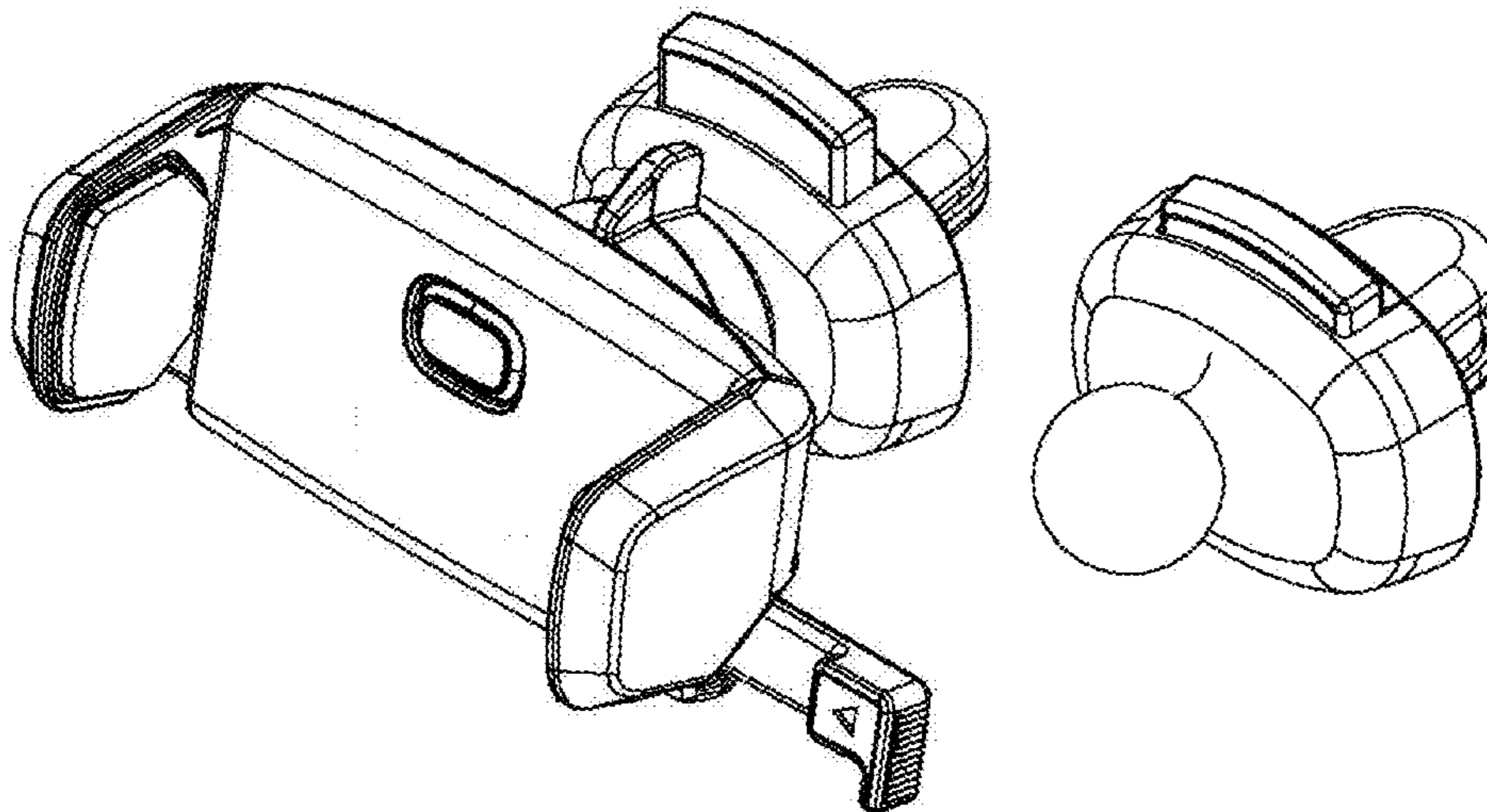
FIG. 1 is a front isometric view of a vent mount and holder combination for mobile devices showing our new design; FIG. 2 is a front view of a vent mount and holder combination for mobile devices showing our new design; FIG. 3 is a right side view of a vent mount and holder combination for mobile devices showing our new design; FIG. 4 is a top view of a vent mount and holder combination for mobile devices showing our new design; FIG. 5 is a bottom view of a vent mount and holder combination for mobile devices showing our new design; FIG. 6 is a front isometric view of a vent mount for the vent mount and holder combination for mobile devices showing our new design; FIG. 7 is a front view of a vent mount for the vent mount and holder combination for mobile devices showing our new design; FIG. 8 is a right side view of a vent mount for the vent mount and holder combination for mobile devices showing our new design; FIG. 9 is a right side view of a vent mount for the vent mount and holder combination for mobile devices showing our new design showing the clip open for mounting; FIG. 10 is a top view of a vent mount for the vent mount and holder combination for mobile devices showing our new design; and, FIG. 11 is a bottom view of a vent mount for the vent mount and holder combination for mobile devices showing our new design, wherein, the left side view is a mirror image of the right side view.

(56) **References Cited**

U.S. PATENT DOCUMENTS

7,219,867 B2 * 5/2007 Kalis B60R 11/0258
248/205.5
D590,696 S * 4/2009 Carnevali D8/354
(Continued)

1 Claim, 11 Drawing Sheets



(58) **Field of Classification Search**

CPC 11/04; F16M 11/041; F16M 11/02; F16M
11/06; F16M 13/00; H04M 1/02; H04M
1/04; H04M 1/11; H04M 1/12; A47F
7/022; B62J 11/00; H05K 7/00; G03B
17/56

See application file for complete search history.

(56) **References Cited**

U.S. PATENT DOCUMENTS

D690,707	S	*	10/2013	Minn	D14/447
D711,867	S	*	8/2014	Harris	D14/253
D716,215	S	*	10/2014	Dunn	D12/415
D718,297	S	*	11/2014	Aspinall	D14/253
D718,298	S	*	11/2014	Aspinall	D14/253
D720,759	S	*	1/2015	Deng	D14/447
D732,519	S	*	6/2015	Aspinall	D14/253
D733,115	S	*	6/2015	Aspinall	D14/253
D733,116	S	*	6/2015	Aspinall	D14/253
D748,615	S	*	2/2016	Lee	D14/251
2016/0082893	A1	*	3/2016	Ormsbee	B60R 11/0241 224/558

* cited by examiner

FIGURE 1

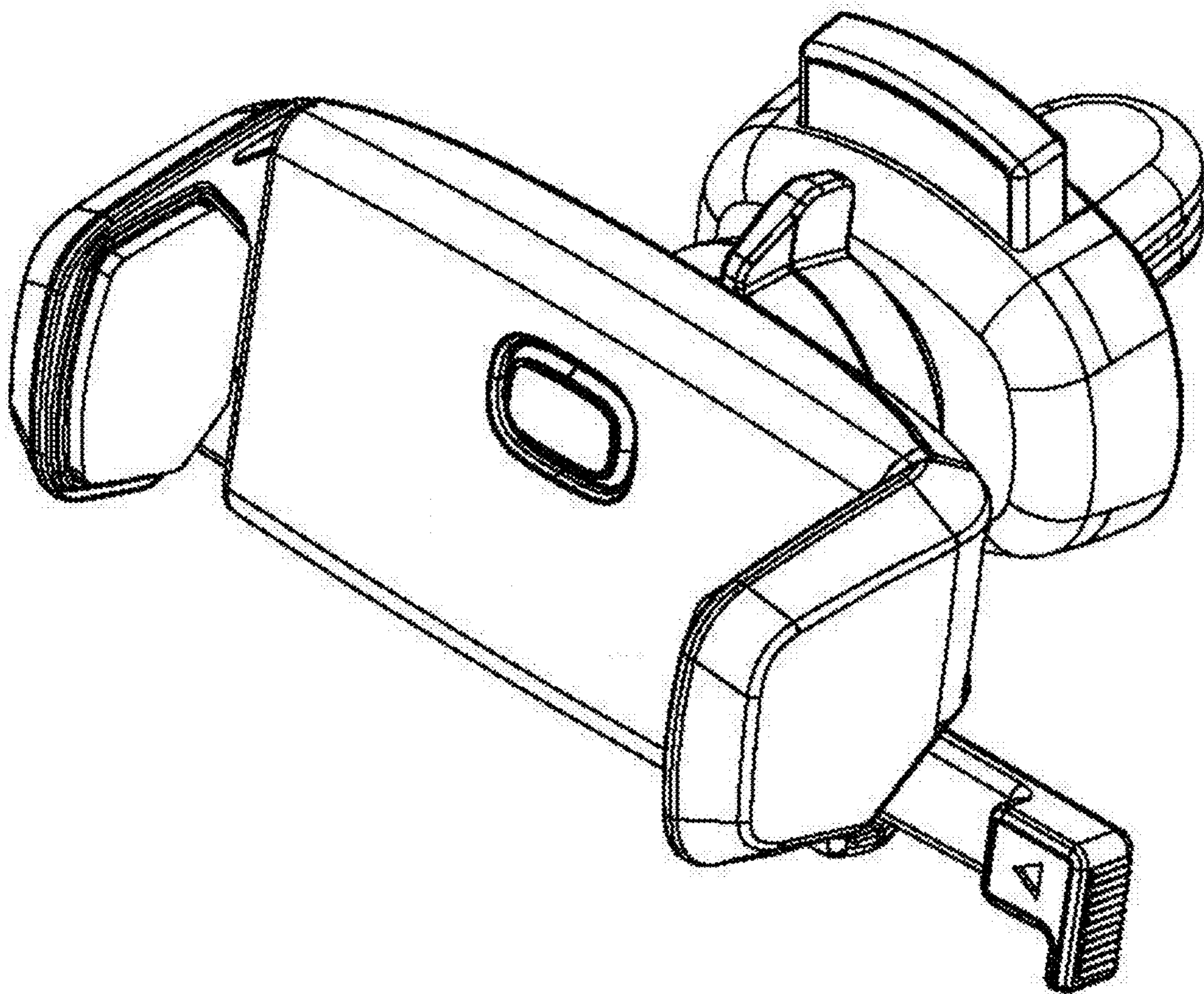


FIGURE 2

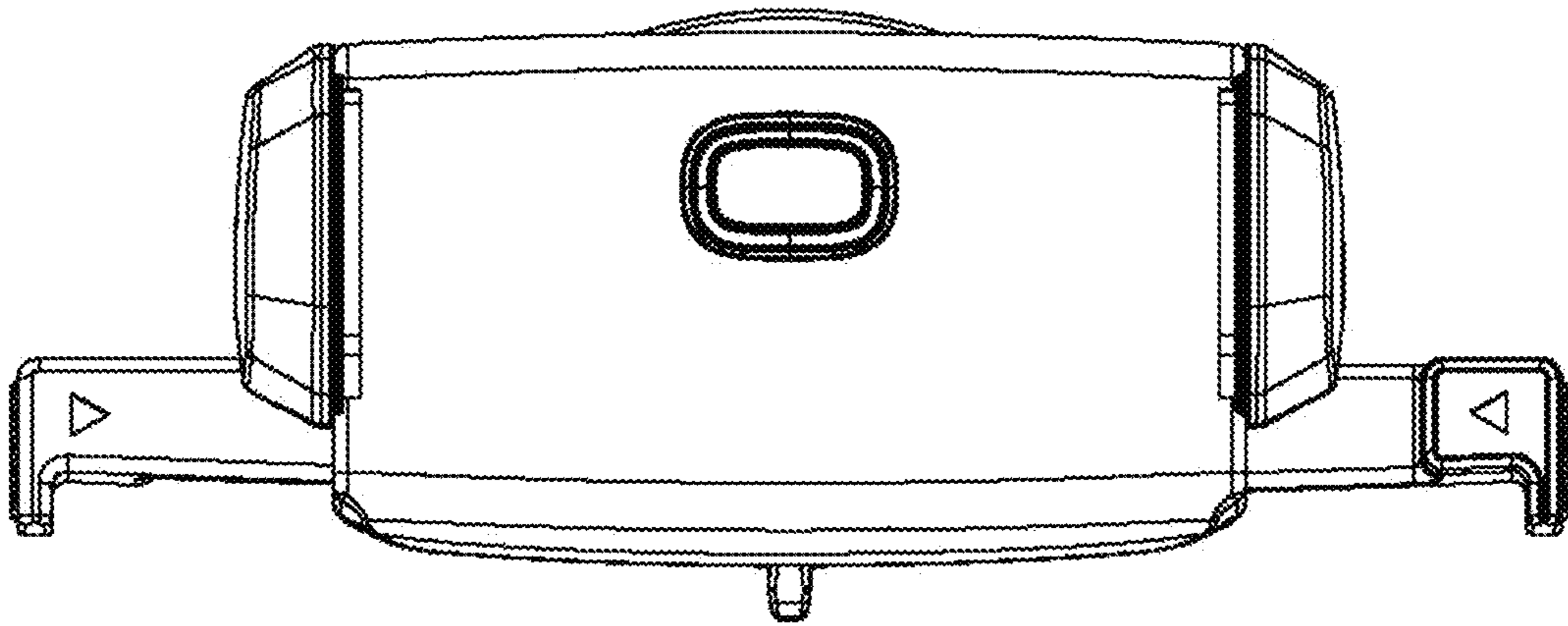


FIGURE 3

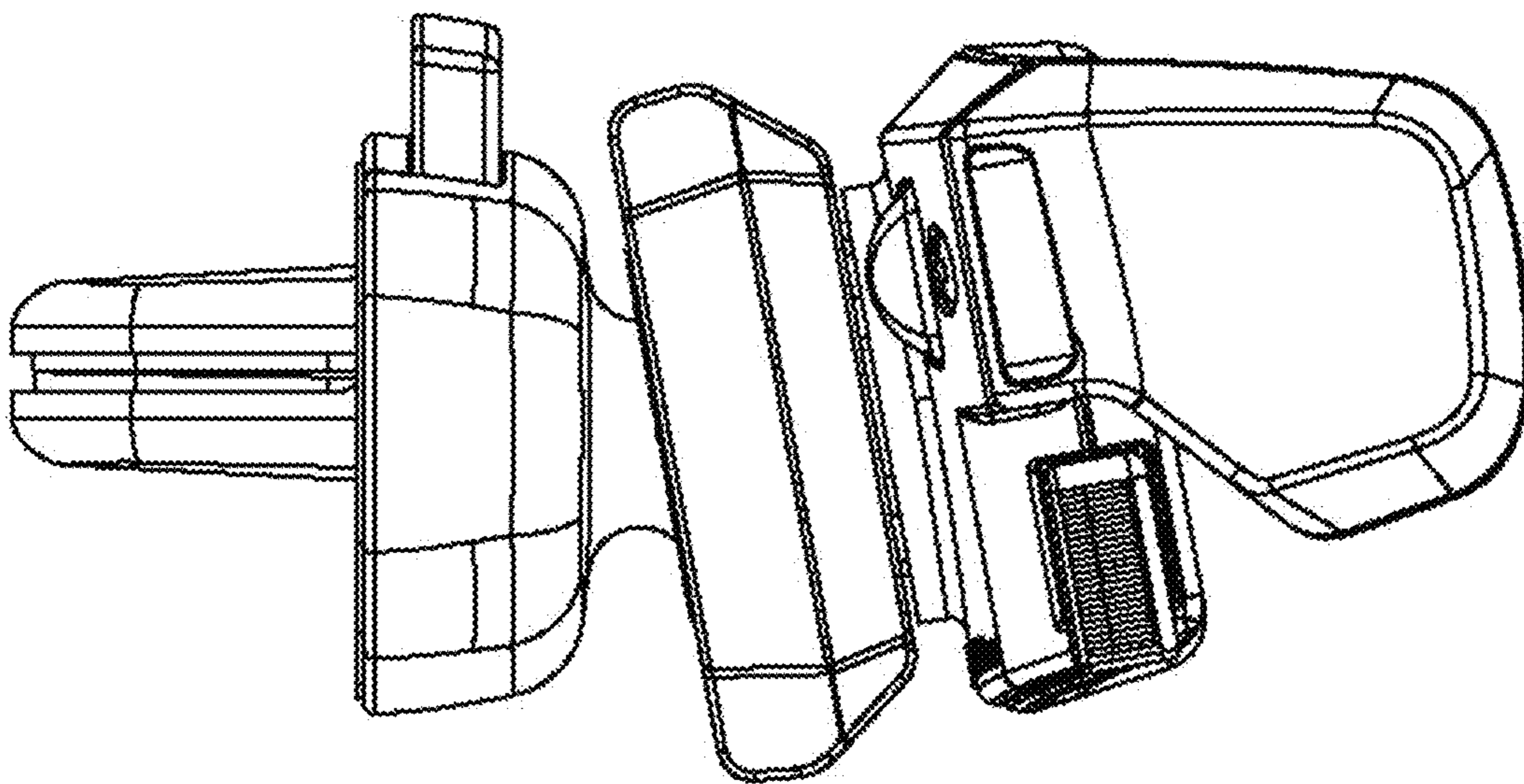


FIGURE 4

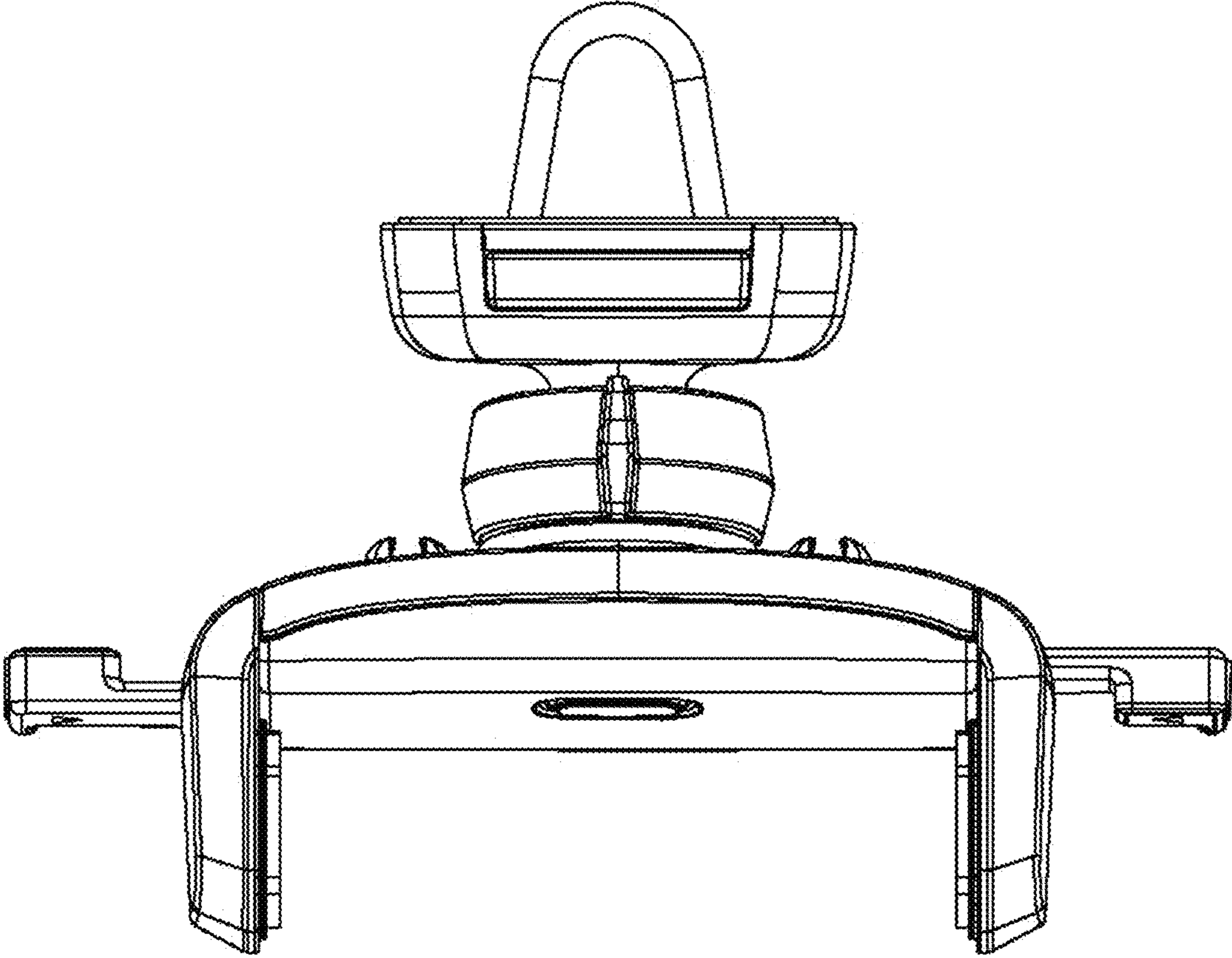


FIGURE 5

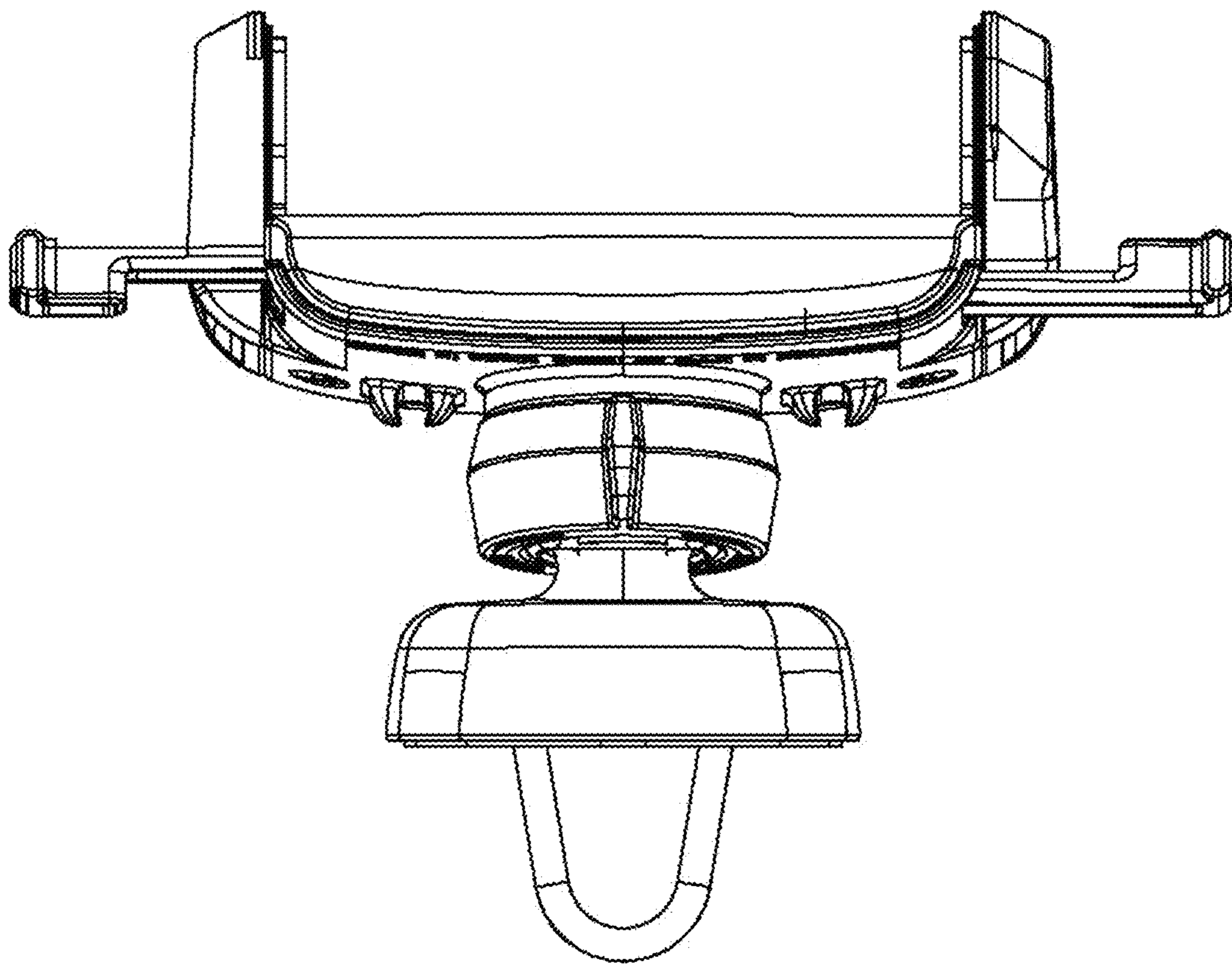


FIGURE 6

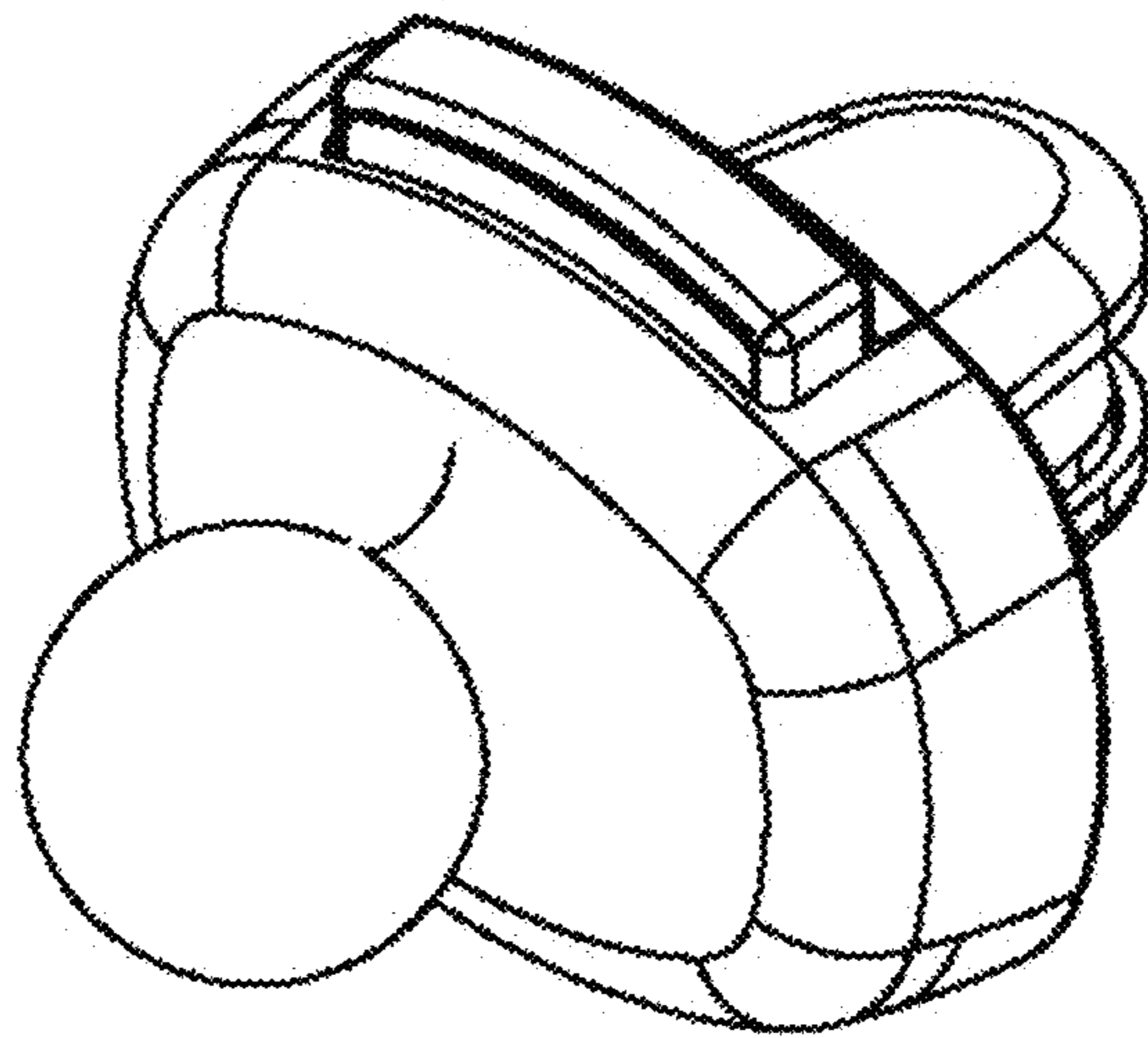


FIGURE 7

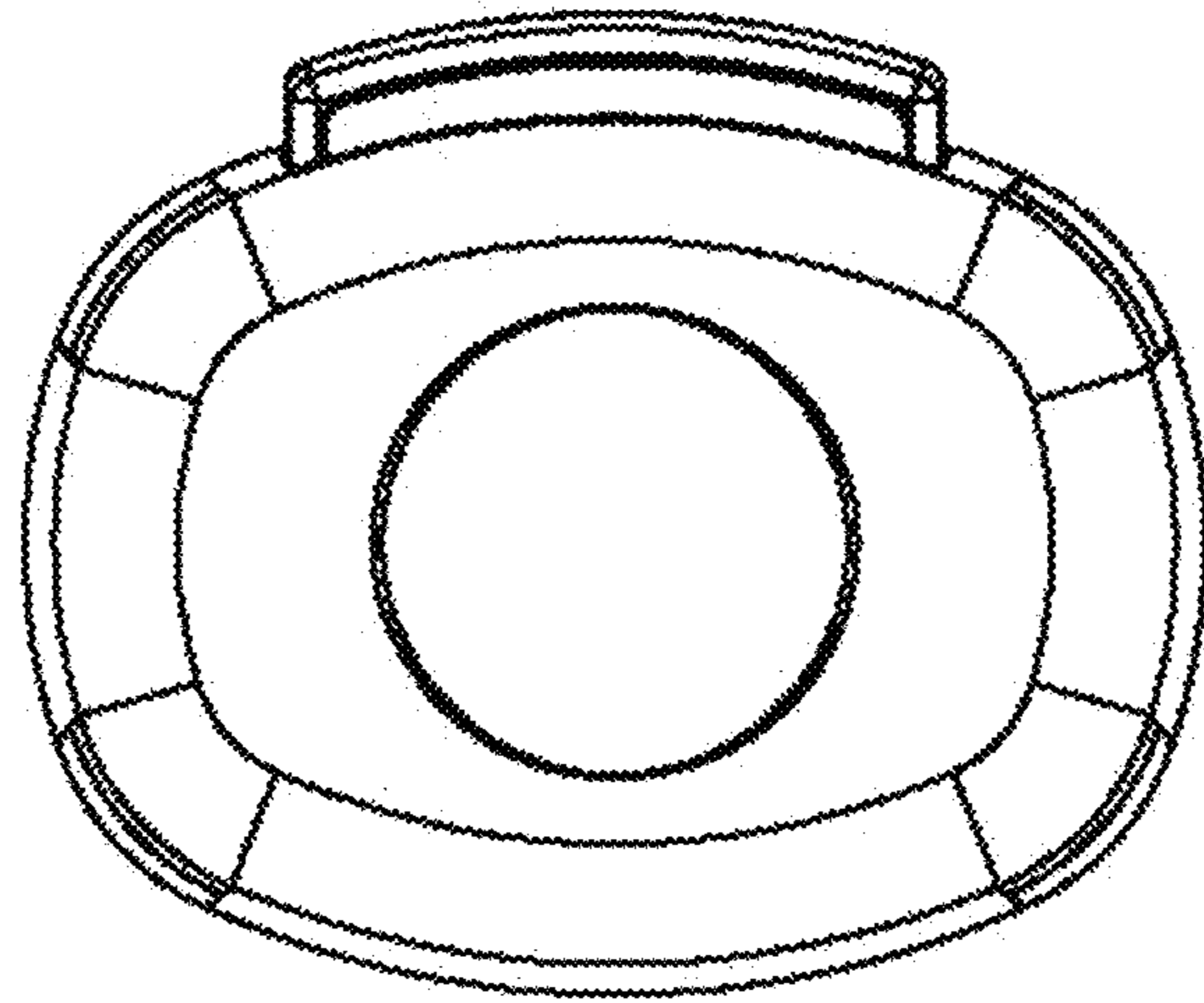


FIGURE 8

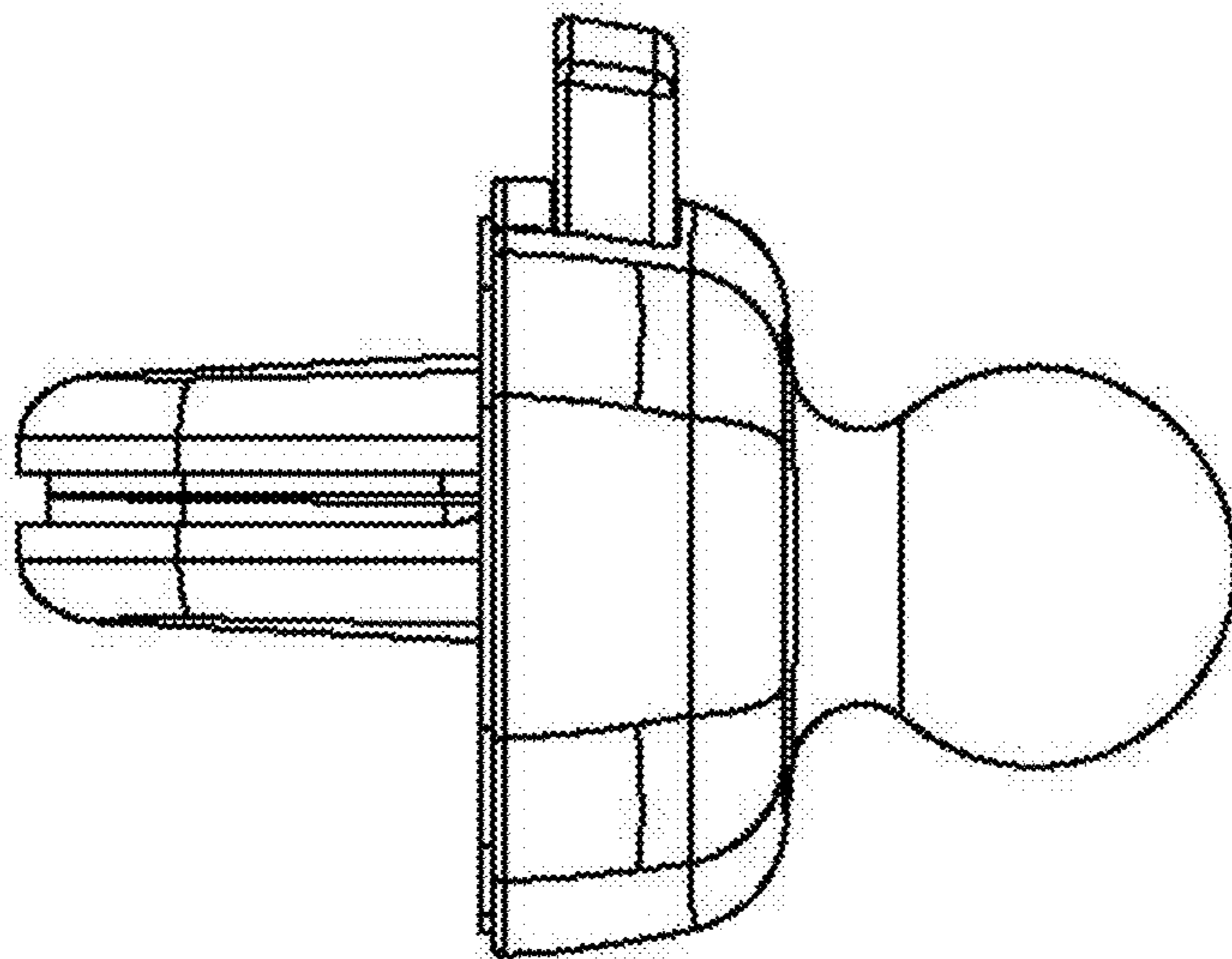


FIGURE 9

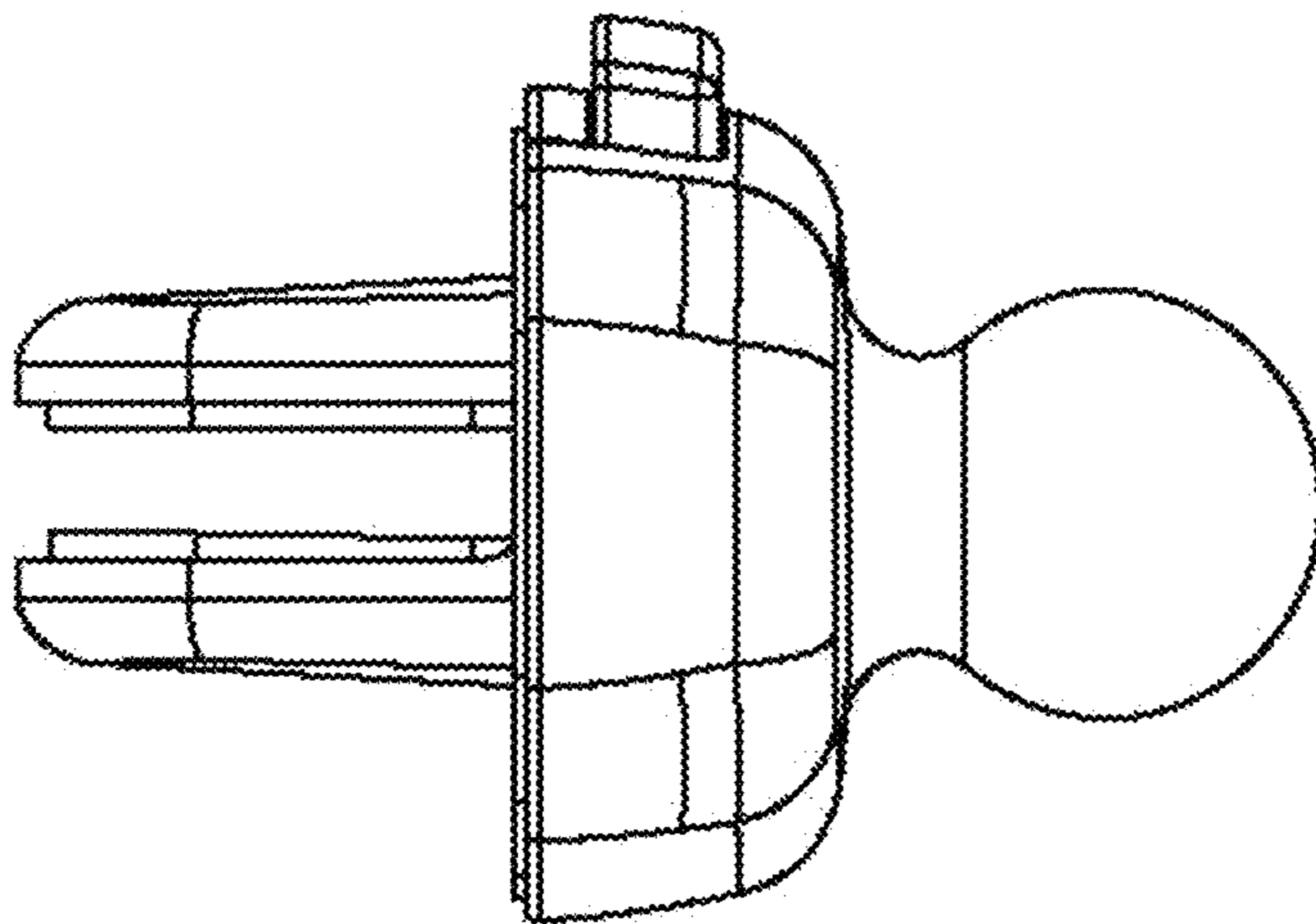


FIGURE 10

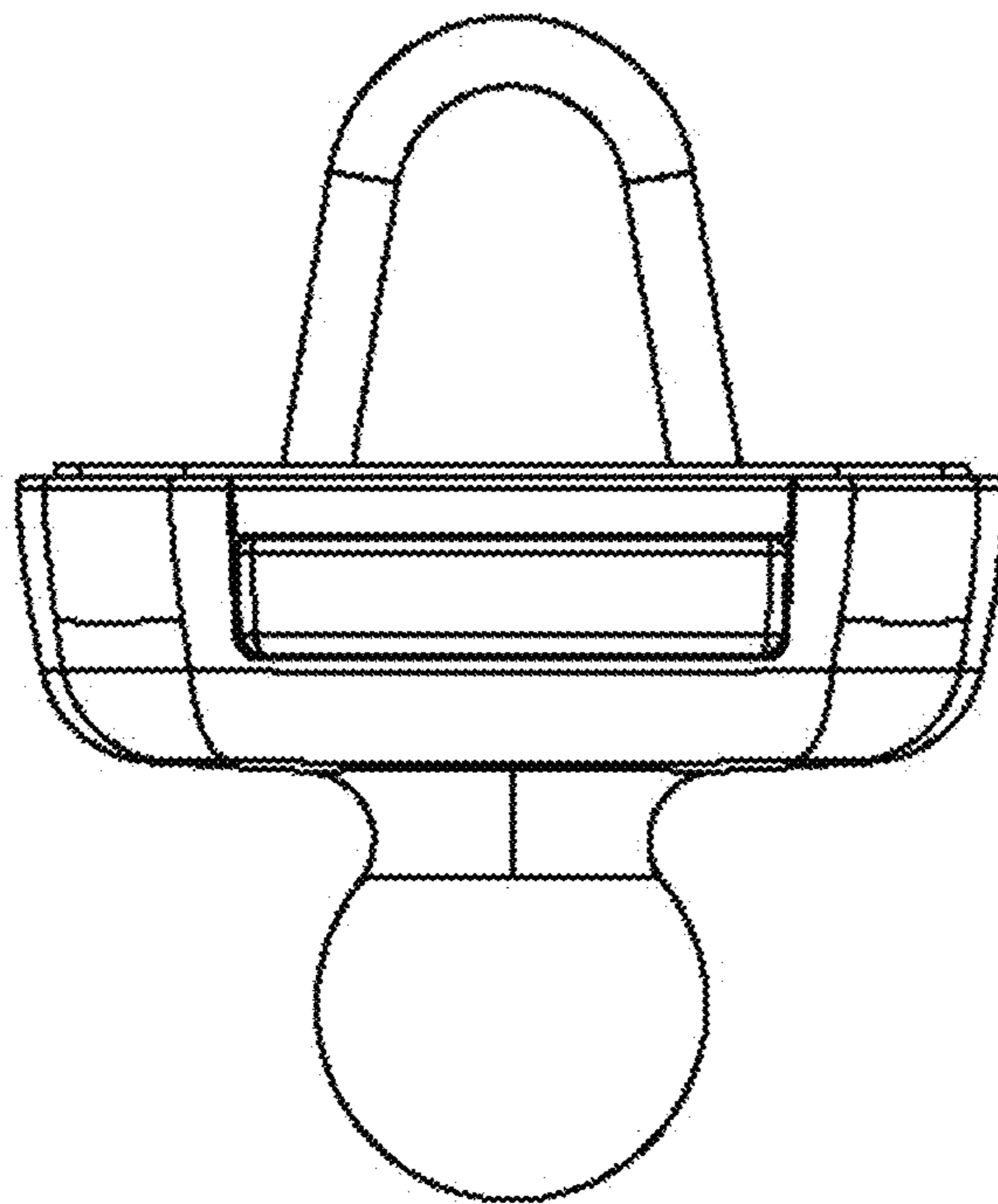


FIGURE 11

