



US00D799465S

(12) **United States Design Patent** (10) **Patent No.:** **US D799,465 S**  
**Sukphist et al.** (45) **Date of Patent:** **\*\* Oct. 10, 2017**

(54) **SELFIE STICK WITH REMOTE**  
(71) Applicant: **IOTTIE, INC.**, New York, NY (US)  
(72) Inventors: **Phistsuk Paul Sukphist**, Englewood, NJ (US); **Jeremy Leeds Frank**, Glen Head, NJ (US)  
(73) Assignee: **IOTTIE, INC.**, New York, NY (US)  
(\*\*) Term: **15 Years**

(21) Appl. No.: **29/550,753**  
(22) Filed: **Jan. 6, 2016**  
(51) **LOC (10) Cl.** ..... **14-03**  
(52) **U.S. Cl.**  
USPC ..... **D14/253**  
(58) **Field of Classification Search**  
USPC ..... D14/253, 251, 252, 447, 451, 452, 440, D14/434, 458, 432, 439, 457, 460, 238.1, D14/140, 142, 149, 217, 148, 140.8, D14/140.11, 209.1, 151, 140.9, 250, 238; D13/107, 108; D12/415, 223, 114, 420, D12/417, 407, 177; D3/218; D16/242-245, 250, 237, 203, 214, 219; D8/349; D6/675, 672, 673, 675.4, 553, D6/676, 310, 406.3, 406.4, 406.5, 406.6, D6/407, 567, 300, 682.3, 396; 248/459, 248/460; 224/483; D24/223; D9/457; 348/375, 376; D21/466  
CPC ..... B60R 2011/0008; B60R 11/02; B60R 11/0241; B60R 11/0258; B60R 11/0252; B60R 2011/0294; F16M 11/00; F16M 11/04; F16M 11/041; F16M 11/02; F16M 11/06; F16M 13/00; H04M 1/02; H04M  
(Continued)

(56) **References Cited**  
U.S. PATENT DOCUMENTS  
D670,284 S \* 11/2012 Choi ..... D14/253  
D671,110 S \* 11/2012 Choi ..... D14/253  
(Continued)

*Primary Examiner* — Janice Hallmark  
(74) *Attorney, Agent, or Firm* — Lucas & Mercanti LLP

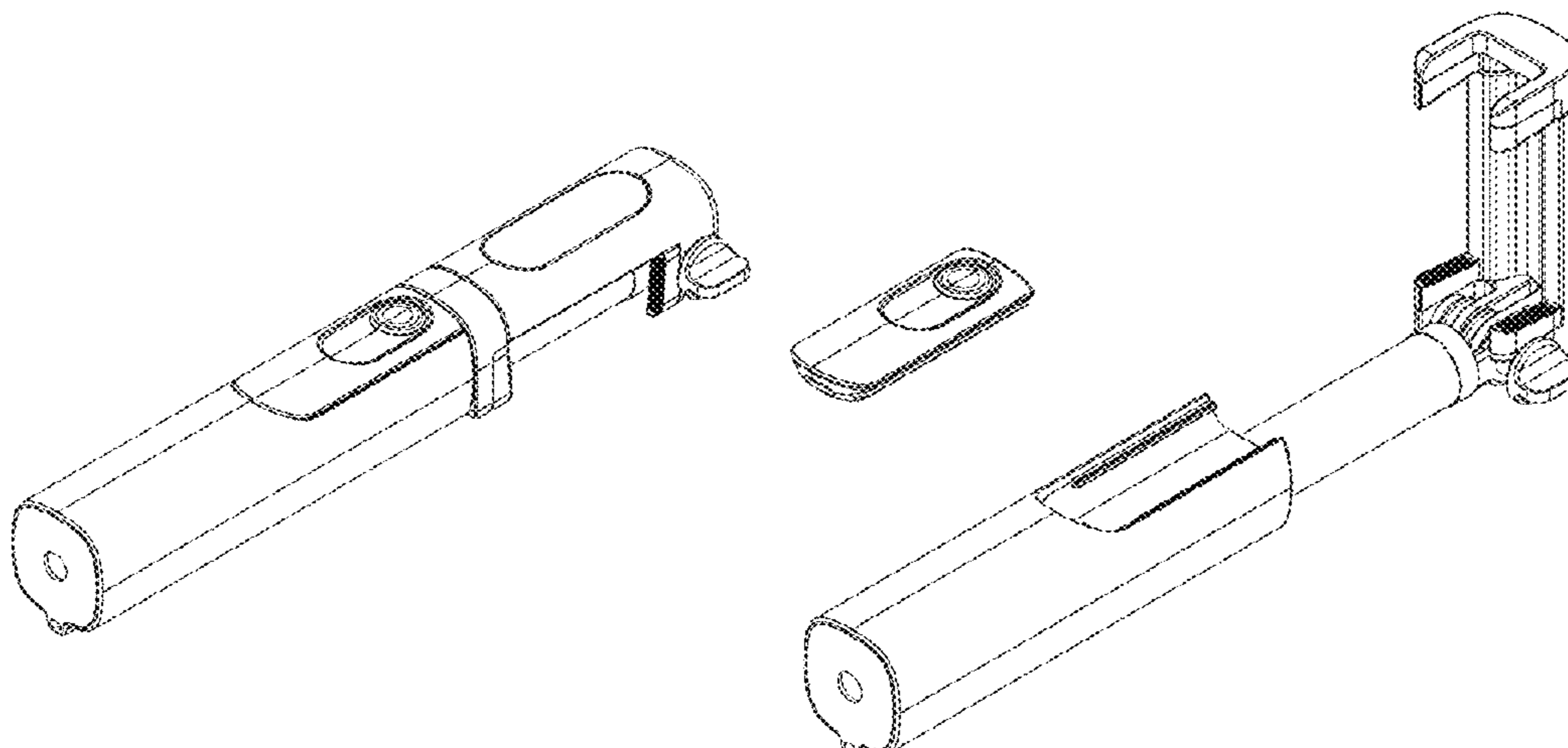
(57) **CLAIM**

The ornamental design for selfie stick with remote, as shown and described.

**DESCRIPTION**

FIG. 1 is a first front perspective view of a selfie stick with remote showing our new design;  
FIG. 2 is a front view thereof;  
FIG. 3 is a rear view thereof;  
FIG. 4 is a first side view thereof;  
FIG. 5 is a second side view thereof;  
FIG. 6 is a top view thereof;  
FIG. 7 is a bottom view thereof;  
FIG. 8 is a third side view of the selfie stick with remote of FIG. 1 with opened arm shown for clarity of disclosure;  
FIG. 9 is a fourth side view thereof;  
FIG. 10 is a front view thereof;  
FIG. 11 is a front perspective view thereof;  
FIG. 12 is a side view of the selfie stick with remote of FIG. 1 with opened arm and extended stick shown for clarity of disclosure;  
FIG. 13 is a front perspective view thereof;  
FIG. 14 is a front view of the selfie stick with remote of FIG. 1 with opened arm and remote detached shown for clarity of disclosure;  
FIG. 15 is a front perspective view thereof;  
FIG. 16 is a front view of the remote part of the selfie stick with remote of FIG. 1 shown for clarity of disclosure;  
FIG. 17 is a rear view thereof;  
FIG. 18 is a side view thereof;  
FIG. 19 is a top view thereof; and,  
FIG. 20 is a bottom view thereof.  
The broken lines in the drawings depict parts of the selfie stick with remote that form no part of the claimed design.

**1 Claim, 20 Drawing Sheets**



(58) **Field of Classification Search**

CPC .. 1/04; H04M 1/11; H04M 1/12; A47F 7/022;  
B62J 11/00; H05K 7/00; G03B 17/56

See application file for complete search history.

(56) **References Cited**

U.S. PATENT DOCUMENTS

D678,387	S *	3/2013	Stump .....	D16/244
D714,775	S *	10/2014	Yoo .....	D14/253
D715,791	S *	10/2014	Yu .....	D14/253
D720,344	S *	12/2014	Yu .....	D14/253
D723,024	S *	2/2015	Yoo .....	D14/253
9,115,740	B2 *	8/2015	Chang .....	F16M 11/041
9,170,473	B1 *	10/2015	Li .....	F16M 11/28
D747,399	S *	1/2016	Stump .....	D16/243
9,332,170	B1 *	5/2016	Khalili .....	G03B 17/563
2010/0200710	A1 *	8/2010	Shenouda .....	F16M 13/00 248/157
2013/0176412	A1 *	7/2013	Chen .....	H04N 7/183 348/77
2014/0313358	A1 *	10/2014	Yu .....	H04N 5/23222 348/211.7

\* cited by examiner

FIGURE 1

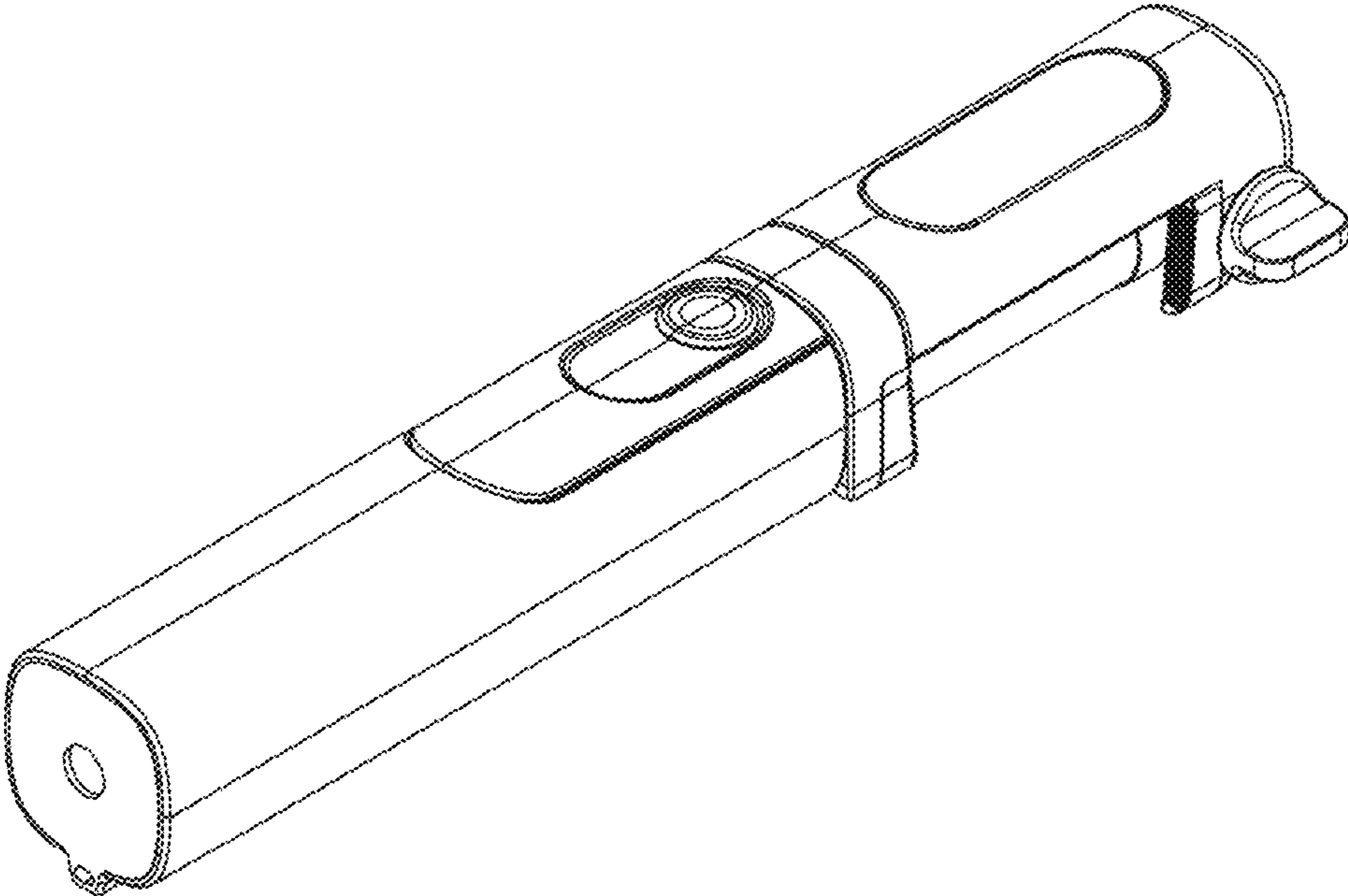


FIGURE 2

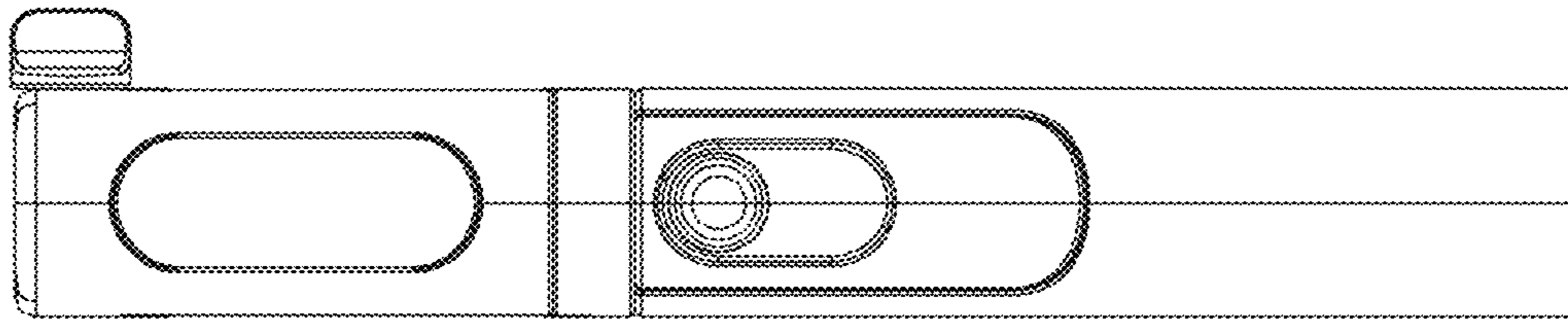


FIGURE 3

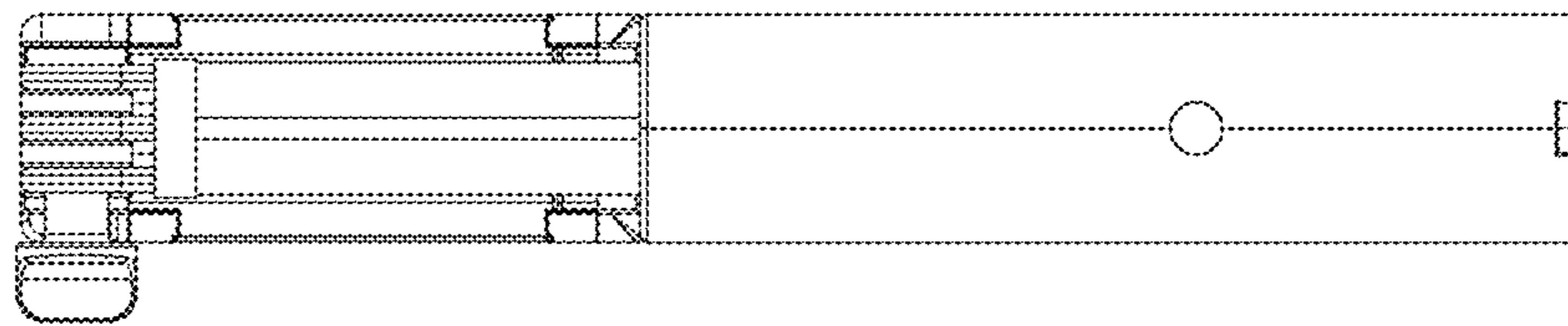


FIGURE 4

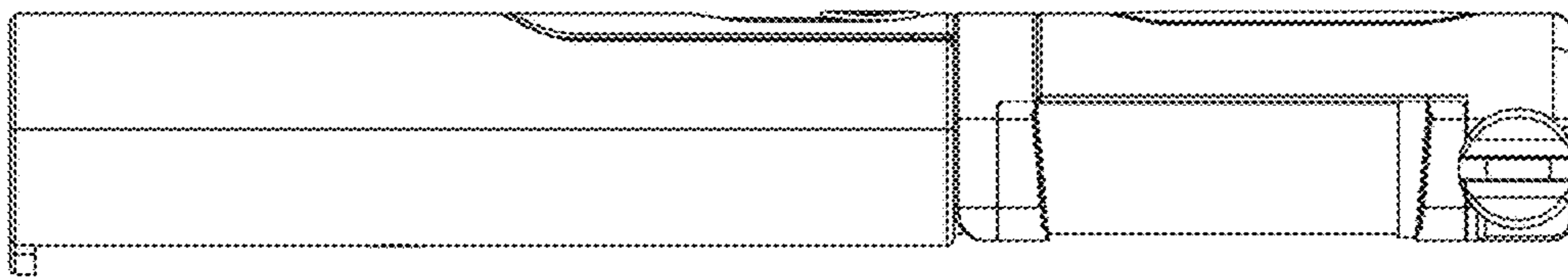


FIGURE 5

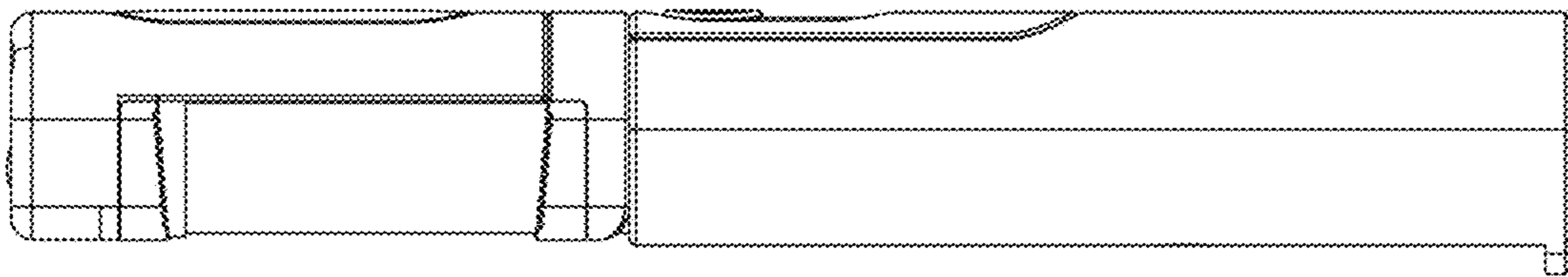


FIGURE 6

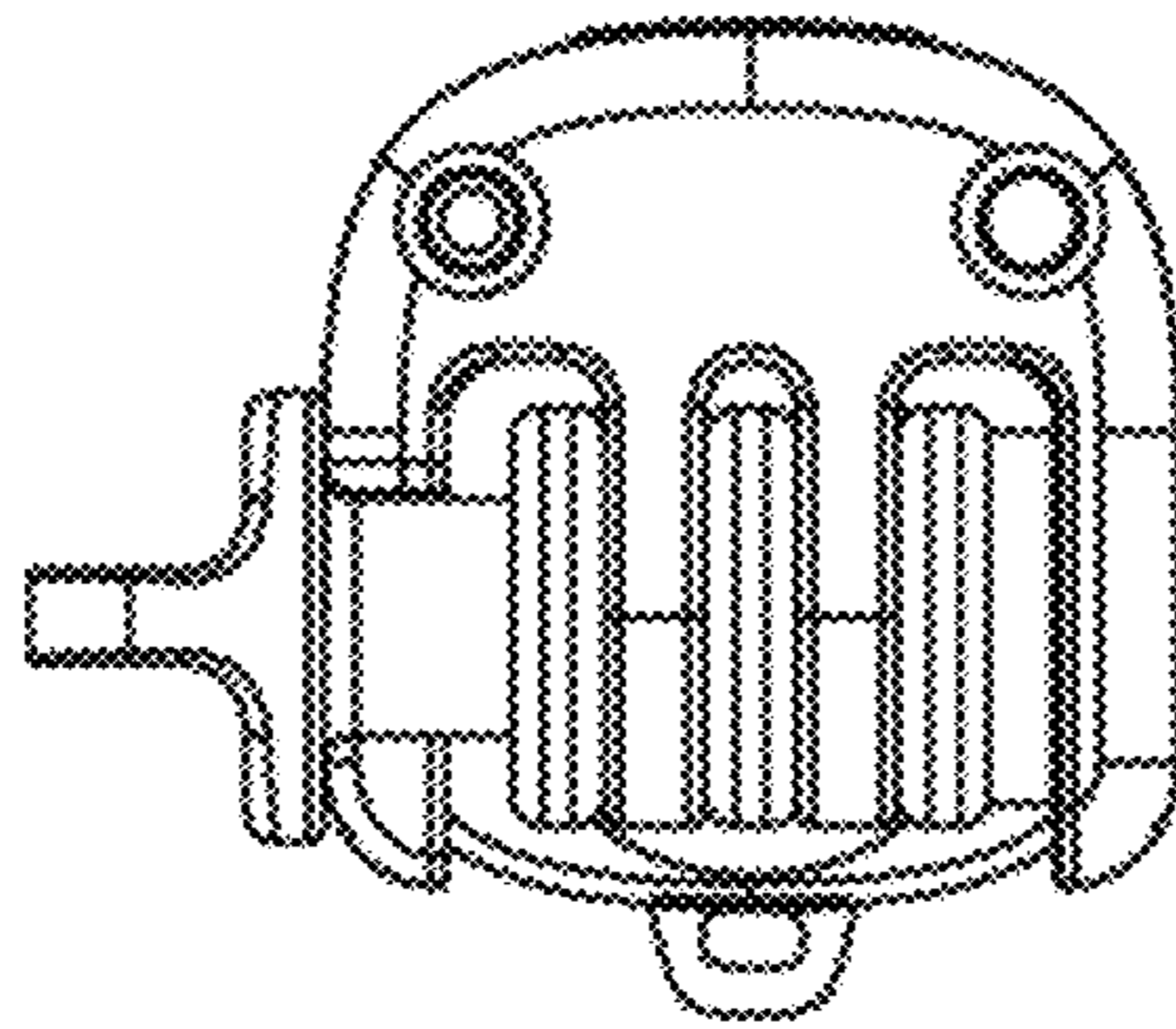




FIGURE 7

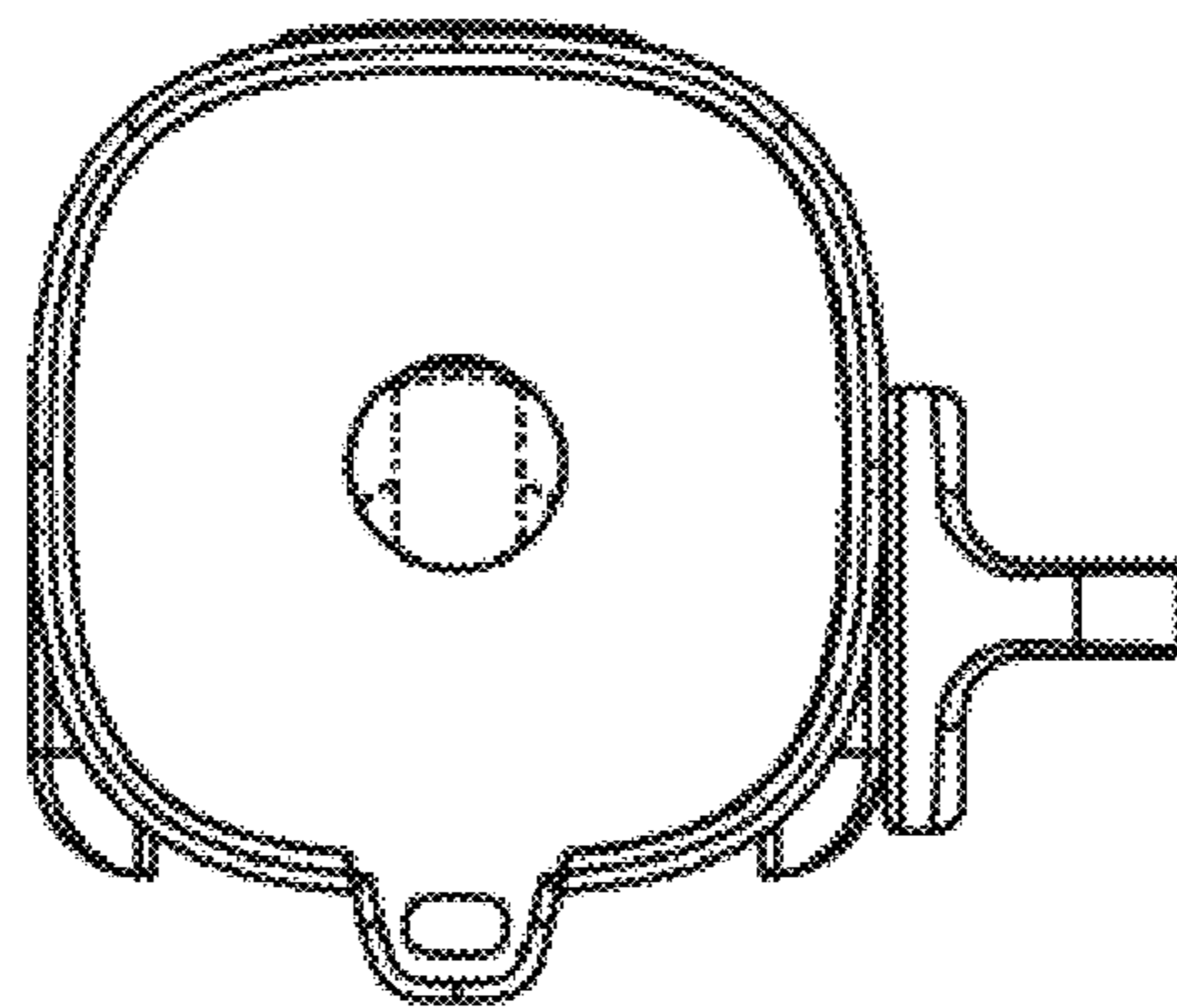


FIGURE 8

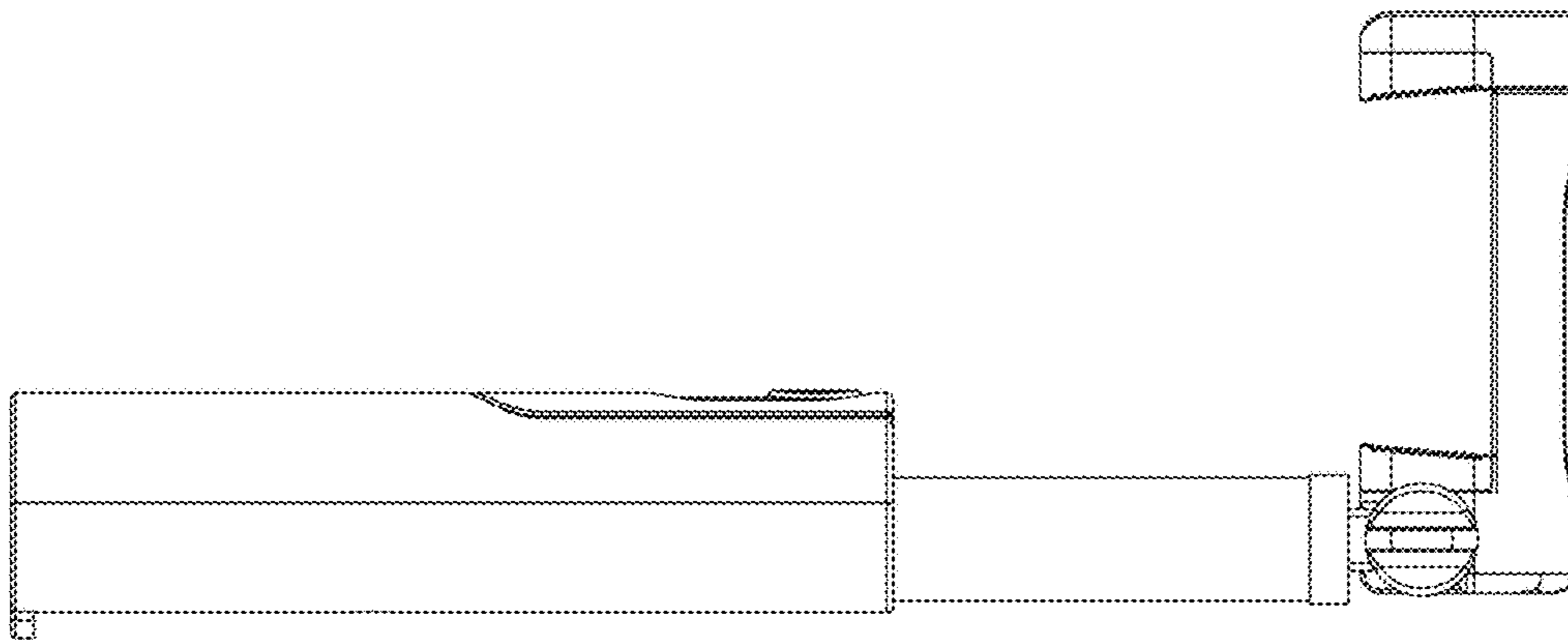


FIGURE 9

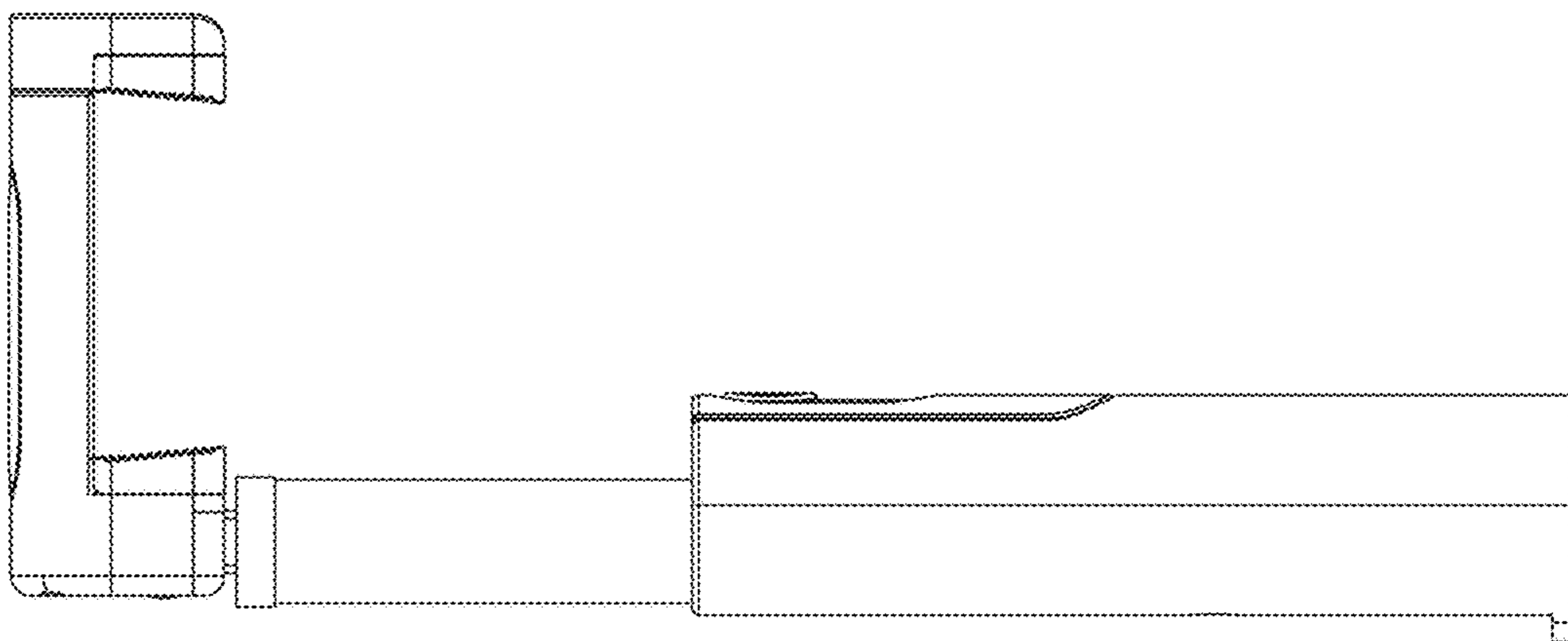


FIGURE 10

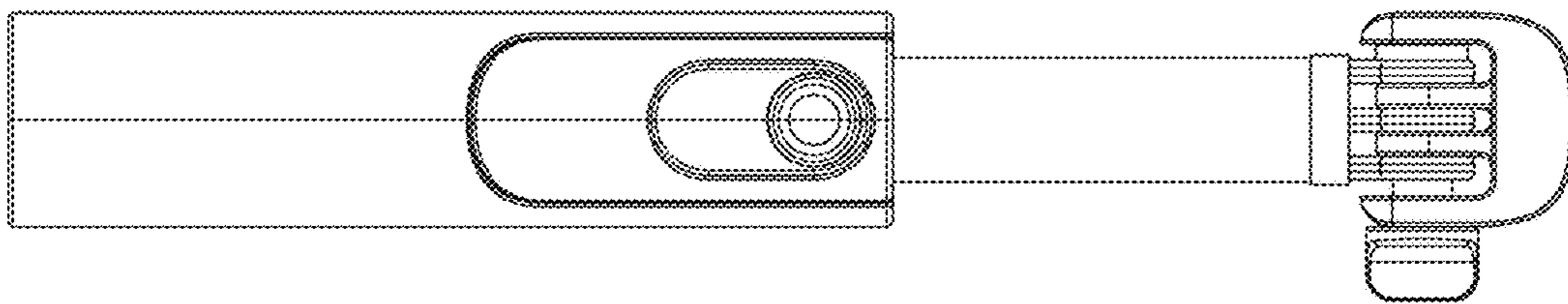


FIGURE 11

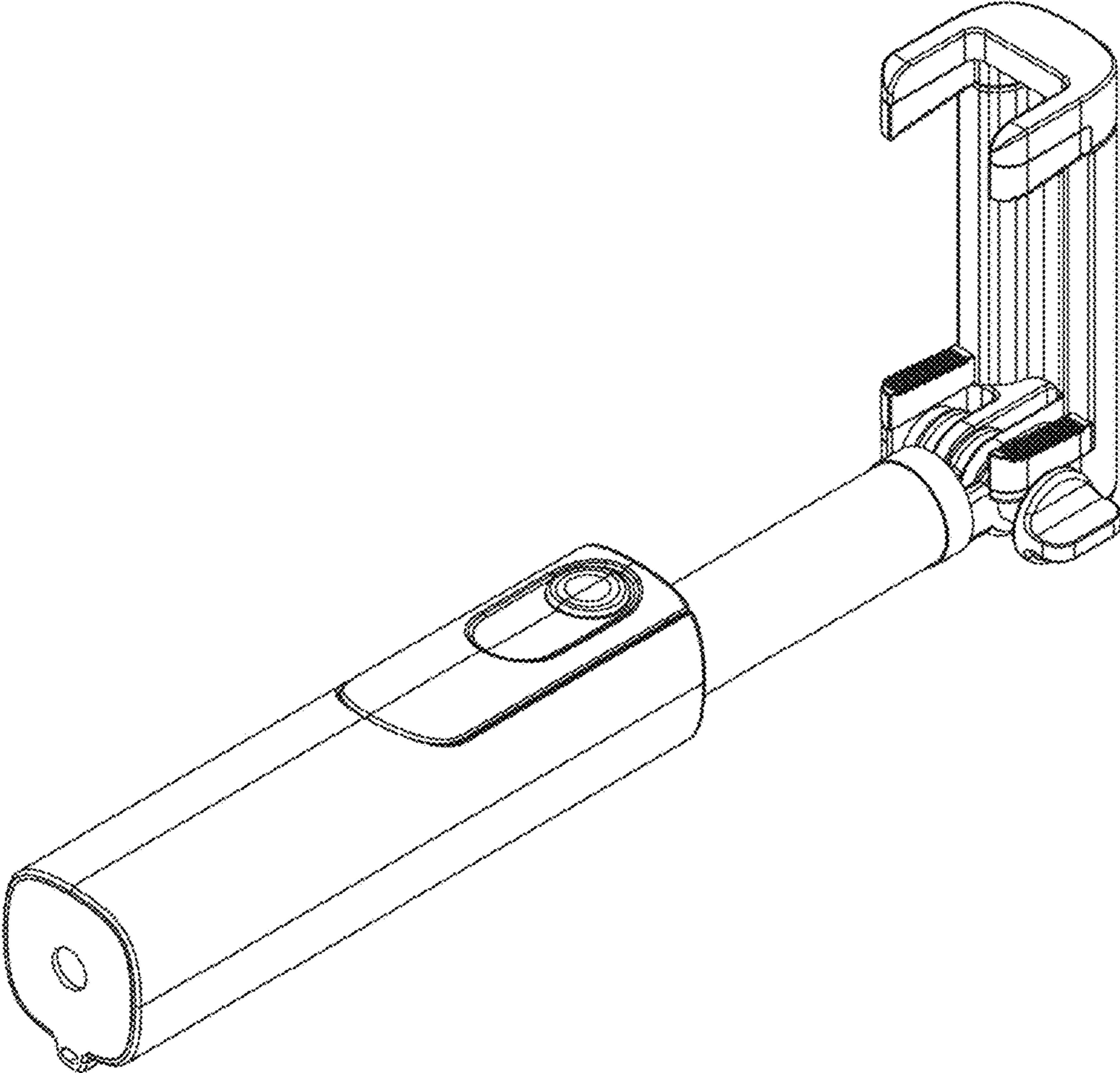


FIGURE 12

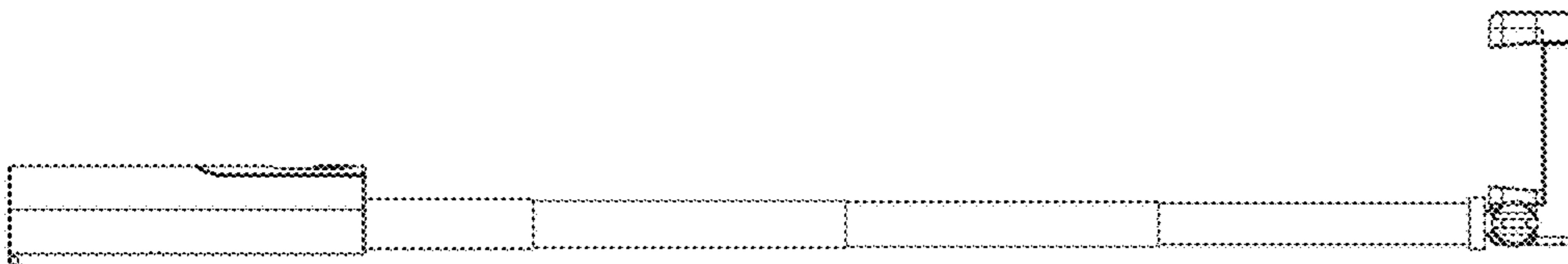


FIGURE 13

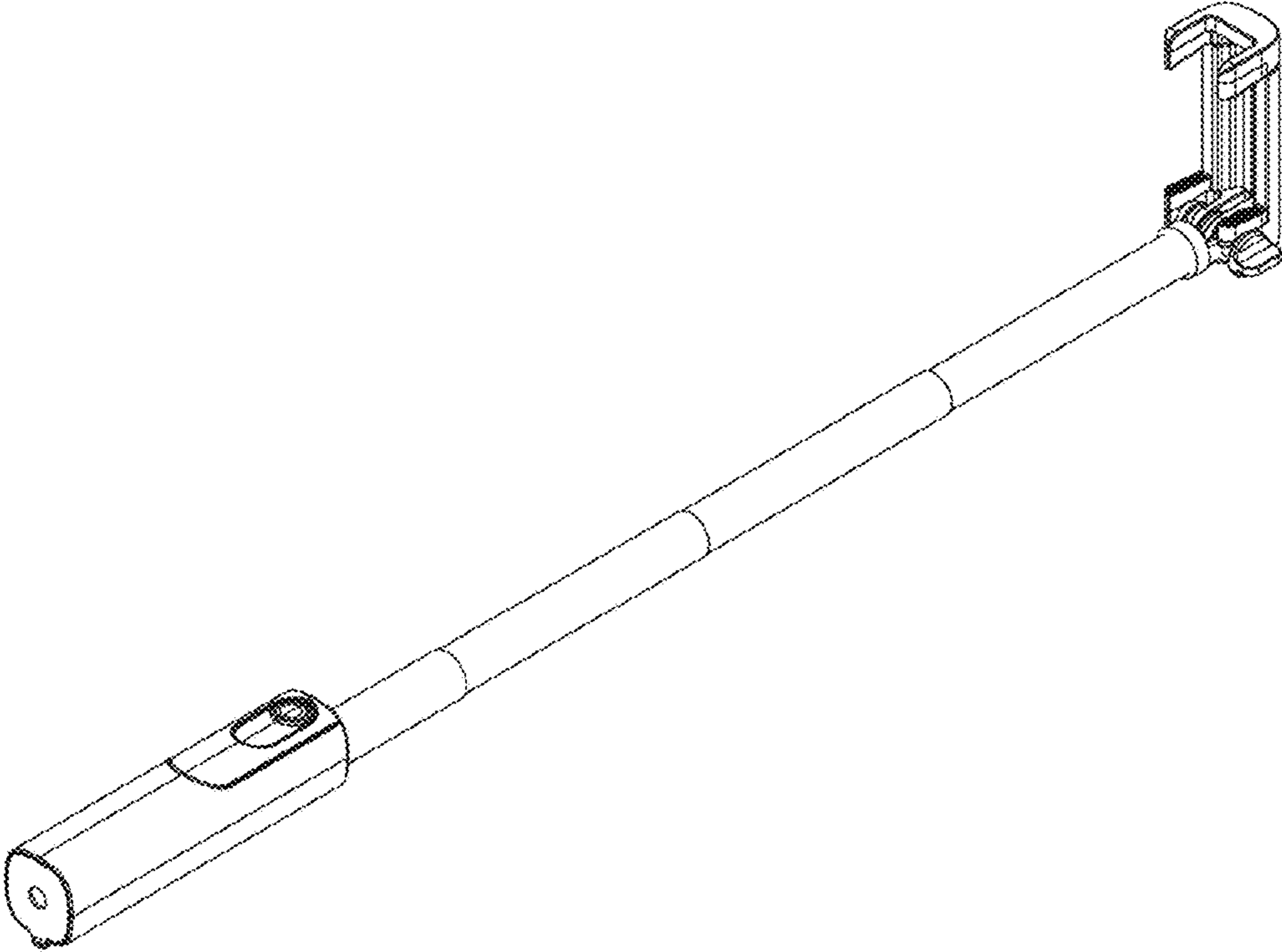


FIGURE 14

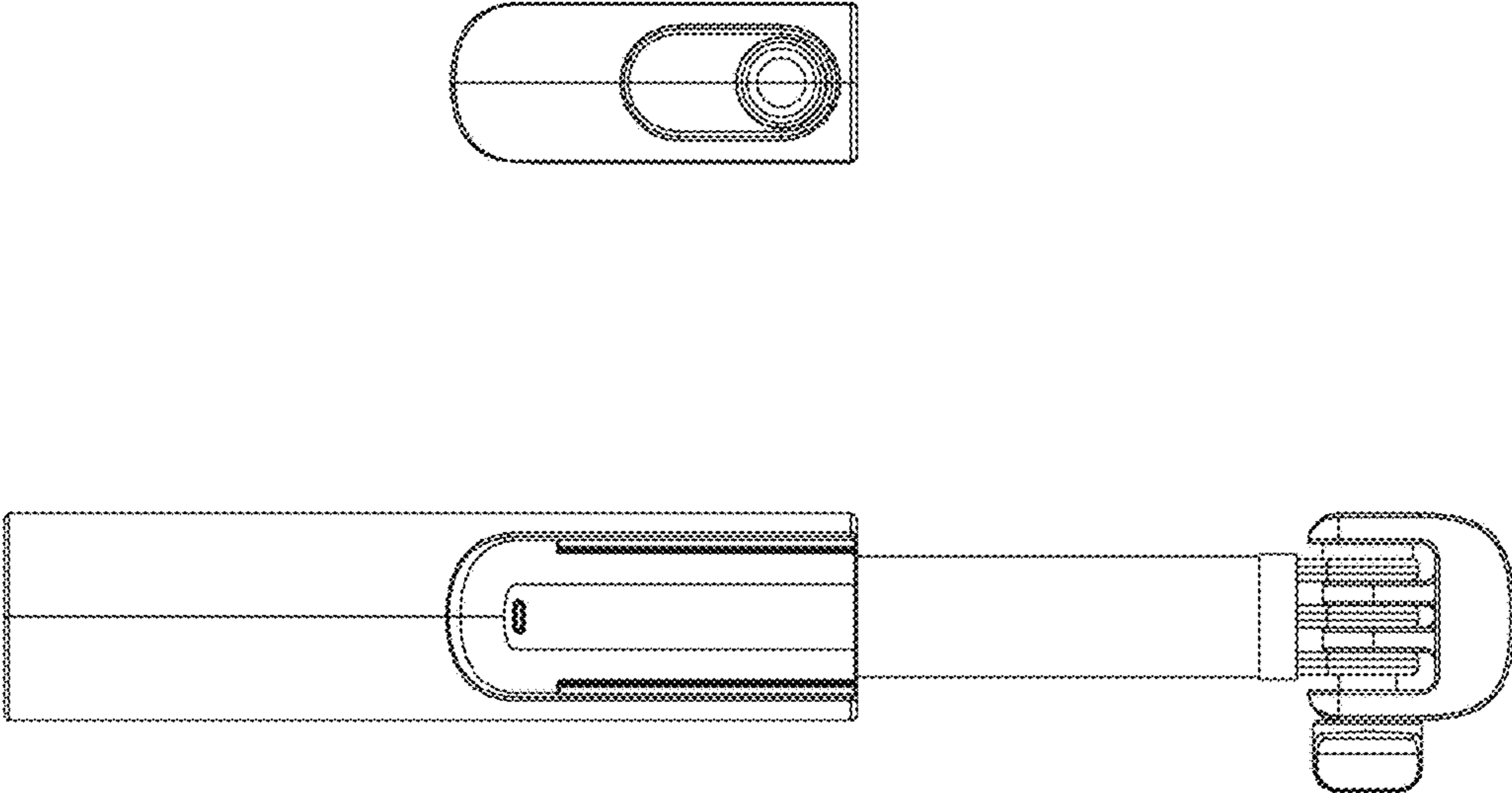




FIGURE 15

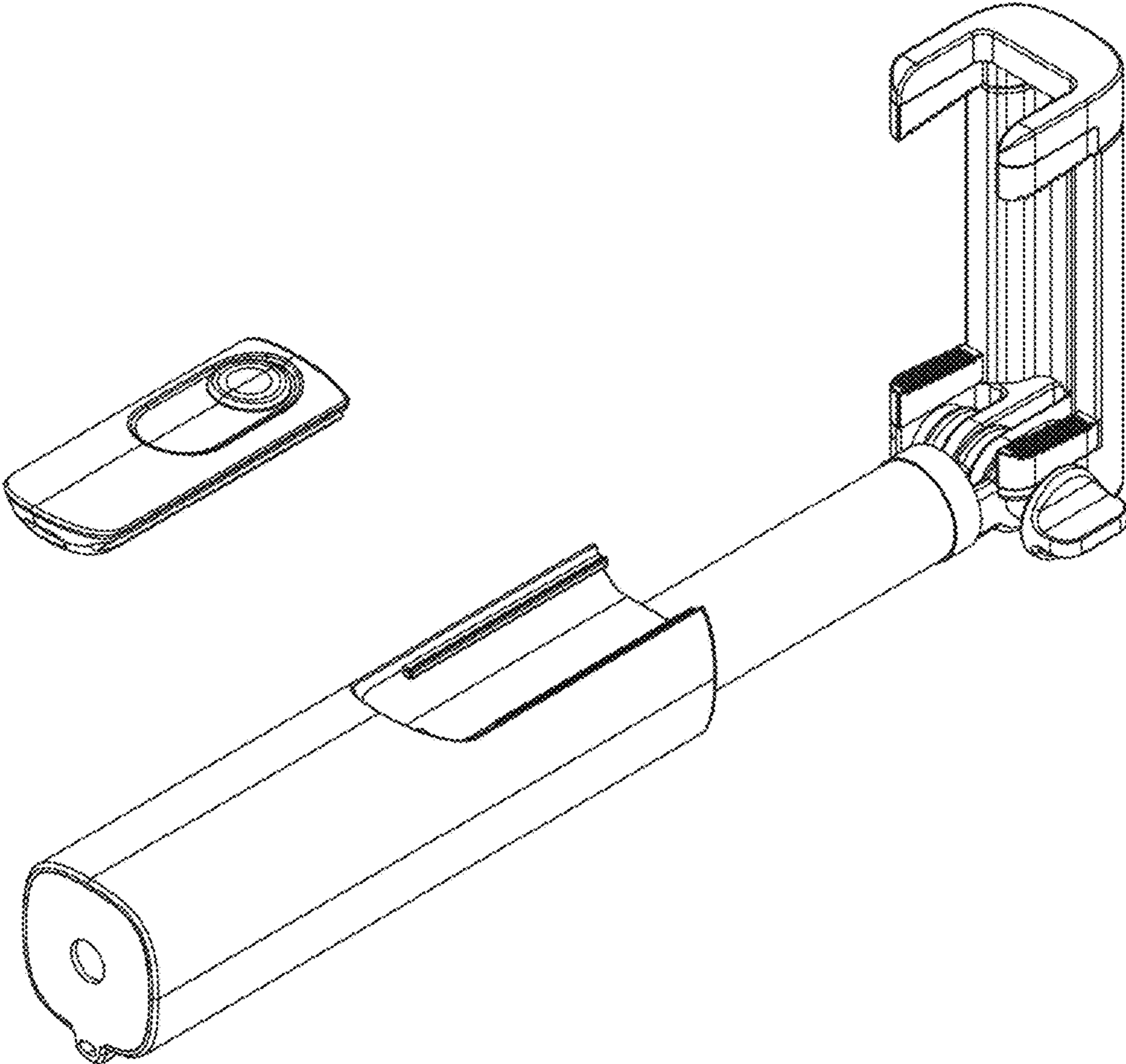


FIGURE 16

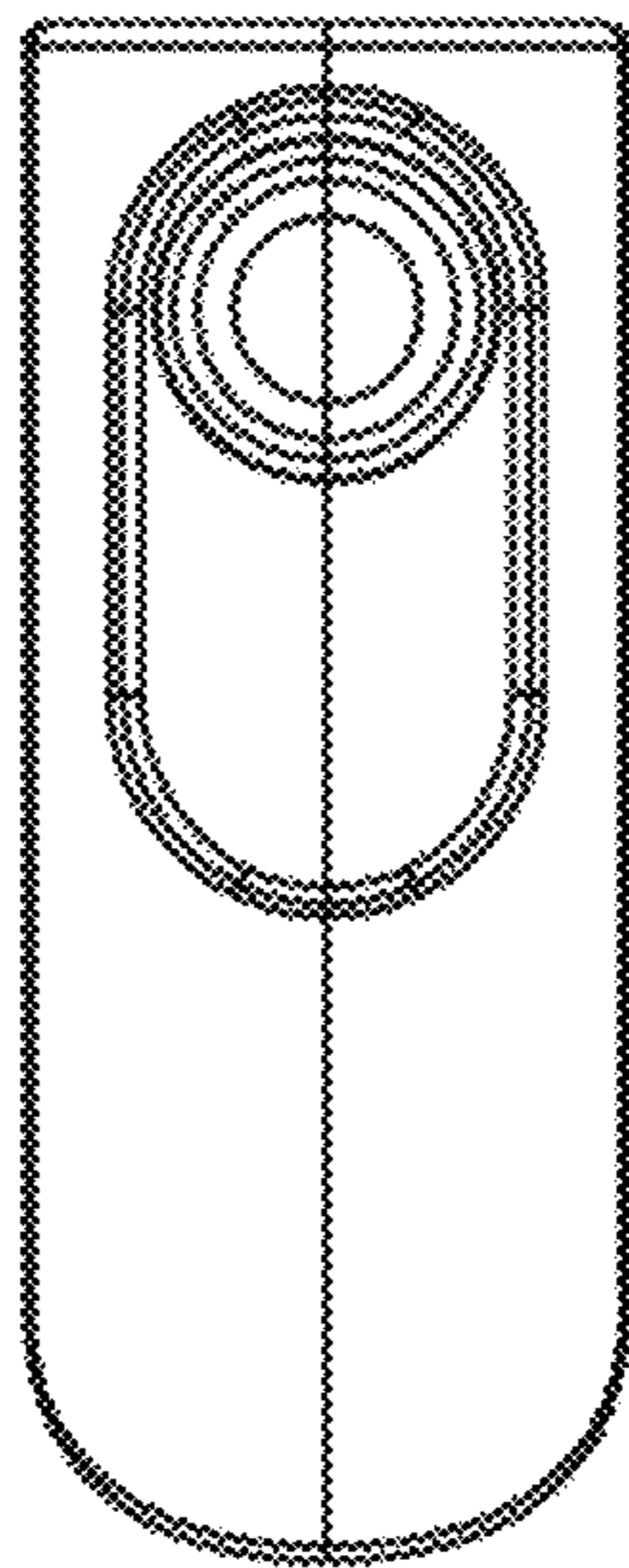


FIGURE 17

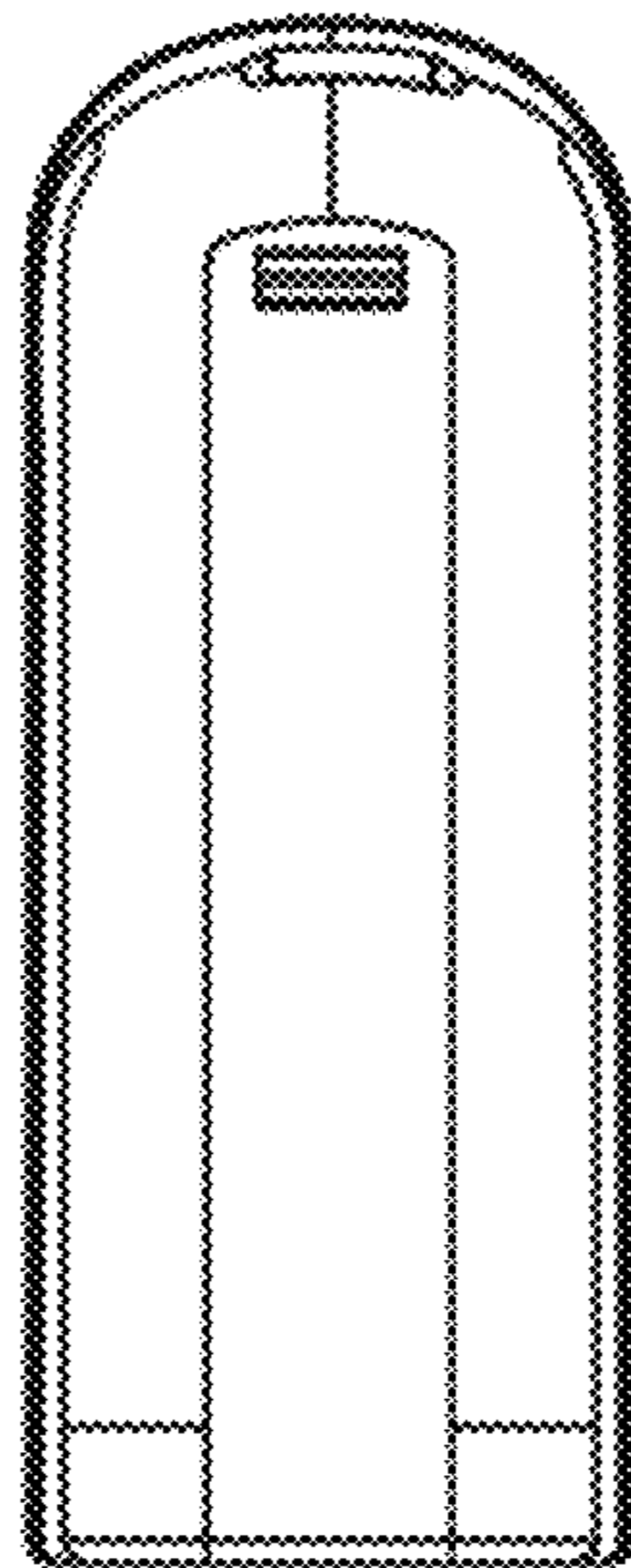


FIGURE 18

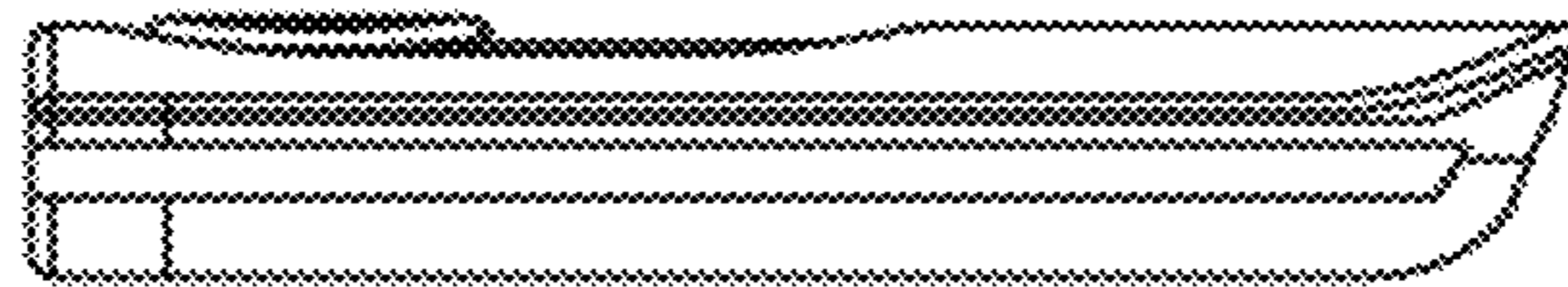


FIGURE 19



FIGURE 20

