



US00D799464S

(12) **United States Design Patent** (10) **Patent No.:** **US D799,464 S**  
**Zaihui** (45) **Date of Patent:** **\*\* Oct. 10, 2017**

(54) **COMBINED WATCH HOLDER AND SMARTPHONE STAND**

(71) Applicant: **Hu Zaihui**, Shenzhen (CN)

(72) Inventor: **Hu Zaihui**, Shenzhen (CN)

(73) Assignee: **MPOW TECHNOLOGY CO., LTD**,  
Kowloon (HK)

(\*\*) Term: **15 Years**

(21) Appl. No.: **29/557,264**

(22) Filed: **Mar. 8, 2016**

(51) **LOC (10) Cl.** ..... **14-03**

(52) **U.S. Cl.**  
USPC ..... **D14/252**

(58) **Field of Classification Search**  
USPC ..... D14/253, 251, 252, 447, 451, 452, 440,  
D14/434, 458, 432, 439, 457, 460, 238.1,  
D14/140, 142, 149, 217, 148, 140.8,  
D14/140.11, 209.1, 151, 140.9, 250, 238;  
D13/107, 108; D12/415, 223, 114, 420,  
D12/417, 407, 177; D3/218;  
D16/242-245, 250, 237, 203, 214, 219;  
D8/349; D6/675, 672, 673, 675.4, 553,  
D6/676, 310, 406.3, 406.4, 406.5, 406.6,  
D6/407, 567, 300, 682.3, 396; 248/459,  
248/460; 224/483  
CPC ..... B60R 2011/0008; B60R 11/02; B60R  
11/0241; B60R 11/0258; B60R 11/0252;  
B60R 2011/0294; F16M 11/00; F16M  
11/04; F16M 11/041; F16M 11/02; F16M  
11/06; F16M 13/00; H04M 1/02; H04M  
1/04; H04M 1/11; H04M 1/12; A47F  
7/022; B62J 11/00; H05K 7/00; G03B  
17/56

See application file for complete search history.

(56) **References Cited**

**U.S. PATENT DOCUMENTS**

8,056,871 B2 \* 11/2011 Matias ..... A47B 23/043  
248/176.1  
D683,141 S 5/2013 Symons

D689,478 S \* 9/2013 Wikel ..... D14/253  
D716,787 S \* 11/2014 Takabatake ..... D14/252  
D717,289 S \* 11/2014 Takabatake ..... D14/252  
D730,914 S \* 6/2015 Park ..... D14/447  
D737,606 S \* 9/2015 King ..... D6/682  
D751,564 S \* 3/2016 Hahn ..... D14/447  
D773,201 S \* 12/2016 Cardell ..... D6/406.1

**OTHER PUBLICATIONS**

<http://whypaymoreonline.com/v2/wp-content/uploads/2015/07/Benks-Original-Desktop-Charger-Station-Stand-Holder-Dock-for-Apple-Watch-for-iPhone-5-5S-6-228x228.jpg>.  
<http://g01.a.alicdn.com/kf/HTB1H304JFXXXXc1XpXXq6xXFXXxt/Apple-Watch-Stand-Multi-Function-Aluminium-Holder-Charging-Dock-Charger-Station-For-iPhone-Tablet-Pad-Watch.jpg>.  
<http://g03.a.alicdn.com/kf/HTB1diA7JpXXXXaiXpXXq6xXFXXxo/2015-New-Holder-Stand-For-Apple-Watch-PC-Metal-Charging-Dock-for-iPhone-6-5-5S.jpg>.  
<http://media02.hongkiat.com/best-apple-docks/orzly.jpg>.  
<https://9to5mac.files.wordpress.com/2015/03/bandstand-180.png?w=541&h=541>.

\* cited by examiner

*Primary Examiner* — Janice Hallmark

(74) *Attorney, Agent, or Firm* — Raj Abhyanker, P.C.

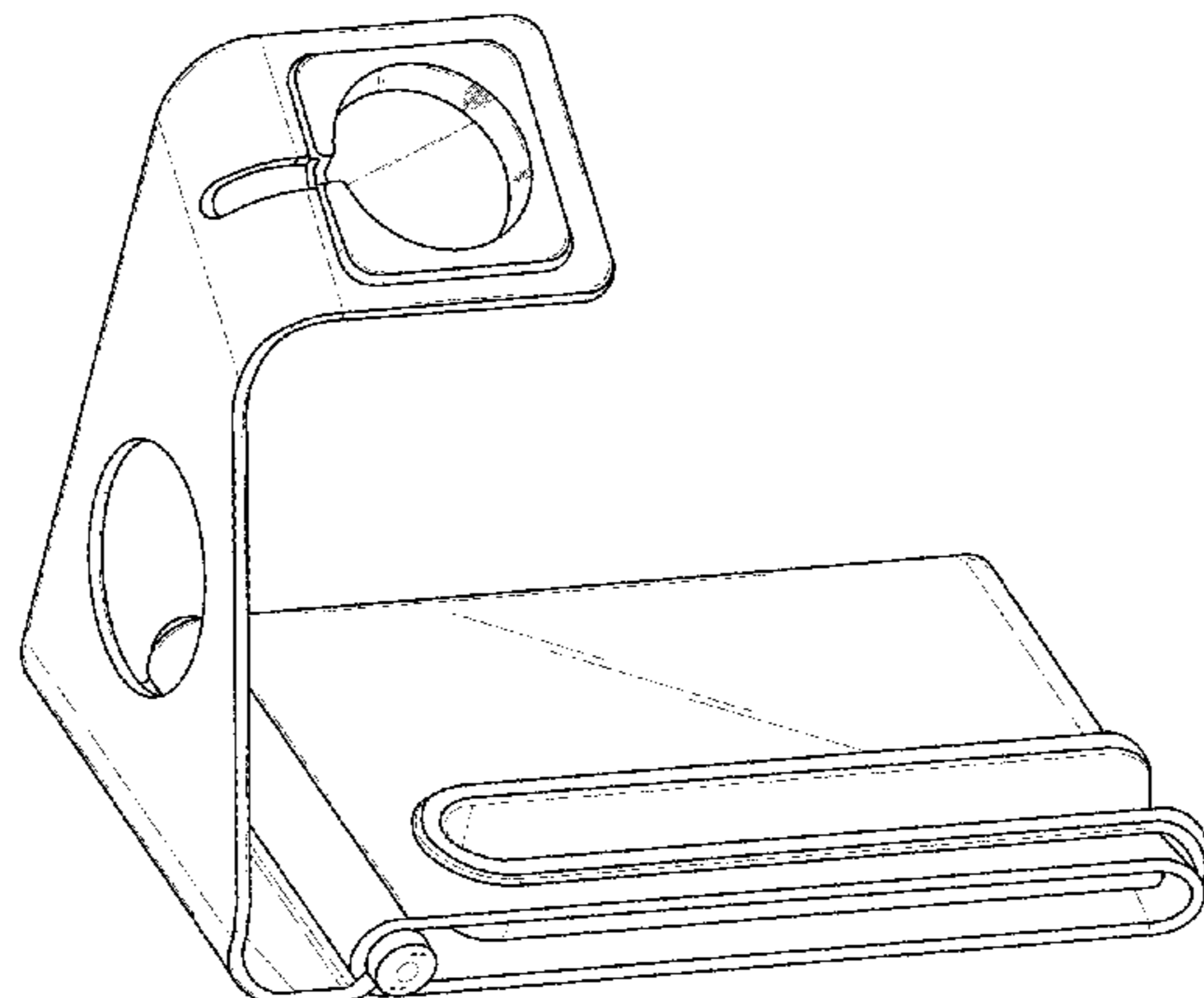
(57) **CLAIM**

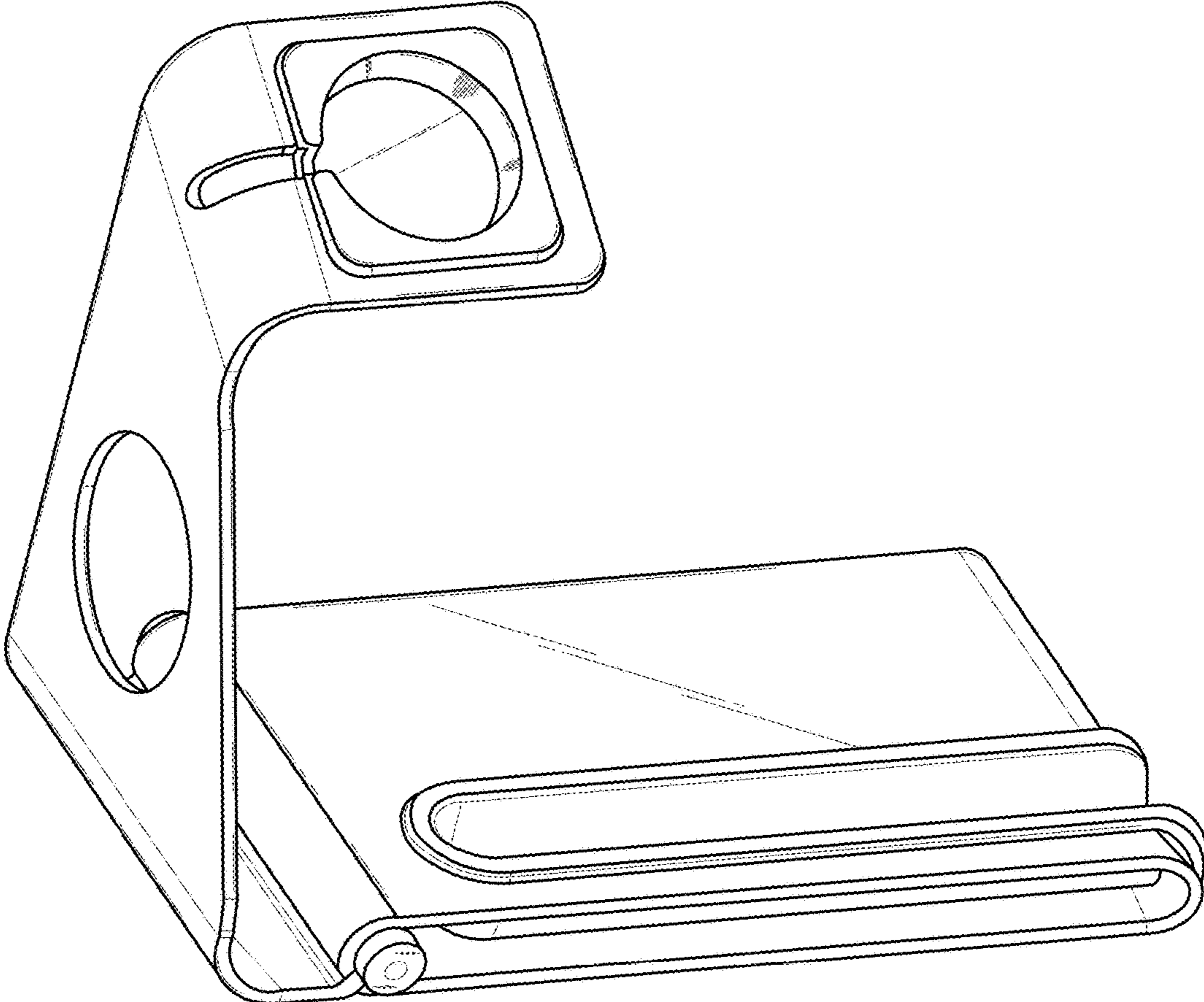
The ornamental design for a combined watch holder and smartphone stand, as shown and described.

**DESCRIPTION**

FIG. 1 is a left front perspective view for a combined watch holder and smartphone stand, showing my new design; FIG. 2 is a front elevational view thereof; FIG. 3 is a rear elevational view thereof; FIG. 4 is a left side elevational view thereof; FIG. 5 is a right side elevational view thereof; FIG. 6 is a top plan view thereof; and, FIG. 7 is a bottom plan view thereof.

**1 Claim, 7 Drawing Sheets**





**FIG. 1**

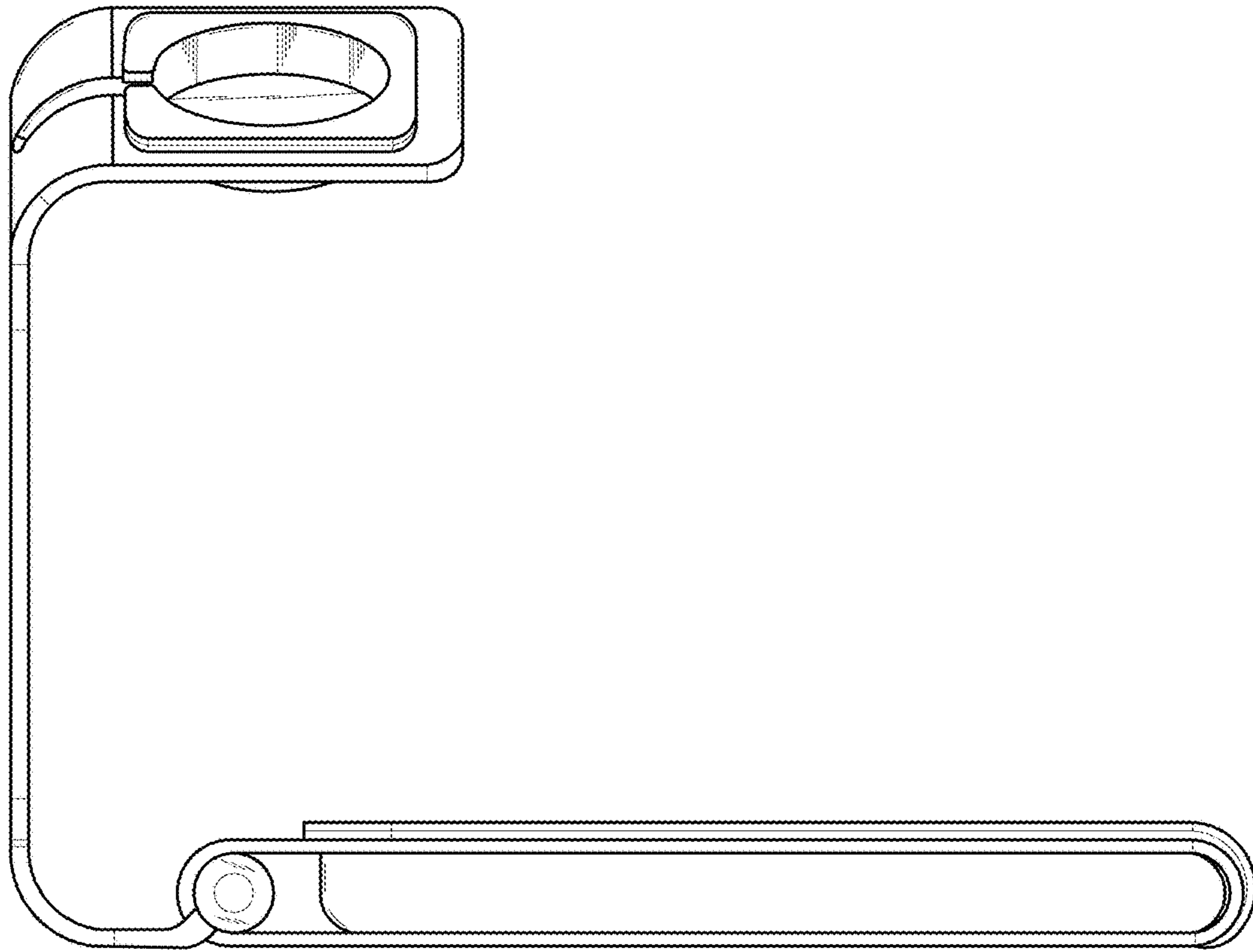


FIG. 2

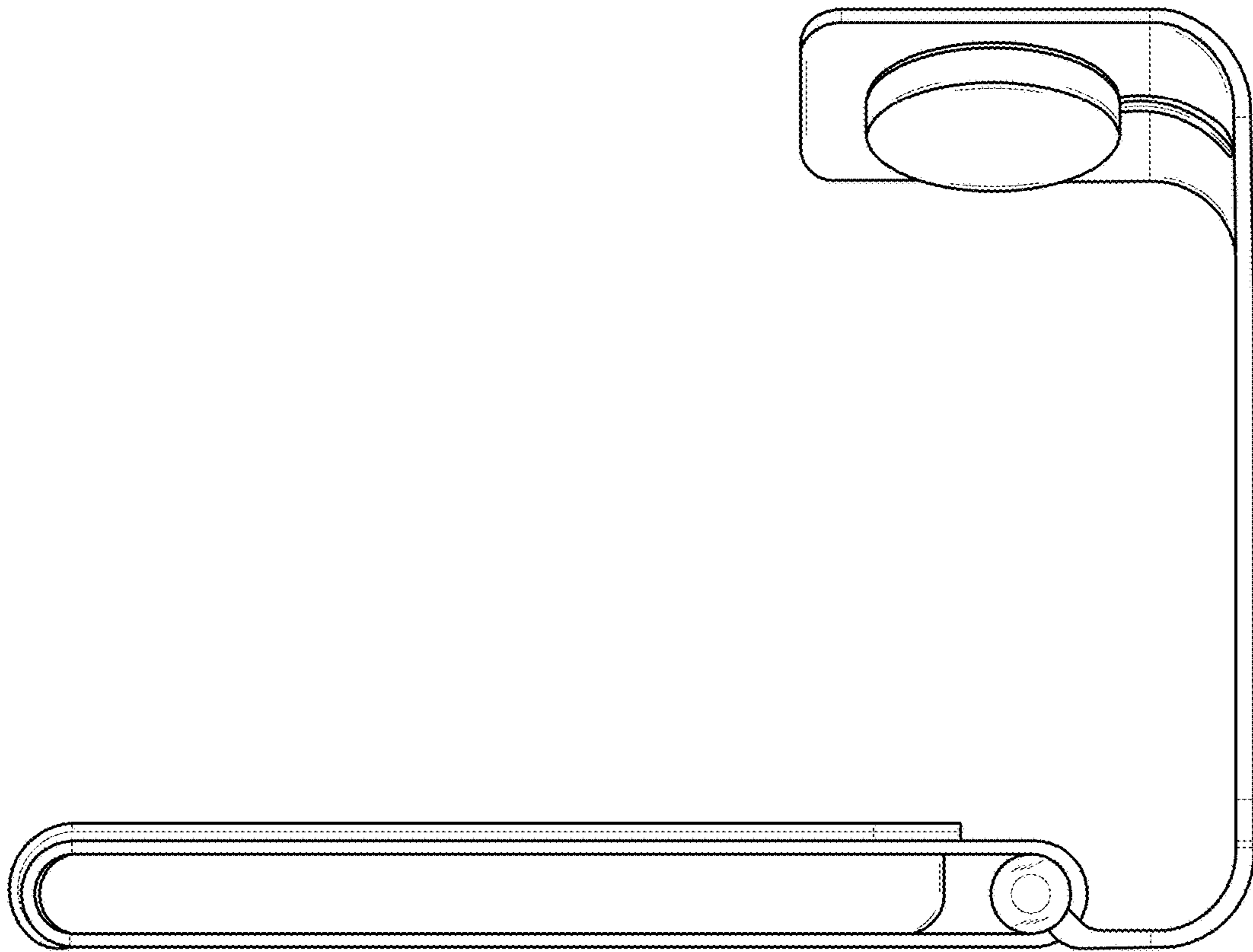
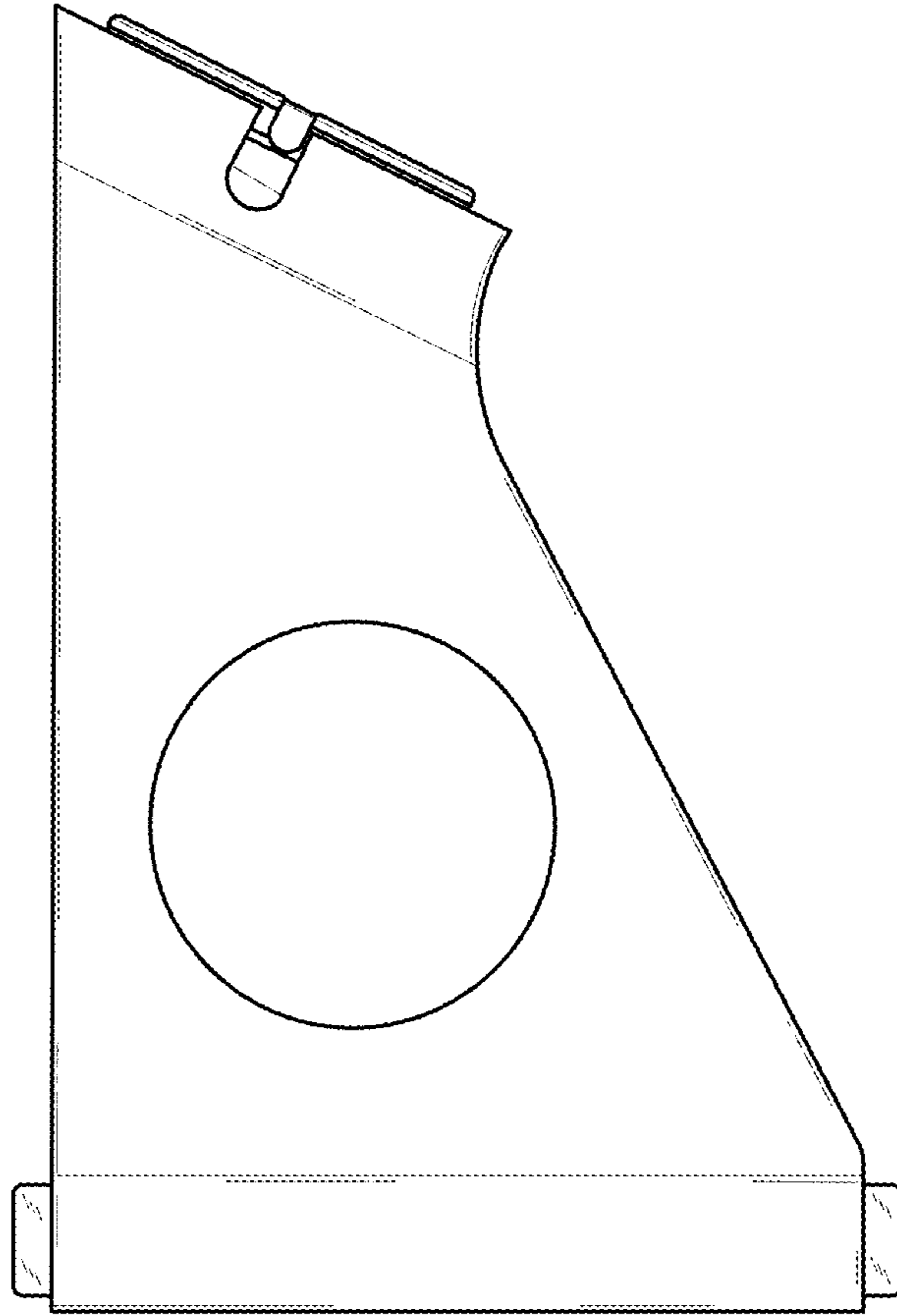
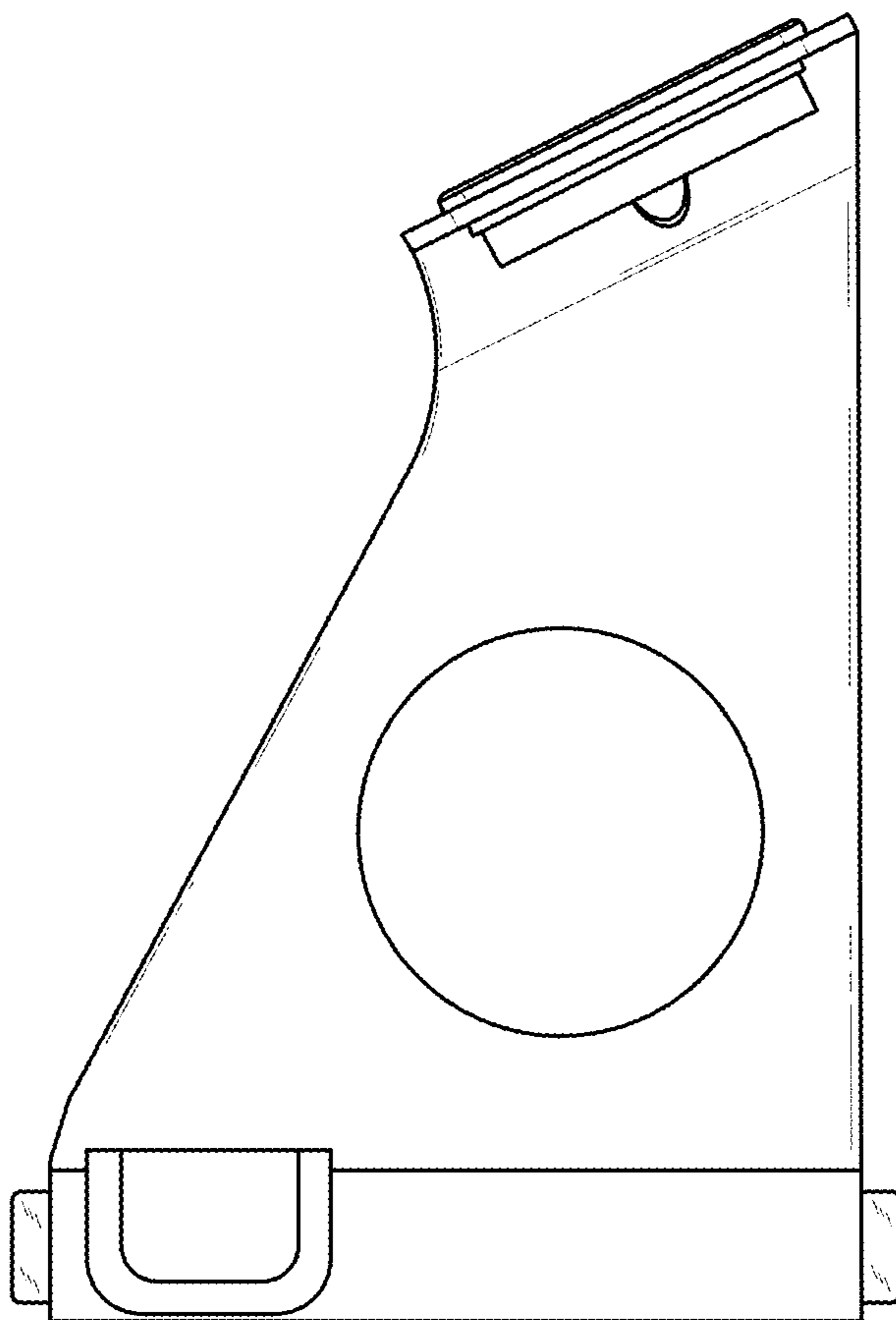


FIG. 3



**FIG. 4**



**FIG. 5**

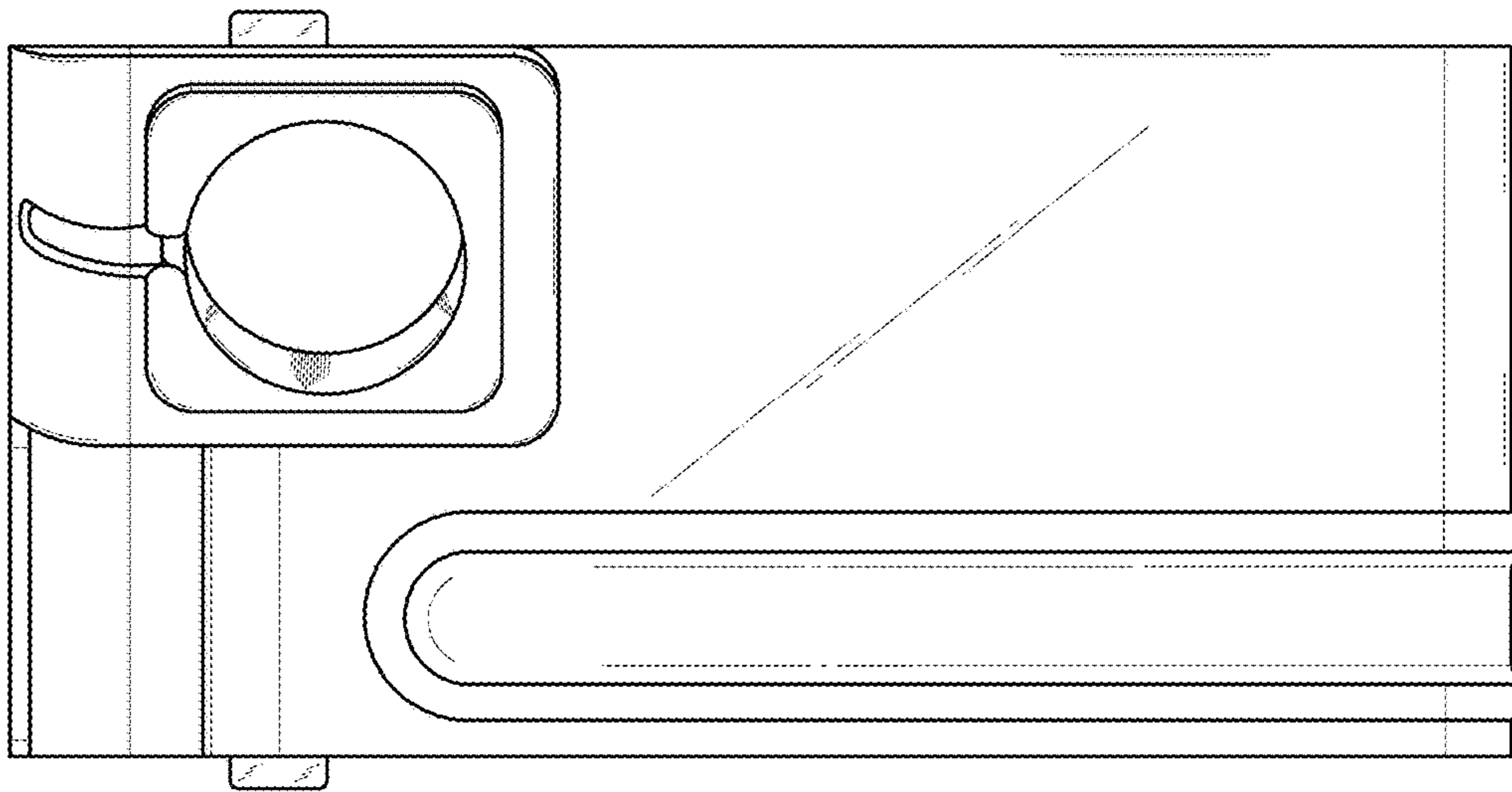


FIG. 6

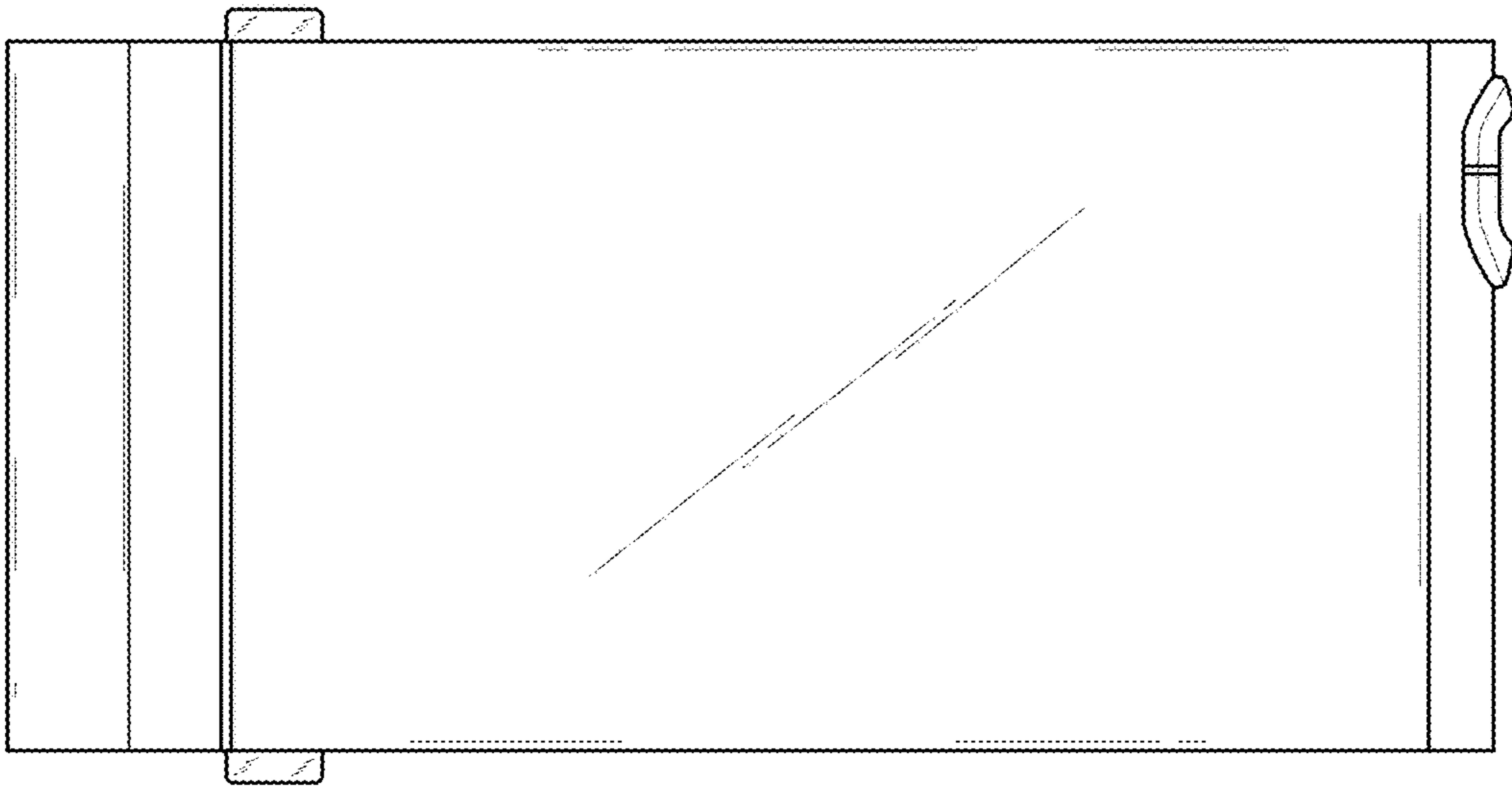


FIG. 7