



US00D799463S

(12) **United States Design Patent** (10) **Patent No.:** **US D799,463 S**
Deng (45) **Date of Patent:** **** Oct. 10, 2017**

(54) **STAND FOR ELECTRONIC DEVICE AND SMART WATCH**

(71) Applicant: **Hongchu Deng**, Guangzhou (CN)

(72) Inventor: **Hongchu Deng**, Guangzhou (CN)

(**) Term: **15 Years**

(21) Appl. No.: **29/552,400**

(22) Filed: **Jan. 21, 2016**

(51) **LOC (10) Cl.** **14-03**

(52) **U.S. Cl.**
 USPC **D14/252; D14/253; D14/447**

(58) **Field of Classification Search**

USPC D14/251–253, 447, 451, 452, 440, 434, D14/458, 432, 439, 457, 460, 238.1, 140, D14/142, 149, 217, 148, 140.8, 140.11, D14/209.1, 151, 140.9, 250, 238; D13/107, 108; D12/415, 223, 114, 420, D12/417, 407, 177; D3/218; D16/242–245, 250, 237, 203, 214, 219; D8/349; D6/675, 672, 673, 675.4, 553, D6/676, 310, 406.3, 406.4, 406.5, 406.6, D6/407, 567, 300, 682.3; 248/459, 460; 224/483
 CPC B60R 2011/0008; B60R 11/02; B60R 11/0241; B60R 11/0258; B60R 11/0252; B60R 2011/0294; F16M 11/00; F16M 11/04; F16M 11/041; F16M 11/02; F16M 11/06; F16M 13/00; H04M 1/02; H04M 1/04; H04M 1/11; H04M 1/12; A47F 7/022; B62J 11/00; H05K 7/00; G03B 17/56

See application file for complete search history.

(56) **References Cited**

U.S. PATENT DOCUMENTS

8,056,871	B2 *	11/2011	Matias	A47B 23/043 248/176.1
D666,145	S *	8/2012	Kim	D13/108
D684,963	S *	6/2013	Goodrich	D14/253
D688,235	S *	8/2013	Song	D14/253
D689,478	S *	9/2013	Wikel	D14/253
D692,010	S *	10/2013	Verghese	D14/447
D717,289	S *	11/2014	Takabatake	D14/252
D717,306	S *	11/2014	Clouser	D14/447
D730,914	S *	6/2015	Park	D14/447
D733,113	S *	6/2015	Krantz	D14/251
D751,564	S *	3/2016	Hahn	D14/447
D762,650	S *	8/2016	Dang	D14/434
2007/0135174	A1 *	6/2007	Musk	H02J 7/0044 455/569.1

* cited by examiner

Primary Examiner — Janice Hallmark
 (74) *Attorney, Agent, or Firm* — Novoclaims Patent Services LLC; Mei Lin Wong

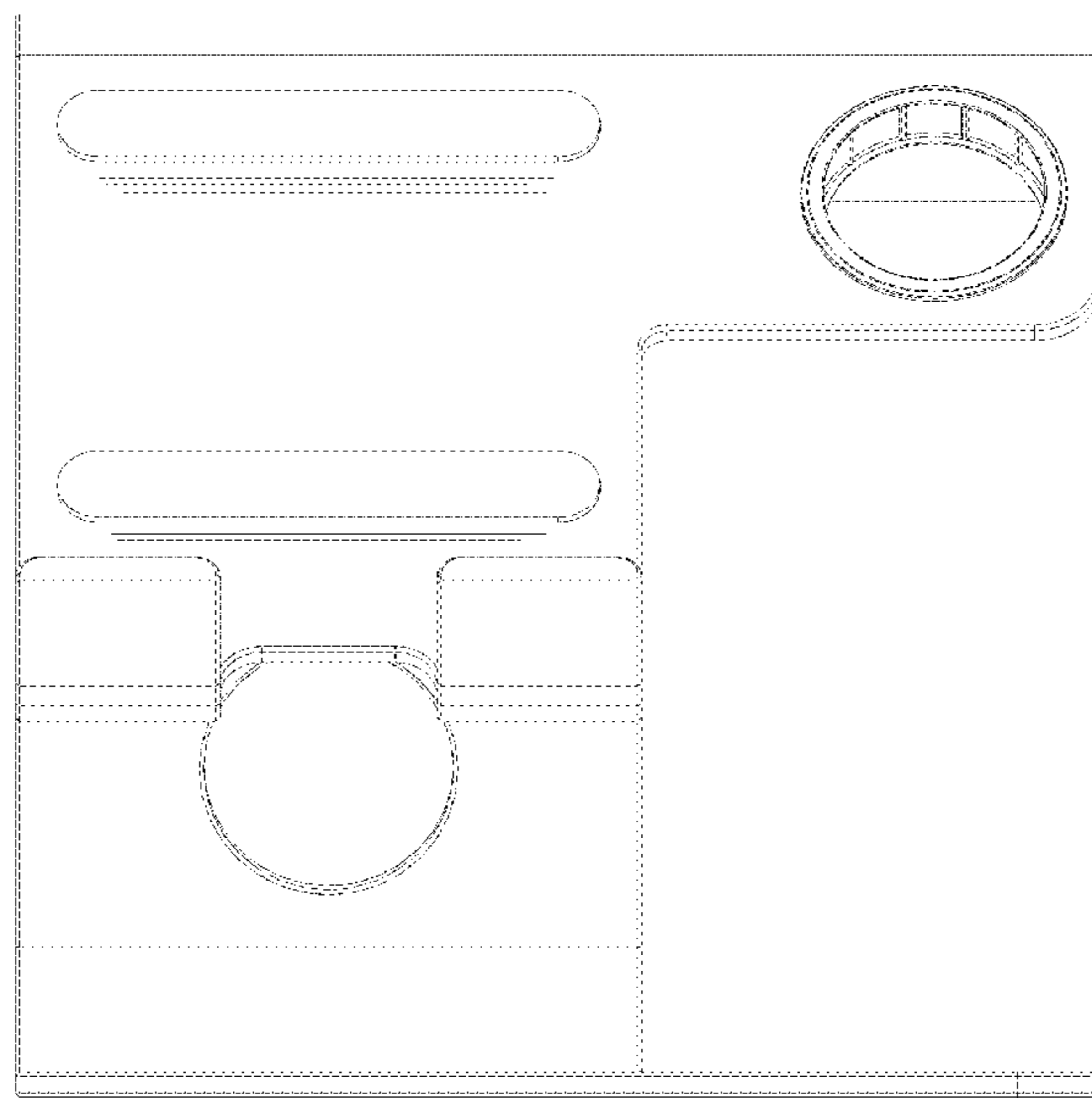
(57) **CLAIM**

The ornamental design of a stand for electronic device and smart watch, substantially as shown and described.

DESCRIPTION

FIG. 1 is a front view of a stand for electronic device and smart watch in accordance with the present invention.
 FIG. 2 is a rear view thereof.
 FIG. 3 is a left end view thereof.
 FIG. 4 is a right end view thereof.
 FIG. 5 is a top view thereof.
 FIG. 6 is a bottom view thereof.
 FIG. 7 is a front perspective view thereof; and,
 FIG. 8 is another perspective view thereof.

1 Claim, 8 Drawing Sheets



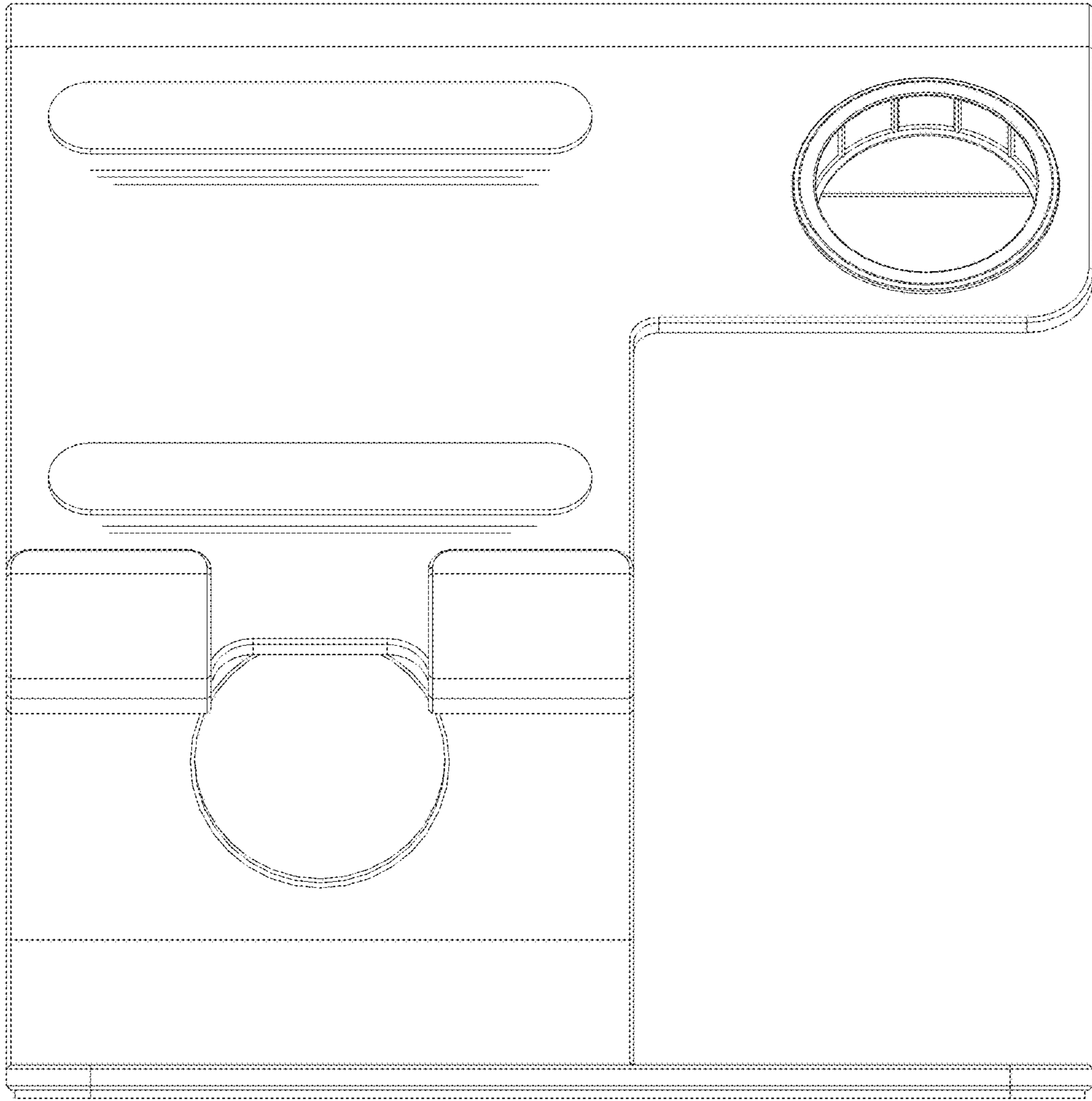


FIG.1

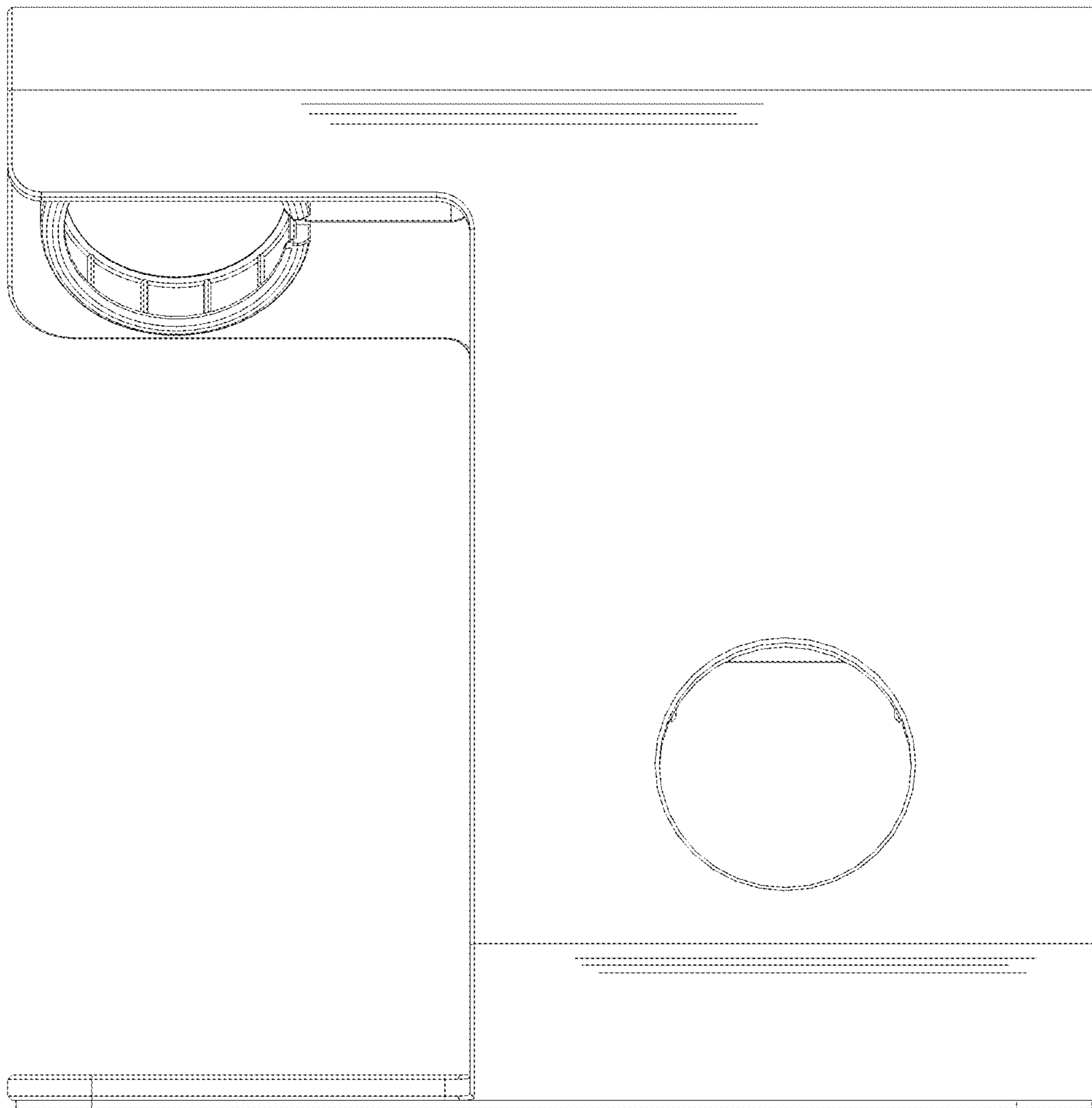


FIG.2

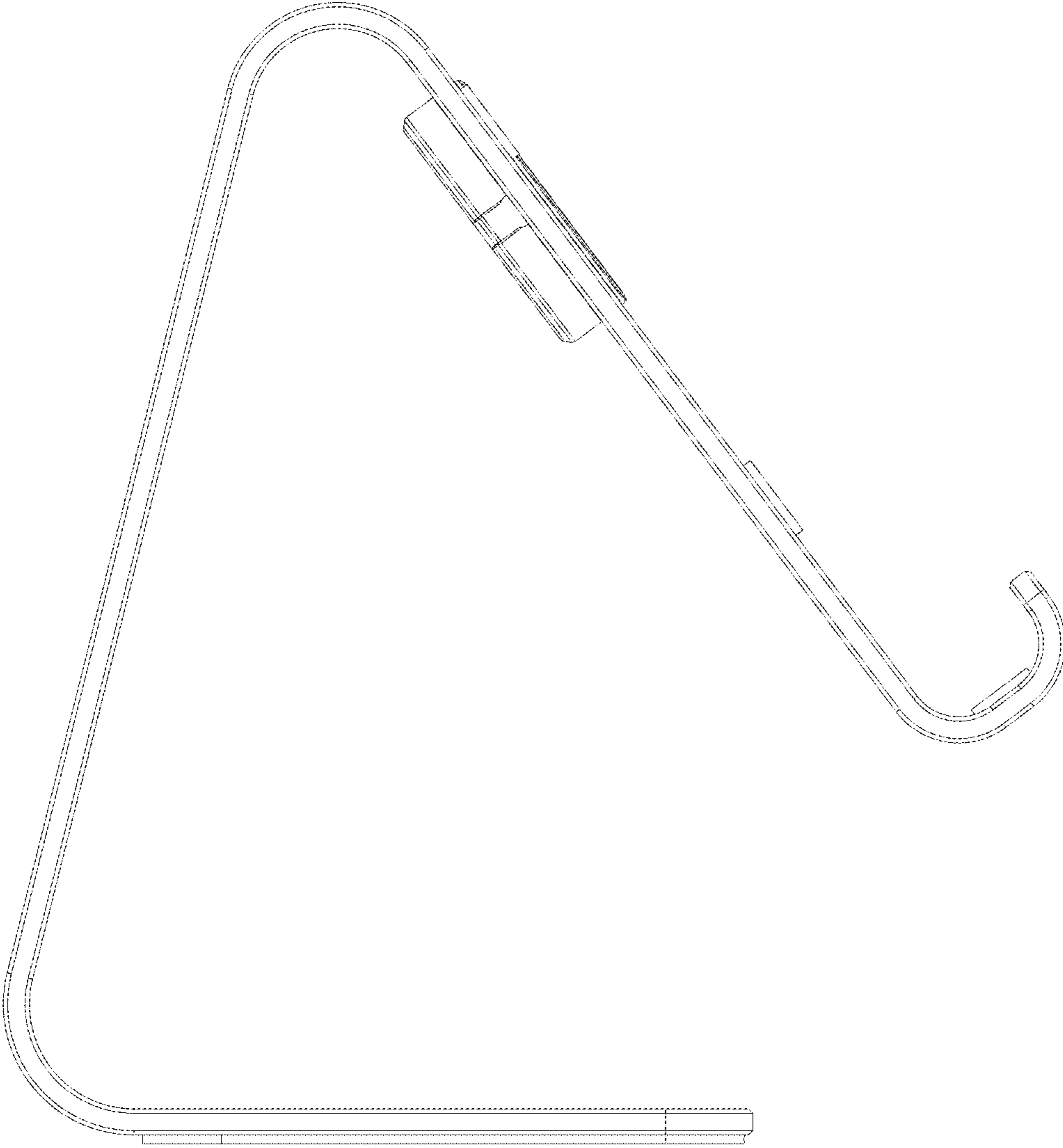


FIG.3

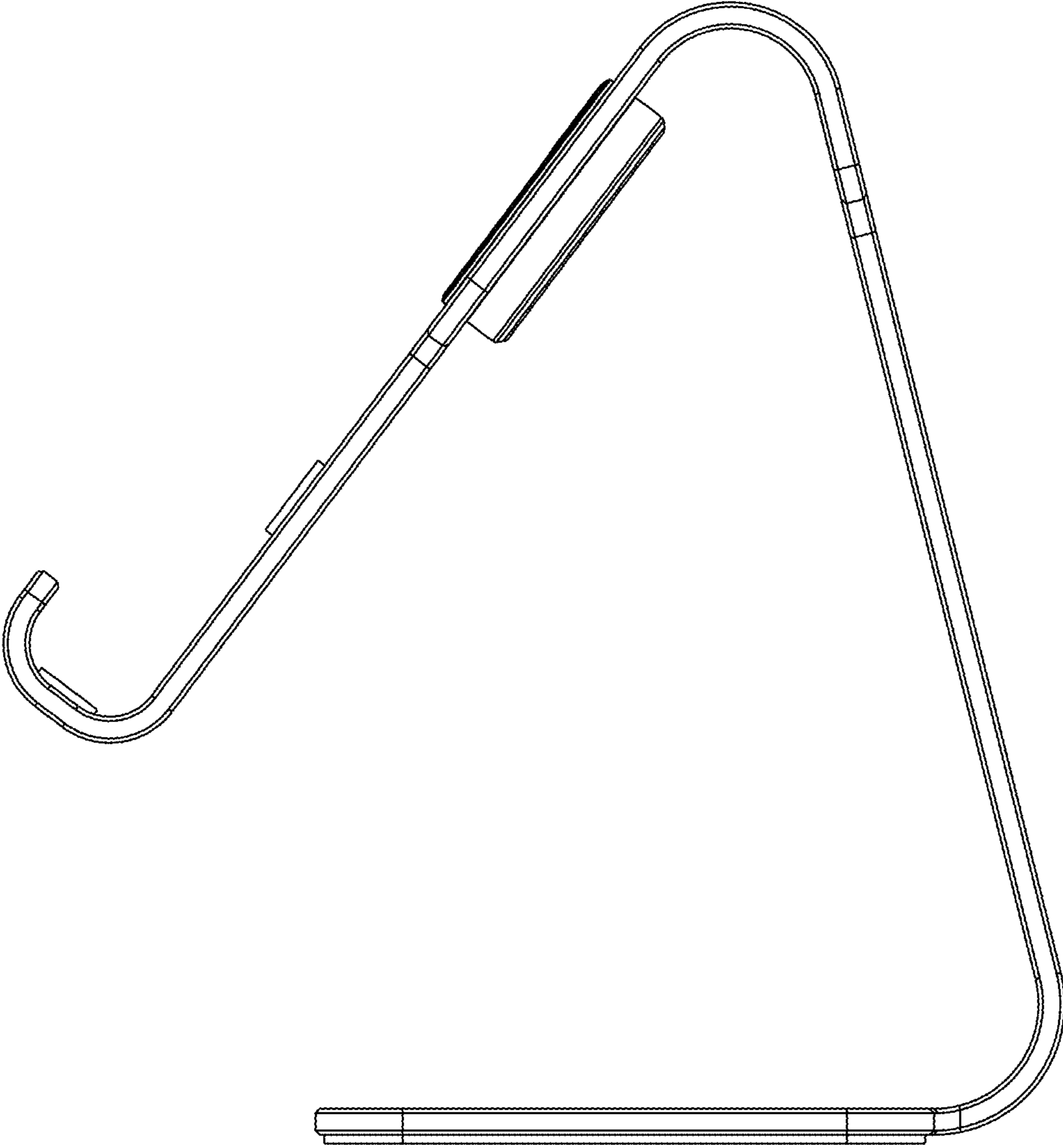


FIG.4

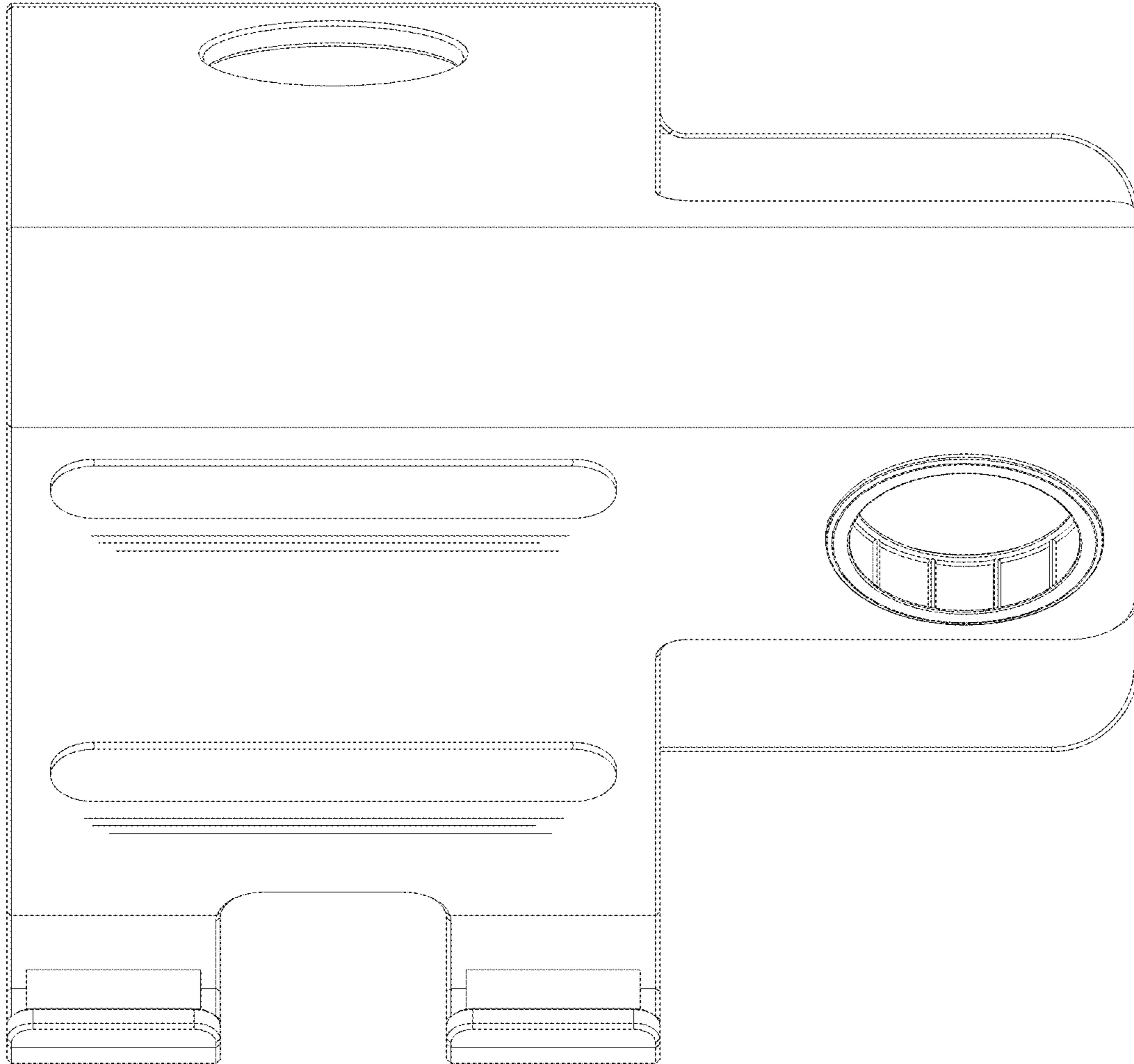


FIG.5

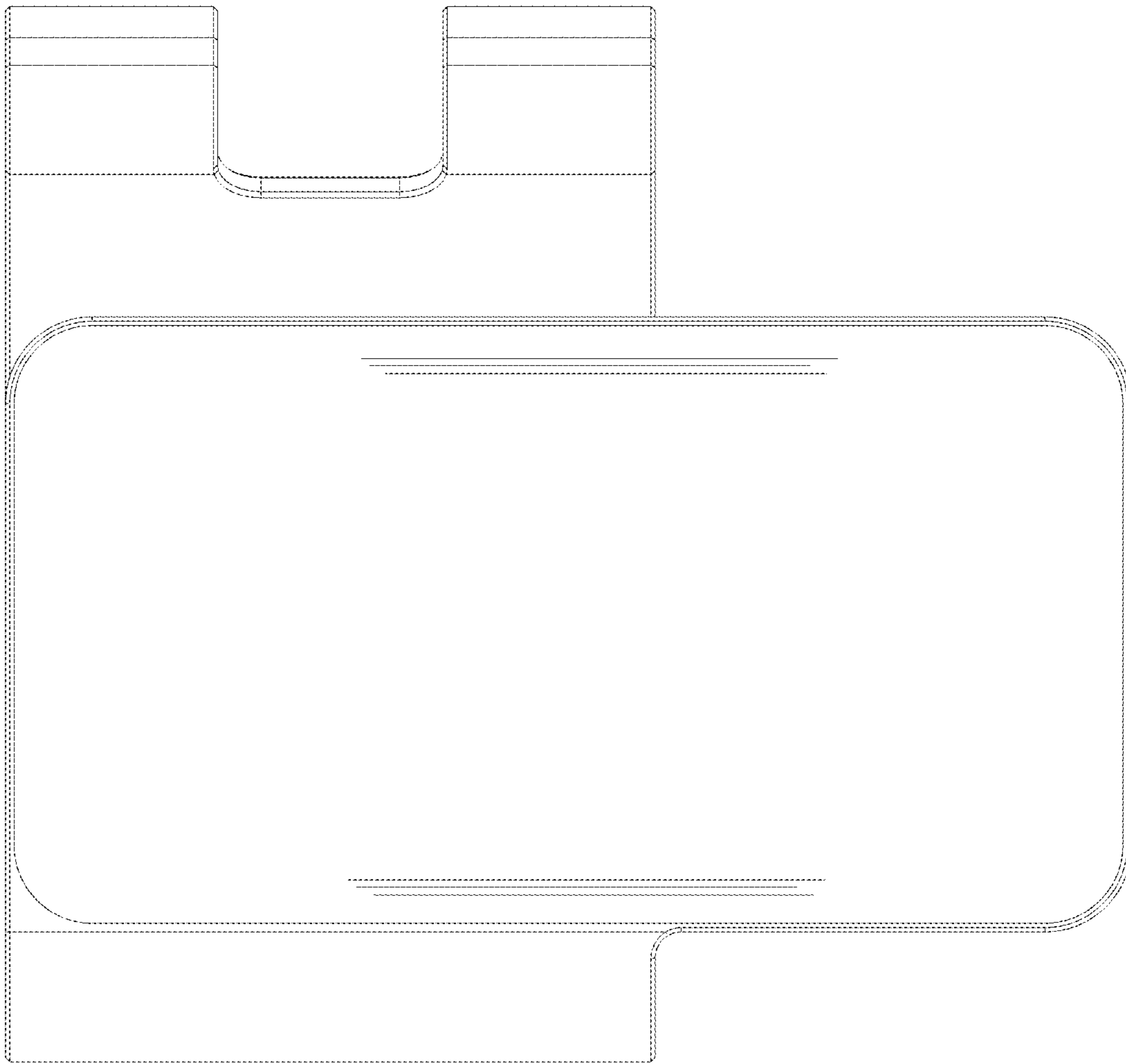


FIG.6

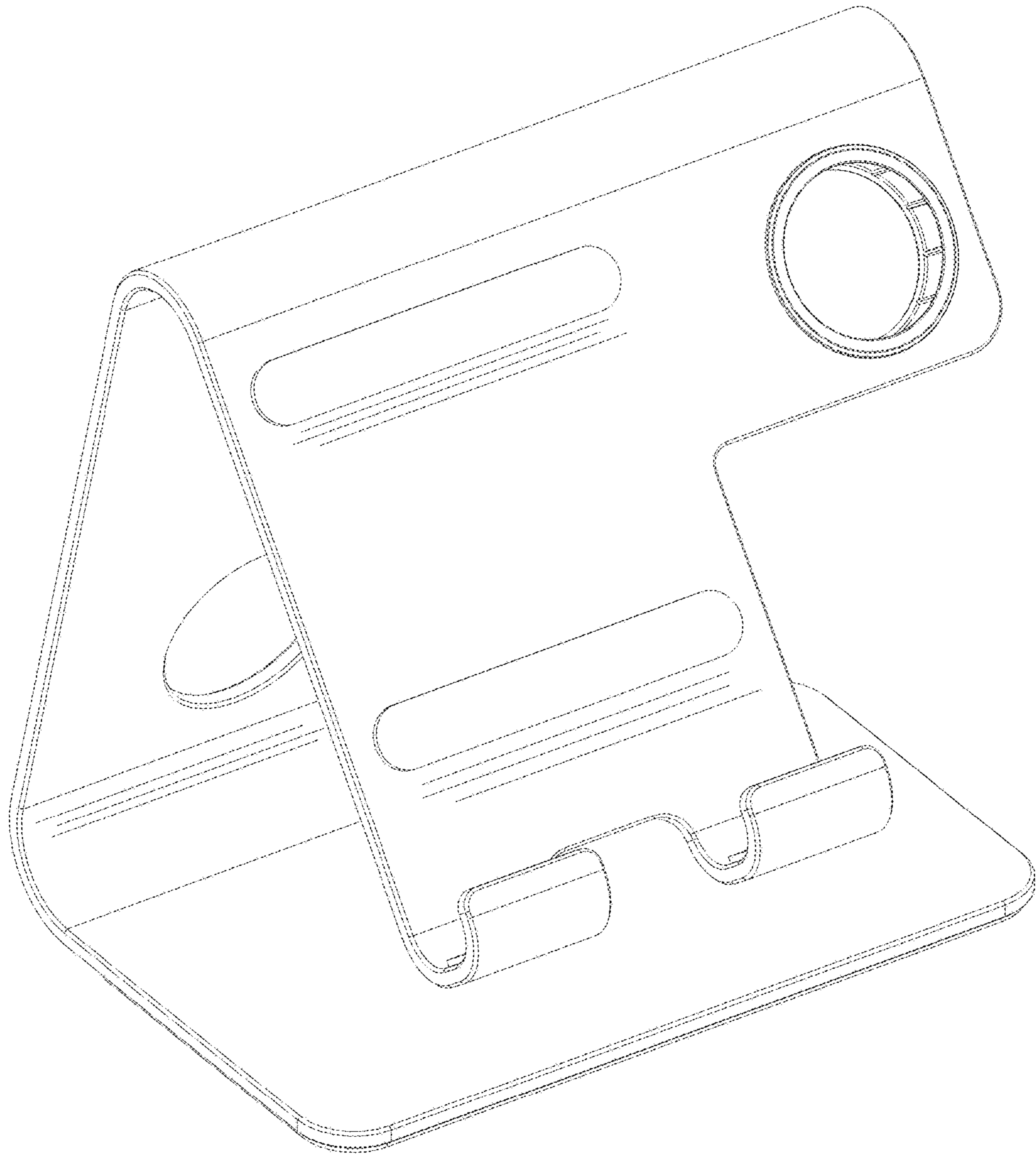


FIG.7

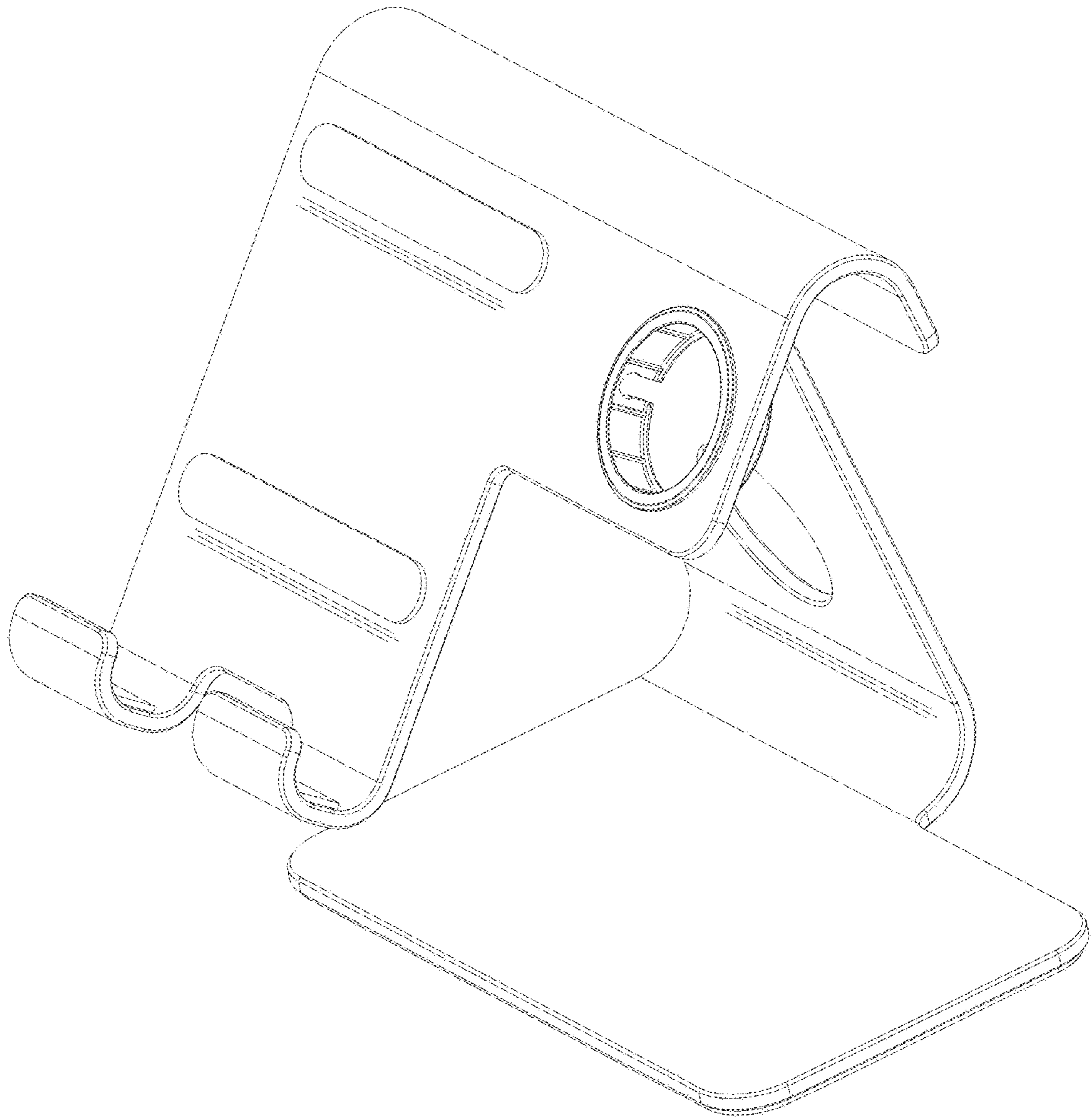


FIG.8