

US00D799461S

(12) **United States Design Patent** (10) **Patent No.:** **US D799,461 S**  
**Huang** (45) **Date of Patent:** **\*\* Oct. 10, 2017**

(54) **WATERPROOF POUCH FOR AN ELECTRONIC DEVICE**

(71) Applicant: **World Richman Manufacturing Corporation**, Elgin, IL (US)

(72) Inventor: **Edison Huang**, Foshan (CN)

(73) Assignee: **WORLD RICHMAN MANUFACTURING CORPORATION**, Elgin, IL (US)

(\*\*) Term: **15 Years**

(21) Appl. No.: **29/564,735**

(22) Filed: **May 16, 2016**

(51) **LOC (10) Cl.** ..... **14-03**

(52) **U.S. Cl.**  
USPC ..... **D14/250**

(58) **Field of Classification Search**  
USPC ..... **D14/250; 455/575.8**

(Continued)

(56) **References Cited**

**U.S. PATENT DOCUMENTS**

2,363,926 A \* 11/1944 Arens ..... B65D 77/12  
383/13  
5,421,032 A \* 6/1995 Murphy ..... A41D 27/208  
2/228

(Continued)

**OTHER PUBLICATIONS**

DefenderX Universal Waterproof Bag, posted on amazon.com, posting date Oct. 1, 2015, [online], [site visited Mar. 2, 2017]. Available from Internet, <URL: <https://www.amazon.com/UniversalWaterproofHEADPHONEJACKARMBAND/dp/B015BCHAFY/>>.\*

(Continued)

*Primary Examiner* — George D Kirschbaum

*Assistant Examiner* — Maria Edwards

(74) *Attorney, Agent, or Firm* — Christopher J. Scott

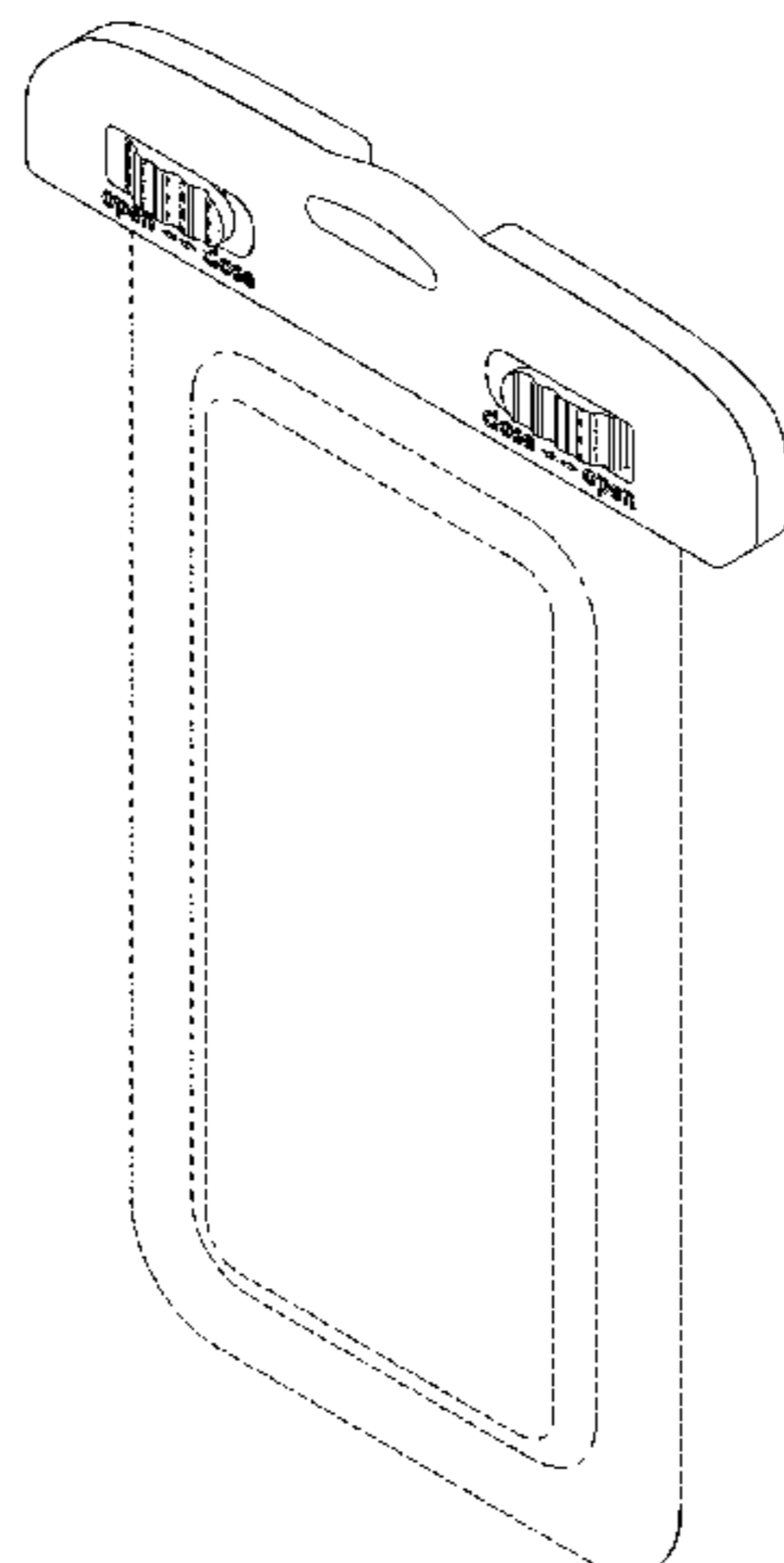
(57) **CLAIM**

The ornamental design for the waterproof pouch for an electronic device, as shown and described.

**DESCRIPTION**

FIG. 1 is a front view of a waterproof pouch for an electronic device showing my new design in a closed configuration. FIG. 2 is a rear view of the waterproof pouch for an electronic device in the closed configuration. FIG. 3 is a left side view of the waterproof pouch for an electronic device in the closed configuration. FIG. 4 is a right side view of the waterproof pouch for an electronic device in the closed configuration. FIG. 5 is a top edge view of the waterproof pouch for an electronic device in the closed configuration. FIG. 6 is a bottom edge view of the waterproof pouch for an electronic device in the closed configuration. FIG. 7 is a top front perspective view of the waterproof pouch for an electronic device in the closed configuration. FIG. 8 is a top rear perspective view of the waterproof pouch for an electronic device in the closed configuration. FIG. 9 is a front view of the waterproof pouch for an electronic device in an open configuration. FIG. 10 is a rear view of the waterproof pouch for an electronic device in the open configuration. FIG. 11 is a left side view of the waterproof pouch for an electronic device in the open configuration. FIG. 12 is a right side view of the waterproof pouch for an electronic device in the open configuration. FIG. 13 is a top edge view of the waterproof pouch for an electronic device in the open configuration. FIG. 14 is a bottom edge view of the waterproof pouch for an electronic device in the open configuration. FIG. 15 is a top front perspective view of the waterproof pouch for an electronic device in the open configuration; and, FIG. 16 is a top rear perspective view of the waterproof pouch for an electronic device in the open configuration. The broken lines included in the illustrations of the waterproof pouch for an electronic device show environmental subject matter and form no part of the claimed design.

**1 Claim, 8 Drawing Sheets**



(58) **Field of Classification Search**  
 CPC ..... A45C 2011/002  
 See application file for complete search history.

(56) **References Cited**

U.S. PATENT DOCUMENTS

5,622,431	A *	4/1997	Simonsen	.....	B65D 33/1658
					24/585.12
D411,765	S *	7/1999	Holihan	.....	D3/201
D452,377	S *	12/2001	Cooke	.....	D3/318
6,427,836	B1 *	8/2002	Bolanos	.....	A45C 11/182
					150/148
D493,493	S *	7/2004	Howard	.....	D20/27
D550,550	S *	9/2007	Lee	.....	D8/395
D553,851	S *	10/2007	MacAuley	.....	D3/201
D637,905	S *	5/2011	Abrams	.....	D9/434
D653,855	S *	2/2012	Yoon	.....	D3/303
D704,934	S *	5/2014	Blinka	.....	D3/303
D776,759	S *	1/2017	Costas	.....	D19/86
2007/0014491	A1 *	1/2007	MacAuley	.....	H05K 5/061
					383/59

OTHER PUBLICATIONS

Haweel Waterproof Travel Bag Case, posted on thefonestuff.com, posting date not given, [online], [site visited Mar. 2, 2017]. Available from Internet, <URL: <https://www.thefonestuff.com/haweelwaterprooftravelbagcasepink.html>>.\*

Universal Waterproof Case—JOTO, posted on amazon.com, posting date Oct. 1, 2014, [online], [site visited Mar. 2, 2017]. Available from Internet, <URL: <https://www.amazon.com/UniversalWaterproofJOTOCeLLPhoneMotorola/dp/B00LBK7OSY/>>.\*

Vansky Universal Waterproof Case Dry Bag, posted on amazon.co.uk, posting date Mar. 23, 2015, [online], [site visited Mar. 2, 2017]. Available from Internet, <URL: <https://www.amazon.co.uk/DigitaltrendssVanskyWaterproofEcoFriendlyconstruction/dp/B00V3JZIRM/>>.\*

Waterproof Case—Mpow, posted at amazon.co.uk, posting date Sep. 24, 2015, [online], [site visited Mar. 2, 2017]. Available from Internet, <URL: <https://www.amazon.co.uk/dp/B015R21FJA/>>.\*

Waterproof Pouch, posted at ebay.com, posting date not given, [online], [site visited Mar. 2, 2017]. Available from Internet, <URL: <http://www.ebay.com/itm/NEWSANDWATERPROOFCASECOVERBAGDRYPOUCHFOROPPOF12016/401148572557>>.\*

Wiszen Waterproof Case, posted at amazon.com, posting date Jul. 9, 2015, [online], [site visited Mar. 2, 2017]. Available from Internet, <URL: <https://www.amazon.com/WISZENWaterproofUniversalSmartphoneunderwater/dp/B01L8VMBJW/>>.\*

\* cited by examiner

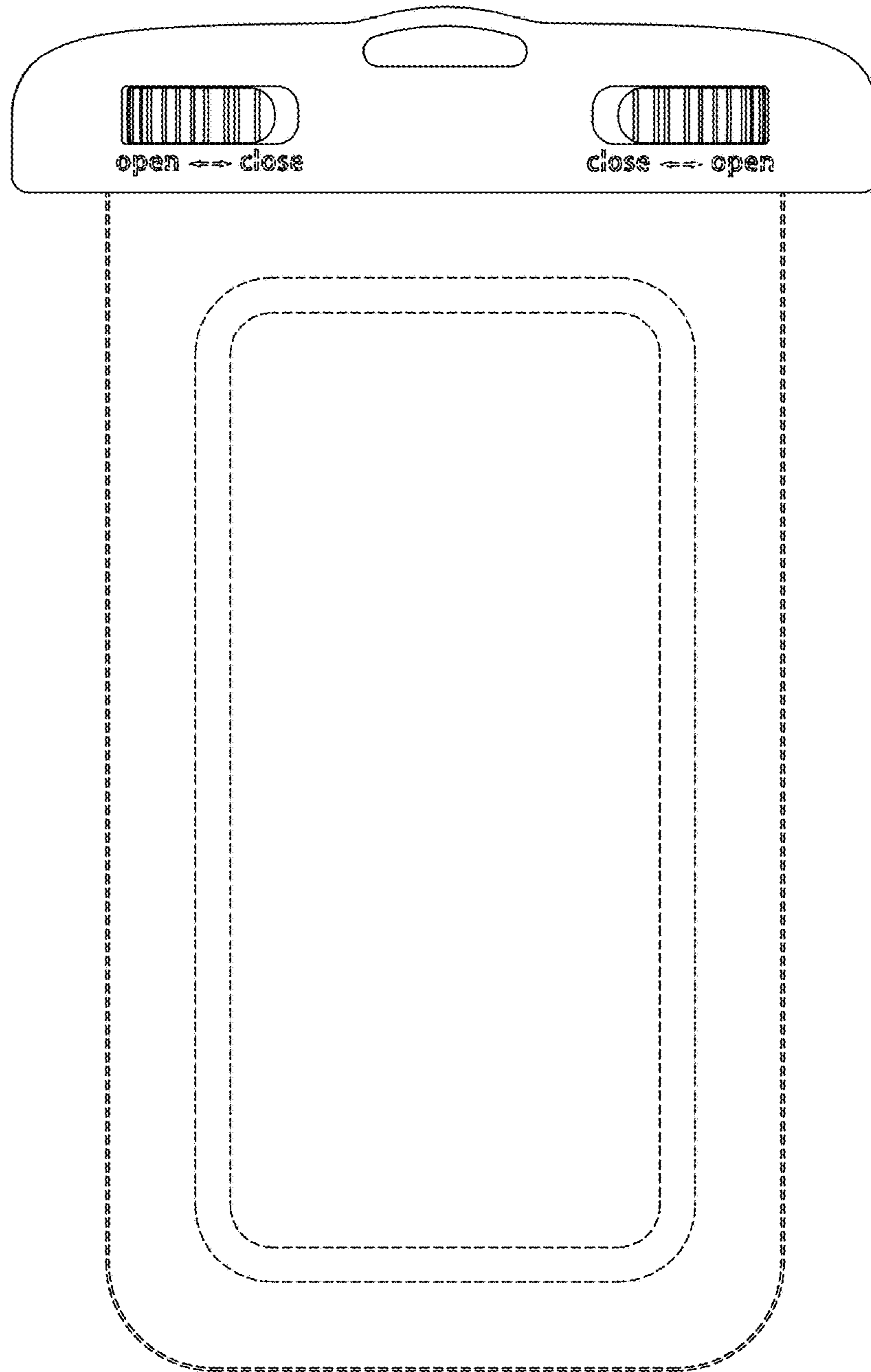


FIG.1

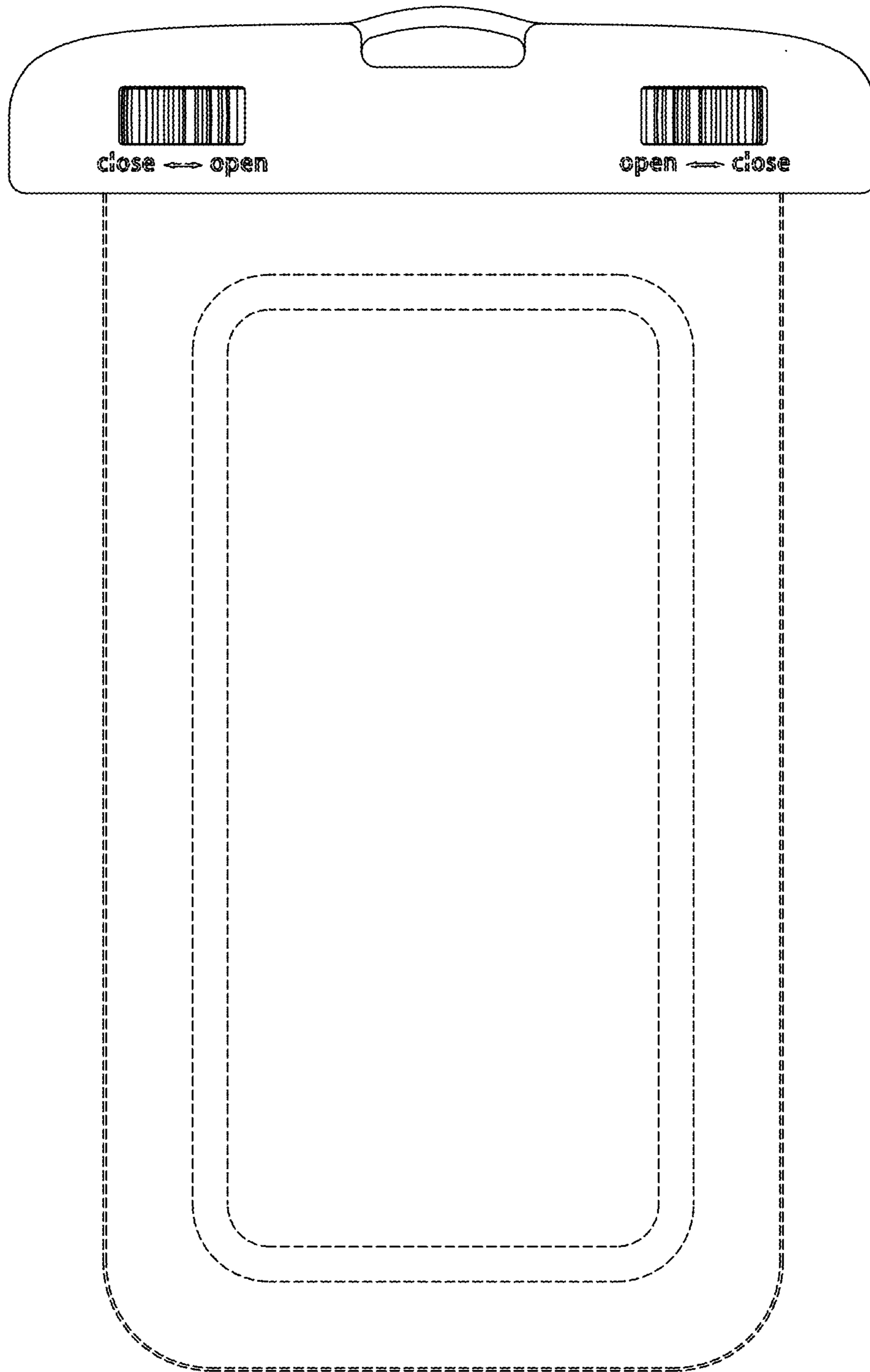


FIG.2

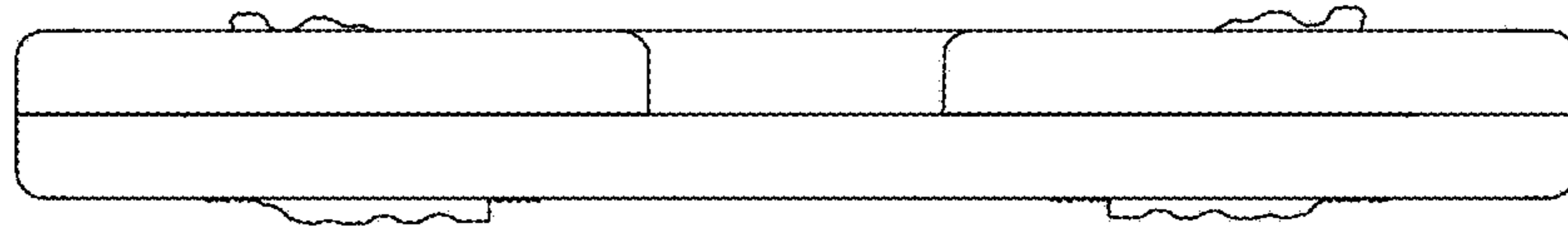


FIG. 5

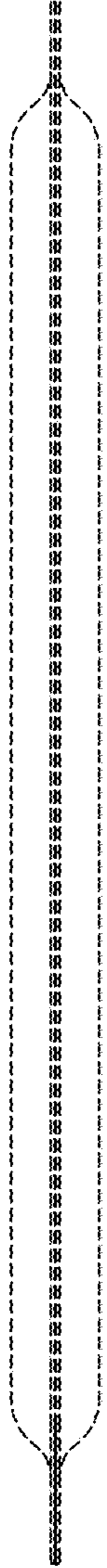
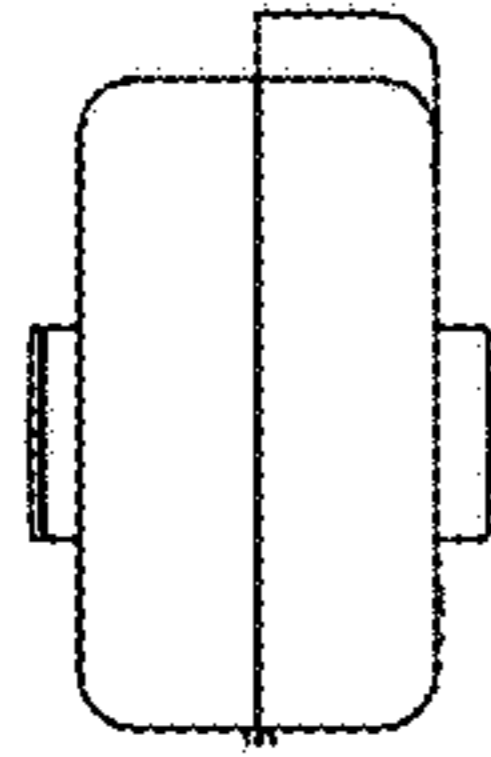


FIG. 3

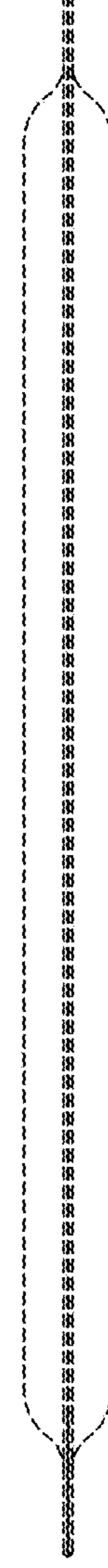
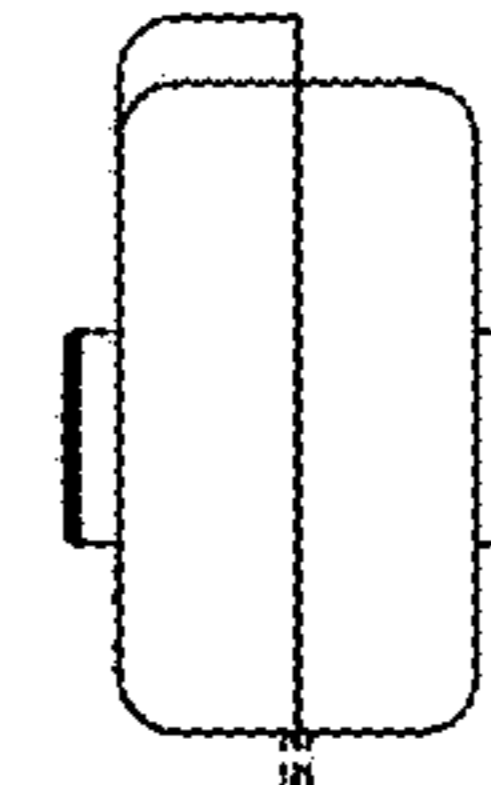


FIG. 4

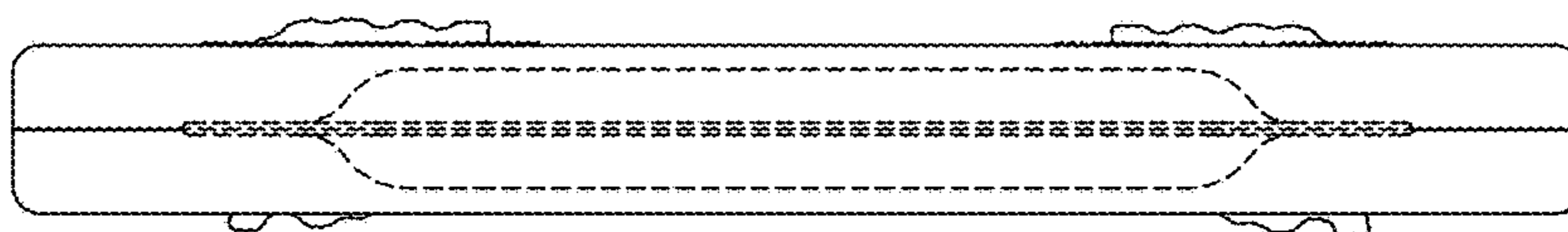


FIG. 6

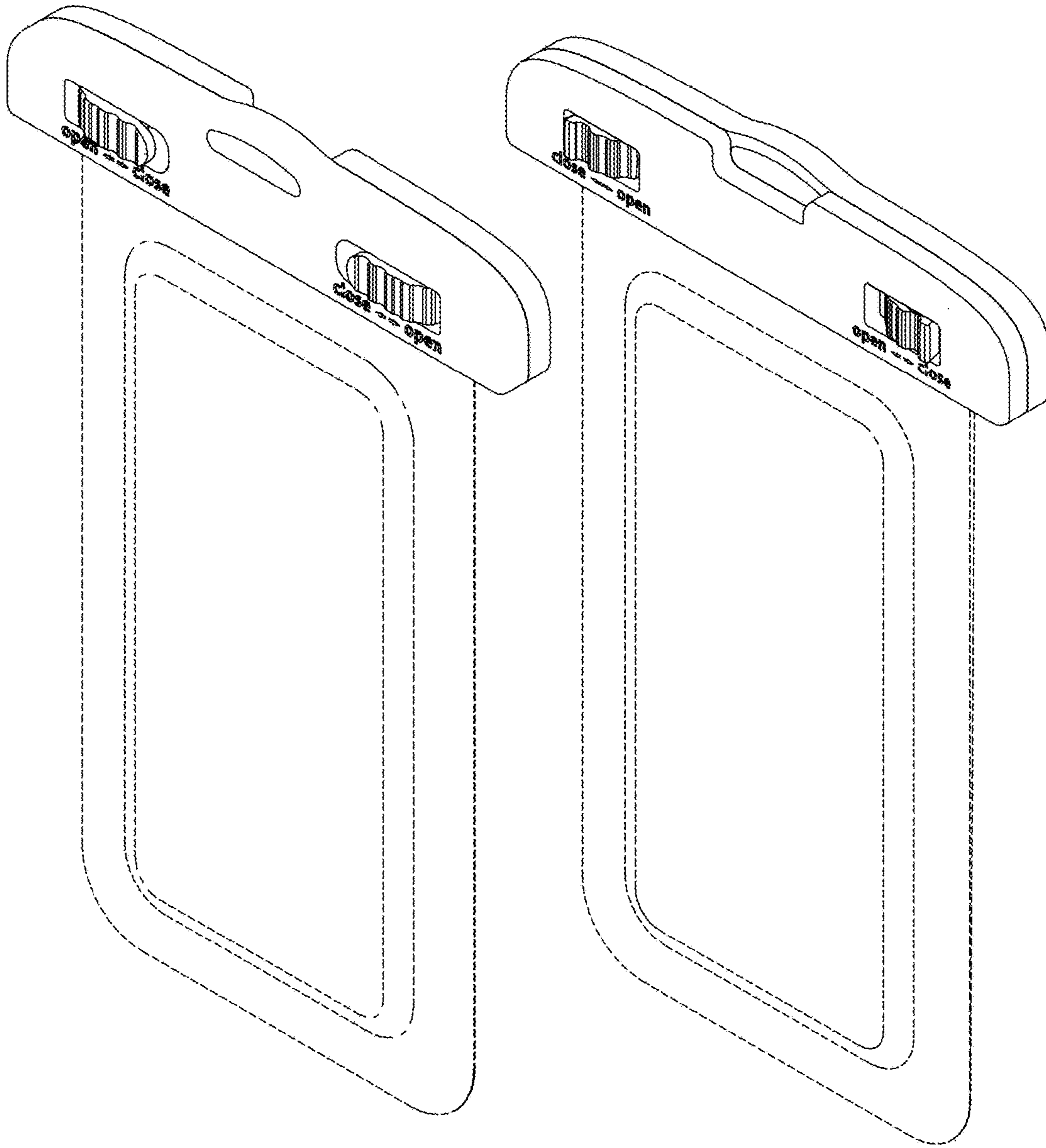


FIG.7

FIG.8

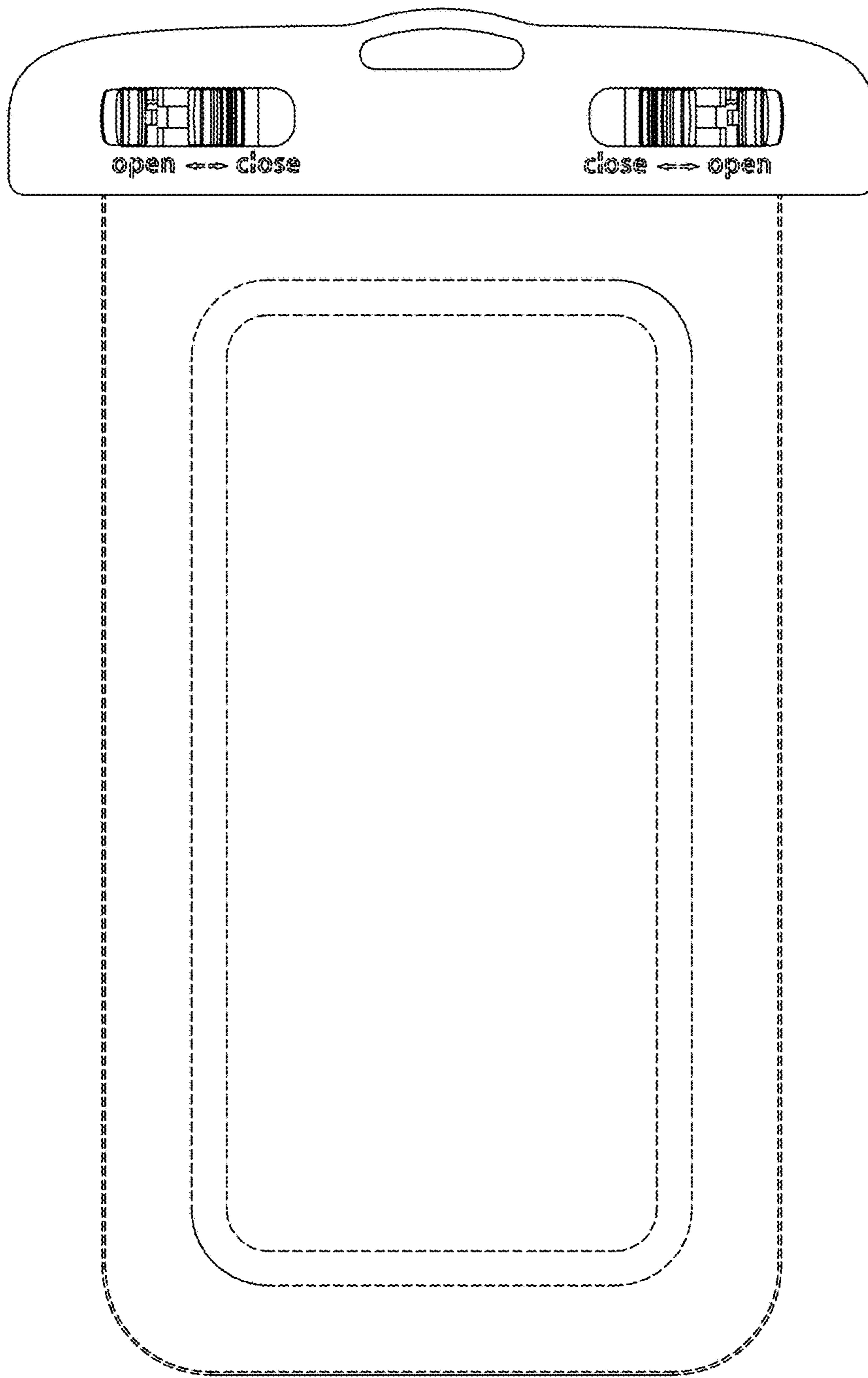


FIG. 9

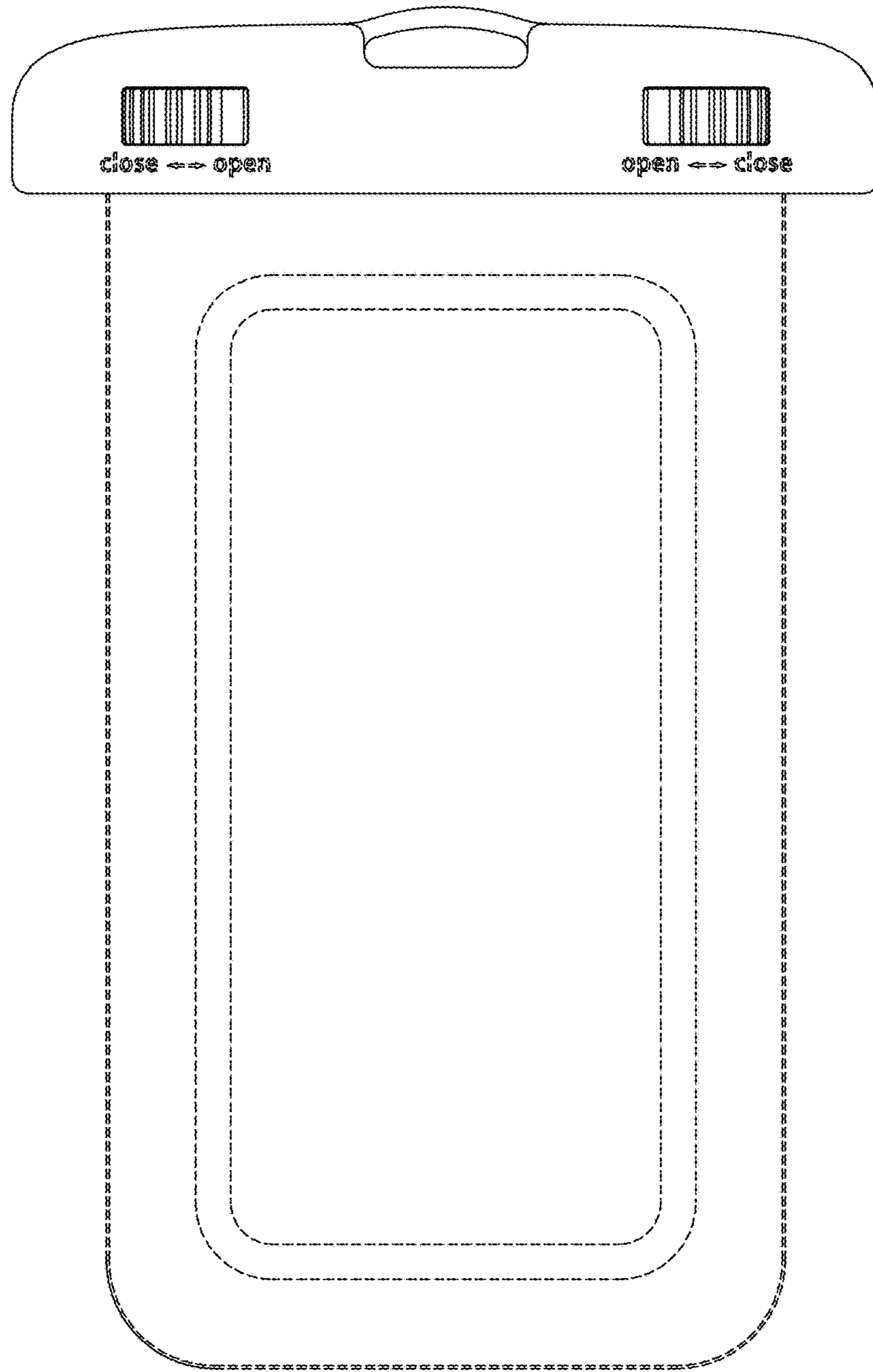


FIG.10



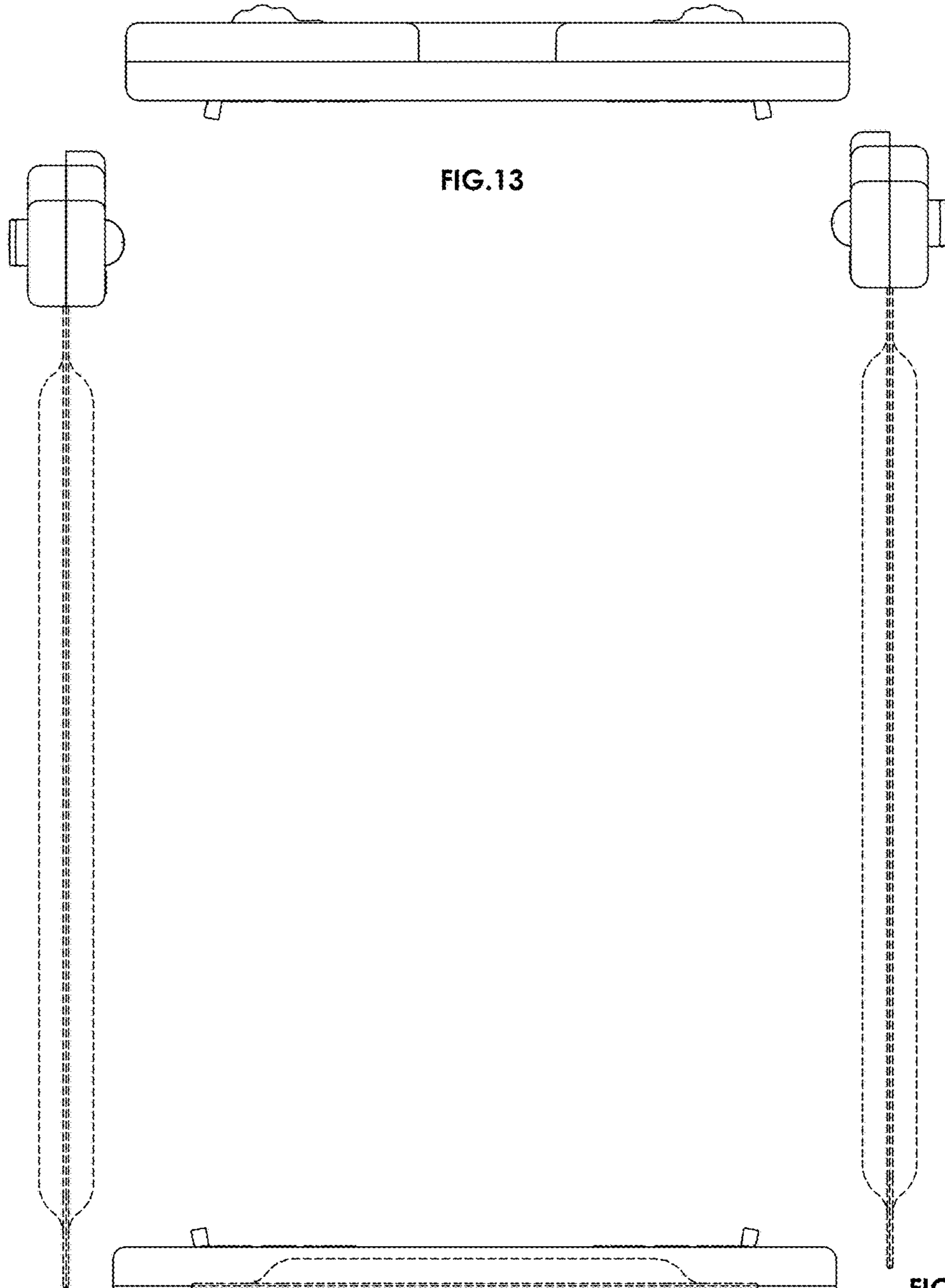


FIG.13

FIG.11

FIG12

FIG.14

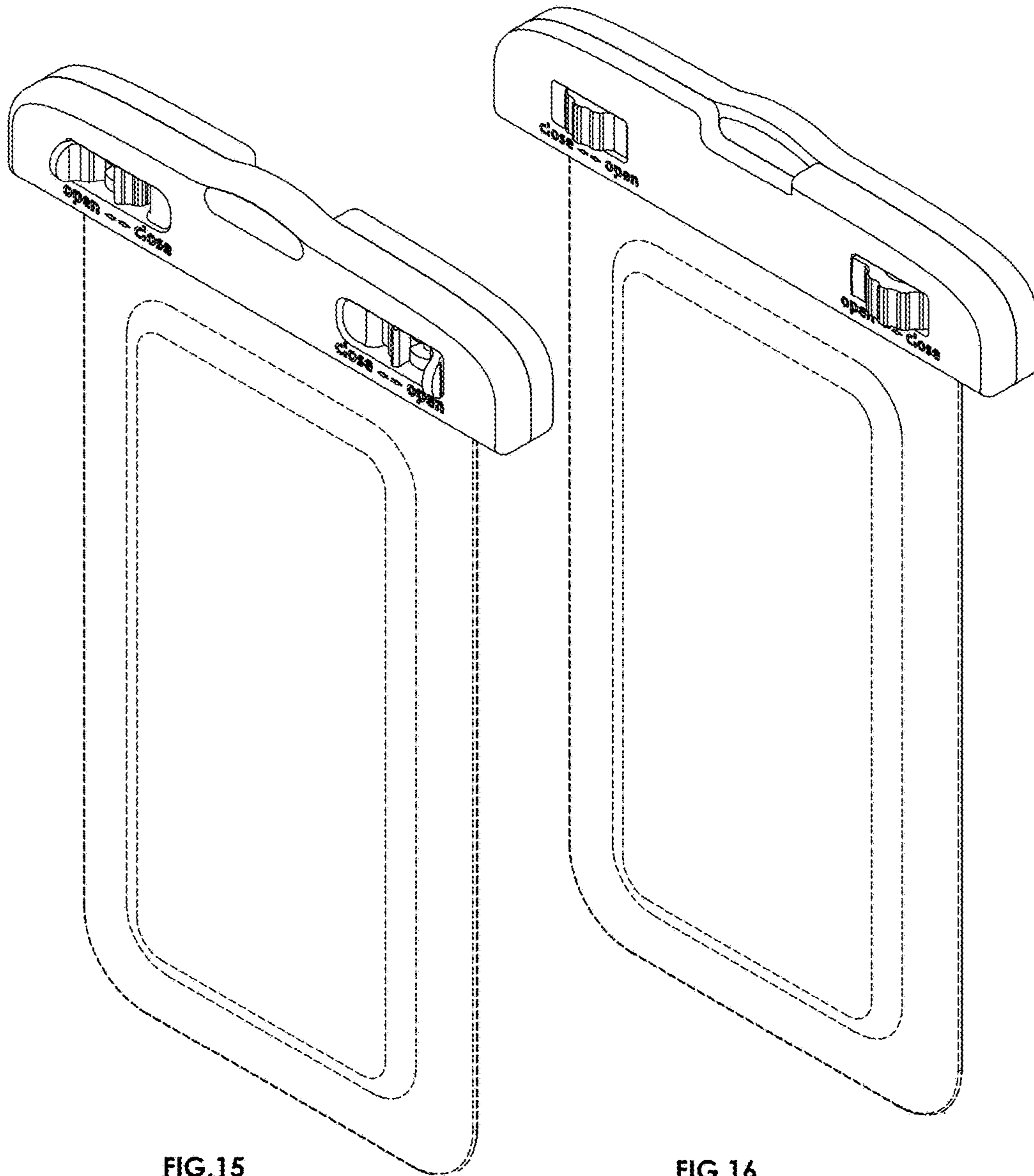


FIG.15

FIG.16