



US00D799460S

(12) **United States Design Patent** (10) **Patent No.:** **US D799,460 S**
Katopis (45) **Date of Patent:** **** Oct. 10, 2017**

(54) **CASE WITH FINGER ARTICULATION FOR ELECTRONIC COMMUNICATIONS DEVICE**

(71) Applicant: **Chris J. Katopis**, Washington, DC (US)

(72) Inventor: **Chris J. Katopis**, Washington, DC (US)

(**) Term: **15 Years**

(21) Appl. No.: **29/551,304**

(22) Filed: **Jan. 12, 2016**

(51) **LOC (10) Cl.** **14-03**

(52) **U.S. Cl.**
USPC **D14/250**

(58) **Field of Classification Search**
USPC D14/238.1, 248, 250, 439, 440, D14/203.3–203.7, 217, 240, 447, D14/251–253; D3/201, 218, 247, 269, D3/273, 301, 303; D13/103, 107–108, D13/119
CPC H04B 1/3888; H04M 1/0283; H04M 1/0202; A45C 1/06; A45C 2011/002; A45C 11/00; A45C 13/02; A45F 2005/026; A45F 2200/0525; A45F 2200/0516

See application file for complete search history.

(56) **References Cited**

U.S. PATENT DOCUMENTS

D386,227 S	11/1997	Hegenbarth et al.	
D556,681 S	12/2007	Kim	
D589,016 S *	3/2009	Richardson	D14/138 AA
D593,746 S *	6/2009	Richardson	D3/201
D597,301 S *	8/2009	Richardson	D3/201
D603,602 S *	11/2009	Richardson	D3/218
D605,850 S *	12/2009	Richardson	D3/218
D613,282 S	4/2010	Richardson et al.	
D628,994 S	12/2010	Griffin et al.	
D633,504 S *	3/2011	Alexander, Jr.	D14/447
D634,313 S	3/2011	Fitzpatrick et al.	
D641,154 S	7/2011	Smith	

(Continued)

OTHER PUBLICATIONS

“iPhone 6s Smart Battery Case,” apple.com, [retrieved Jan. 10, 2016] <URL: <http://www.apple.com/shop/product/MGQM2LL/A/iphone-smart-battery-case-white>>.

Primary Examiner — Carla Jobe Wright

(74) *Attorney, Agent, or Firm* — Chris J. Katopis

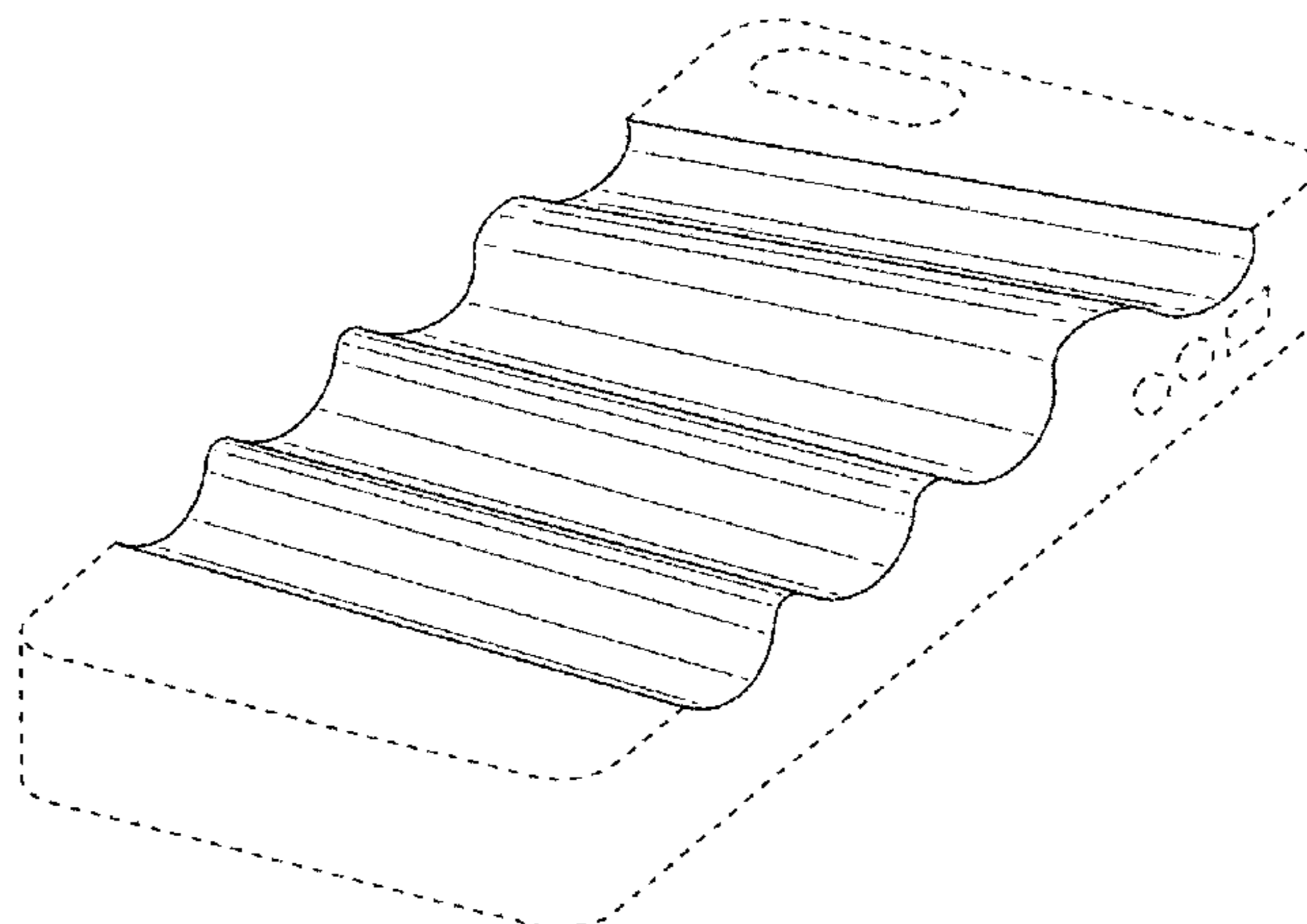
(57) **CLAIM**

The ornamental design for a case with finger articulation for electronic communications device, as shown and described.

DESCRIPTION

FIG. 1 is a back perspective view of a case with finger articulation for electronic communications device showing a first embodiment of my new design;
FIG. 2 is a back view thereof;
FIG. 3 is a side view thereof;
FIG. 4 is the opposite side view thereof;
FIG. 5 is top view thereof;
FIG. 6 is bottom view thereof;
FIG. 7 is a front view thereof;
FIG. 8 is a back view of a case with finger articulation for electronic communications device showing a second embodiment of my new design;
FIG. 9 is a back perspective view thereof;
FIG. 10 is a back view of a case with finger articulation for electronic communications device showing a third embodiment of my new design;
FIG. 11 is a back perspective view thereof;
FIG. 12 is a back view of a case with finger articulation for electronic communications device showing a fourth embodiment of my new design; and,
FIG. 13 is a back perspective view thereof.
The broken lines depict environmental subject matter that forms no part of the claimed design.

1 Claim, 9 Drawing Sheets



(56)

References Cited

U.S. PATENT DOCUMENTS

D641,346 S *	7/2011	Fathollahi	D14/250	D718,294 S	11/2014	Barfoot et al.	
D642,579 S *	8/2011	Deutsch	D14/440	D718,742 S *	12/2014	Warner D14/217
D647,881 S *	11/2011	Warner	D14/217	D718,756 S	12/2014	Barfoot et al.	
D651,205 S *	12/2011	Soekoro	D14/250	D719,145 S	12/2014	Barfoot et al.	
D682,815 S *	5/2013	Chang	D14/250	D720,341 S	12/2014	Sharudenko	
D687,026 S	7/2013	Ruvolo			D721,376 S	1/2015	Lee	
D688,233 S	8/2013	Dong			D725,091 S	3/2015	Wen	
D690,928 S	10/2013	Zhang			D725,380 S	3/2015	Zhang	
D694,744 S	12/2013	Kim			D727,917 S	4/2015	Yeo	
D695,246 S *	12/2013	Jeong	D14/138 AA	D728,469 S	5/2015	Castelli	
D700,610 S *	3/2014	Deutsch	D14/440	D729,787 S *	5/2015	Soekoro D14/250
D702,222 S	4/2014	Kim			D730,340 S	5/2015	Akana et al.	
8,702,141 B2 *	4/2014	Vinciguerra	B65D 1/34 294/172	D730,341 S	5/2015	Chan et al.	
D704,693 S	5/2014	Kim			9,033,384 B2 *	5/2015	Potter A45F 5/10 294/25
D705,208 S	5/2014	Kim			D731,473 S	6/2015	Akana et al.	
D706,274 S *	6/2014	Shubin, Sr.	D14/447	D733,694 S	7/2015	Kim	
D706,753 S	6/2014	Kim			D735,184 S	7/2015	Lee et al.	
D707,218 S	6/2014	YoonYoung			D737,260 S *	8/2015	Lee D14/248
D707,219 S	6/2014	Kim			D737,262 S	8/2015	Jia et al.	
D710,607 S	8/2014	Kim			D741,309 S	10/2015	Kim et al.	
D711,363 S	8/2014	Kim et al.			D743,389 S	11/2015	Akana et al.	
D714,279 S *	9/2014	McCurry	D14/250	D744,994 S	12/2015	Akana et al.	
D716,287 S *	10/2014	Ambriz	D14/253	D745,014 S *	12/2015	Vales D14/447
D717,779 S	11/2014	Dong			D746,801 S	1/2016	Pan	
					D769,233 S *	10/2016	Qian D14/250
					2007/0215512 A1 *	9/2007	Bellissimo A47G 23/0625 206/557

* cited by examiner

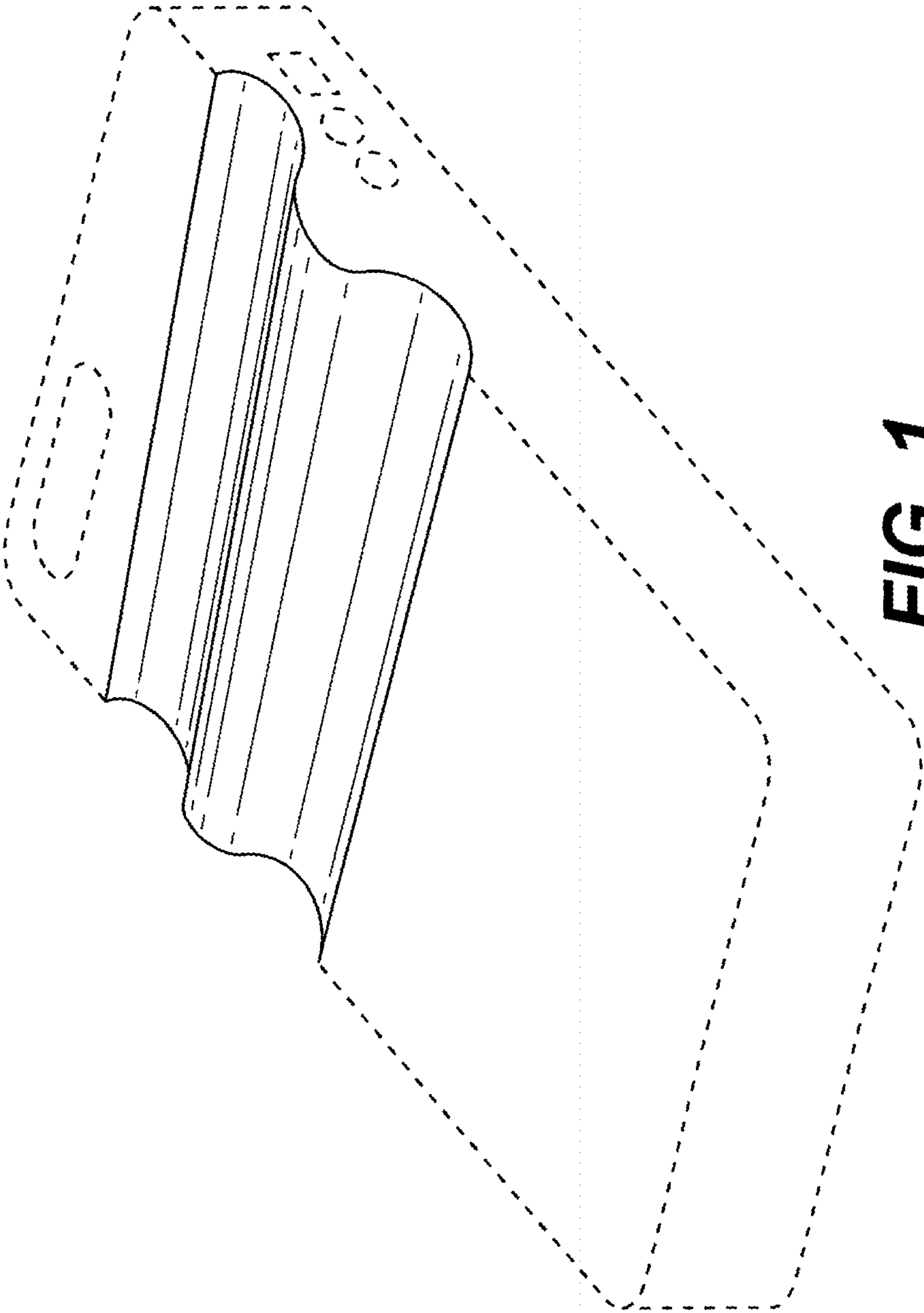


FIG. 1

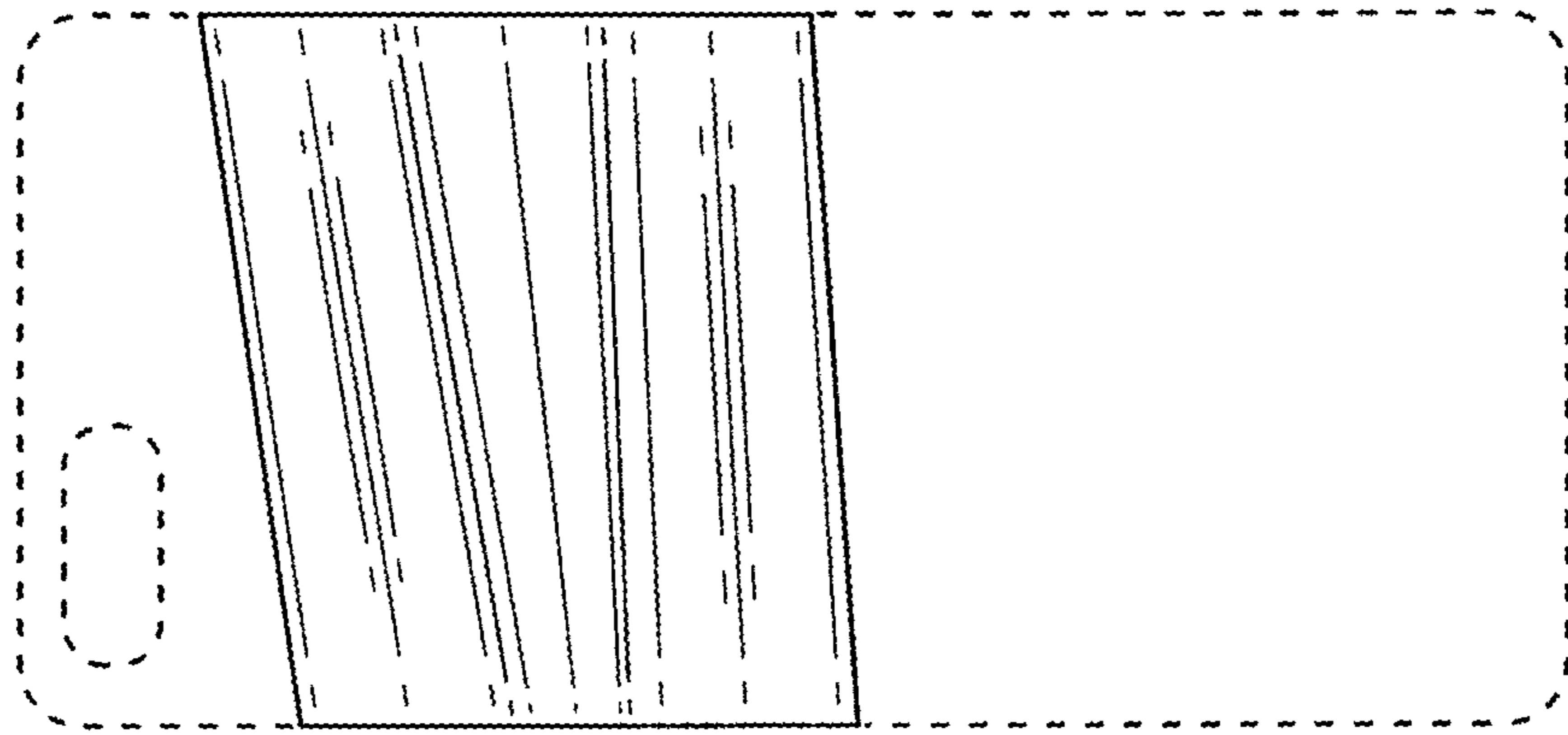


FIG. 2

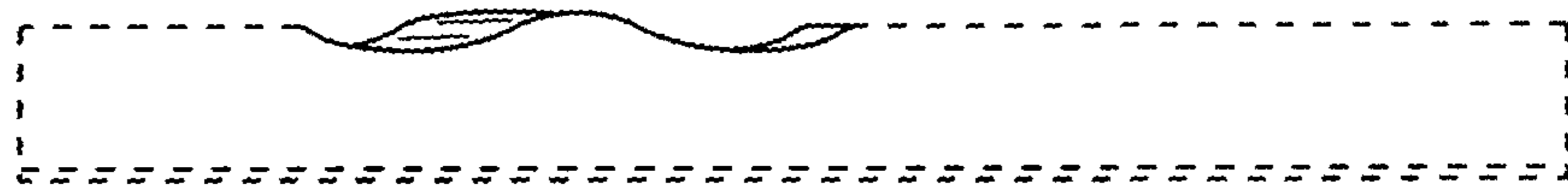


FIG. 3

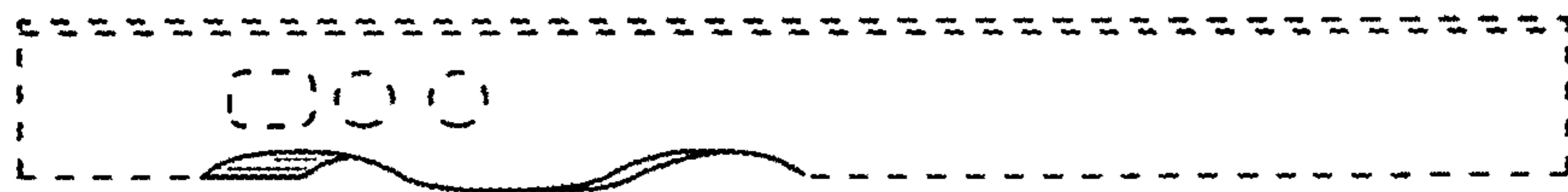


FIG. 4



FIG. 5



FIG. 6



FIG. 7

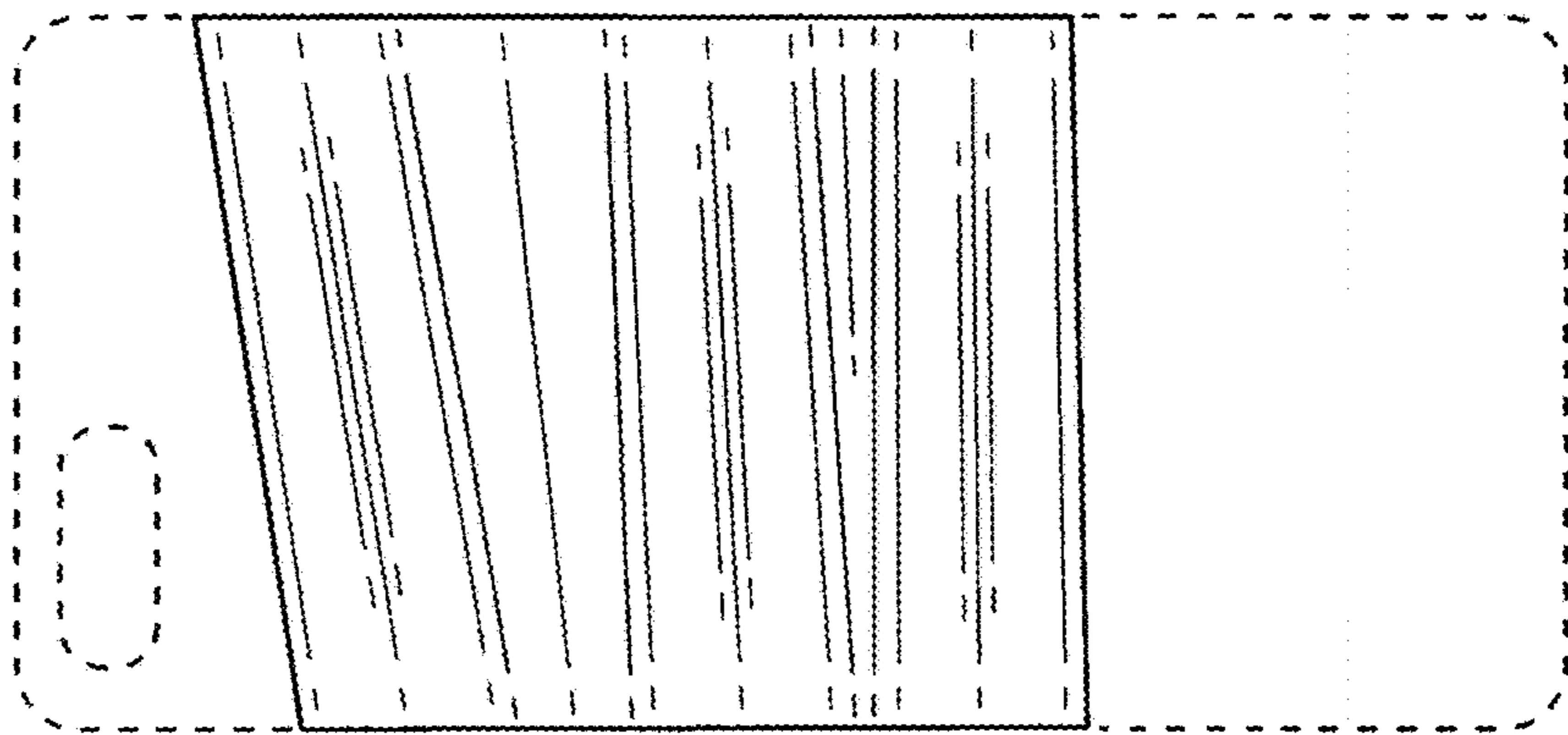


FIG. 8

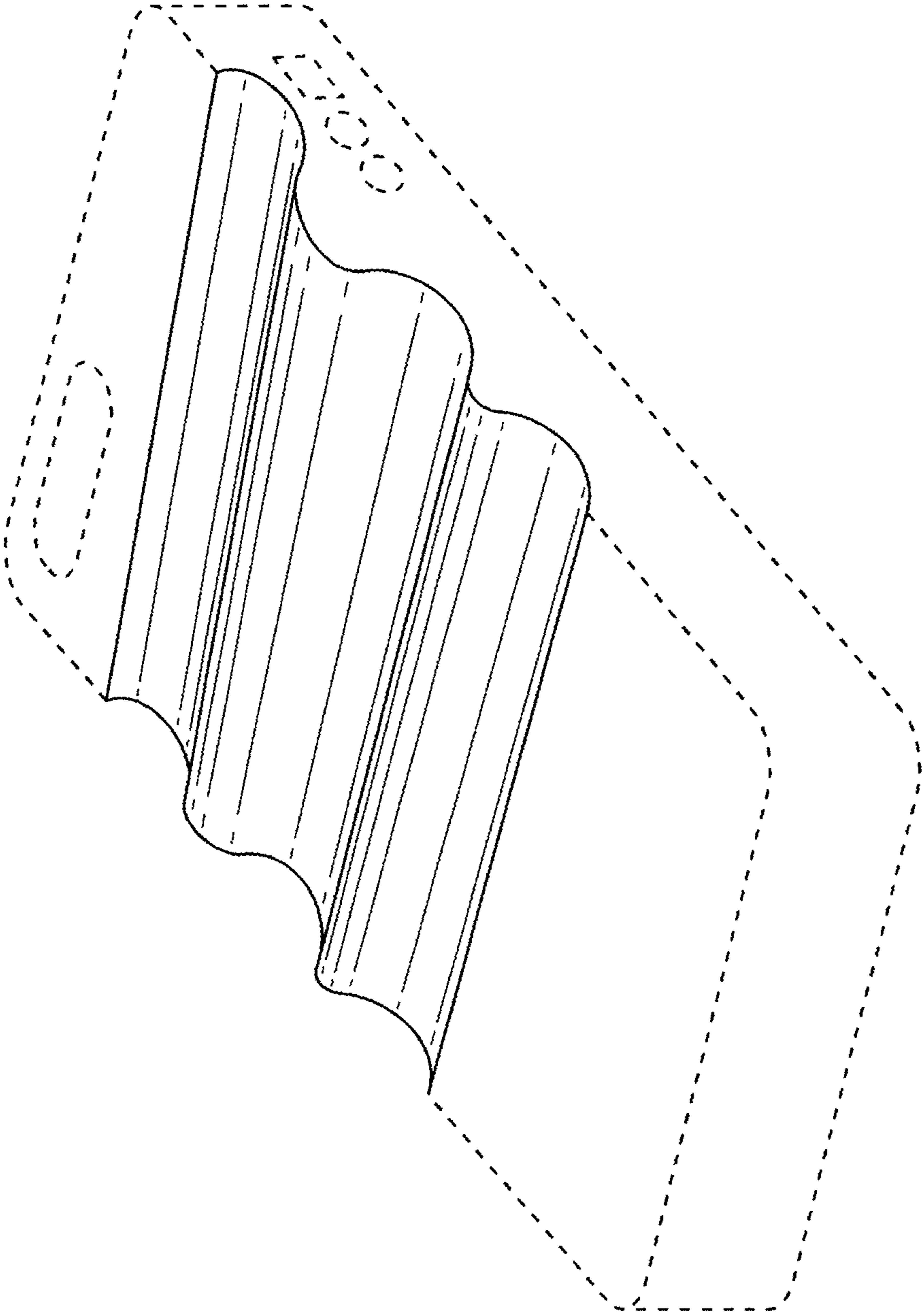


FIG. 9

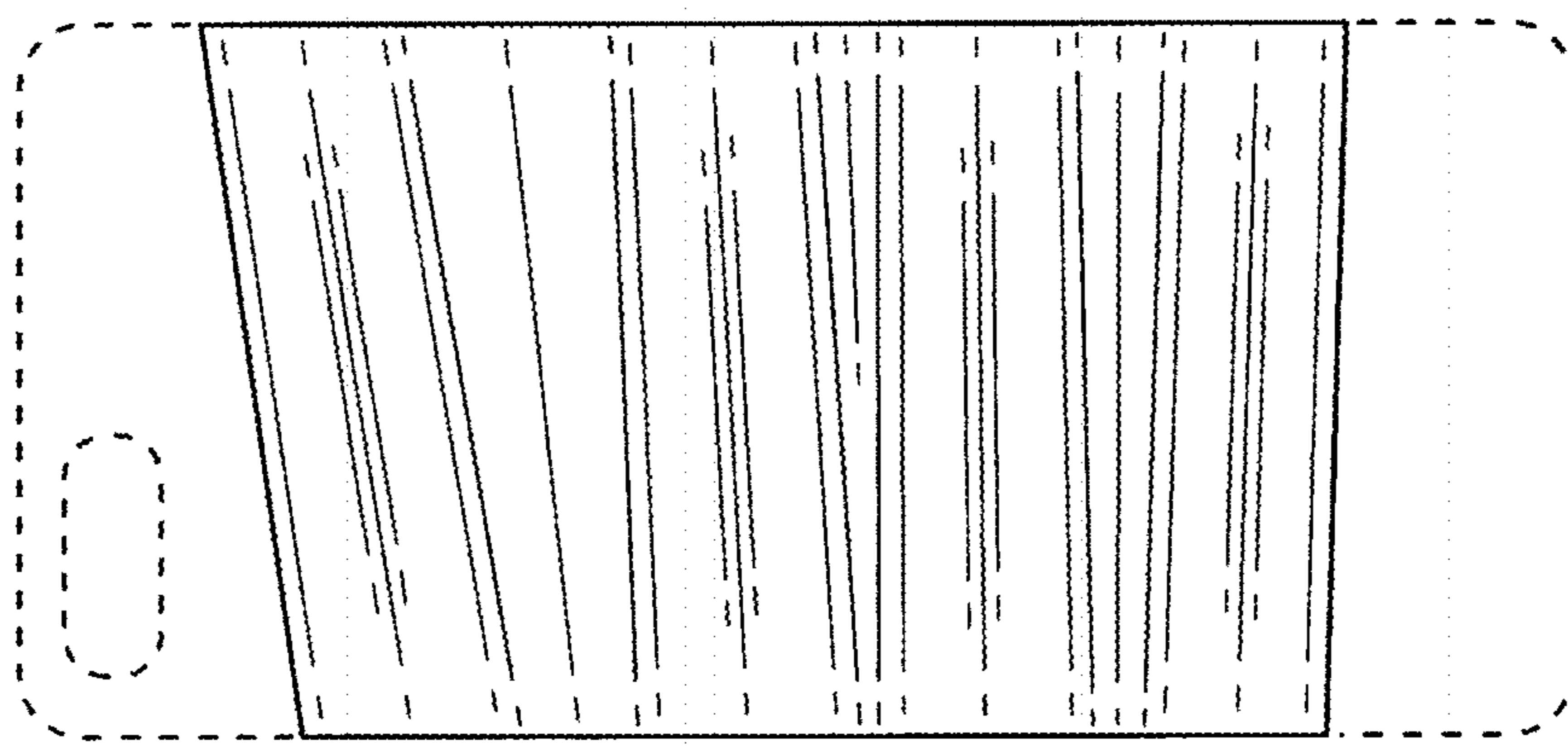


FIG. 10

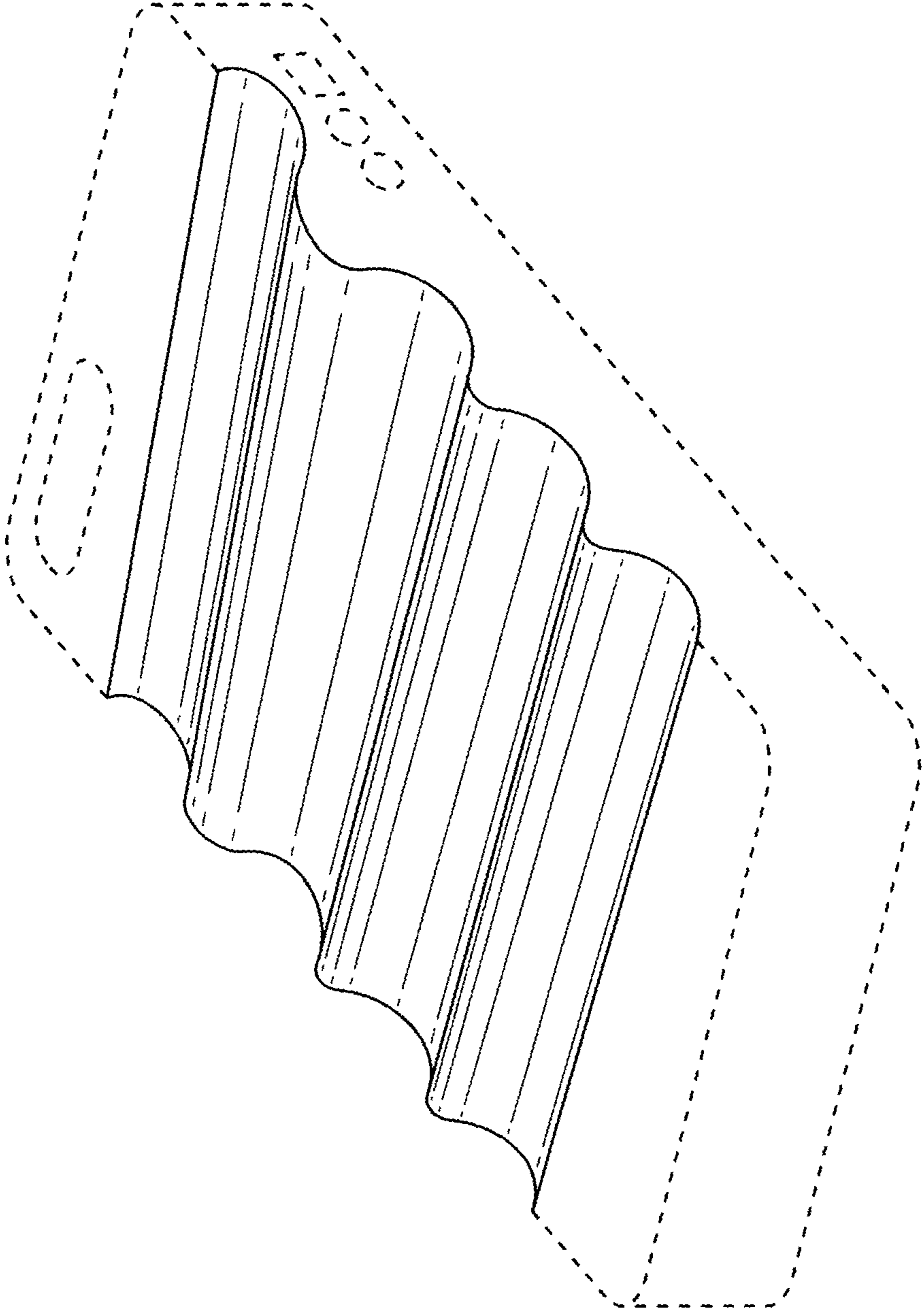


FIG. 11

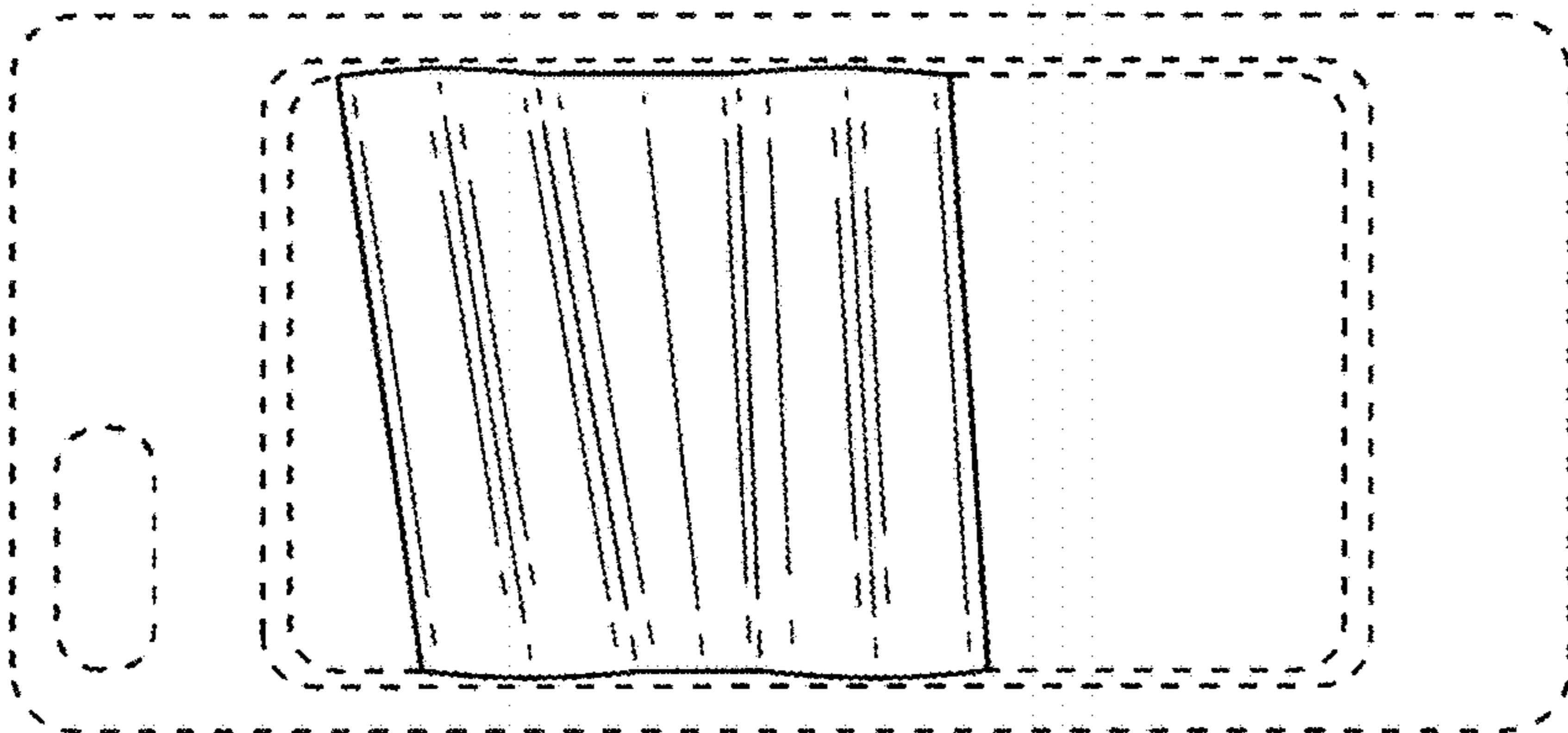


FIG. 12

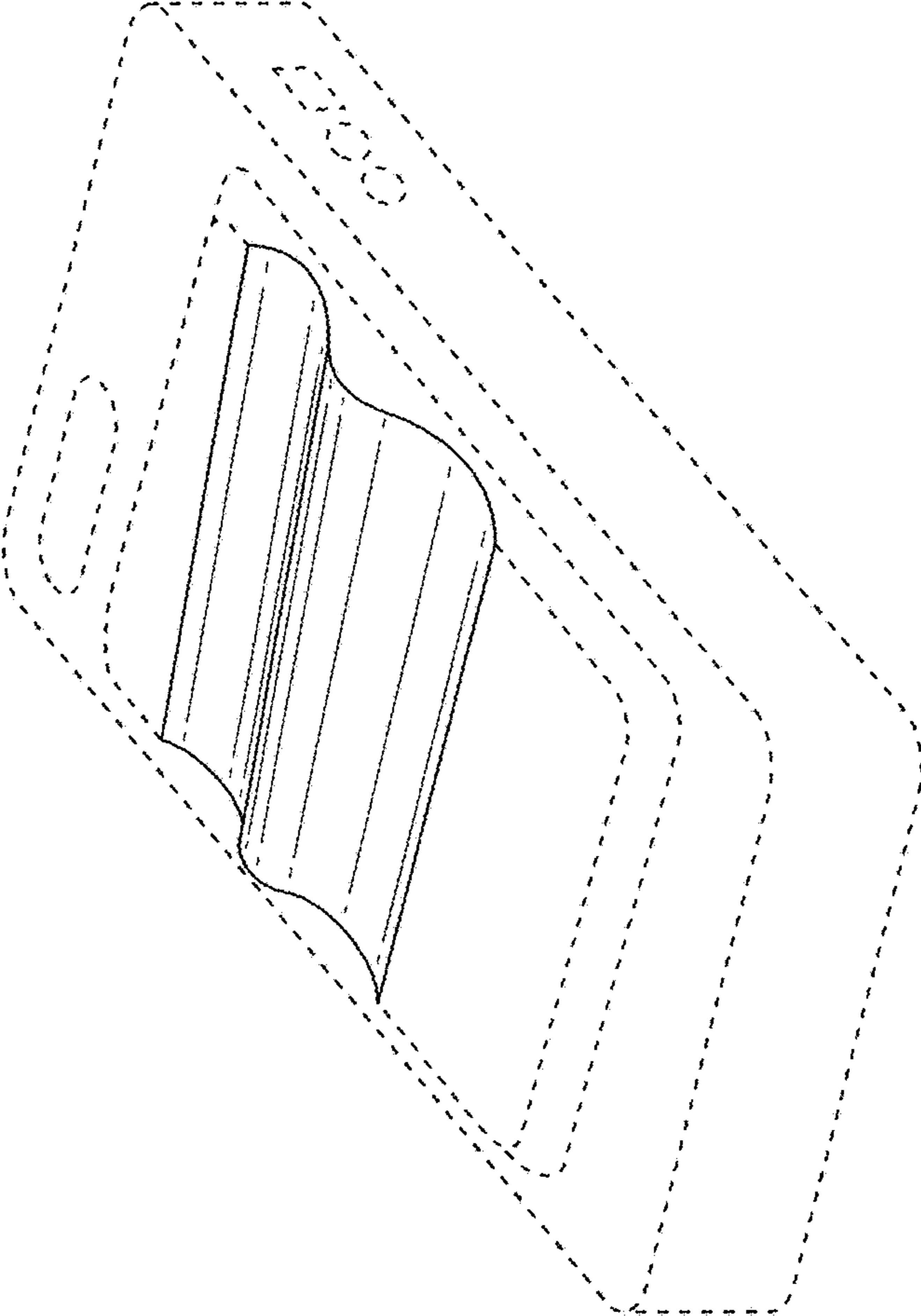


FIG. 13