



US00D799459S

(12) **United States Design Patent** (10) **Patent No.:** **US D799,459 S**  
**Lee et al.** (45) **Date of Patent:** **\*\* Oct. 10, 2017**

(54) **TELEVISION RECEIVER**

(71) Applicant: **Samsung Electronics Co., Ltd.**,  
Suwon-si (KR)

(72) Inventors: **Sang-Young Lee**, Gwangmyung-si  
(KR); **Hee-Bong Kim**, Gimpo-si (KR);  
**Won-Jun Lee**, Seoul (KR)

(73) Assignee: **Samsung Electronics Co., Ltd.**,  
Suwon-si (KR)

(\*\*) Term: **15 Years**

(21) Appl. No.: **29/569,047**

(22) Filed: **Jun. 23, 2016**

(30) **Foreign Application Priority Data**

Dec. 24, 2015 (KR) ..... 30-2015-0066216

(51) **LOC (10) Cl.** ..... **14-03**

(52) **U.S. Cl.**  
USPC ..... **D14/239; D14/126**

(58) **Field of Classification Search**  
USPC ..... D14/125-134, 239, 371, 136, 374-377,  
D14/440, 450, 448, 336, 342, 159;  
312/7.2; 348/836, 838, 180, 184, 325,  
348/739; 248/917-924, 465; 345/104,  
345/133, 156, 168, 87, 173; D21/329,  
D21/515, 577, 622, 333, 433, 448, 452,  
D21/450, 331, 505; D10/15, 26;  
446/484, 175, 356; D6/477, 479, 300;  
D20/10, 19, 39; D16/203, 241; 160/24  
(Continued)

(56) **References Cited**

U.S. PATENT DOCUMENTS

D722,068 S \* 2/2015 Jung ..... D14/447  
D725,062 S \* 3/2015 Cho ..... D14/126

(Continued)

*Primary Examiner* — Randall Gholson  
(74) *Attorney, Agent, or Firm* — NSIP Law

(57) **CLAIM**

We claim the ornamental design for a television receiver, as shown and described.

**DESCRIPTION**

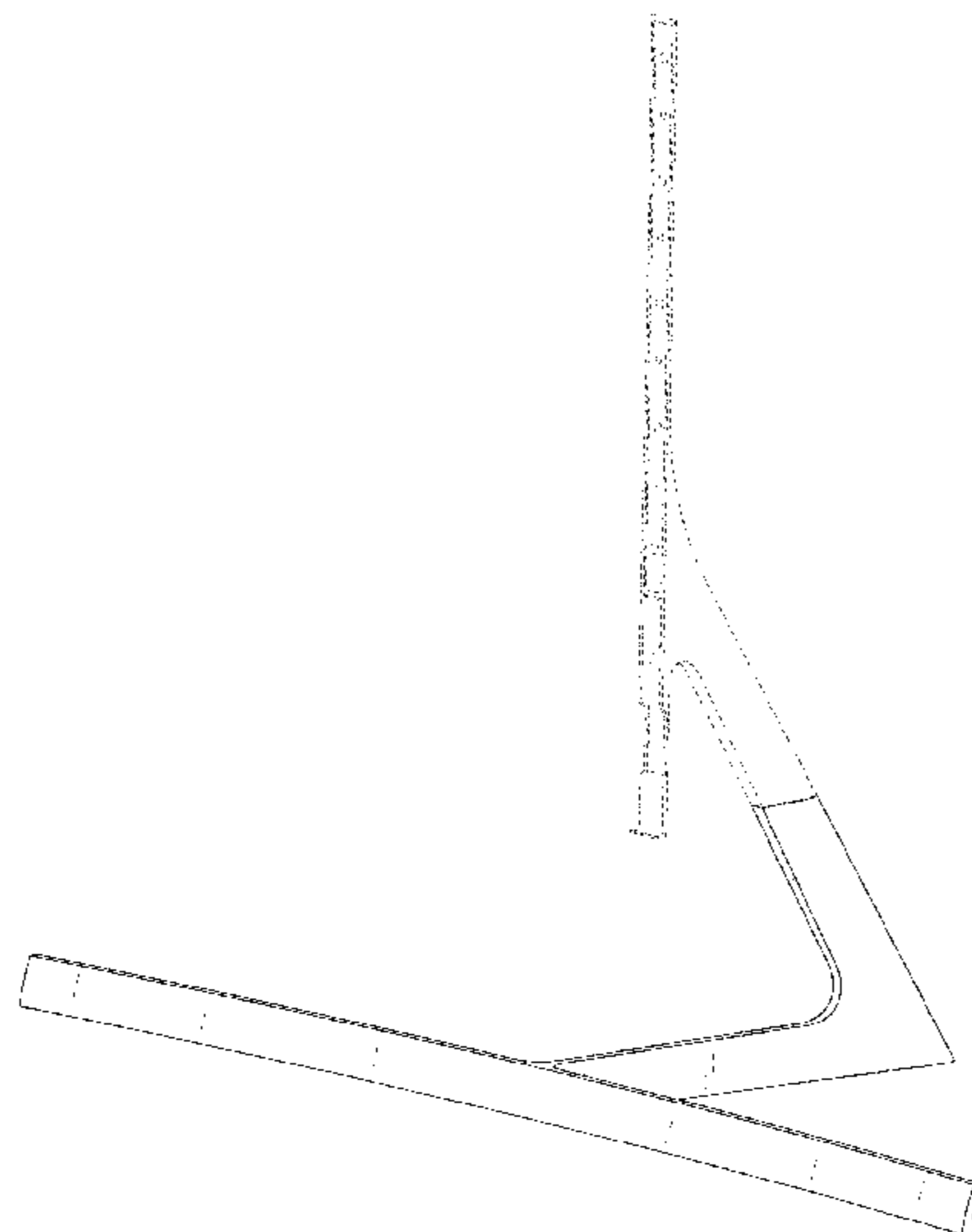
FIG. 1 is a front perspective view of a television receiver showing our new design;  
FIG. 2 is a front view thereof;  
FIG. 3 is a rear view thereof;  
FIG. 4 is a left-side view thereof;  
FIG. 5 is a right-side view thereof;  
FIG. 6 is a top view thereof;  
FIG. 7 is a bottom view thereof;  
FIG. 8 is a rear perspective view thereof;  
FIG. 9 is an enlarged view of the encircled portion in FIG. 1;  
FIG. 10 is an enlarged view of the encircled portion in FIG. 1;  
FIG. 11 is a front perspective view thereof showing the stand portion only;  
FIG. 12 is a front view of FIG. 11;  
FIG. 13 is a rear view of FIG. 11;  
FIG. 14 is a left-side view of FIG. 11;  
FIG. 15 is a right-side view of FIG. 11;  
FIG. 16 is a top view of FIG. 11;  
FIG. 17 is a bottom view of FIG. 11; and,  
FIG. 18 is a rear perspective view of FIG. 11.

The broken lines in the figures depict environmental subject matter and form no part of the claimed design.

The dot-dash broken lines in the figures represent the boundaries of the design and form no part of the claimed design.

The dot-dot-dash broken lines encircling portions of the claimed design that are illustrated in enlargements form no part of the claimed design.

**1 Claim, 16 Drawing Sheets**



(58) **Field of Classification Search**

CPC .... G06F 1/1601; G06F 1/1643; G06F 1/1652;  
G06F 1/1647; G06F 3/0412; H05K  
5/0004; H05K 5/0017; H05K 5/02; H05K  
5/0217; H04N 13/0459

See application file for complete search history.

(56) **References Cited**

U.S. PATENT DOCUMENTS

D725,616 S *	3/2015	Oh .....	D14/126
D728,498 S *	5/2015	Park .....	D14/126
D742,846 S *	11/2015	Kang .....	D14/126
D750,093 S *	2/2016	Jung .....	D14/451

\* cited by examiner

FIG. 1

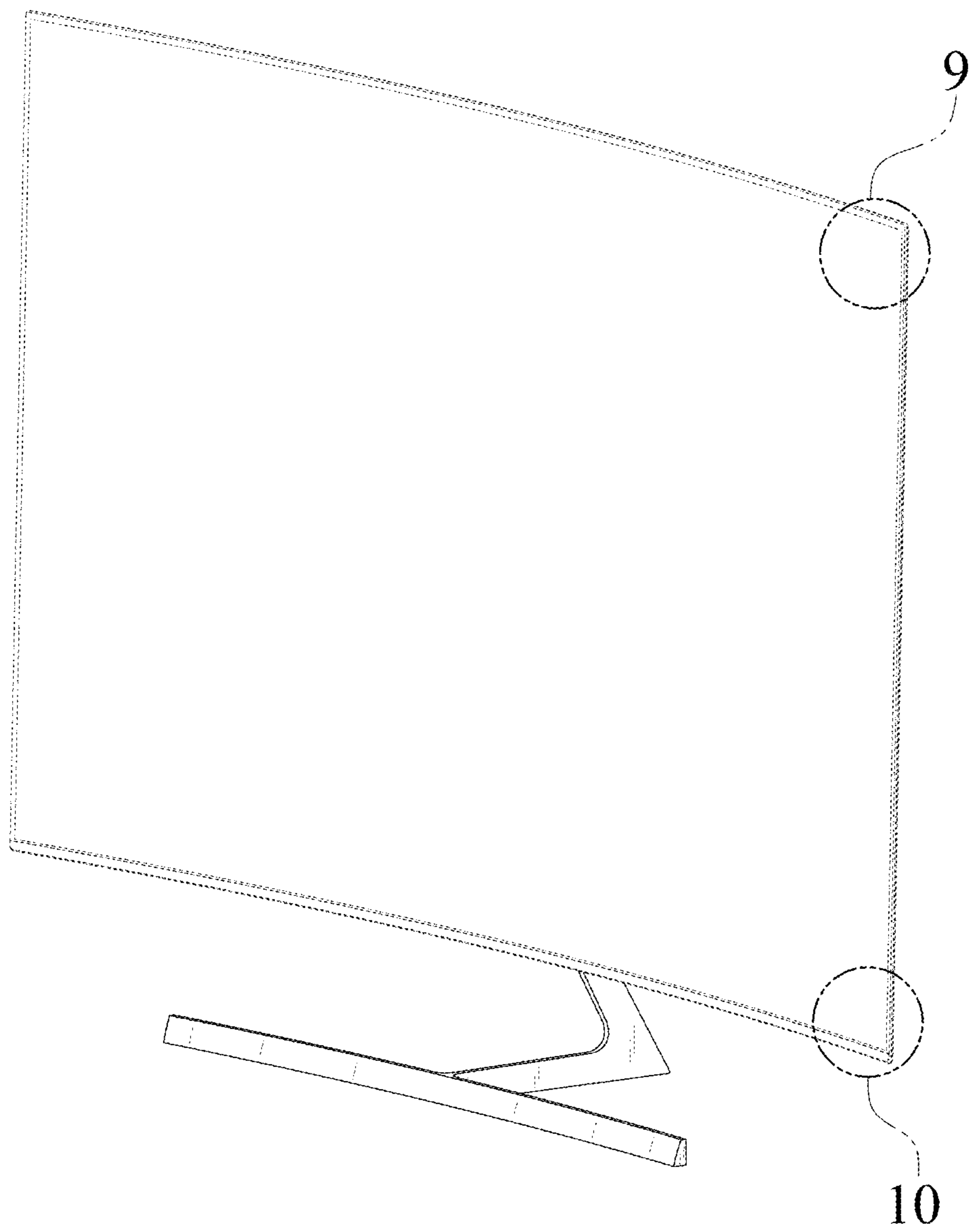


FIG. 2

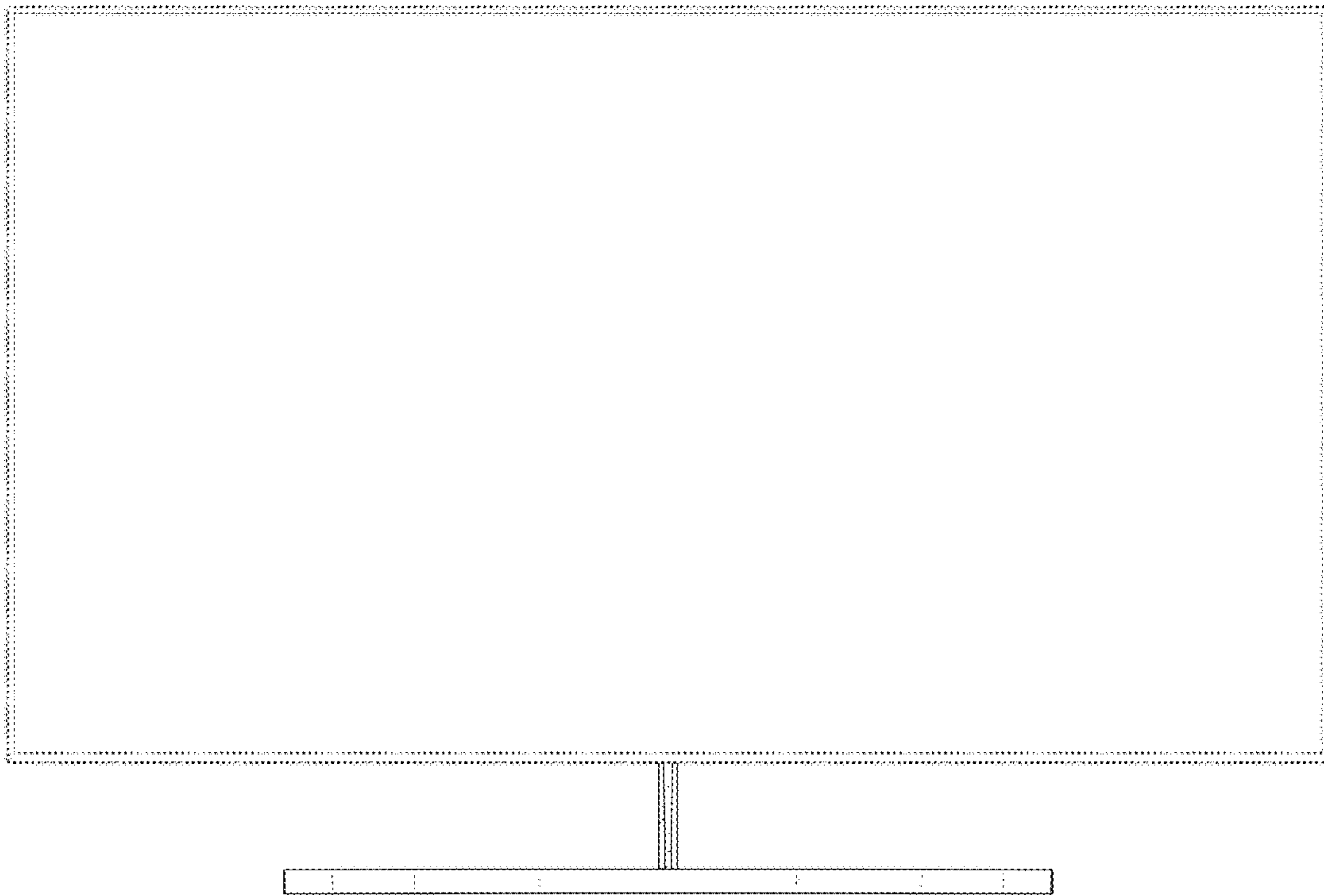


FIG. 3

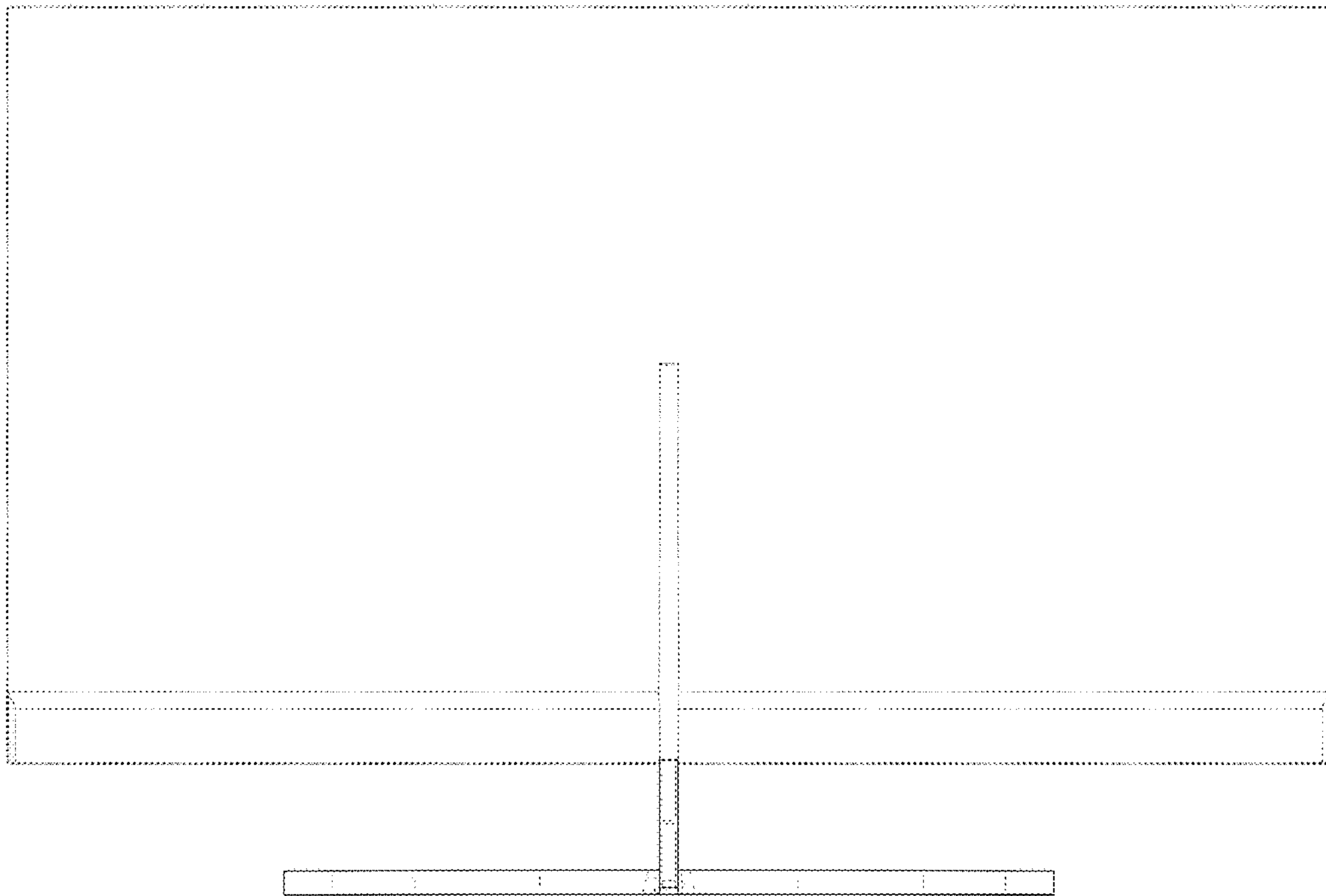


FIG. 4

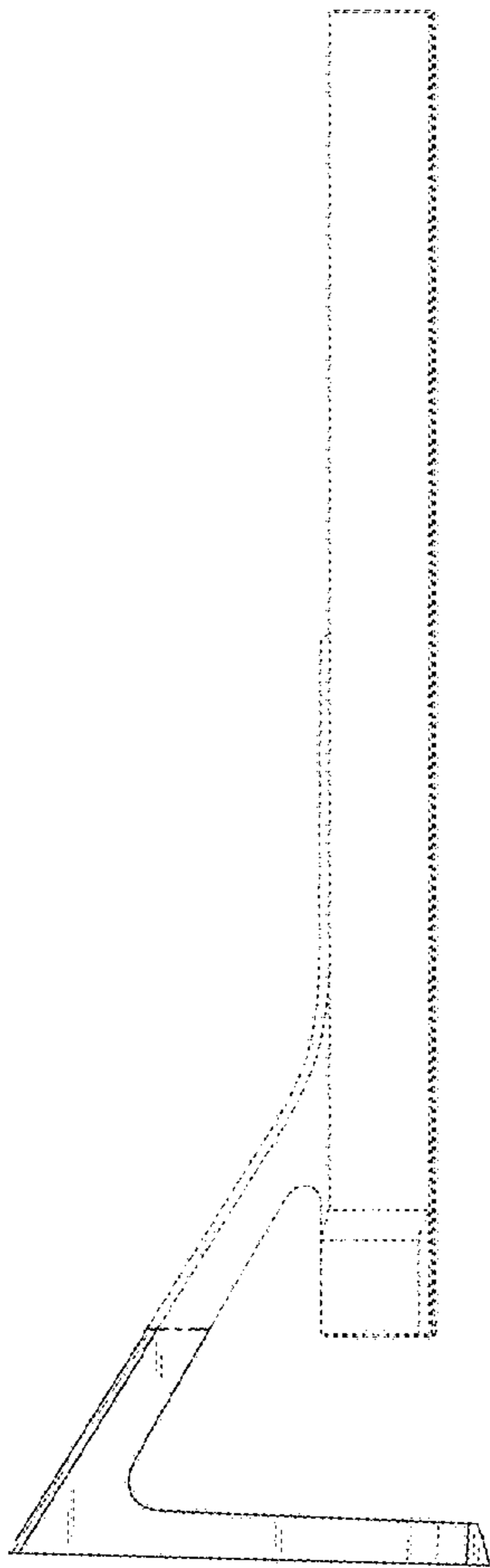


FIG. 5

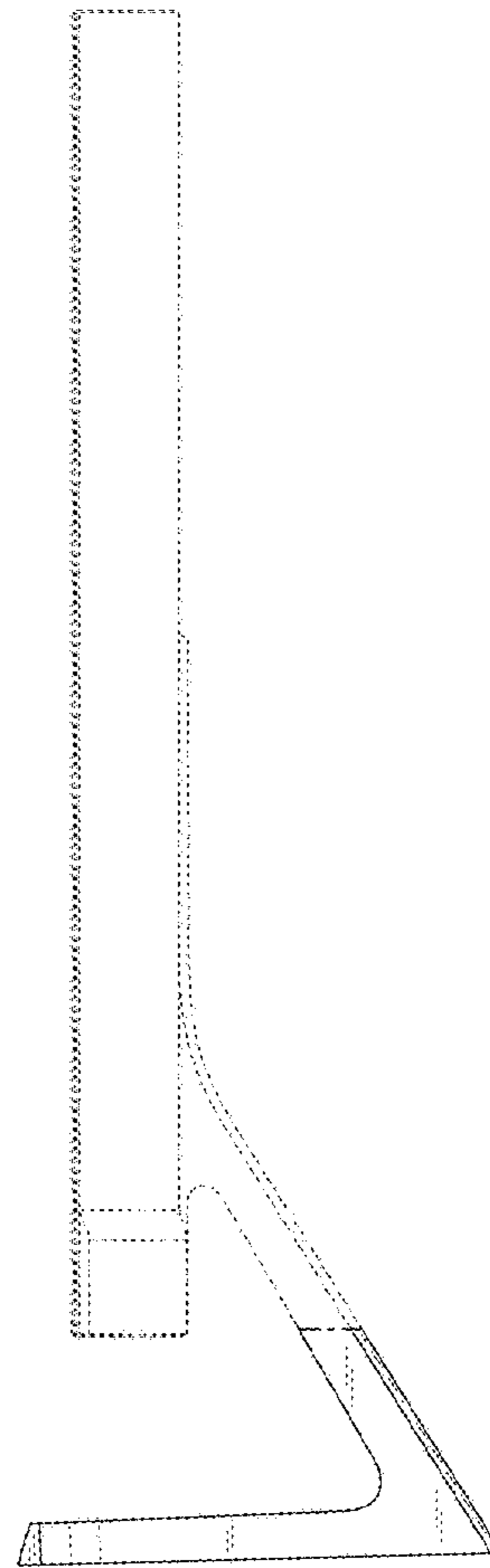


FIG. 6

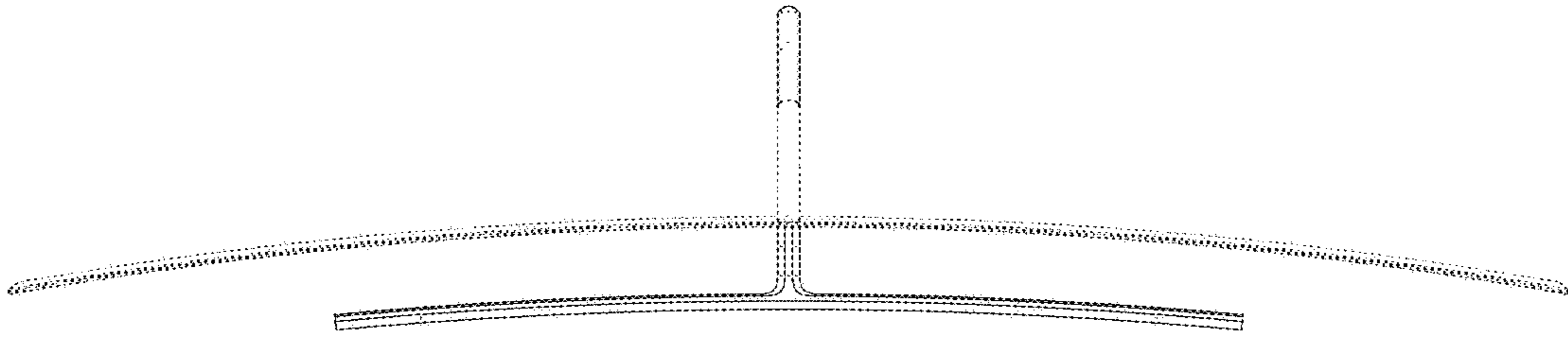


FIG. 7

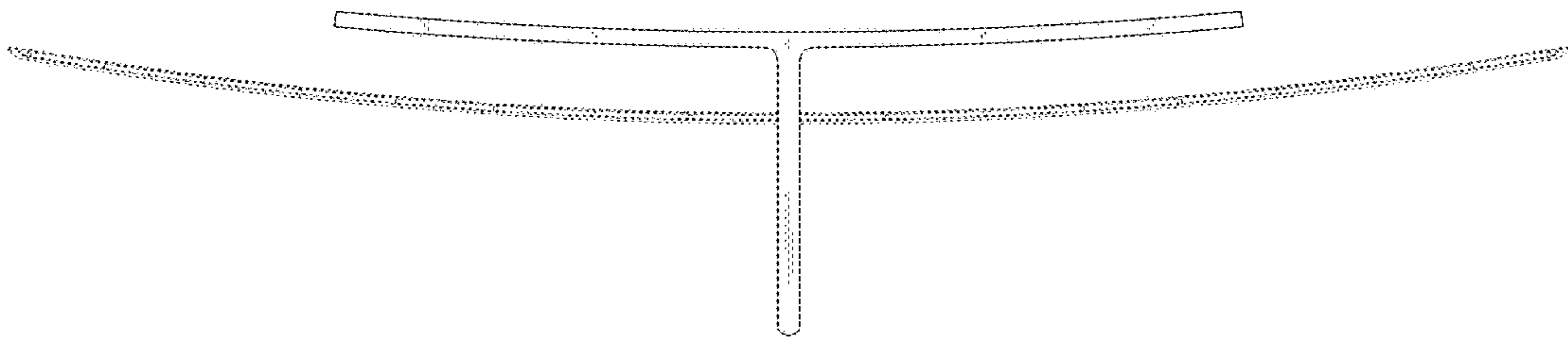


FIG. 8

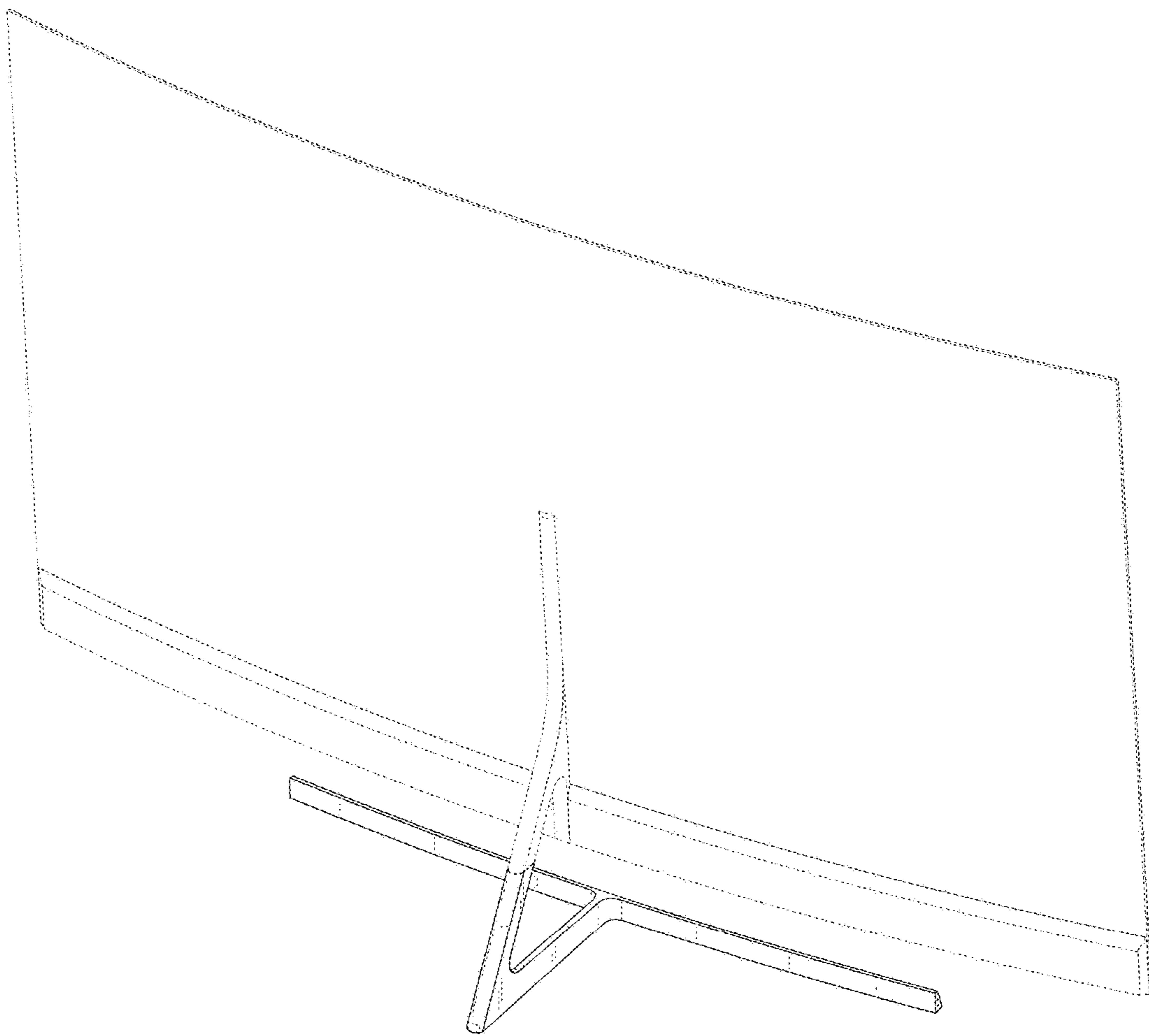




FIG. 9

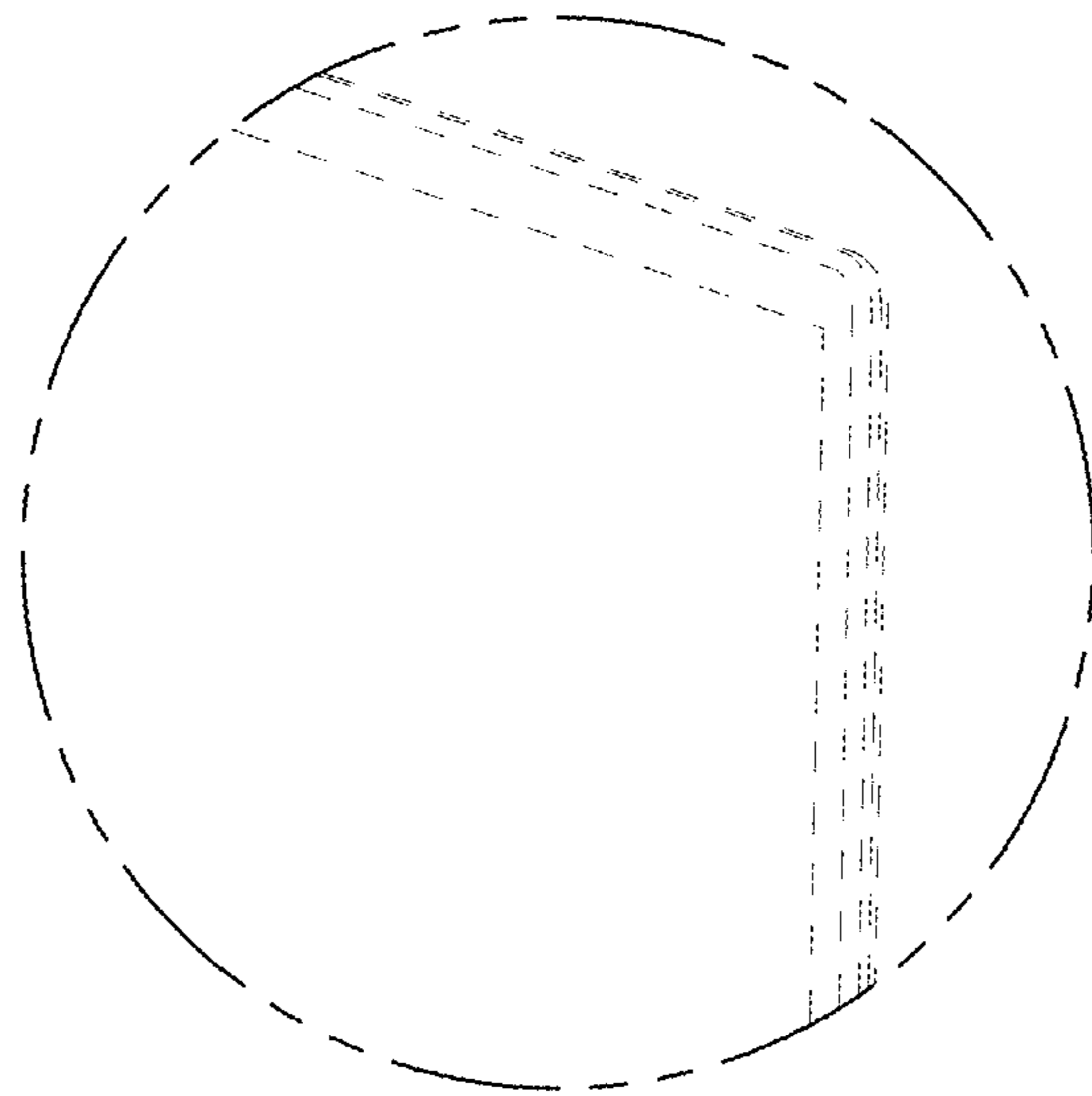


FIG. 10

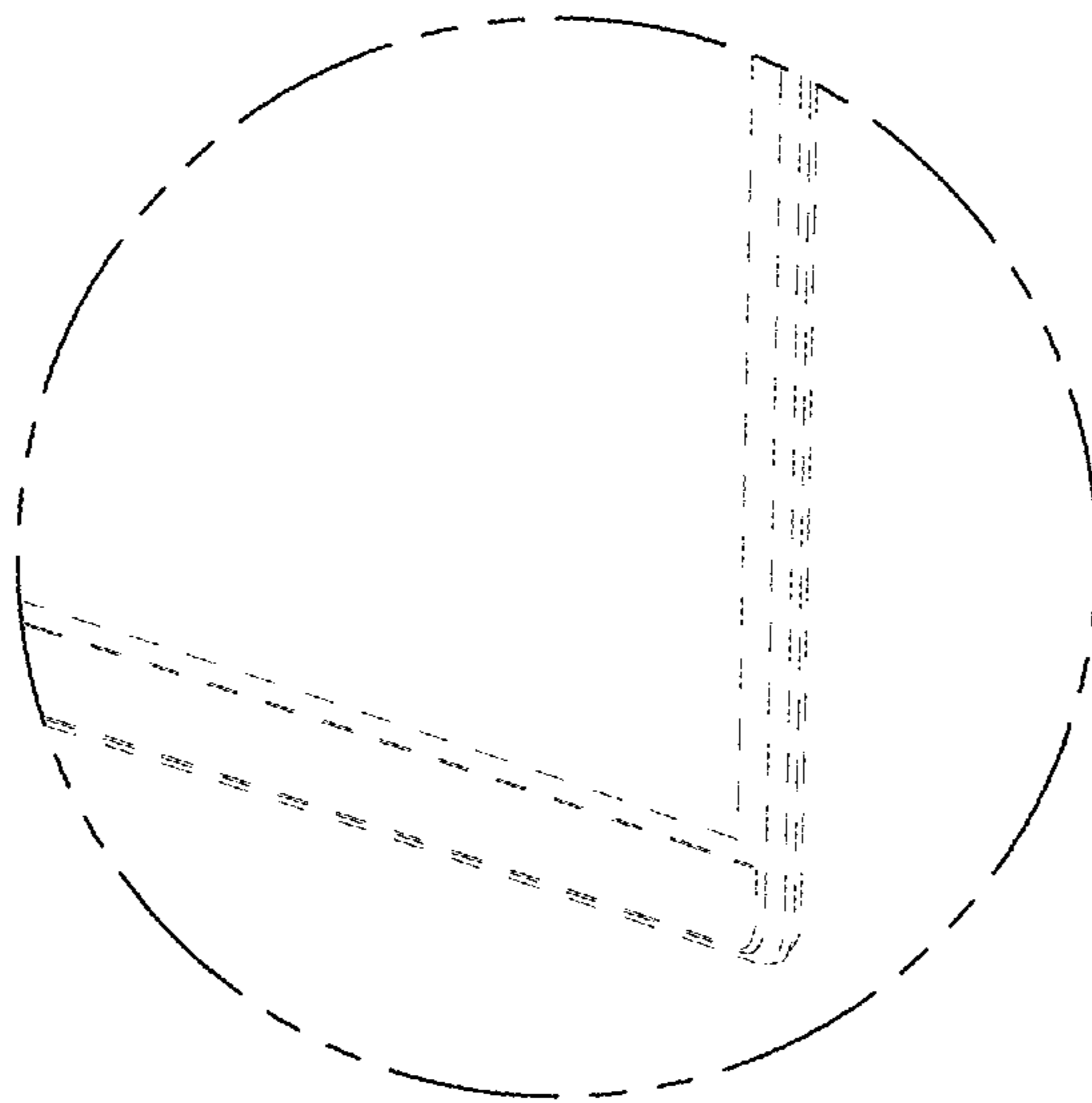


FIG. 11

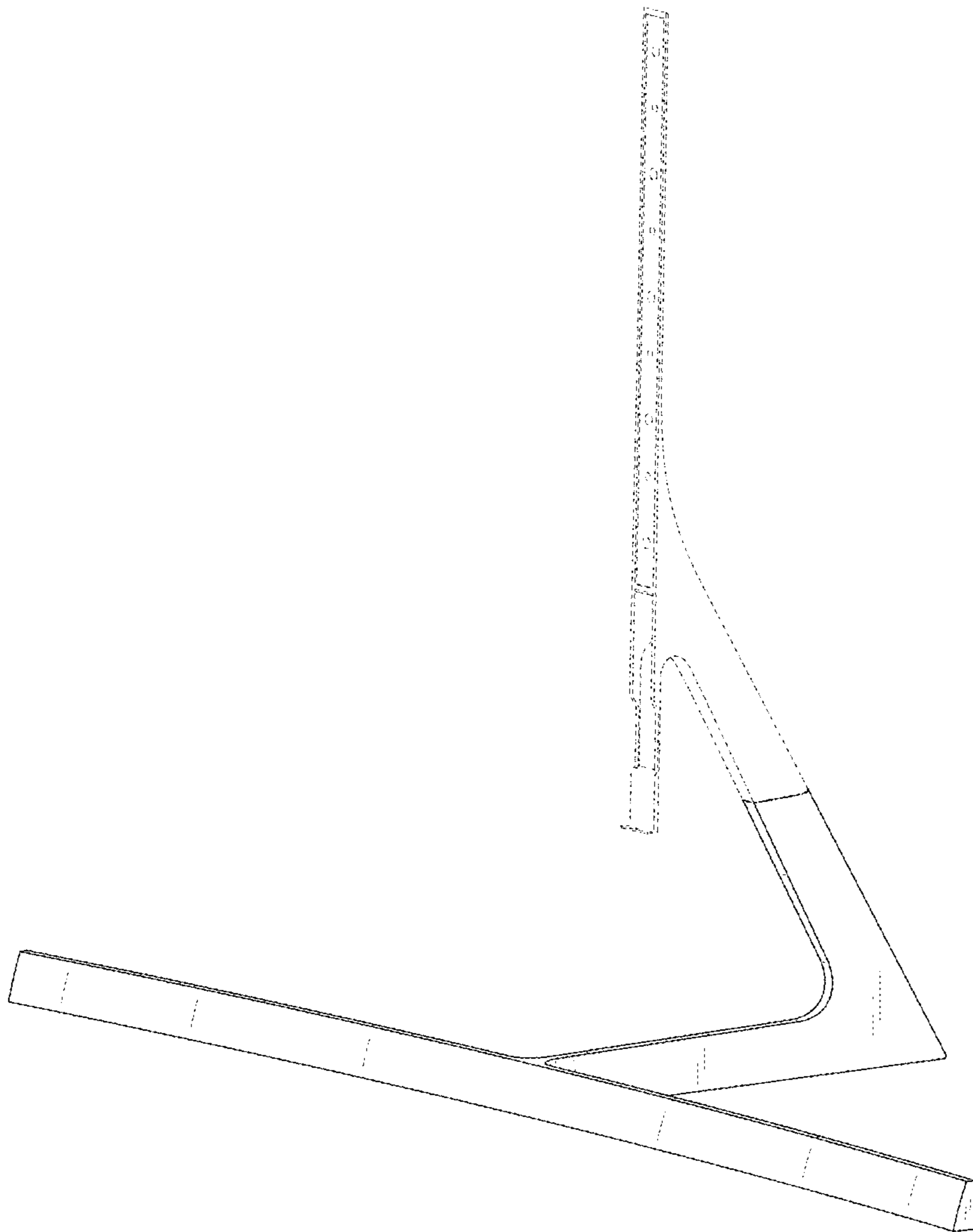


FIG. 12

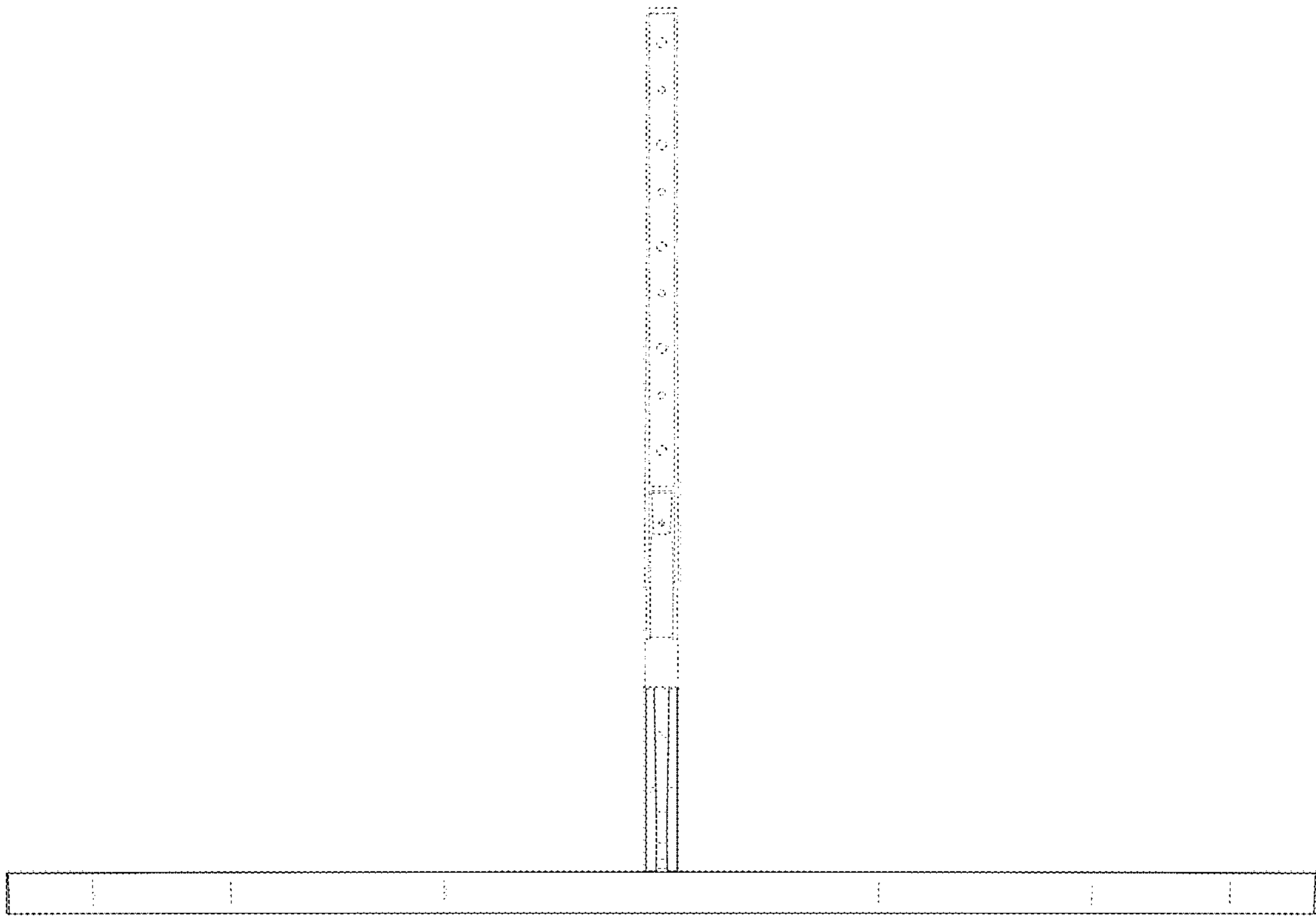


FIG. 13

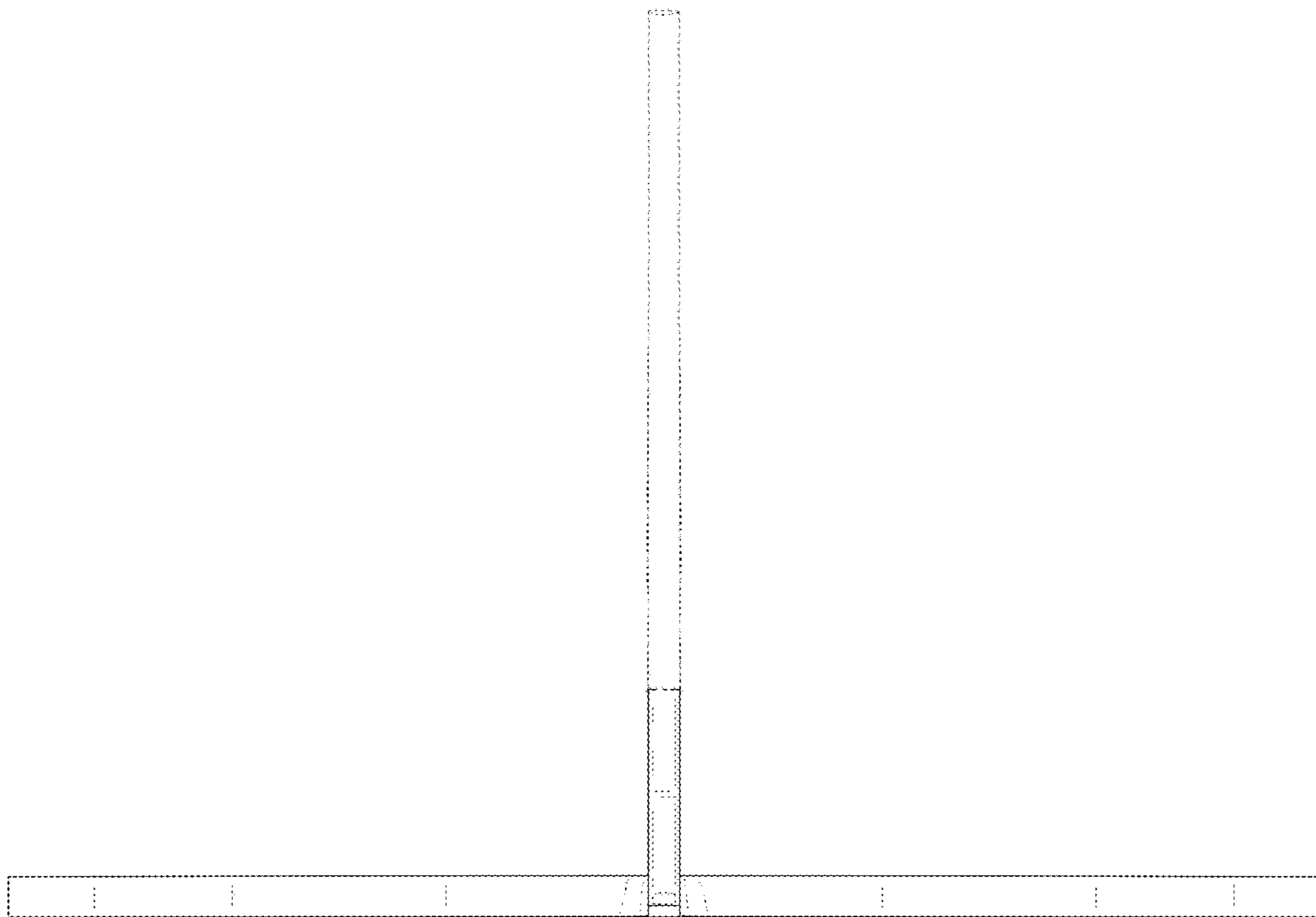


FIG. 14

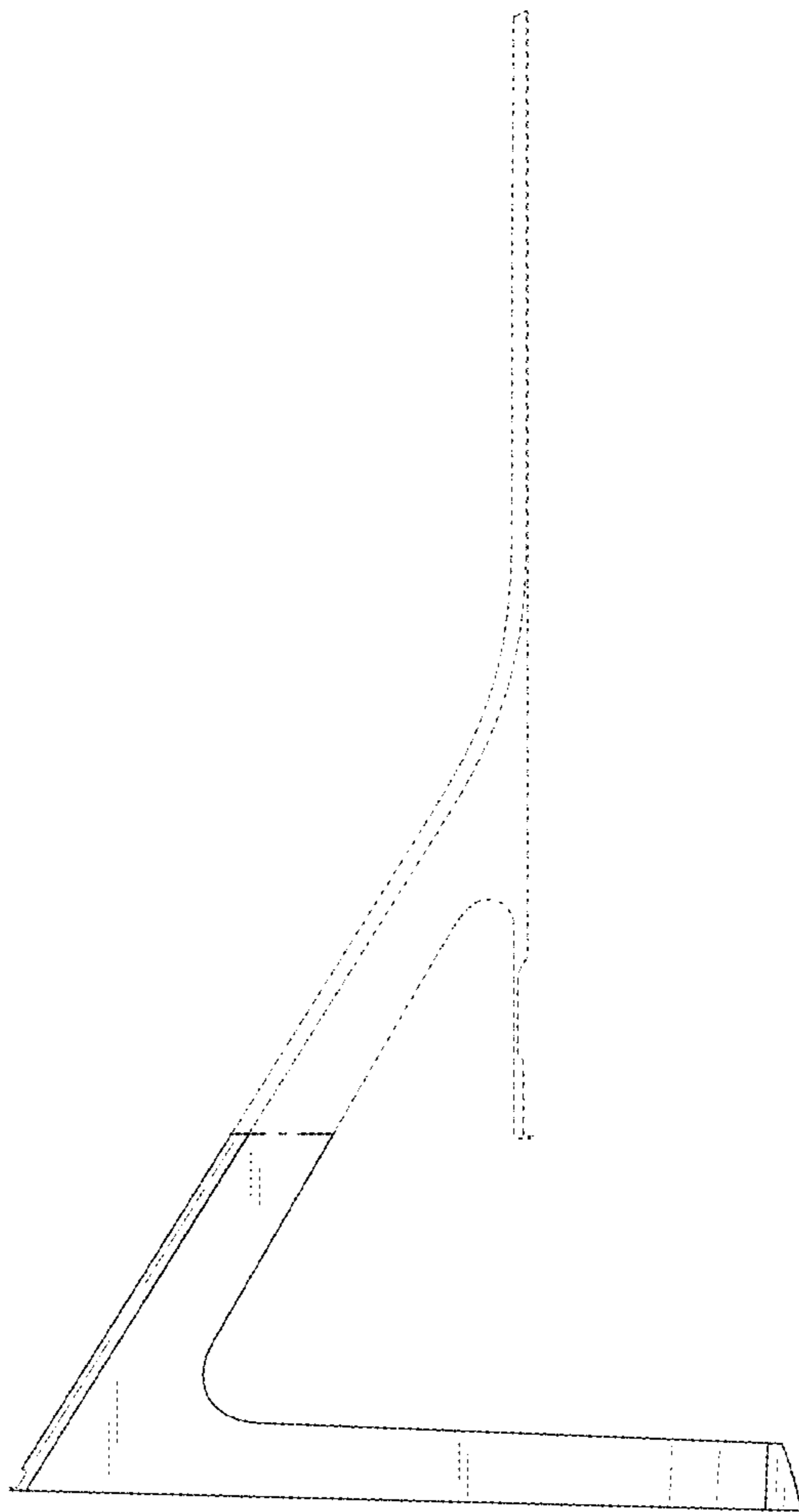


FIG. 15

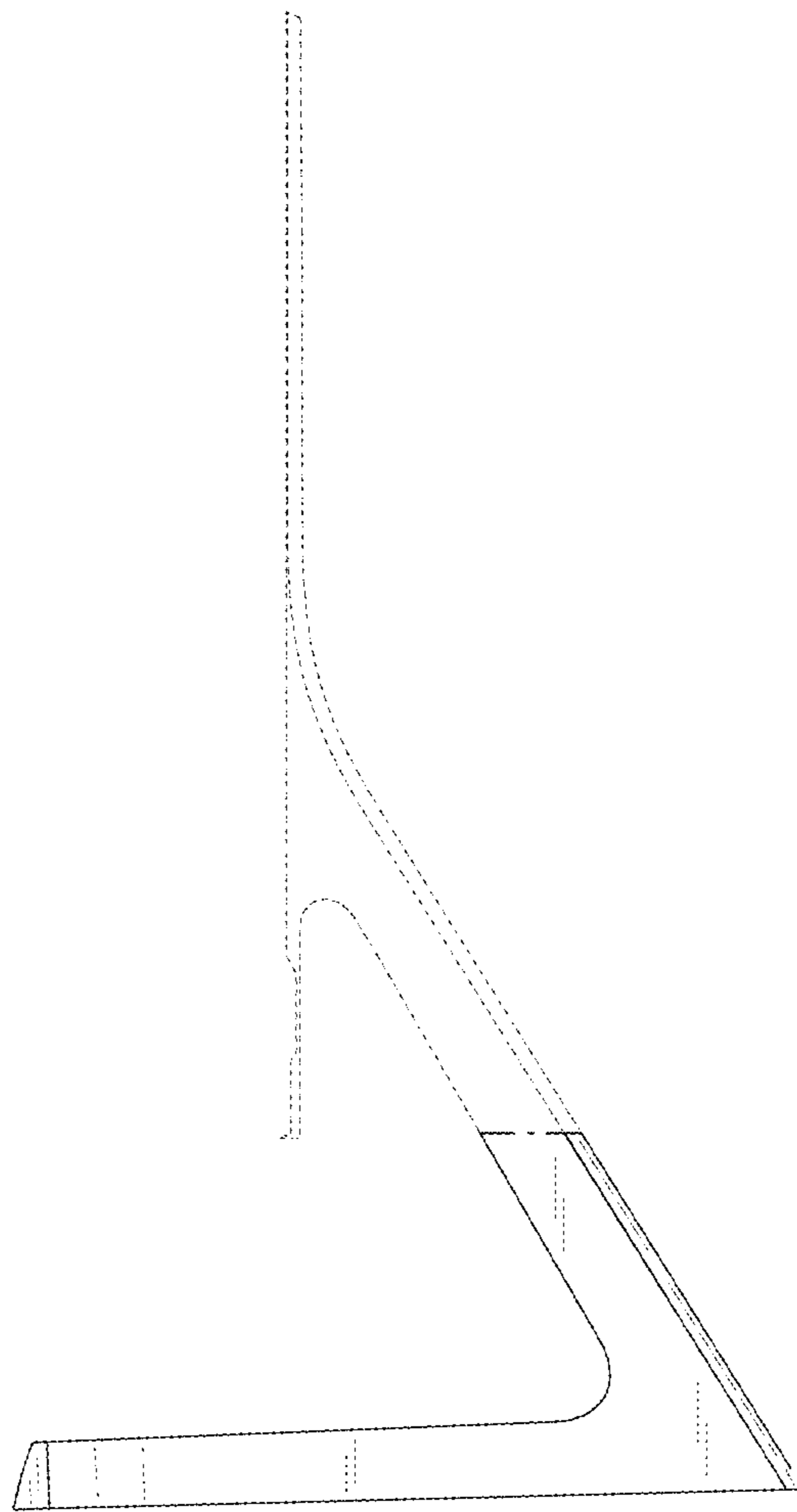


FIG. 16

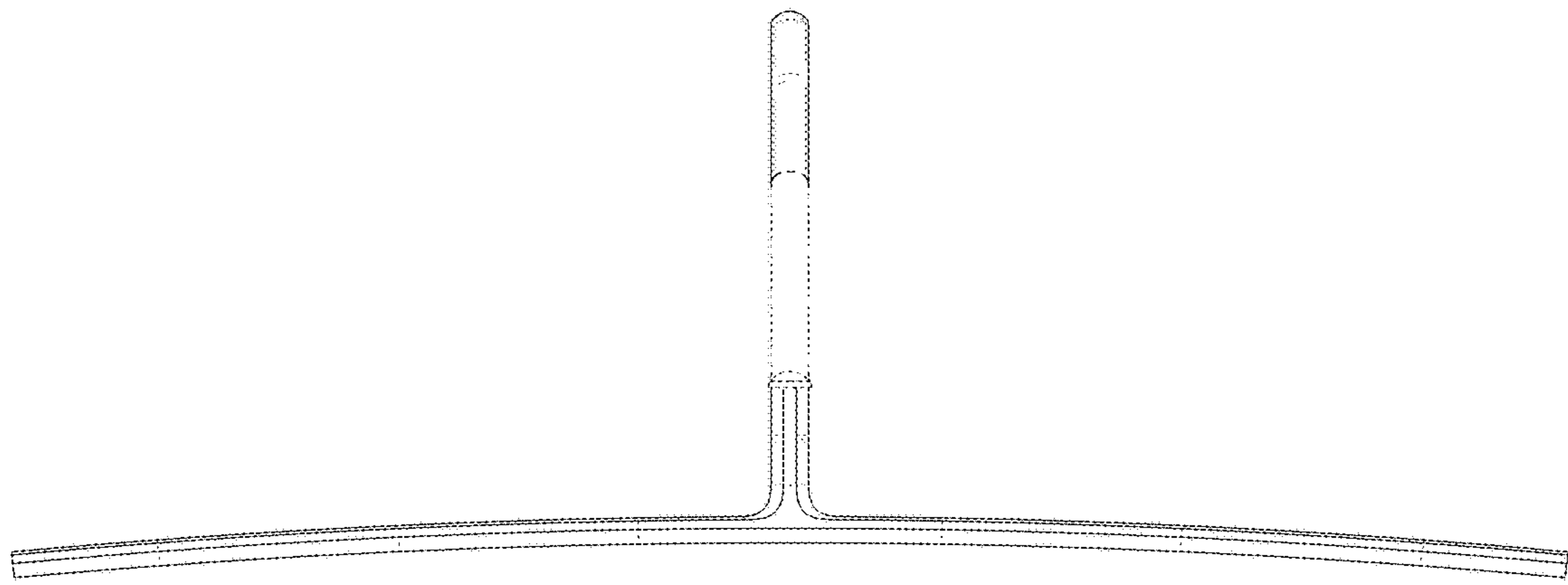




FIG. 17

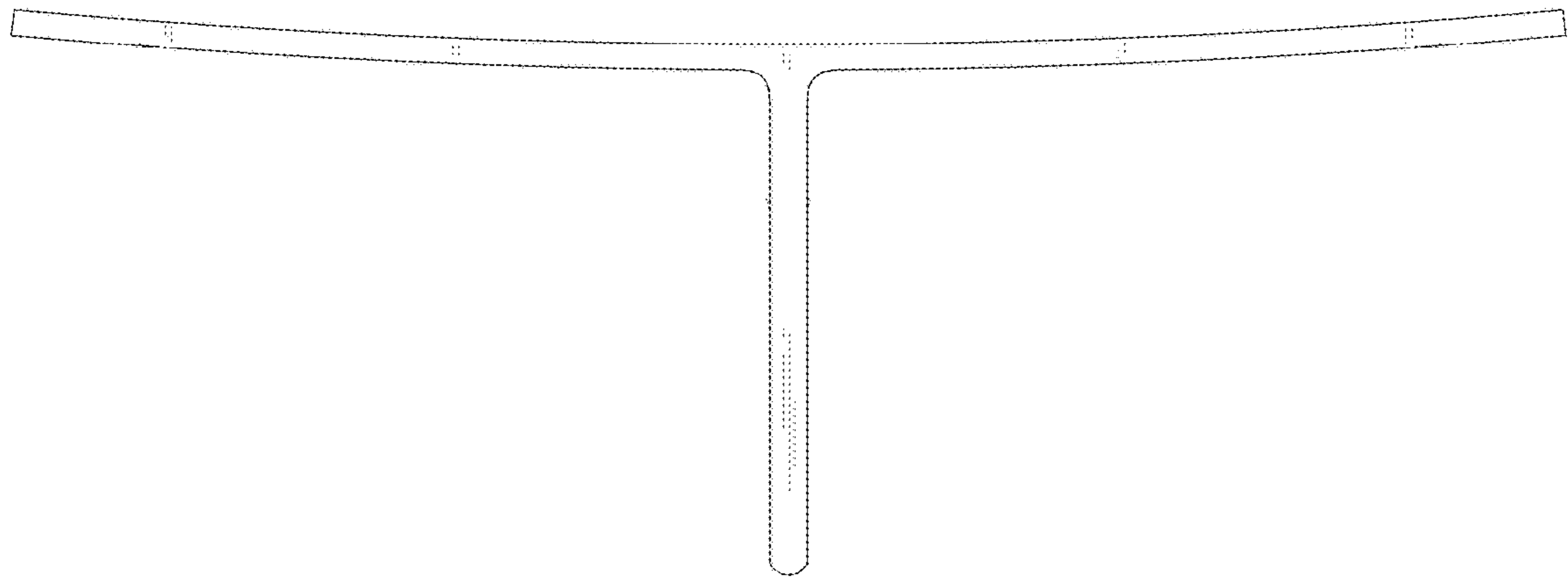


FIG. 18

