



US00D799454S

(12) **United States Design Patent** (10) **Patent No.:** **US D799,454 S**
Lin (45) **Date of Patent:** **** Oct. 10, 2017**

(54) **ANTENNA HOUSING**
(71) Applicant: **GRAND-TEK TECHNOLOGY CO., LTD.**, New Taipei (TW)
(72) Inventor: **Yu-Wei Lin**, New Taipei (TW)
(73) Assignee: **GRAND-TEK TECHNOLOGY CO., LTD.**, New Taipei (TW)
(**) Term: **15 Years**

D595,275 S *	6/2009	Skottke	D14/230
D595,699 S *	7/2009	Skottke	D14/230
D602,921 S *	10/2009	Skottke	D14/230
D603,375 S *	11/2009	Jeong	D14/218
D675,601 S *	2/2013	Huet	D14/230
D681,018 S *	4/2013	Hakamata	D14/230
D684,563 S *	6/2013	Meek	D14/230
D686,598 S *	7/2013	Yanagisawa	D14/230
D687,010 S *	7/2013	McManigal	D14/188
D703,638 S *	4/2014	Ueno	D14/230
D704,172 S *	5/2014	Kato	D14/230
D730,879 S *	6/2015	Kato	D14/230

(Continued)

(21) Appl. No.: **29/555,941**
(22) Filed: **Feb. 25, 2016**
(51) **LOC (10) Cl.** **14-03**
(52) **U.S. Cl.**
USPC **D14/230**
(58) **Field of Classification Search**
USPC D14/138, 230, 231, 232, 233, 234, 235,
D14/236, 237, 238, 238.1, 299, 358;
D13/175, 182
CPC G01R 29/10; G01S 2013/0245; G01S
2013/0254; G01S 2013/0263; G01S
7/4026; G05B 2219/45001; G06K
19/07773; G06K 19/07775; G06K
19/07777; G08B 13/2468; G08B 13/2477;
H01Q 1/088
See application file for complete search history.

OTHER PUBLICATIONS

<http://www.grand-tek.com/Download/PDF/GTT%20LTE%20M2M%20Antenna.pdf>—Retrieved on Jul. 18, 2017.*

(Continued)

Primary Examiner — Manpreet Matharu
Assistant Examiner — Mojtaba Tehrani
(74) *Attorney, Agent, or Firm* — Chun-Ming Shih; HDLS
IPR SERVICES

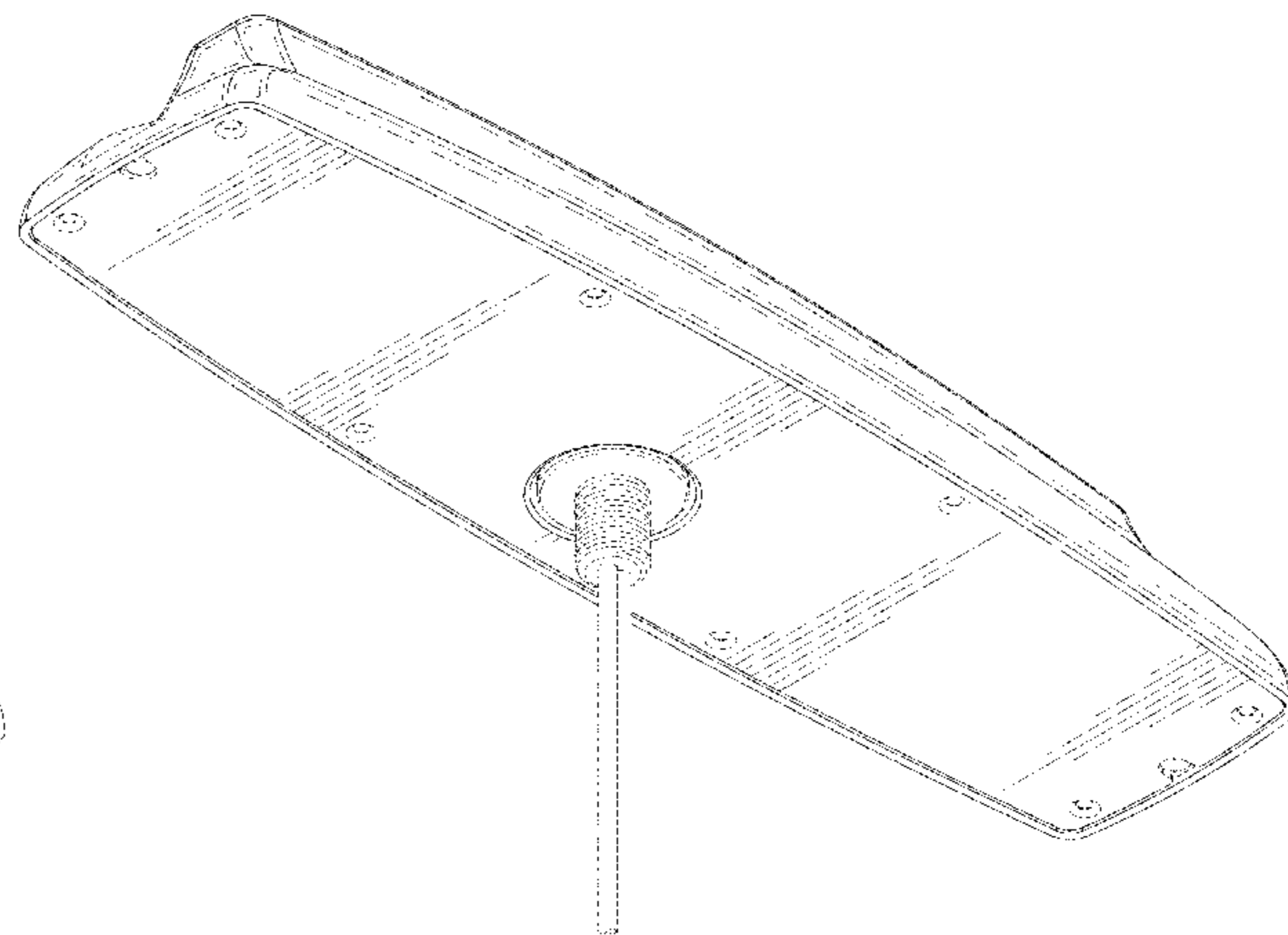
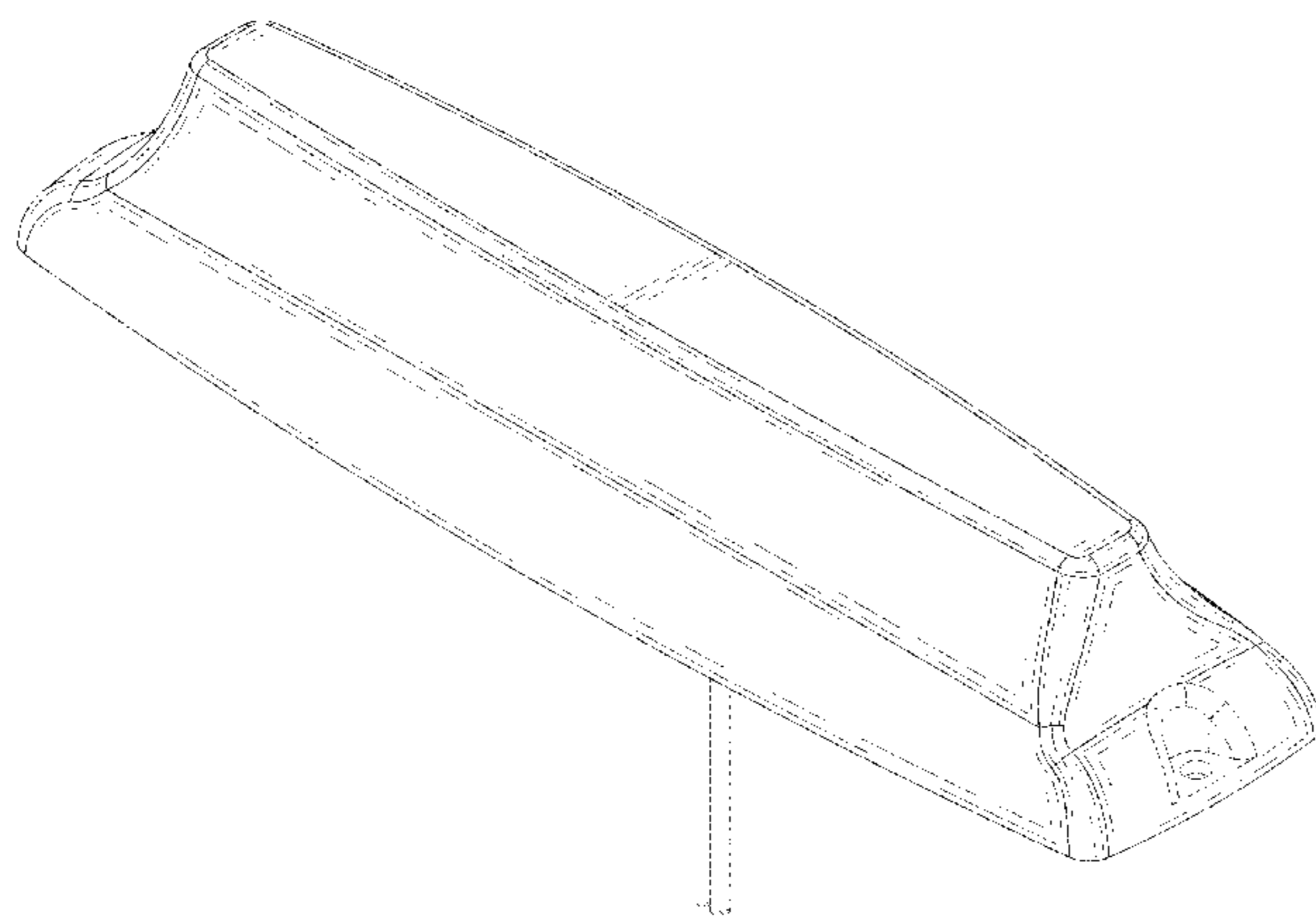
(57) **CLAIM**

The ornamental design for an antenna housing, as shown and described.

DESCRIPTION

FIG. 1 is a top perspective view of an antenna housing, showing my new design;
FIG. 2 is a front view thereof;
FIG. 3 is a rear view thereof;
FIG. 4 is a left side view thereof;
FIG. 5 is a right side view thereof;
FIG. 6 is a top view thereof;
FIG. 7 is a bottom view thereof; and,
FIG. 8 is a bottom perspective view thereof.
The broken lines shown represent unclaimed subject matter and form no part of the claimed design.

1 Claim, 7 Drawing Sheets



(56)

References Cited

U.S. PATENT DOCUMENTS

D748,611 S * 2/2016 Sato D14/230
2007/0279304 A1 * 12/2007 Chakam H01Q 1/088
343/713

OTHER PUBLICATIONS

<http://www.grand-tek.com/Download/PDF/Licensed%20ISM%20Band%20Antenne%20Range.pdf>—Retrieved on Jul. 18, 2017.*

<http://www.grand-tek.com/Download/PDF/M2M%20Antenna%20Selection.pdf>—Retrieved on Jul. 18, 2017.*

<http://blog.wandr.me/2013/08/you-really-dont-want-the-tv-antenna-to-break-in-flight/>—Published Aug. 2, 2013.*

Office Action dated Apr. 18, 2016 of the corresponding Taiwan Design application.

* cited by examiner

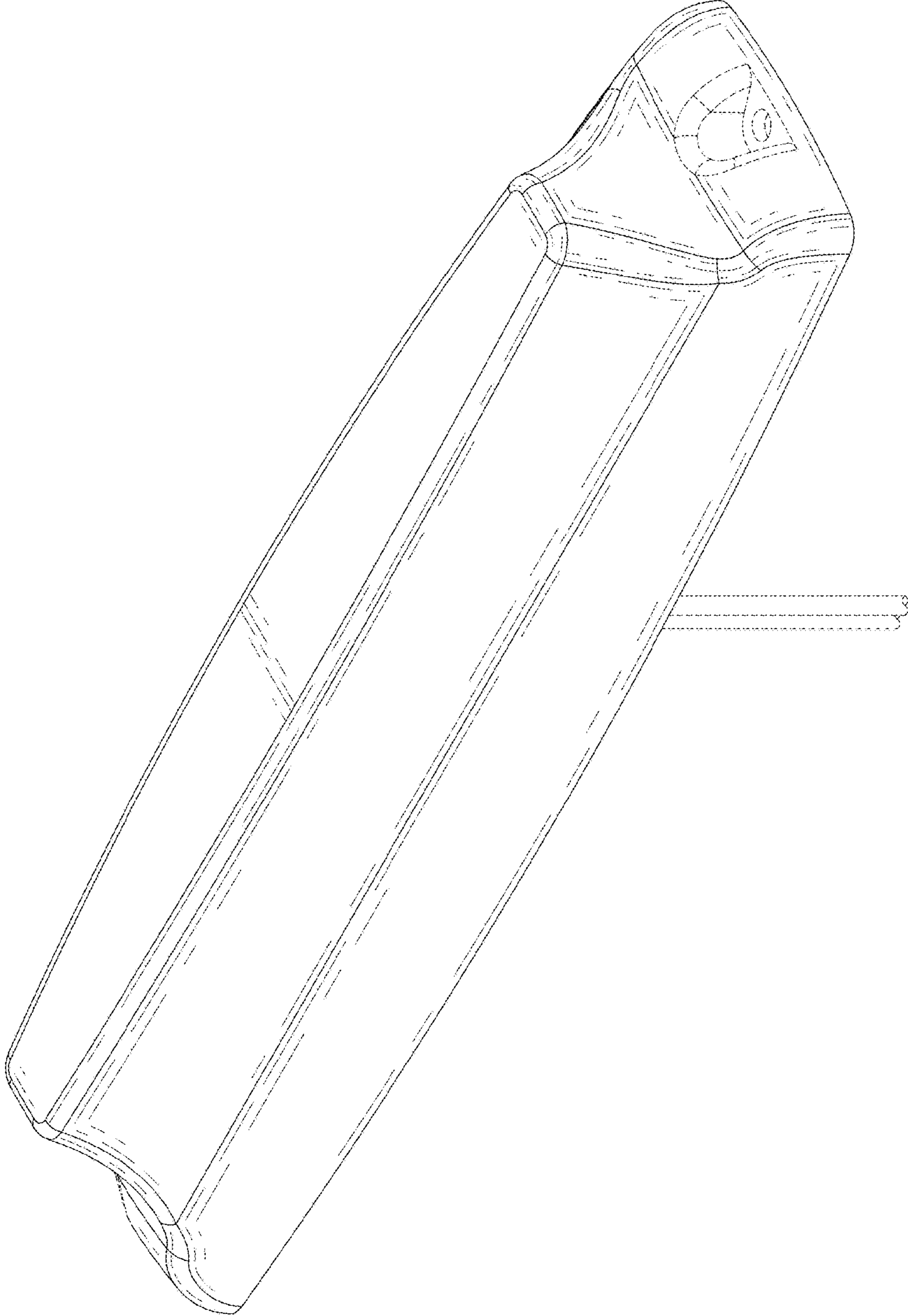


FIG.1

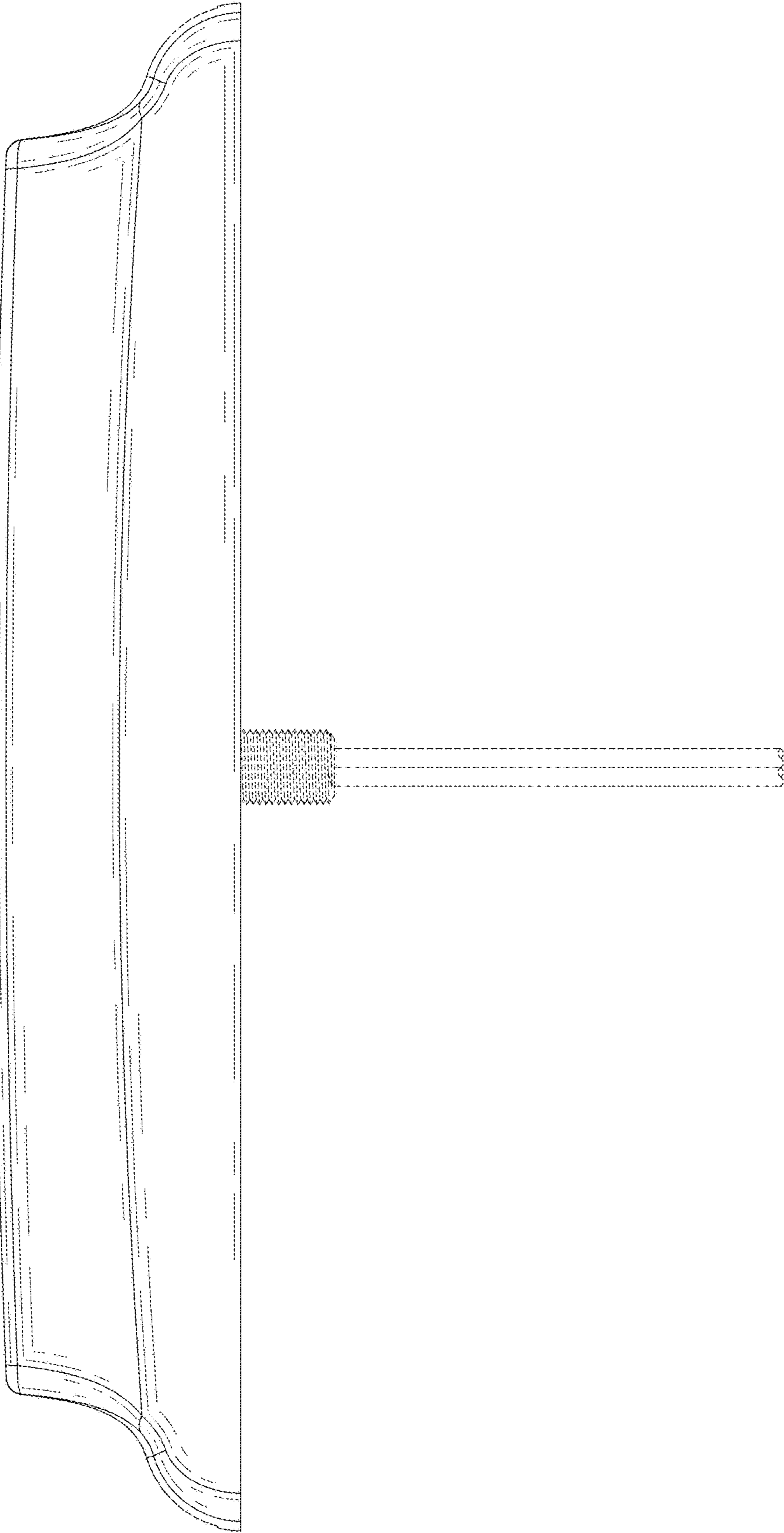


FIG.2

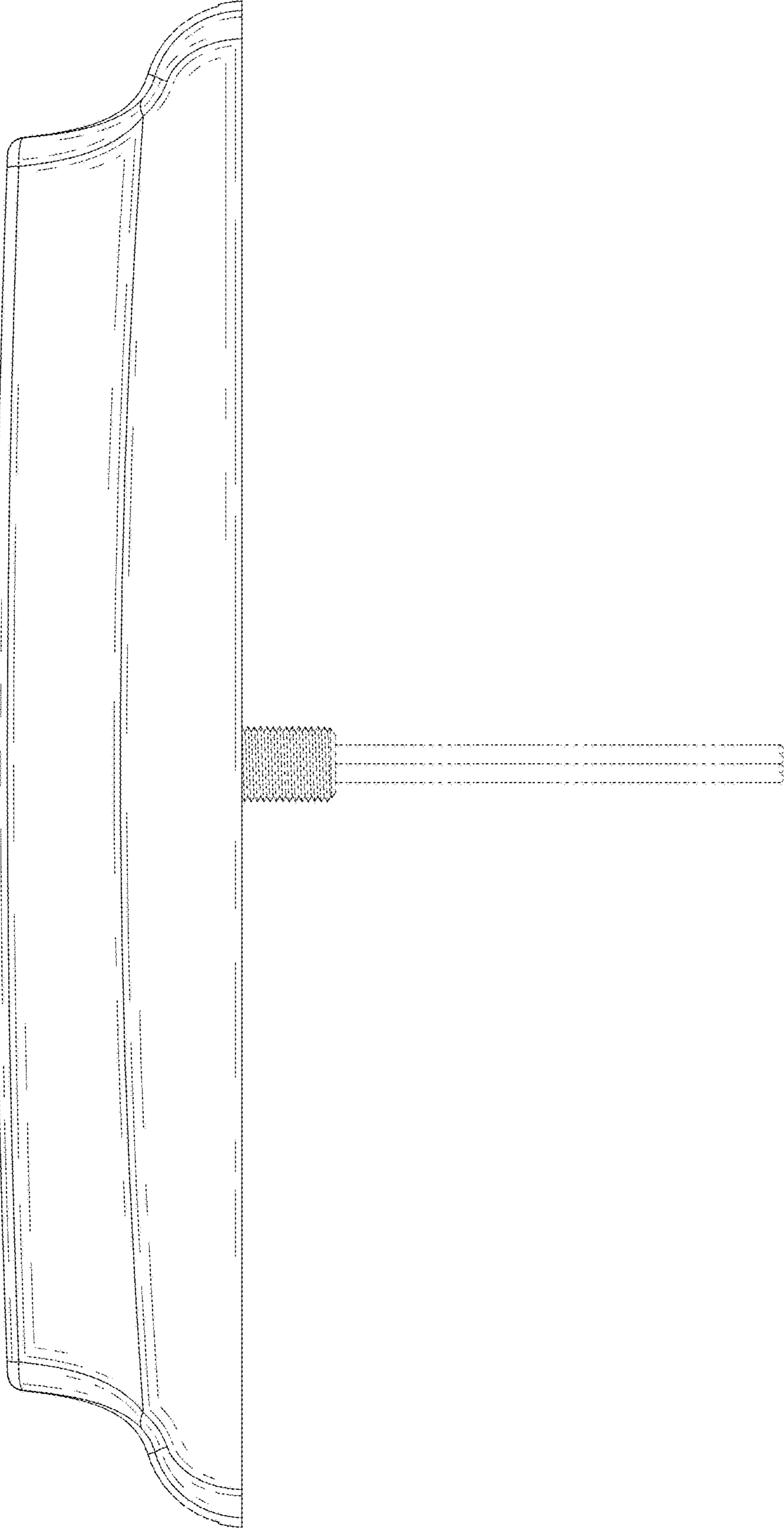


FIG.3

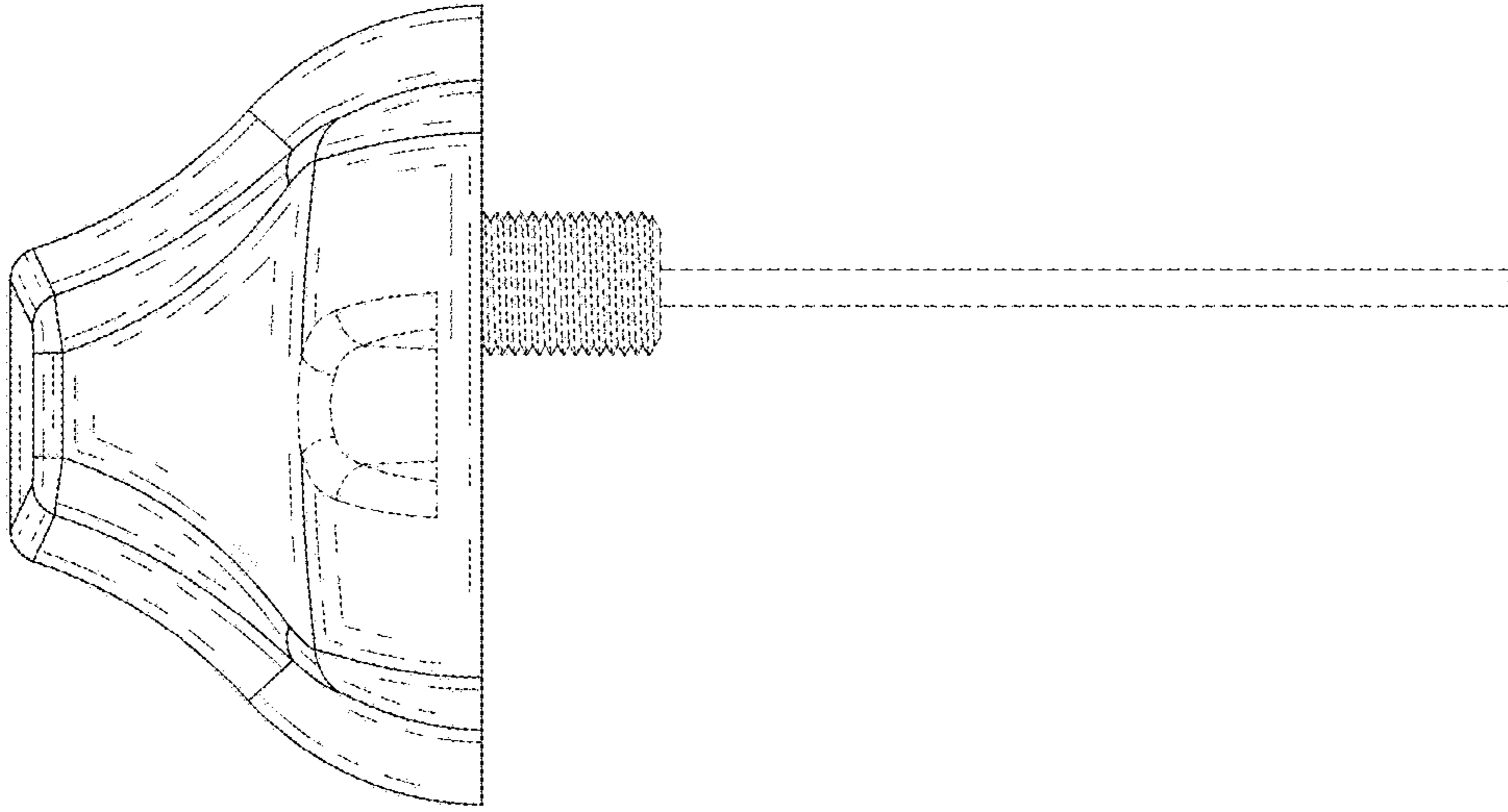


FIG.5

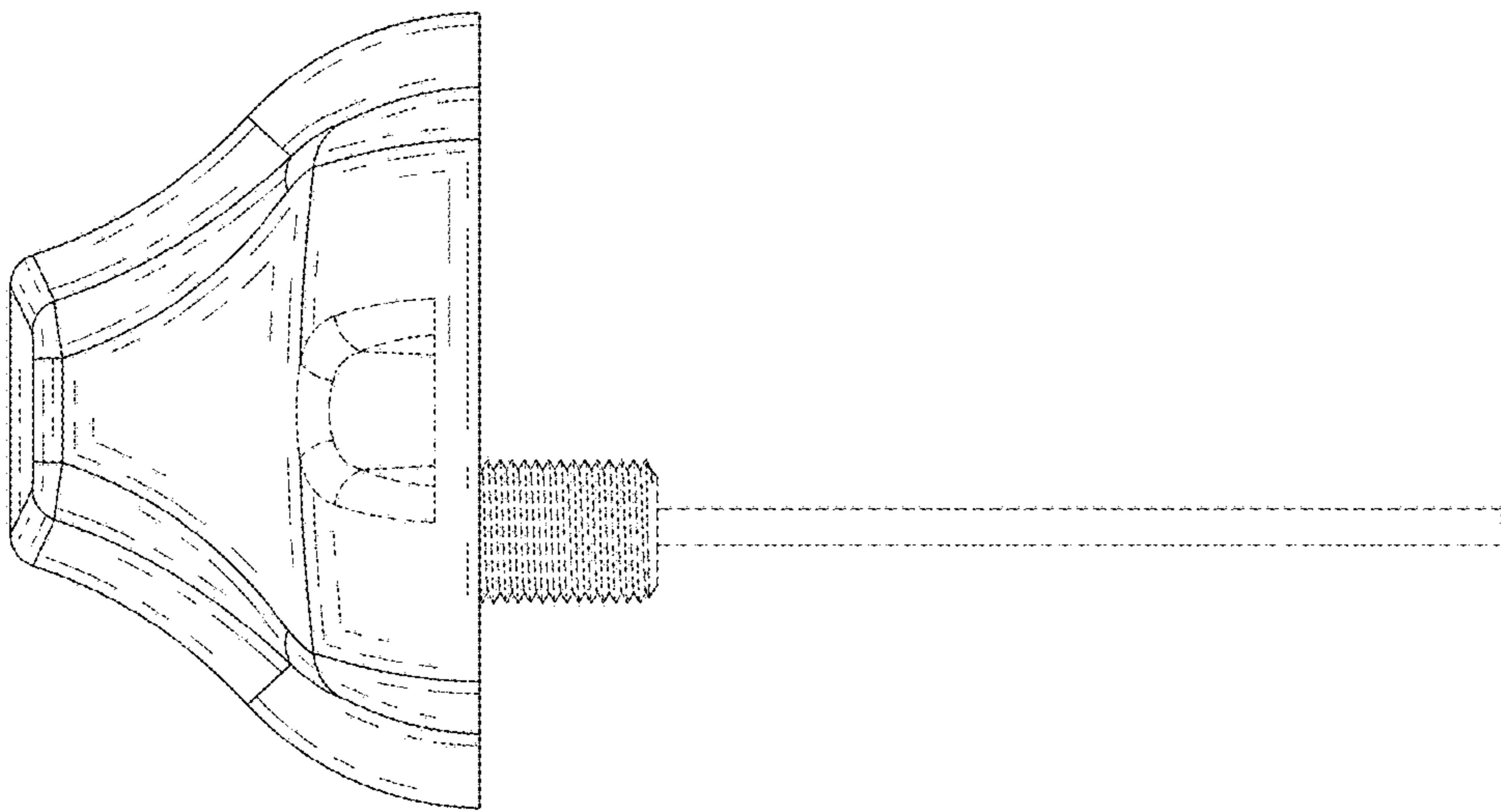


FIG.4

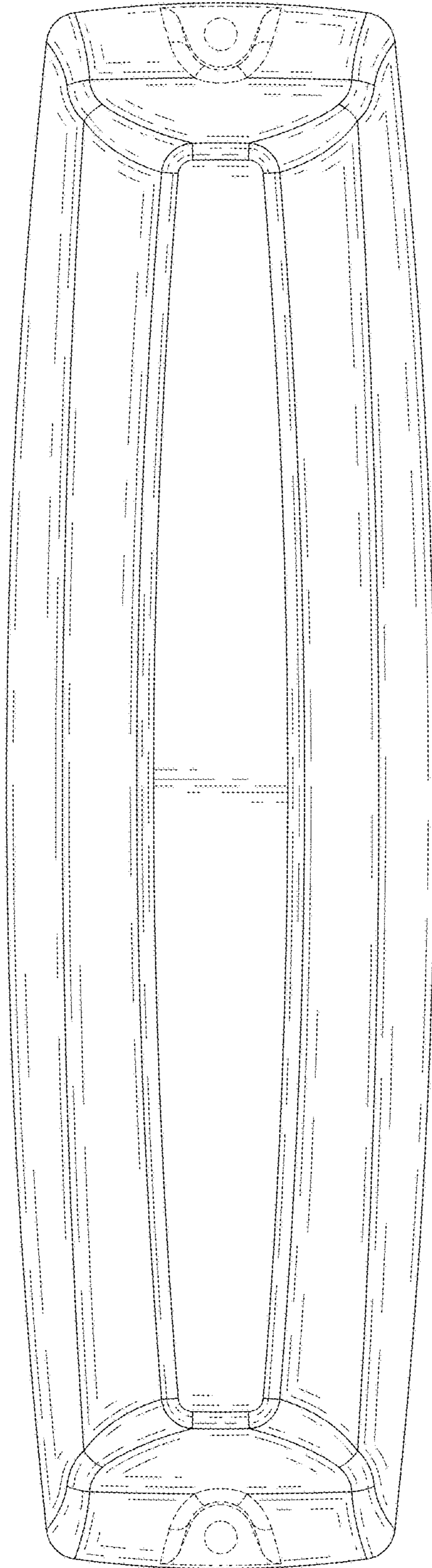


FIG.6

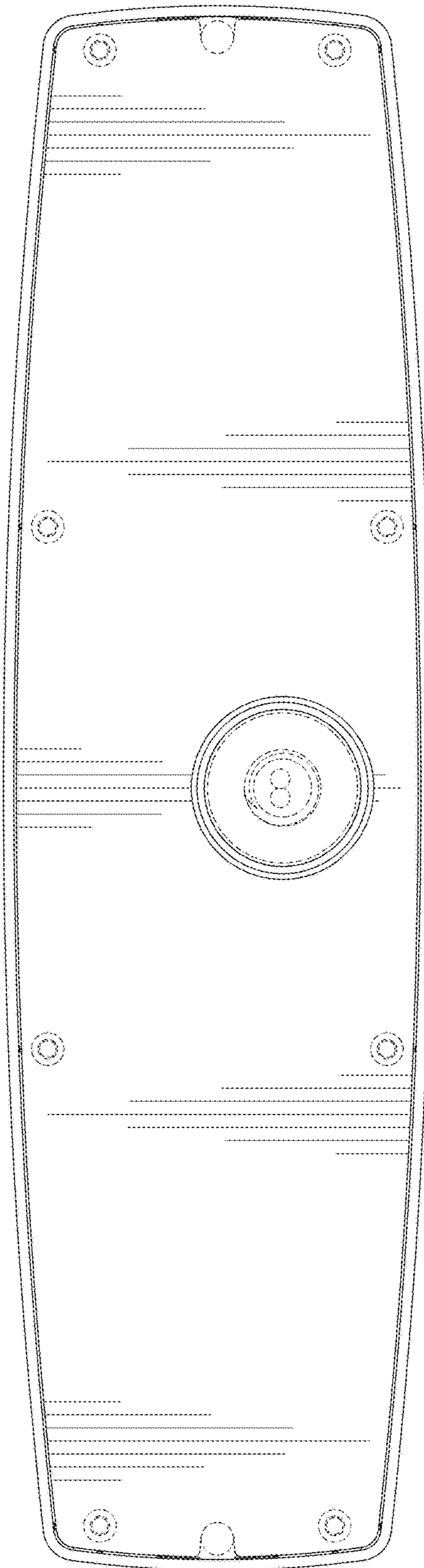


FIG.7

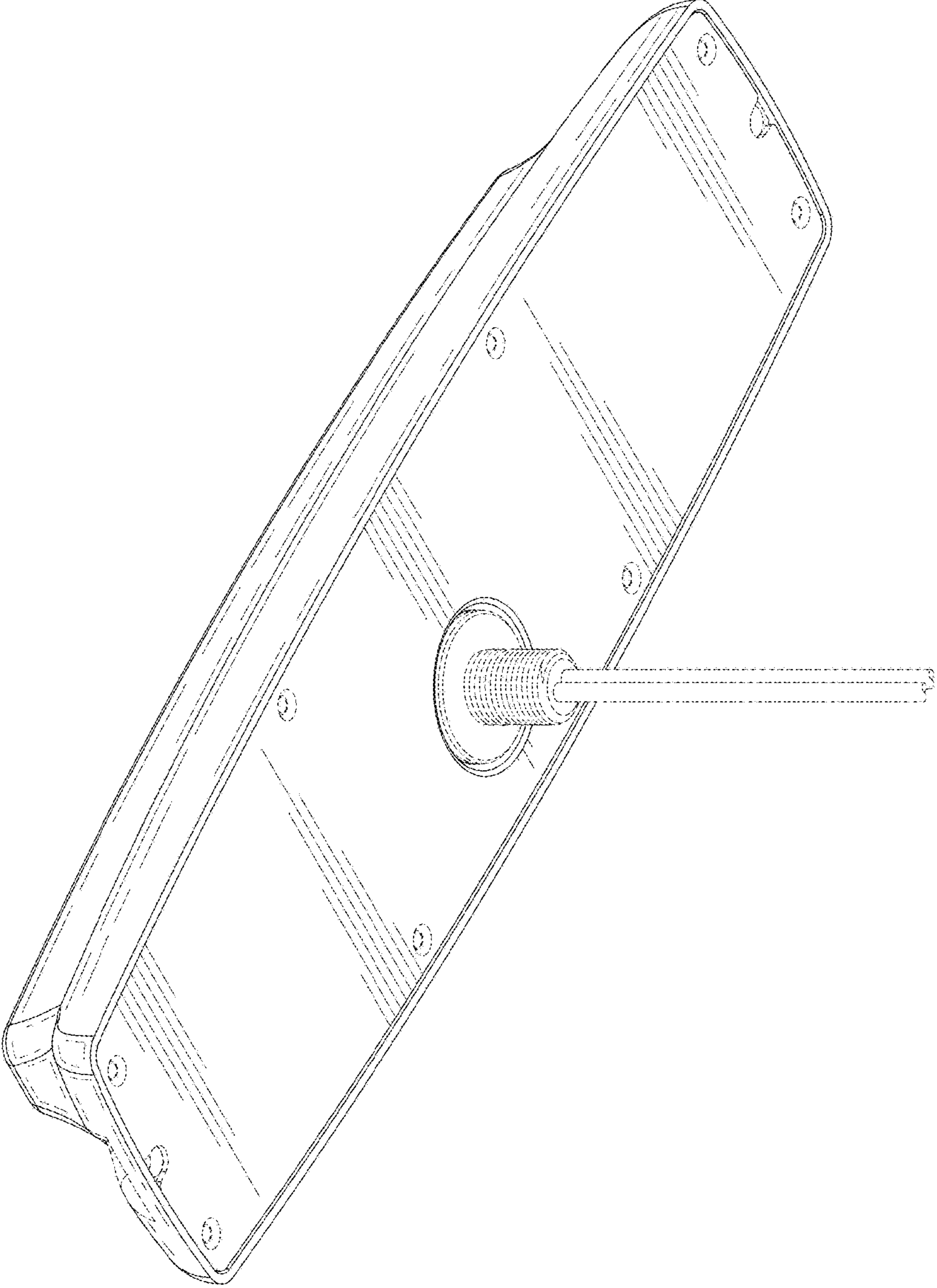


FIG.8