



US00D799452S

(12) **United States Design Patent** (10) **Patent No.:** **US D799,452 S**  
**Lee** (45) **Date of Patent:** **\*\* Oct. 10, 2017**

(54) **EARPHONE**  
(71) Applicant: **GN Netcom A/S**, Ballerup (DK)  
(72) Inventor: **Chang Ho Lee**, Ballerup (DK)  
(73) Assignee: **GN Netcom A/S** (DK)  
(\*\*) Term: **15 Years**  
(21) Appl. No.: **29/571,158**  
(22) Filed: **Jul. 14, 2016**

6,101,260 A \* 8/2000 Jensen ..... H04M 1/05  
379/430  
D477,822 S 7/2003 Komiyama  
D482,022 S \* 11/2003 Nakano ..... D14/223  
7,146,004 B2 \* 12/2006 Bodley ..... H04M 1/05  
379/430  
D538,270 S \* 3/2007 Kim ..... D14/223  
D584,283 S 1/2009 Soetejo  
D584,293 S 1/2009 Kim et al.  
D594,443 S 6/2009 Lee  
D606,971 S 12/2009 Christopher et al.  
7,708,110 B2 5/2010 Leong et al.  
D624,529 S 9/2010 Huang  
D631,470 S 1/2011 Yoneyama et al.  
(Continued)

**Related U.S. Application Data**

(62) Division of application No. 29/502,297, filed on Sep. 14, 2014, now Pat. No. Des. 787,477.

*Primary Examiner* — Paula Allen Greene

(74) *Attorney, Agent, or Firm* — Altera Law Group, LLC

**Foreign Application Priority Data**

Jun. 13, 2014 (EM) ..... 002481929-0001  
Jun. 13, 2014 (EM) ..... 002481929-0002

(57) **CLAIM**

The ornamental design for an earphone, as shown and described.

(51) **LOC (10) Cl.** ..... **14-01**  
(52) **U.S. Cl.**  
USPC ..... **D14/223**

**DESCRIPTION**

(58) **Field of Classification Search**  
USPC ..... D14/223, 205, 188, 192; D24/174, 175;  
181/129, 130, 135; 379/430, 431;  
381/380, 381, 388, 333, 301, 182, 188,  
381/74; 455/90.3, 575.1, 569.1  
CPC ..... H04R 1/10; H04R 5/00; H04R 25/00;  
H04R 1/1016; H04R 1/1066; H04B 1/38  
See application file for complete search history.

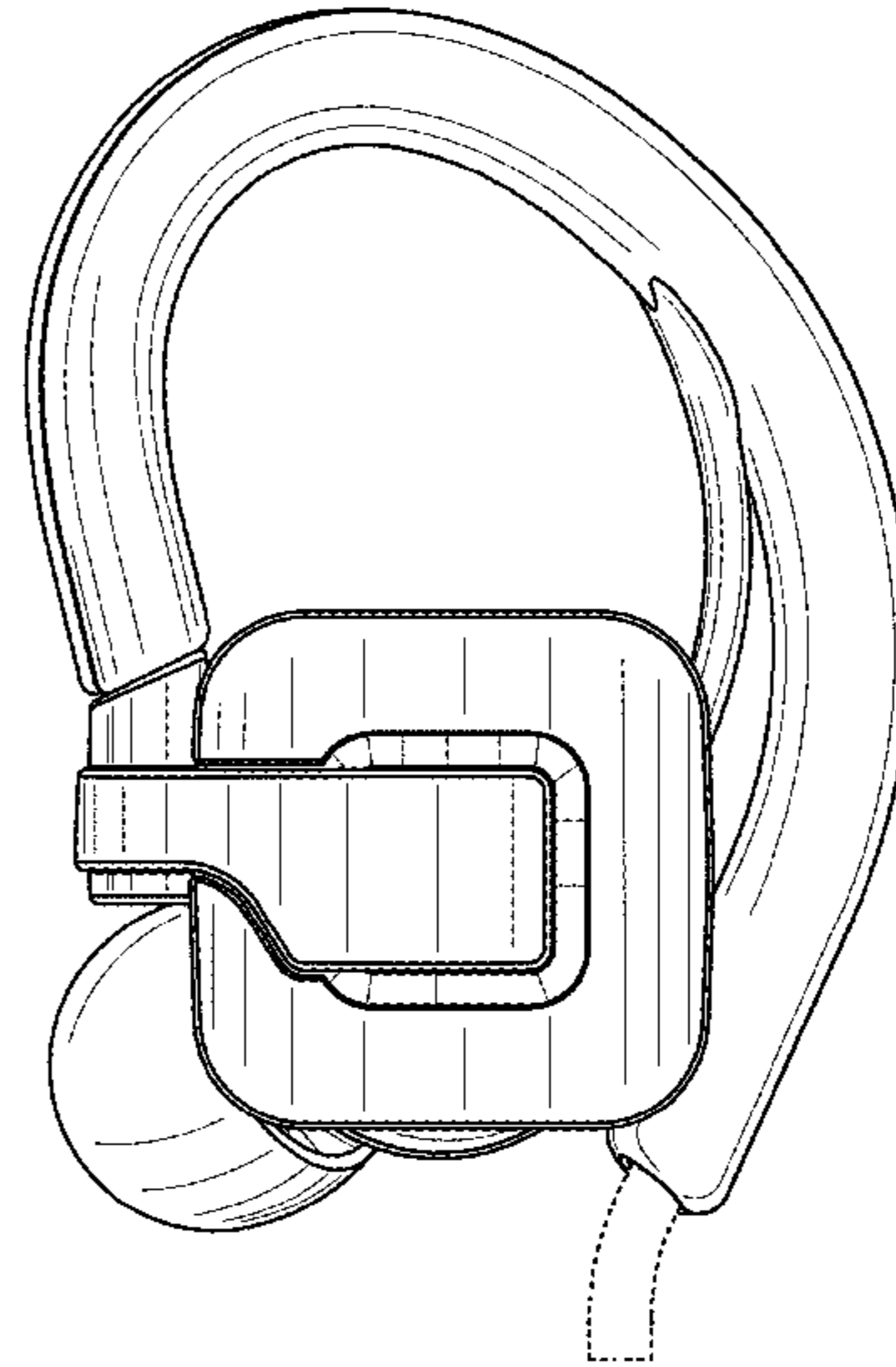
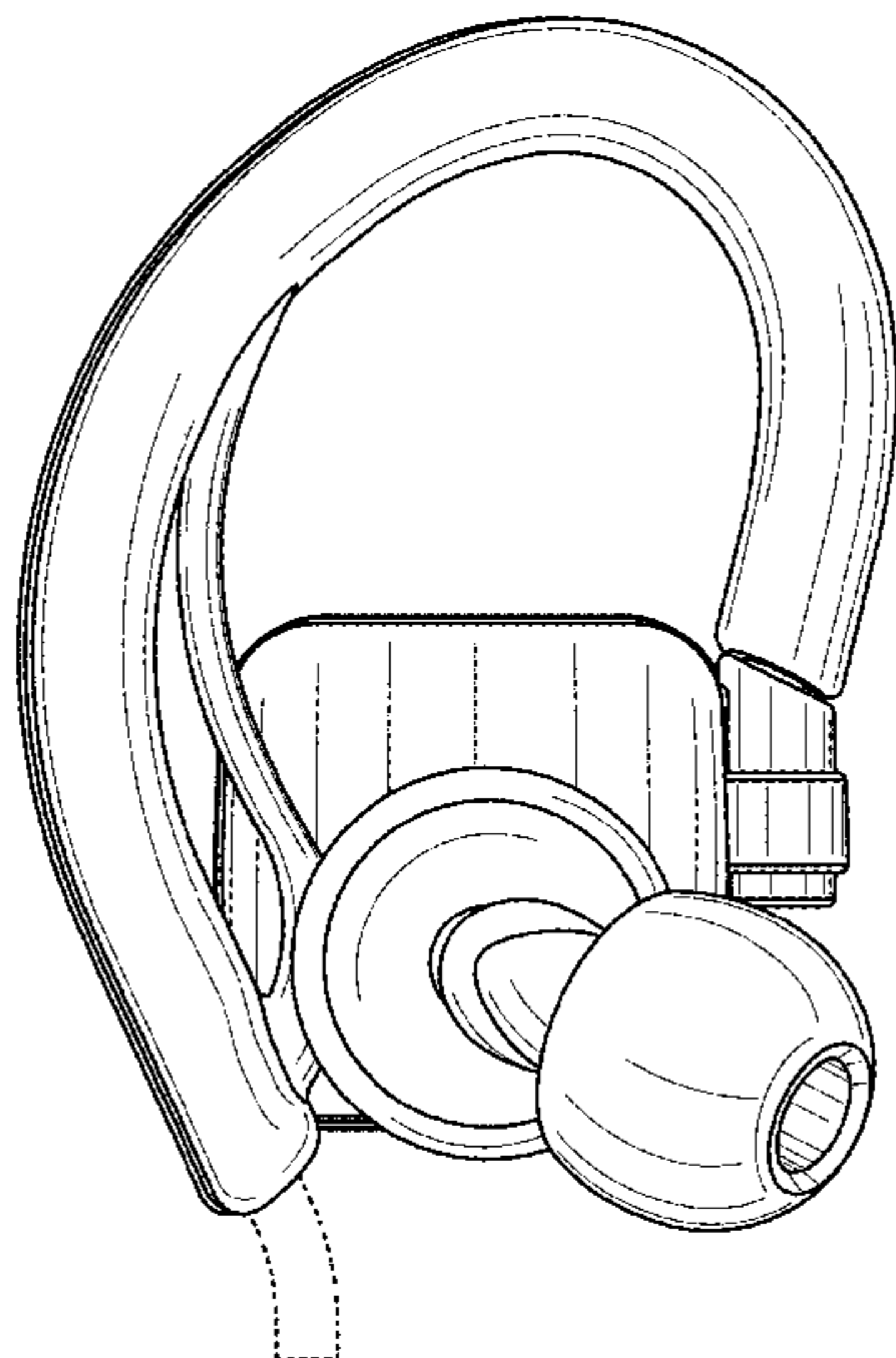
FIG. 1 is a perspective view of the earphone.  
FIG. 2 is a front view thereof.  
FIG. 3 is a back view thereof.  
FIG. 4 is a side view thereof.  
FIG. 5 is the other side view thereof.  
FIG. 6 is a top view thereof.  
FIG. 7 is a bottom view thereof.  
FIG. 8 is another perspective view of the earphone.  
FIG. 9 is a front view thereof.  
FIG. 10 is a back view thereof.  
FIG. 11 is a side view thereof.  
FIG. 12 is the other side view thereof.  
FIG. 13 is a top view thereof; and,  
FIG. 14 is a bottom view thereof.  
The features shown in broken lines depict environmental subject matter only and form no part of the claimed design.

(56) **References Cited**

**U.S. PATENT DOCUMENTS**

2,474,135 A \* 6/1949 White ..... H04R 25/656  
381/330  
4,897,873 A \* 1/1990 Beutler ..... H04M 1/0216  
16/292

**1 Claim, 8 Drawing Sheets**



(56)

**References Cited**

U.S. PATENT DOCUMENTS

D637,182 S	5/2011	Lee et al.	
D643,418 S	8/2011	Lee et al.	
D664,951 S	8/2012	Ang et al.	
D670,275 S	11/2012	Tompkin et al.	
D676,026 S	2/2013	Lee et al.	
D691,580 S	10/2013	Cho	
D700,905 S	3/2014	Pavitsich	
D710,333 S *	8/2014	Davies .....	H04R 1/10 D14/223
D710,335 S *	8/2014	Yang .....	D14/223
D711,356 S	8/2014	Yang	
D711,858 S	8/2014	Yang	
D712,382 S	9/2014	Brunner et al.	
D779,461 S *	2/2017	Smith .....	D14/223
D787,477 S *	5/2017	Lee .....	D14/223
2009/0041288 A1 *	2/2009	Liu .....	H04R 1/1066 381/381

\* cited by examiner

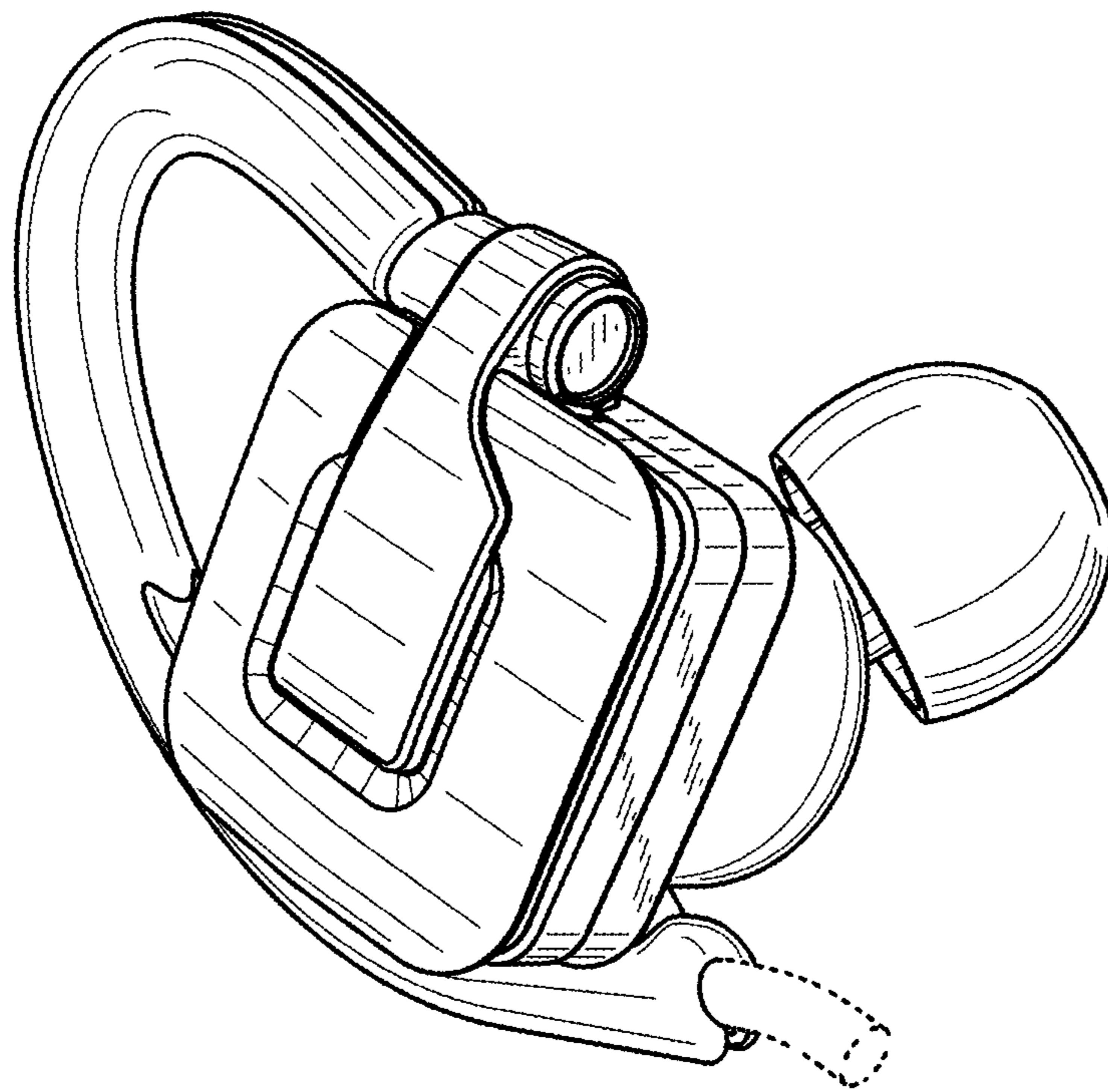


FIG. 1

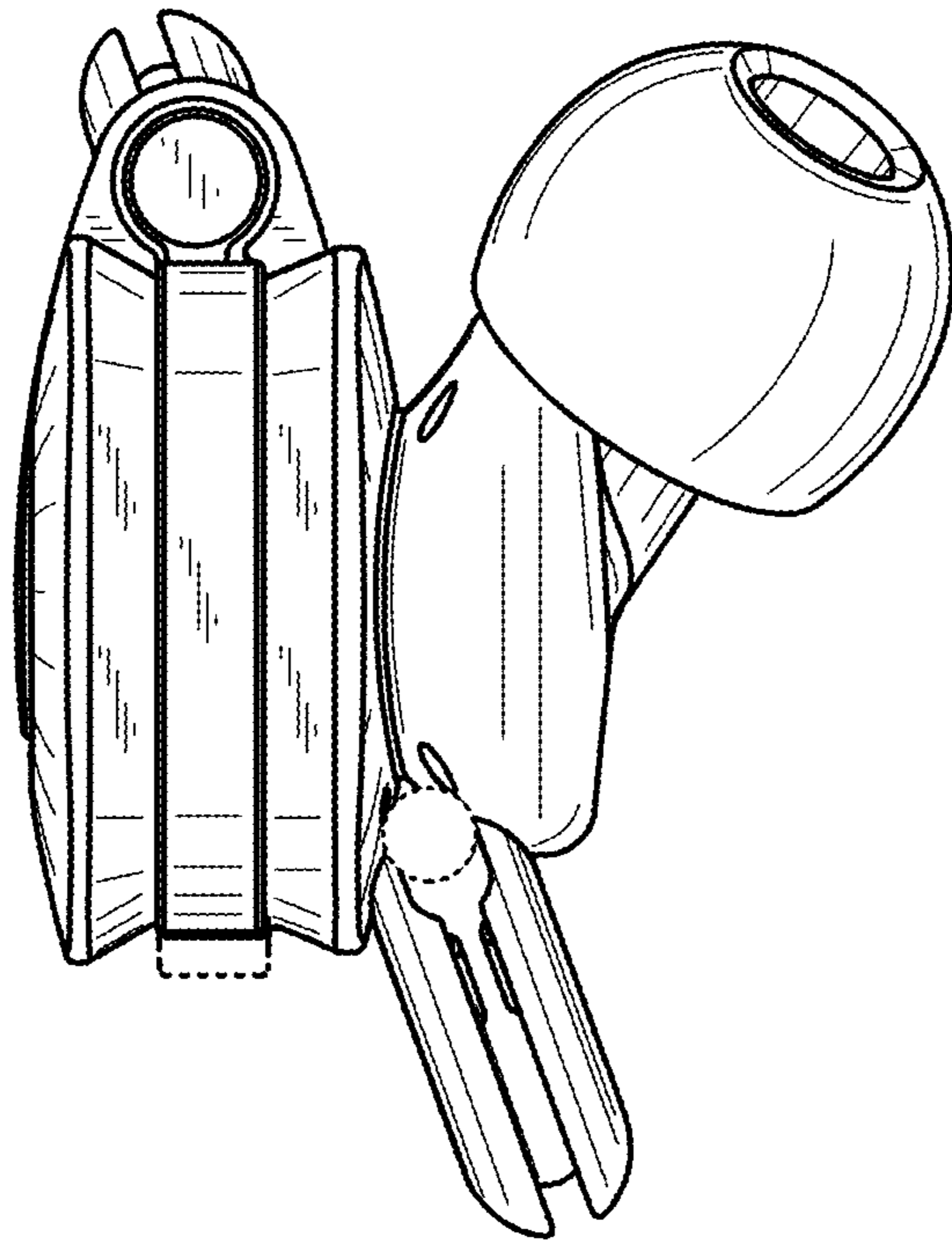


FIG. 3

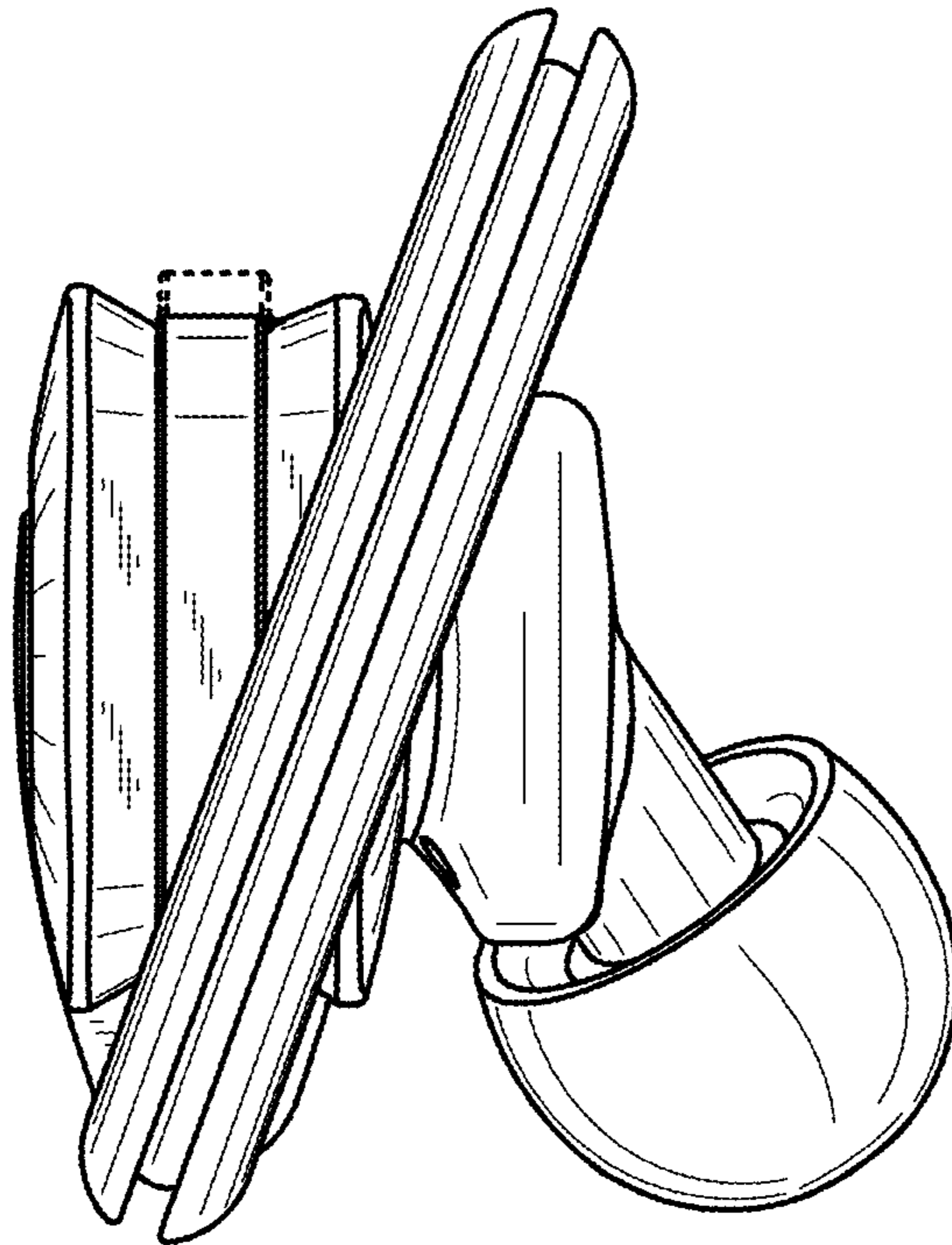


FIG. 2

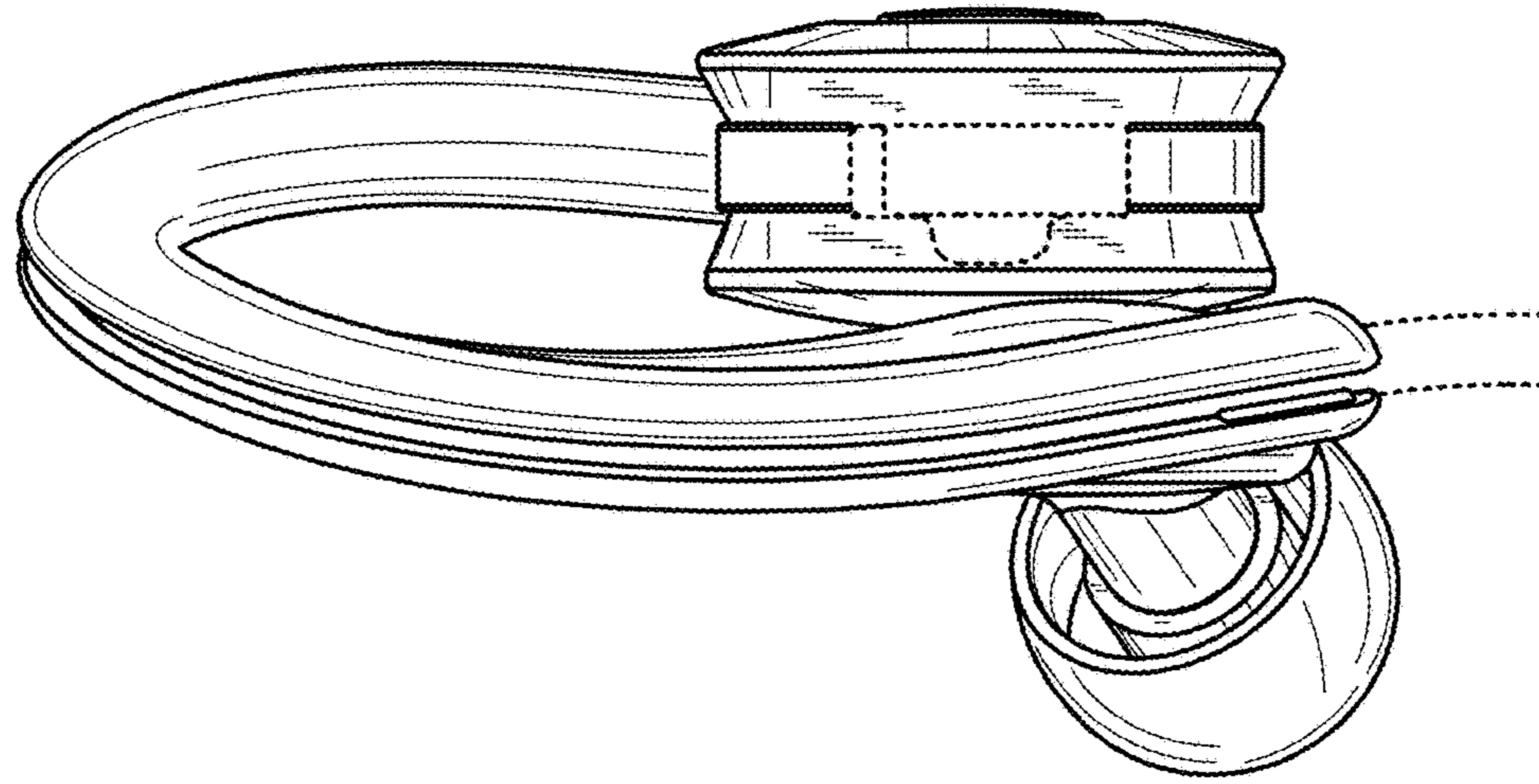


FIG. 5

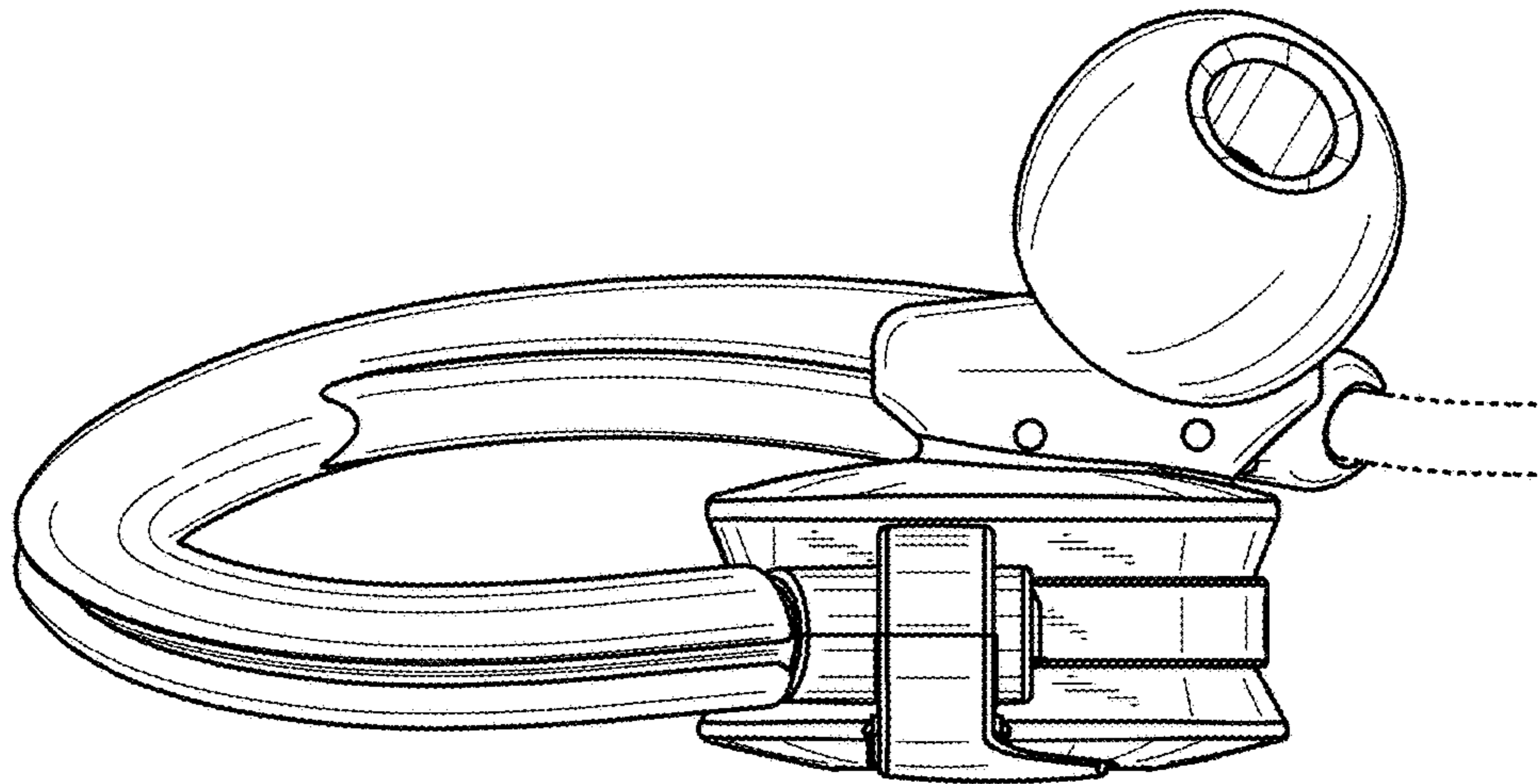


FIG. 4

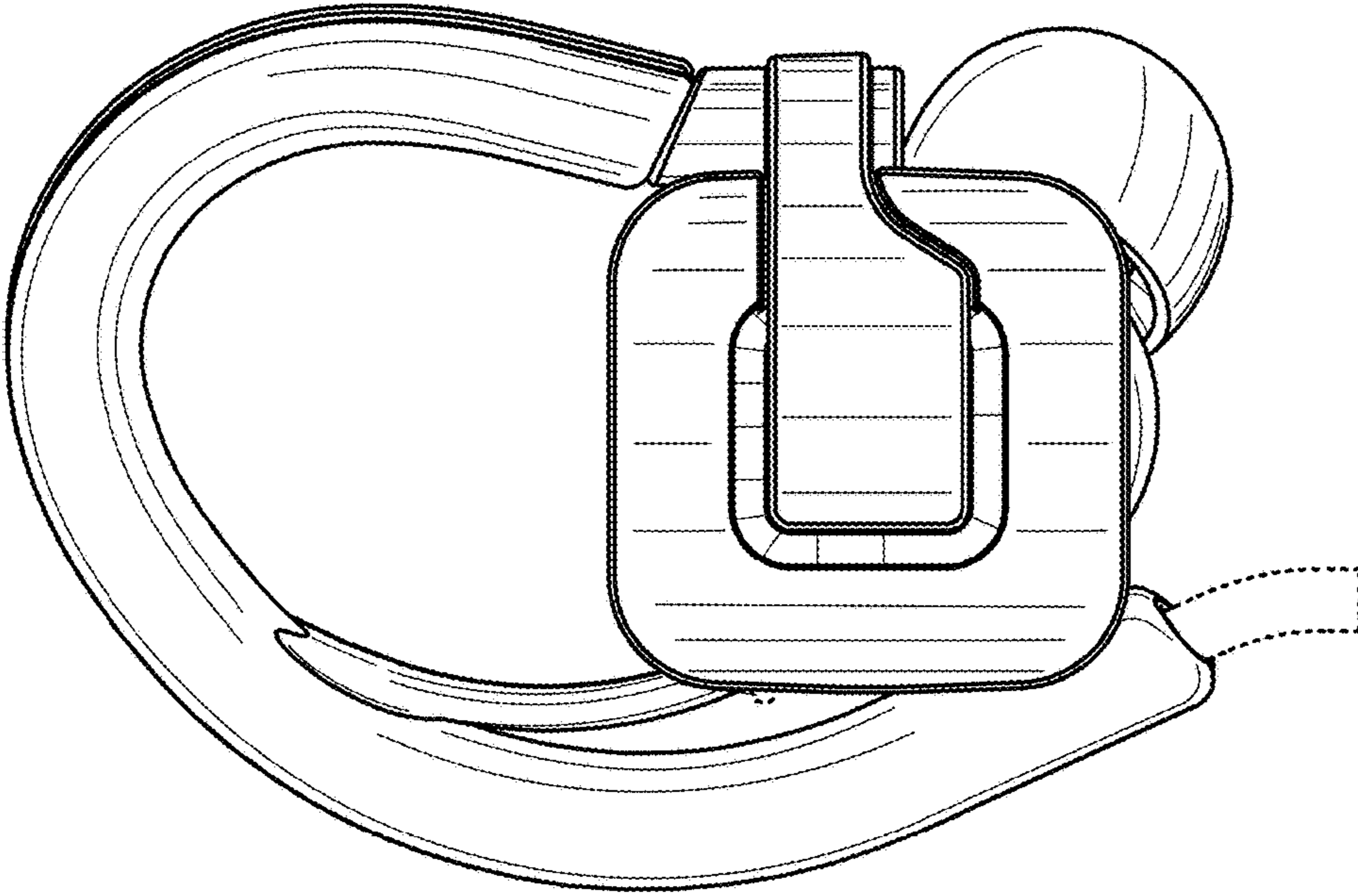


FIG. 7

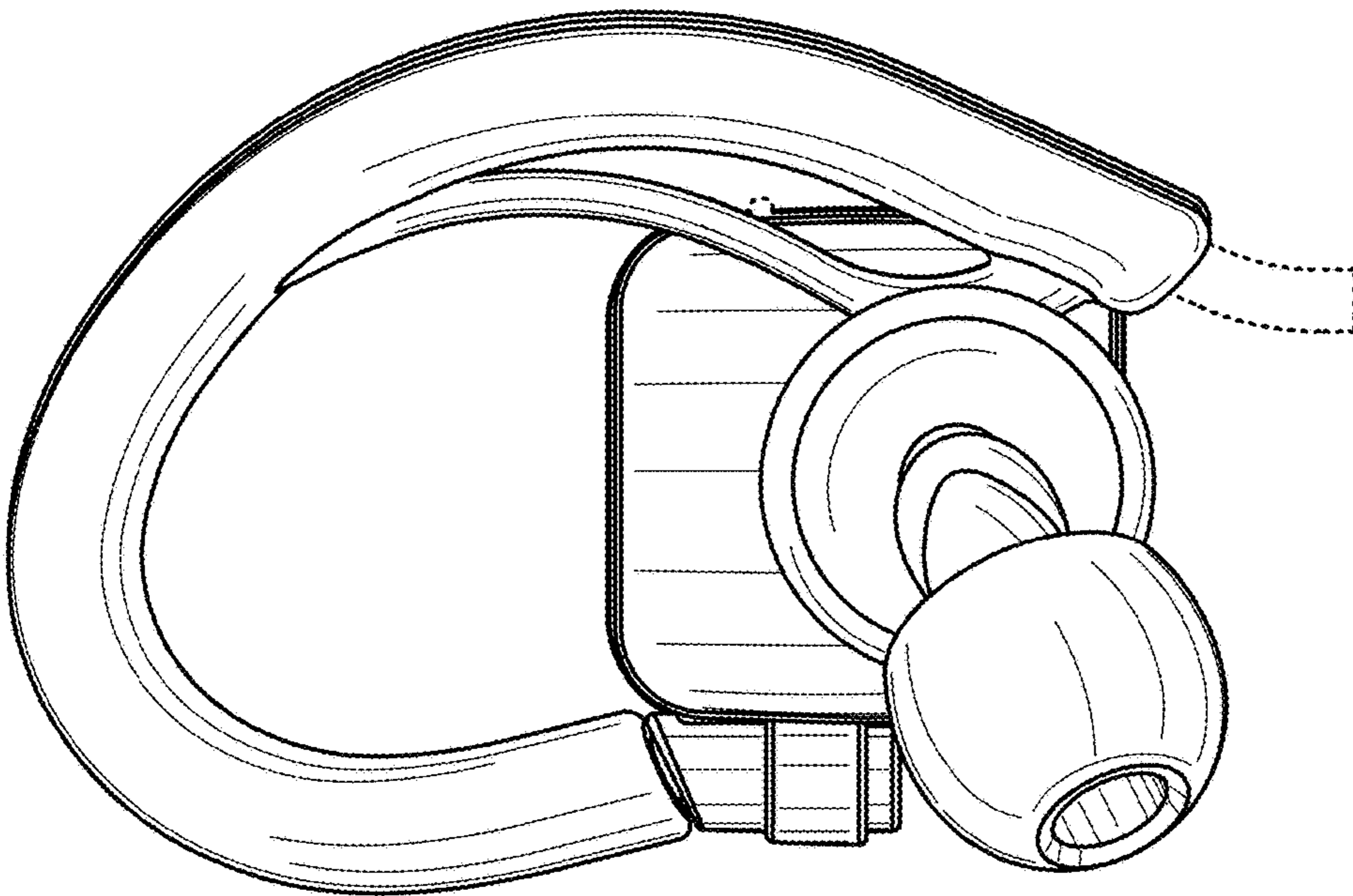


FIG. 6

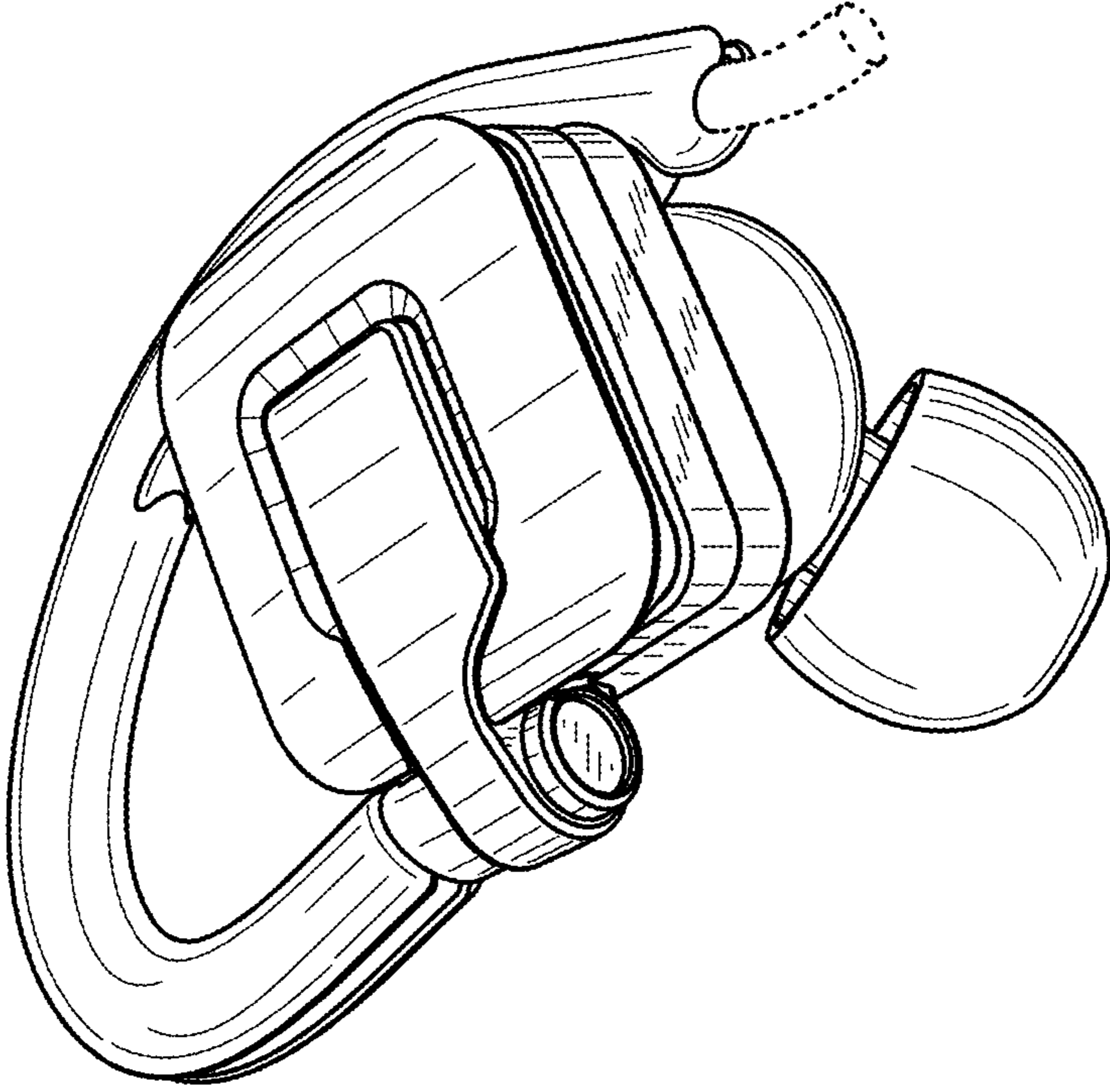


FIG. 8

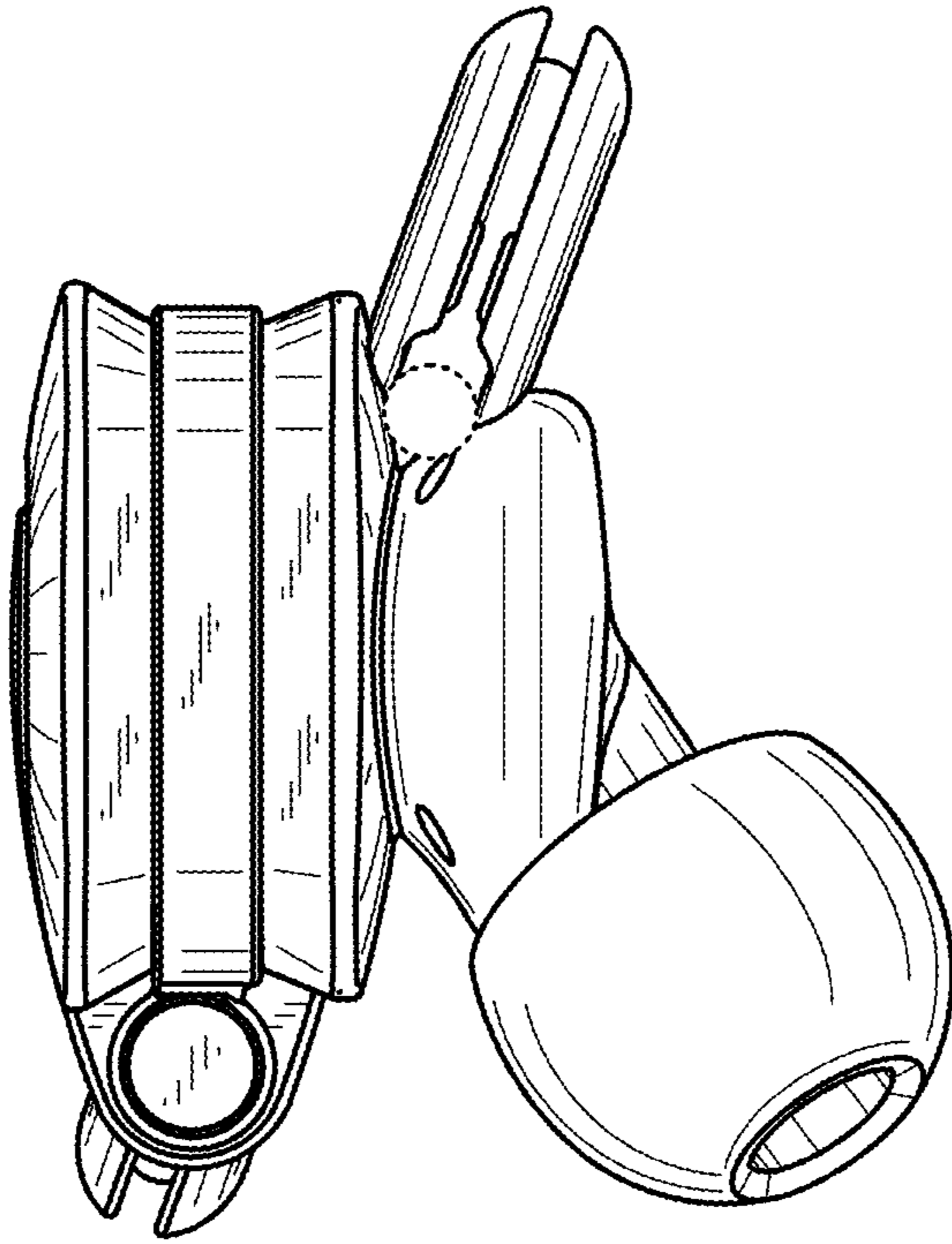


FIG. 10

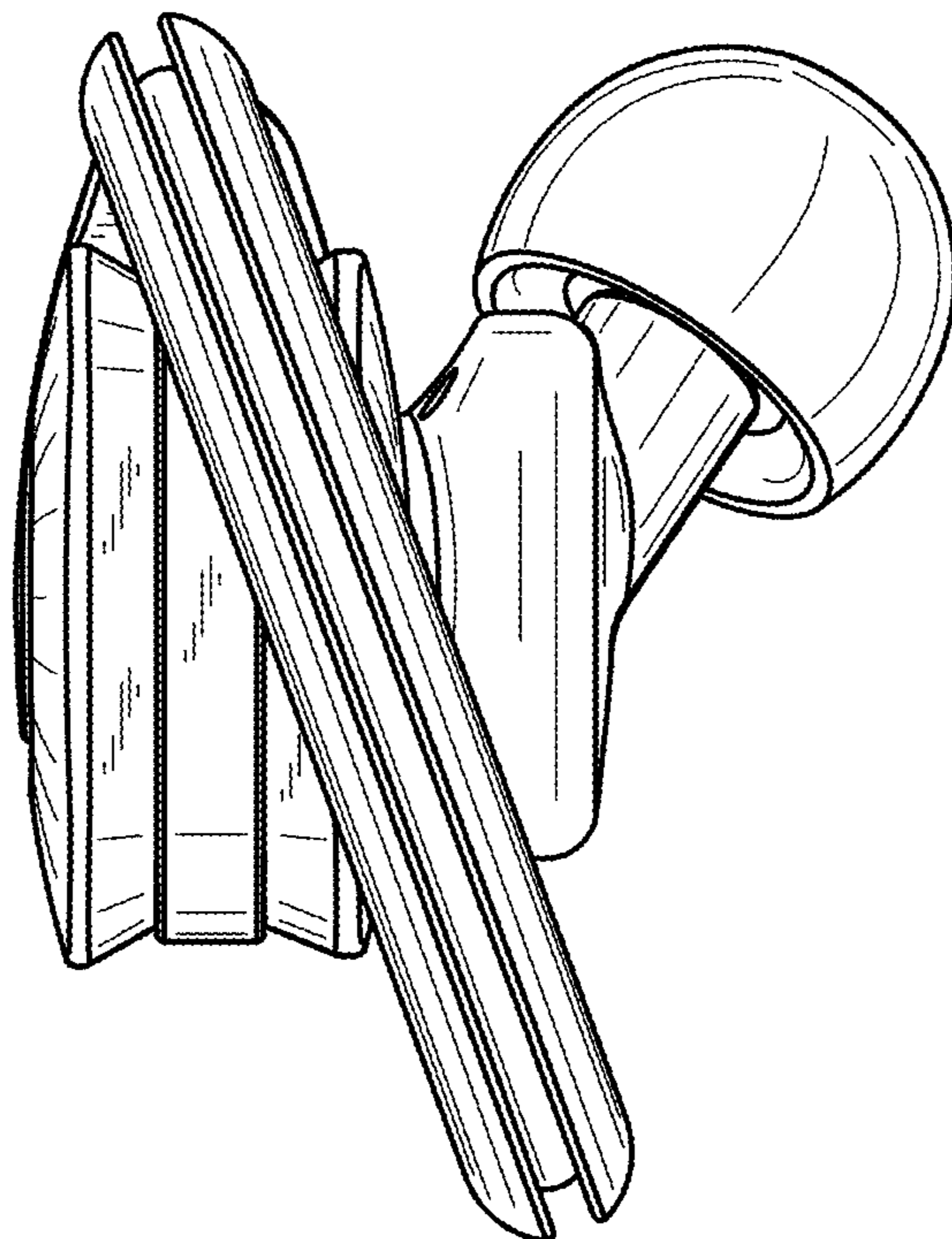


FIG. 9



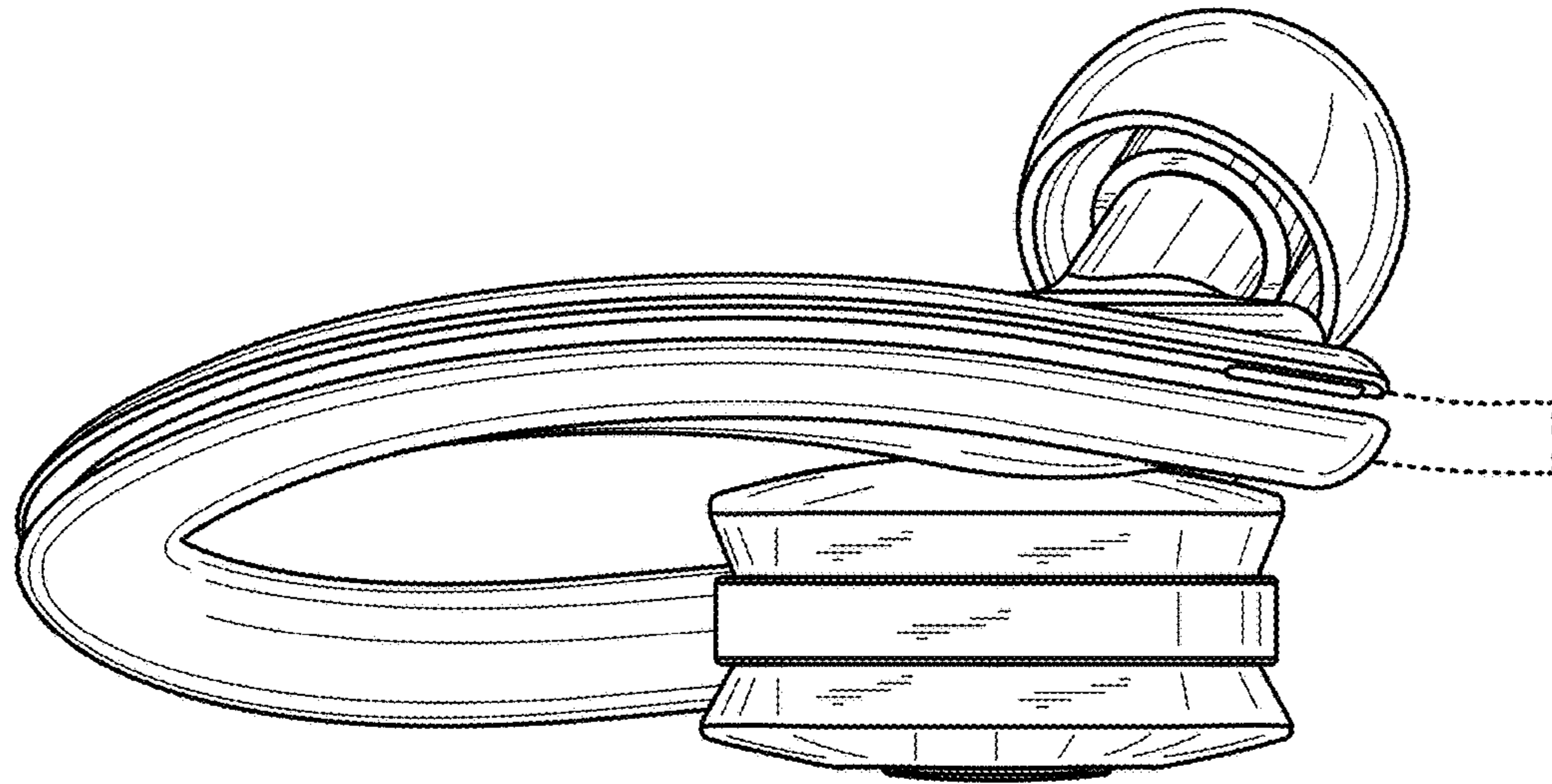


FIG. 12

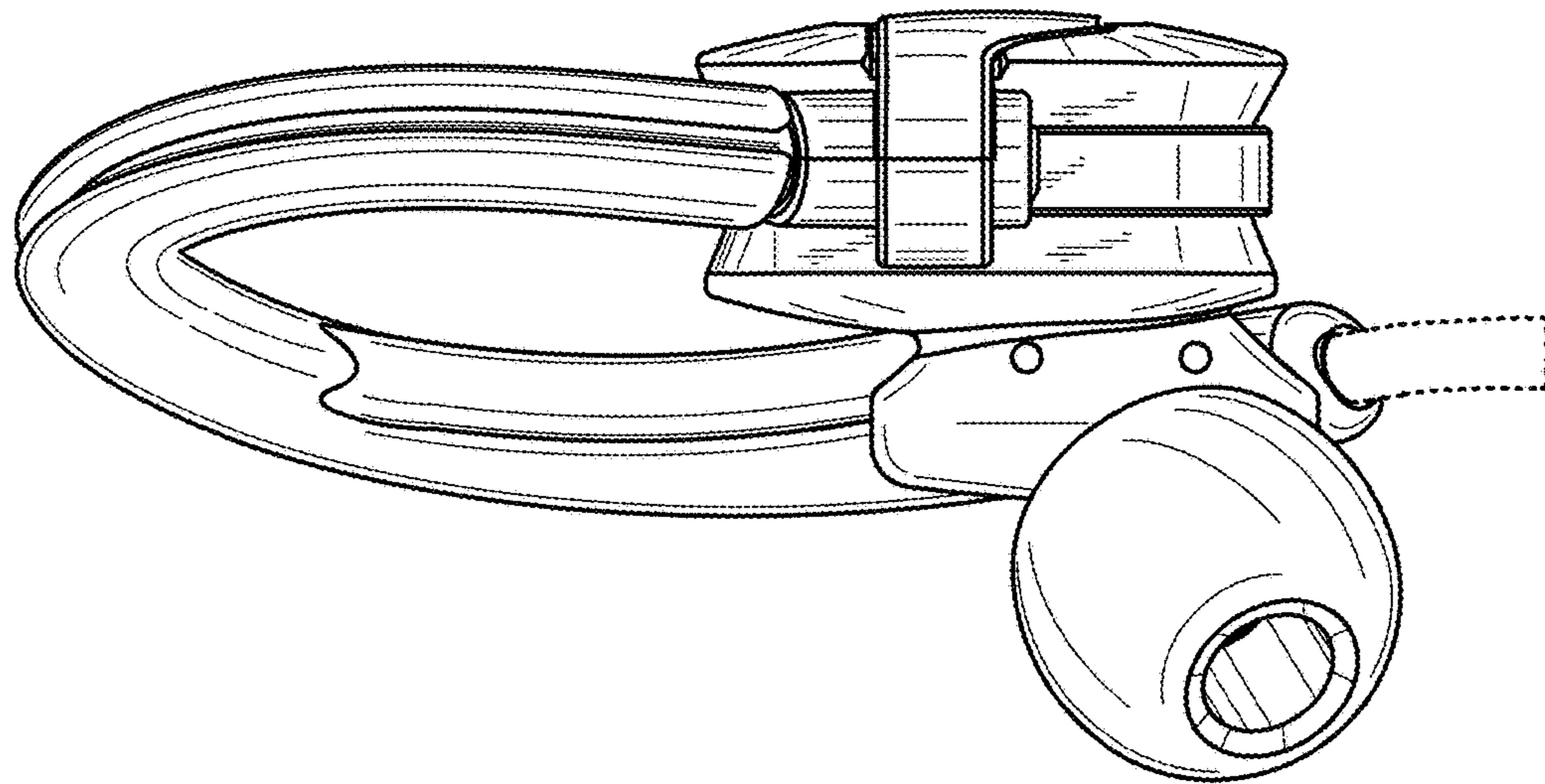


FIG. 11

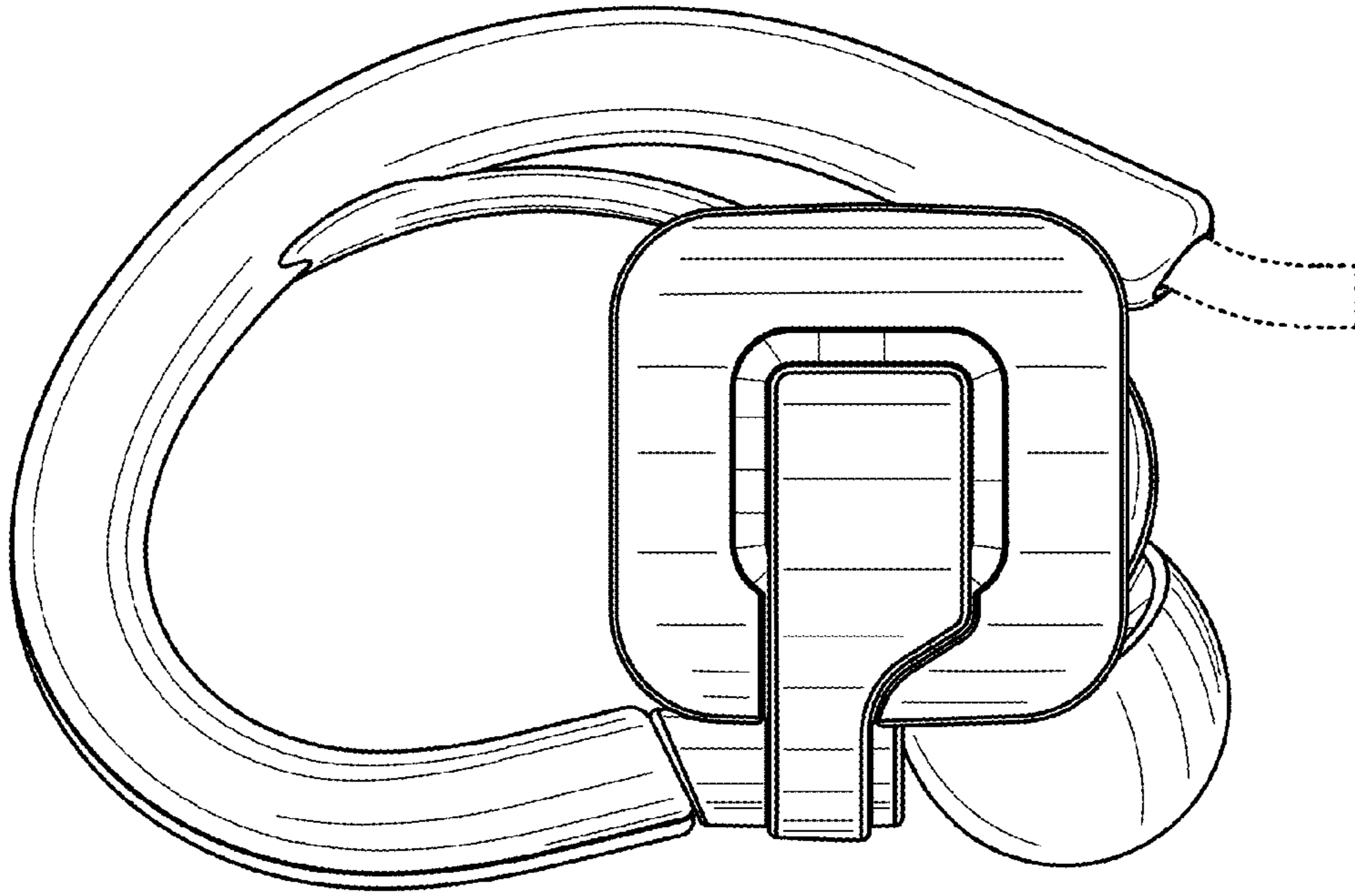


FIG. 14

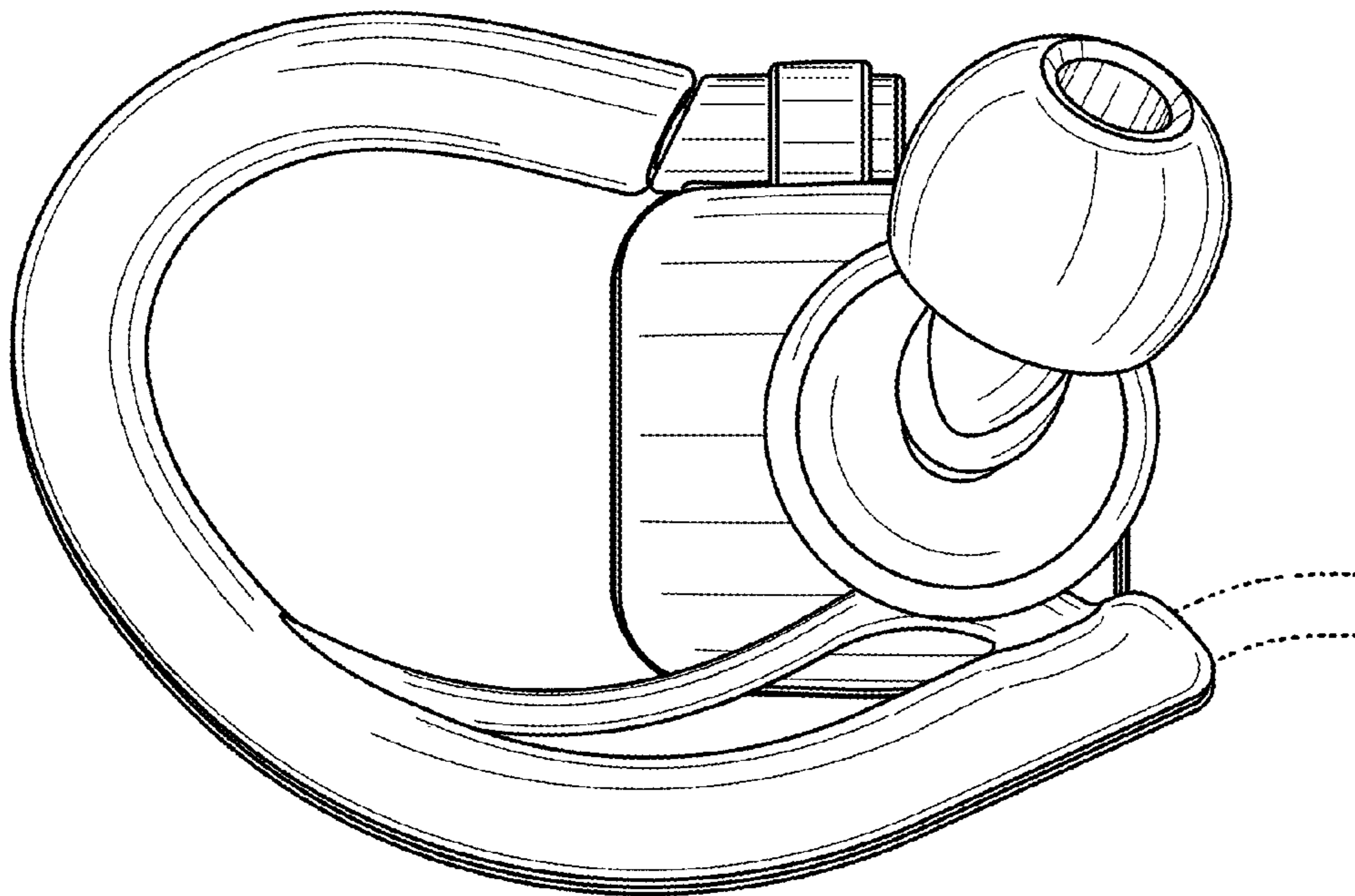


FIG. 13