



US00D799451S

(12) **United States Design Patent**
Ball

(10) **Patent No.:** **US D799,451 S**

(45) **Date of Patent:** **** Oct. 10, 2017**

(54) **EAR BUD HOUSING**

(71) Applicant: **Kenneth Ball**, Portland, OR (US)

(72) Inventor: **Kenneth Ball**, Portland, OR (US)

(**) Term: **15 Years**

(21) Appl. No.: **29/551,309**

(22) Filed: **Jan. 12, 2016**

(51) **LOC (10) Cl.** **14-01**

(52) **U.S. Cl.**
USPC **D14/223**

(58) **Field of Classification Search**
USPC D14/223, 205, 206; 181/129, 130, 135;
379/430, 431; 381/380, 381
CPC H04R 1/10; H04R 25/00; H04R 1/105;
H04R 1/1016; H04R 1/1058; H04R 25/02
See application file for complete search history.

(56) **References Cited**

U.S. PATENT DOCUMENTS

| | | | | | |
|-----------|------|---------|-----------|-------|-----------------------|
| 2,325,590 | A * | 7/1943 | Carlisle | | H04R 11/06 381/322 |
| 3,209,082 | A * | 9/1965 | McCarrell | | H04R 25/02 381/328 |
| D208,784 | S * | 10/1967 | Sanzone | | D24/174 |
| 3,821,647 | A * | 6/1974 | Minasian | | H04B 1/06 381/380 |
| 4,550,227 | A * | 10/1985 | Topholm | | H04R 25/60 381/322 |
| D287,764 | S * | 1/1987 | Topholm | | D24/174 |
| D287,765 | S * | 1/1987 | Topholm | | D24/174 |
| D348,067 | S * | 6/1994 | Lucey | | D14/223 |
| D405,528 | S * | 2/1999 | Shennib | | D24/174 |
| D457,514 | S * | 5/2002 | Marion | | D14/223 |
| D467,907 | S * | 12/2002 | Marion | | D14/223 |
| D468,301 | S * | 1/2003 | Fushimi | | D14/223 |
| D481,709 | S * | 11/2003 | Solderits | | D14/223 |
| 6,830,124 | B2 * | 12/2004 | Chiang | | A61F 11/08 128/864 |

| | | | | | |
|-----------|------|---------|-----------|-------|------------------------|
| D505,411 | S * | 5/2005 | Sakai | | D14/192 |
| D514,094 | S * | 1/2006 | Griffin | | D14/223 |
| D514,095 | S * | 1/2006 | Wilson | | D14/223 |
| D519,108 | S * | 4/2006 | Yang | | D14/223 |
| D529,901 | S * | 10/2006 | Ohta | | D14/223 |
| D537,438 | S * | 2/2007 | Hermansen | | D14/223 |
| D550,657 | S * | 9/2007 | Gan | | D14/223 |
| D566,099 | S * | 4/2008 | Komiyama | | D14/206 |
| D569,841 | S * | 5/2008 | Chung | | D14/205 |
| D572,706 | S * | 7/2008 | Schaefer | | D14/223 |
| D574,361 | S * | 8/2008 | Sasaki | | D14/205 |
| D587,681 | S * | 3/2009 | Yanai | | D14/205 |
| D594,441 | S * | 6/2009 | Lee | | D14/205 |
| 7,551,748 | B2 * | 6/2009 | Kamo | | H04R 1/1016 381/328 |
| D600,675 | S * | 9/2009 | Lee | | D14/205 |
| D614,168 | S * | 4/2010 | Rogers | | D14/206 |
| D618,211 | S * | 6/2010 | Oguro | | D14/205 |
| D626,112 | S * | 10/2010 | Kao | | D14/205 |
| D628,193 | S * | 11/2010 | Zheng | | D14/223 |

(Continued)

Primary Examiner — Paula Greene

(74) *Attorney, Agent, or Firm* — Mark S. Hubert

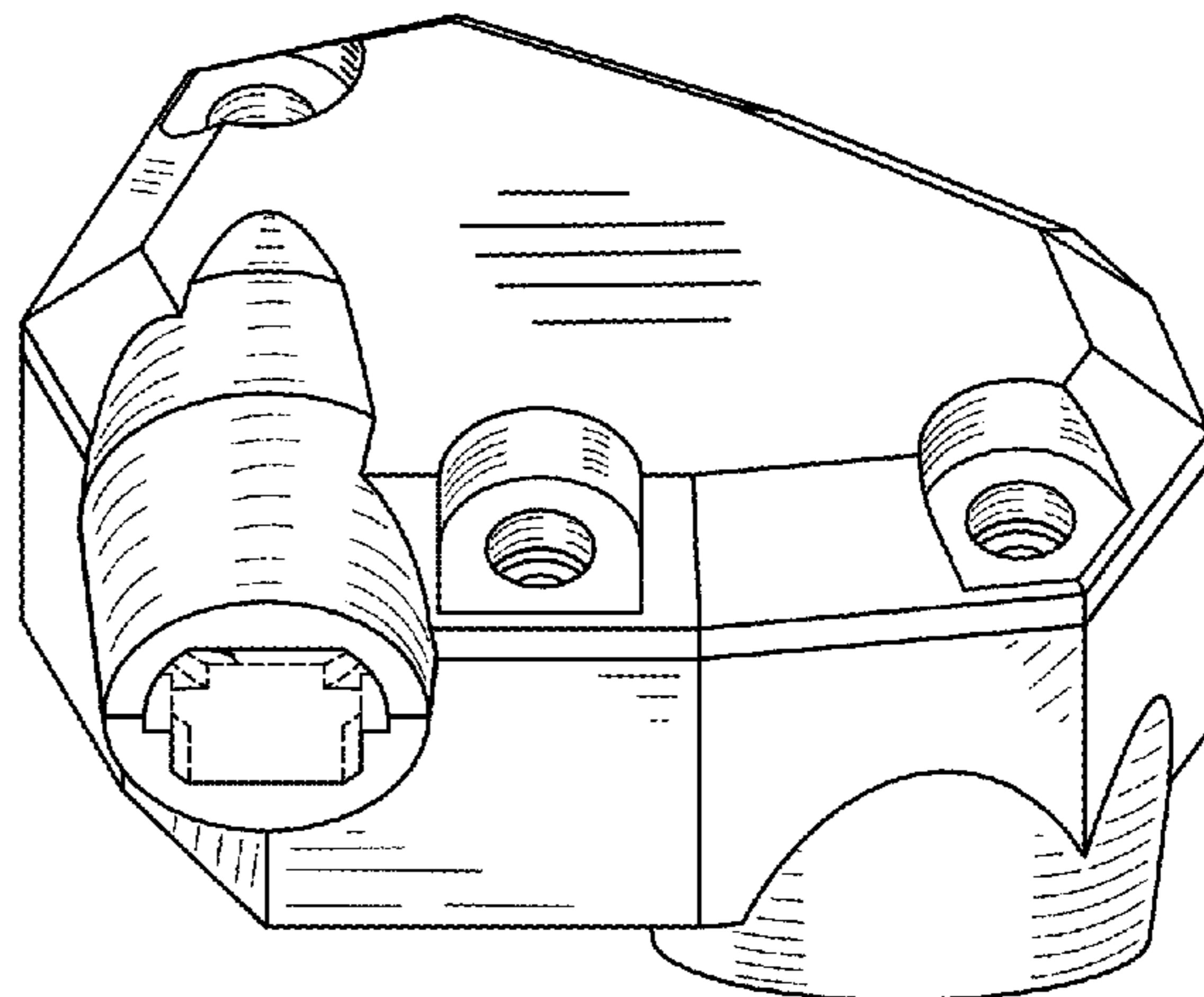
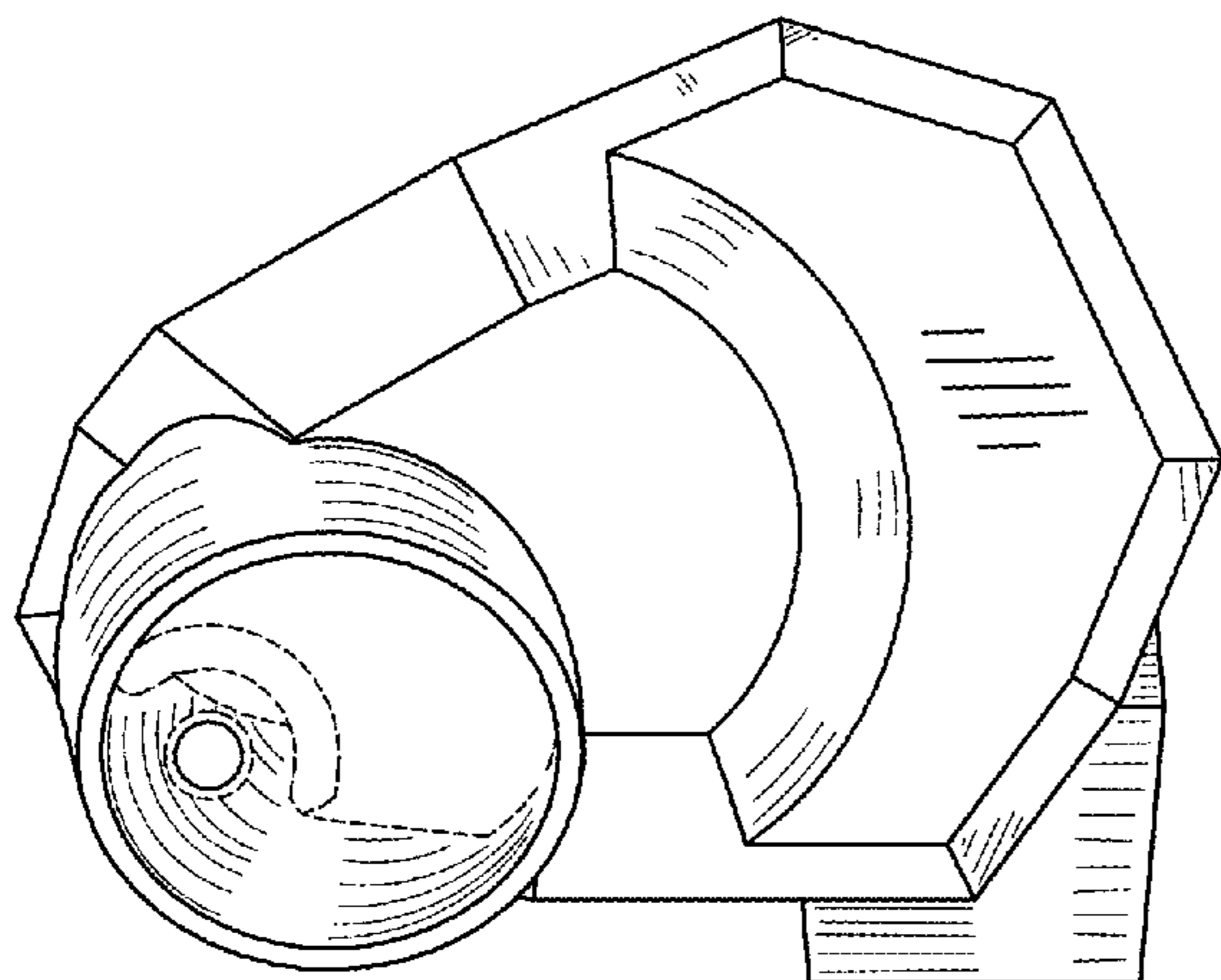
(57) **CLAIM**

I claim the ornamental design for the ear bud housing, as shown and described.

DESCRIPTION

FIG. 1 is a front view of the ear bud housing showing my new design;
FIG. 2 is a bottom view of the ear bud housing;
FIG. 3 is a top view of the ear bud housing;
FIG. 4 is a right-side view of the ear bud housing;
FIG. 5 is a left-side view of the ear bud housing;
FIG. 6 is a back view of the ear bud housing; and,
FIG. 7 is a perspective view of the ear bud housing.
The broken line depict environment that forms no part of the claimed design.

1 Claim, 7 Drawing Sheets



(56)

References Cited

U.S. PATENT DOCUMENTS

| | | | | | | |
|-----------|----|---|---------|--------------|-------|------------------------|
| D628,990 | S | * | 12/2010 | Pedersen | | D14/223 |
| D631,470 | S | * | 1/2011 | Yoneyama | | D14/223 |
| D637,998 | S | * | 5/2011 | Brunner | | D14/205 |
| D637,999 | S | * | 5/2011 | Brunner | | D14/205 |
| D652,822 | S | * | 1/2012 | Lee | | D14/223 |
| D673,373 | S | * | 1/2013 | Sherman | | D4/132 |
| D683,332 | S | * | 5/2013 | Lee | | D14/223 |
| D700,905 | S | * | 3/2014 | Pavitsich | | D14/223 |
| D702,668 | S | * | 4/2014 | Narita | | H04R 1/10 D14/223 |
| D721,354 | S | * | 1/2015 | Thompson | | D14/223 |
| D722,040 | S | * | 2/2015 | Tan | | D14/205 |
| 8,983,108 | B2 | * | 3/2015 | Ho | | H04R 1/1058 181/135 |
| D735,169 | S | * | 7/2015 | Shieh | | D14/223 |
| D739,377 | S | * | 9/2015 | Yeom | | D14/205 |
| D760,189 | S | * | 6/2016 | Loh Jun Kern | | D14/205 |
| D767,532 | S | * | 9/2016 | Jen | | D14/205 |
| D777,710 | S | * | 1/2017 | Palmberg | | D14/223 |
| D780,714 | S | * | 3/2017 | Vogt, Jr. | | D14/205 |

* cited by examiner

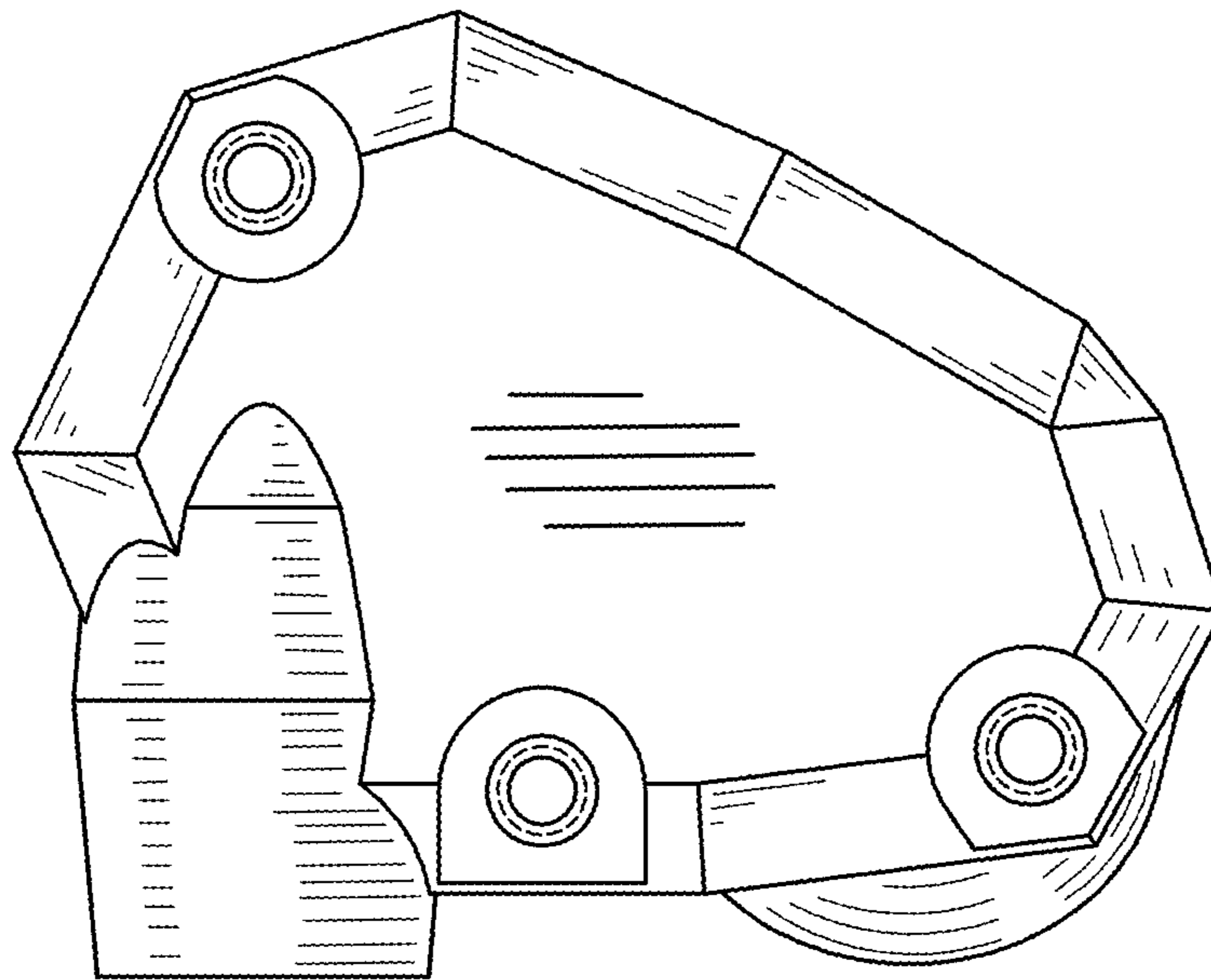


Figure 1

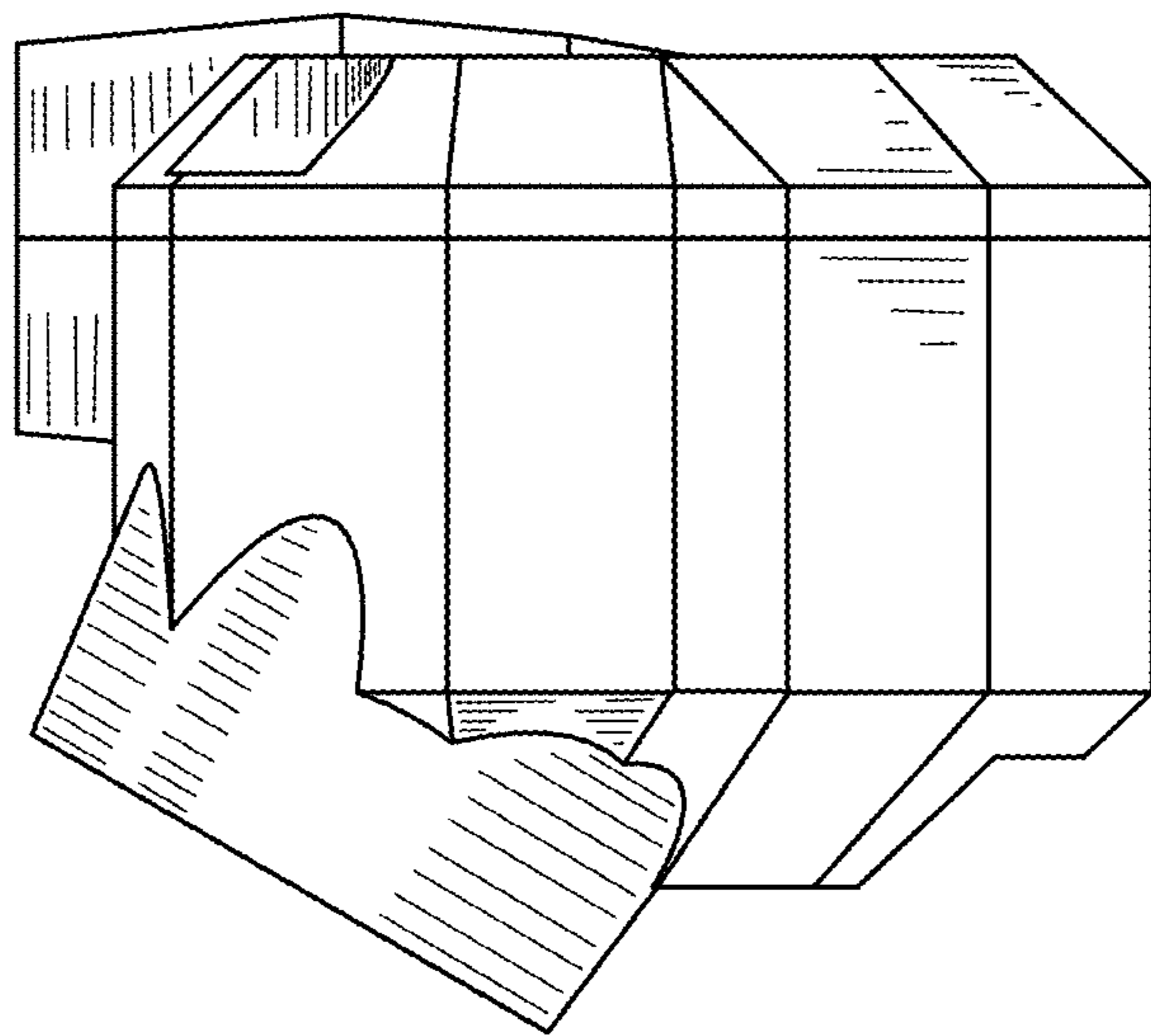


Figure 2

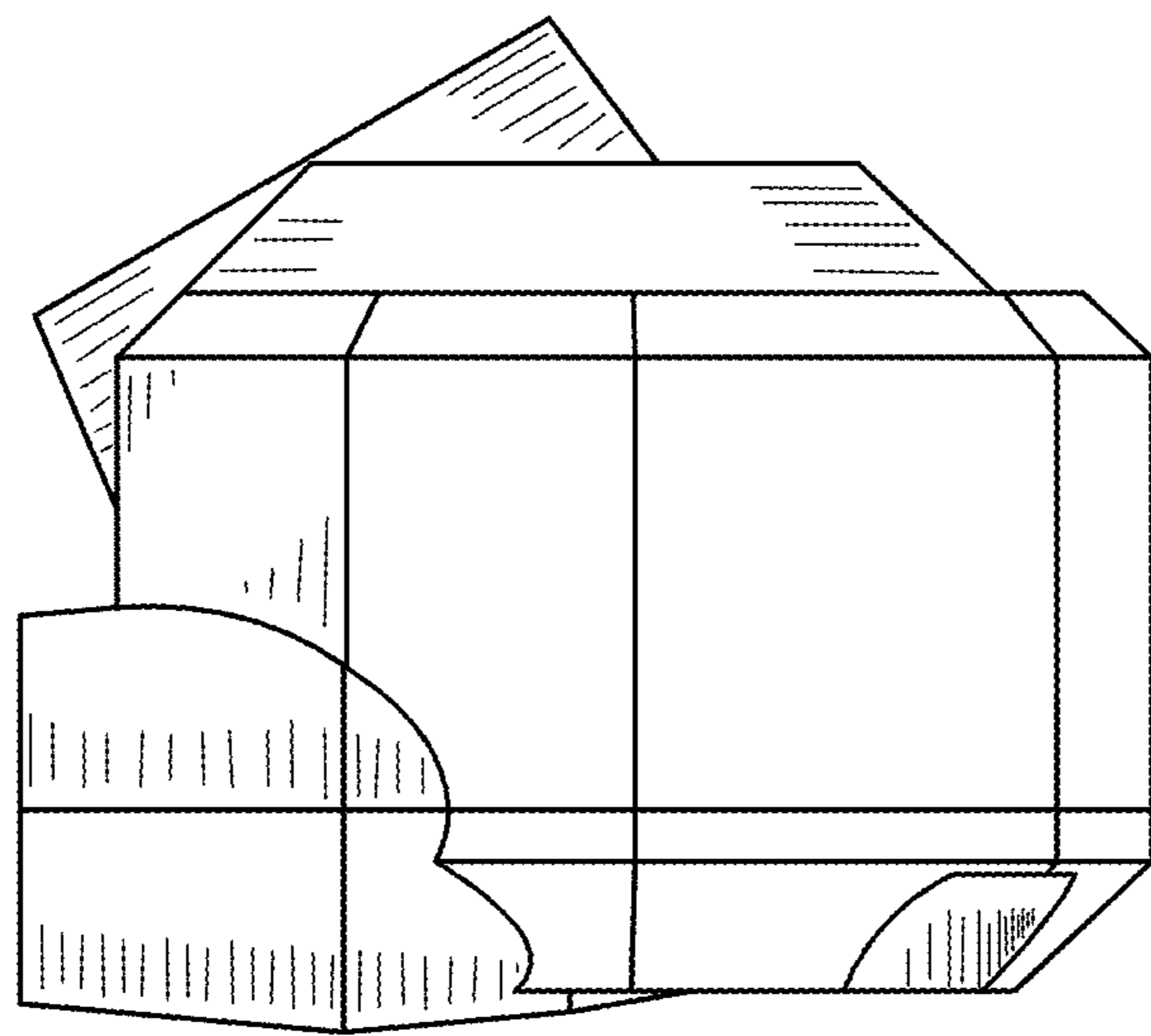


Figure 3

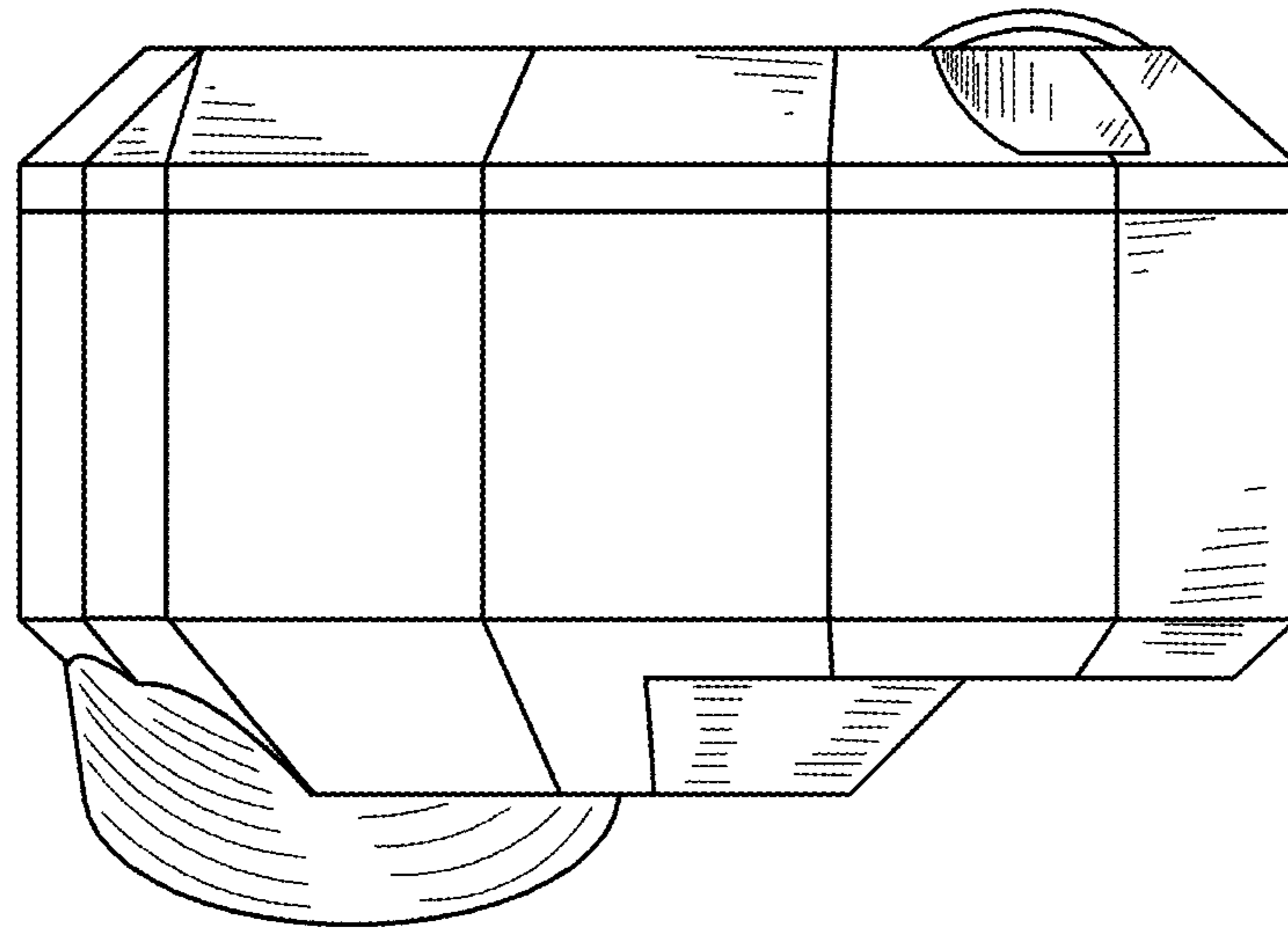


Figure 4

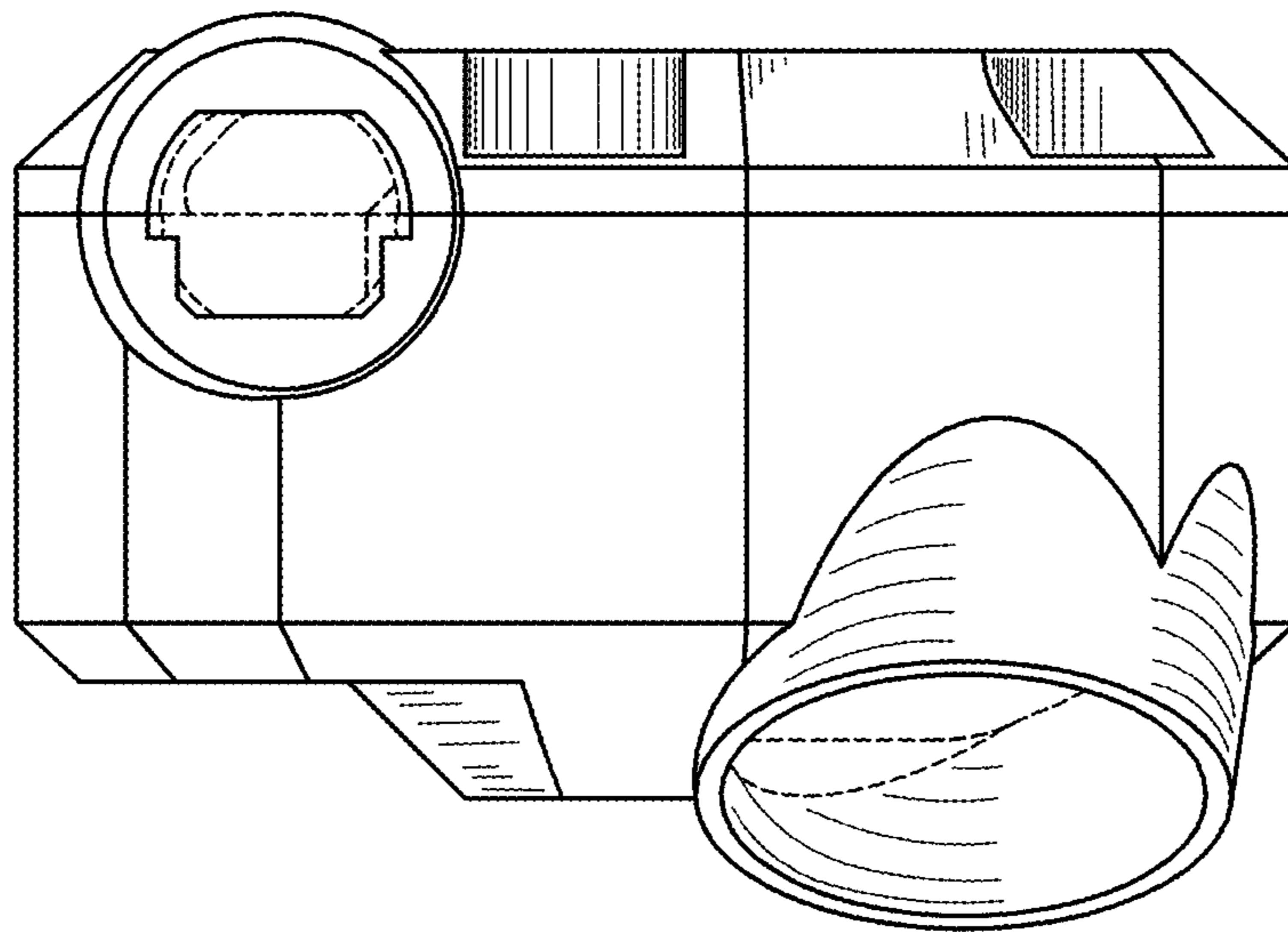


Figure 5

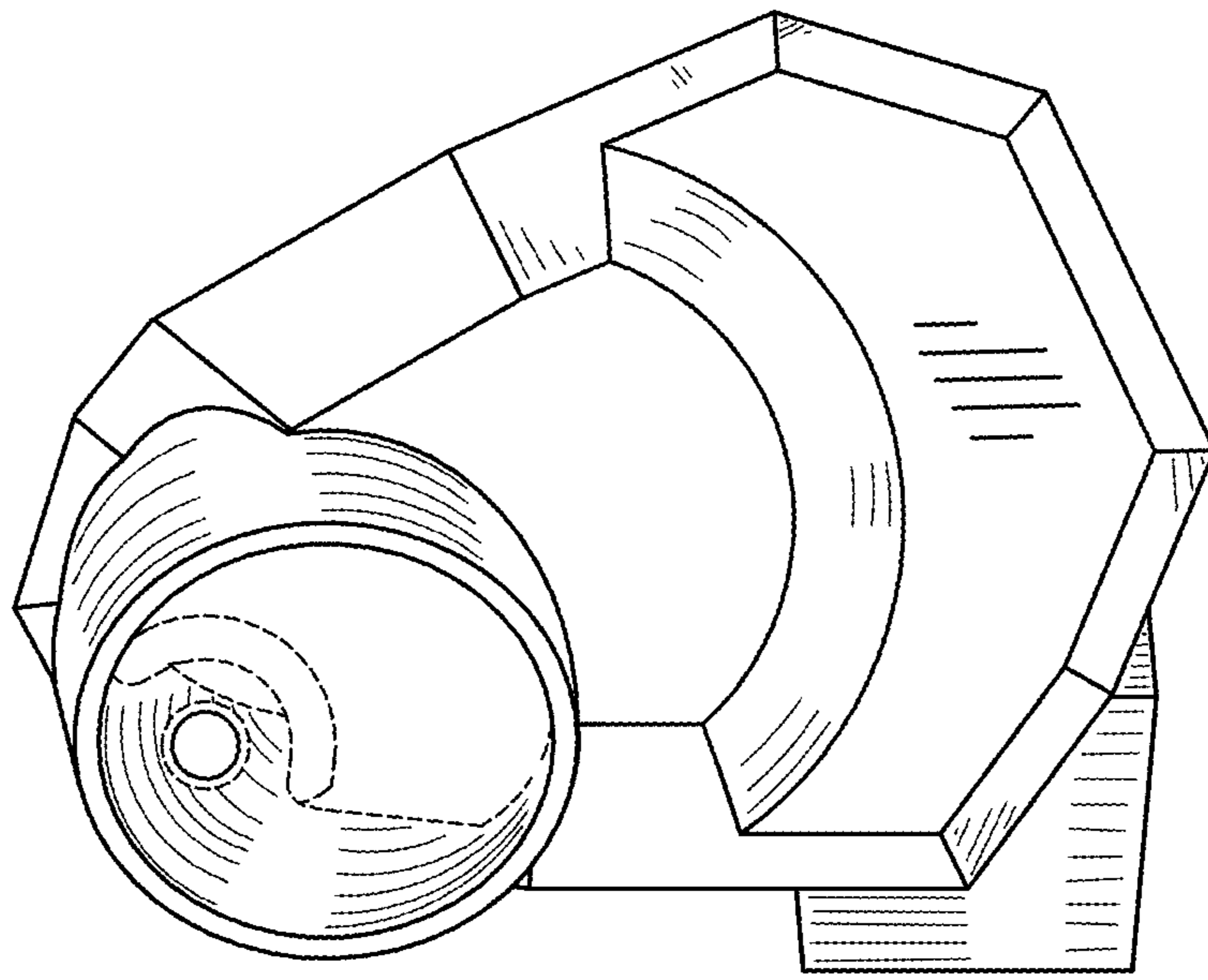


Figure 6

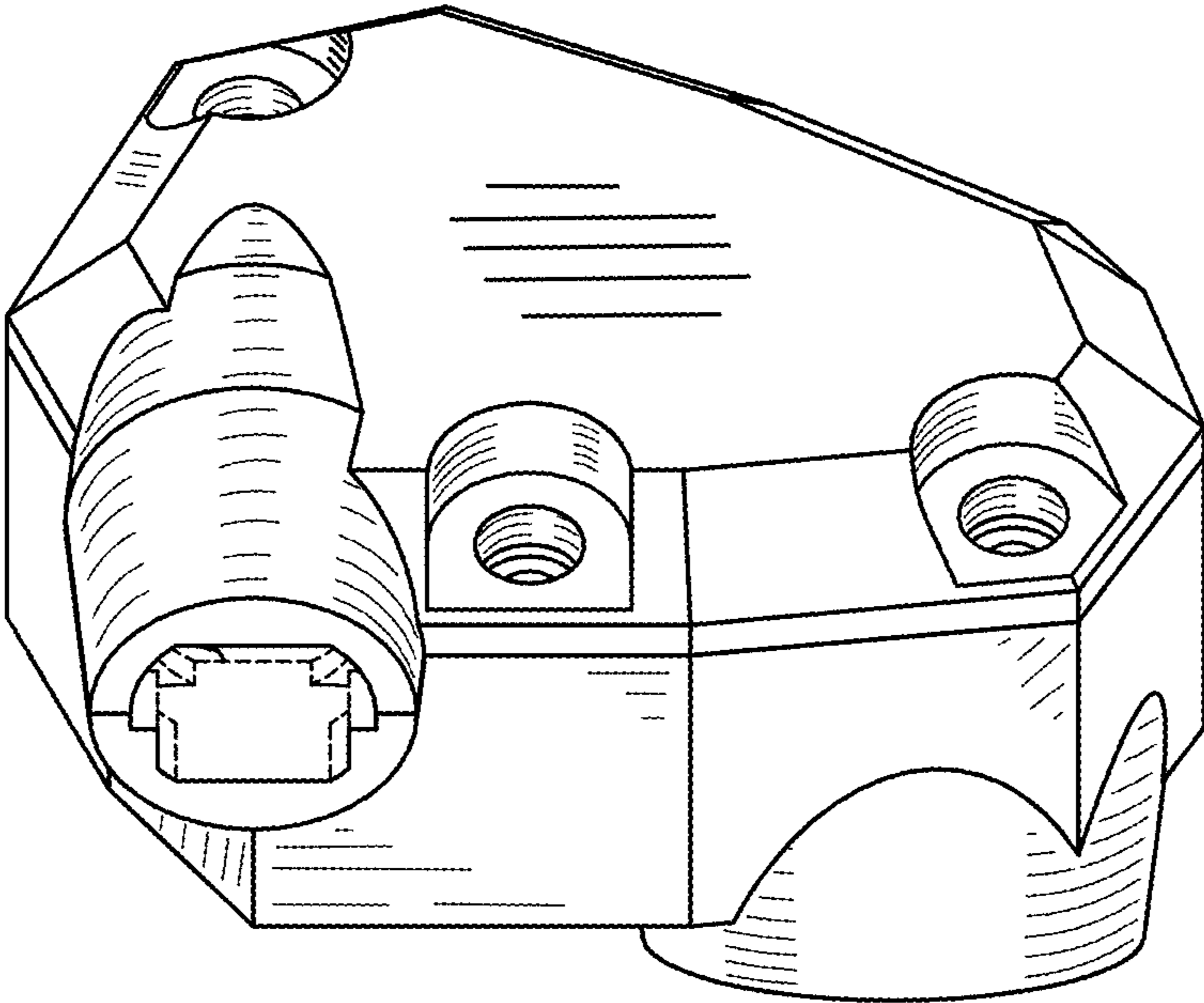


Figure 7