

US00D799449S

(12) **United States Design Patent** (10) **Patent No.:** **US D799,449 S**
Yoon et al. (45) **Date of Patent:** **** Oct. 10, 2017**

(54) **REMOTE CONTROL**

(56) **References Cited**

(71) Applicant: **LG ELECTRONICS INC.**, Seoul (KR)

U.S. PATENT DOCUMENTS

(72) Inventors: **Hyunjin Yoon**, Seoul (KR); **Euseok Lee**, Seoul (KR)

D363,720 S *	10/1995	Lagohm	D14/218
D366,876 S *	2/1996	Labohm	D14/218
D368,475 S *	4/1996	Scott	D14/218
D372,246 S *	7/1996	Renk	D14/218
D375,373 S *	11/1996	Mele	D26/38
D375,748 S *	11/1996	Hartman	D14/218
D376,366 S *	12/1996	Patton	D14/218
D396,384 S *	7/1998	Slaten	D14/218
D400,779 S *	11/1998	Chen	D8/347
D424,062 S *	5/2000	Barhold	D14/218
D580,413 S *	11/2008	Tsao	D13/168
D580,915 S *	11/2008	Tsao	D13/168
D718,273 S *	11/2014	Harata	D14/205

(73) Assignee: **LG ELECTRONICS INC.**, Seoul (KR)

(**) Term: **15 Years**

(21) Appl. No.: **35/501,496**

(22) Filed: **Mar. 4, 2016**

* cited by examiner

(80) **Hague Agreement Data**

Primary Examiner — Manpreet Matharu

Int. Filing Date: **Mar. 4, 2016**

Assistant Examiner — Eliza Bennett-Hattan

Int. Reg. No.: **DM/089978**

(74) *Attorney, Agent, or Firm* — Birch, Stewart, Kolasch & Birch, LLP

Int. Reg. Date: **Mar. 4, 2016**

Int. Reg. Pub. Date: **Sep. 9, 2016**

(57) **CLAIM**

The ornamental design for a remote control, as shown and described.

(30) **Foreign Application Priority Data**

DESCRIPTION

Sep. 8, 2015 (KR) 30-2015-0045672

(51) **LOC (10) Cl.** **14-03**

(52) **U.S. Cl.**
USPC **D14/218**

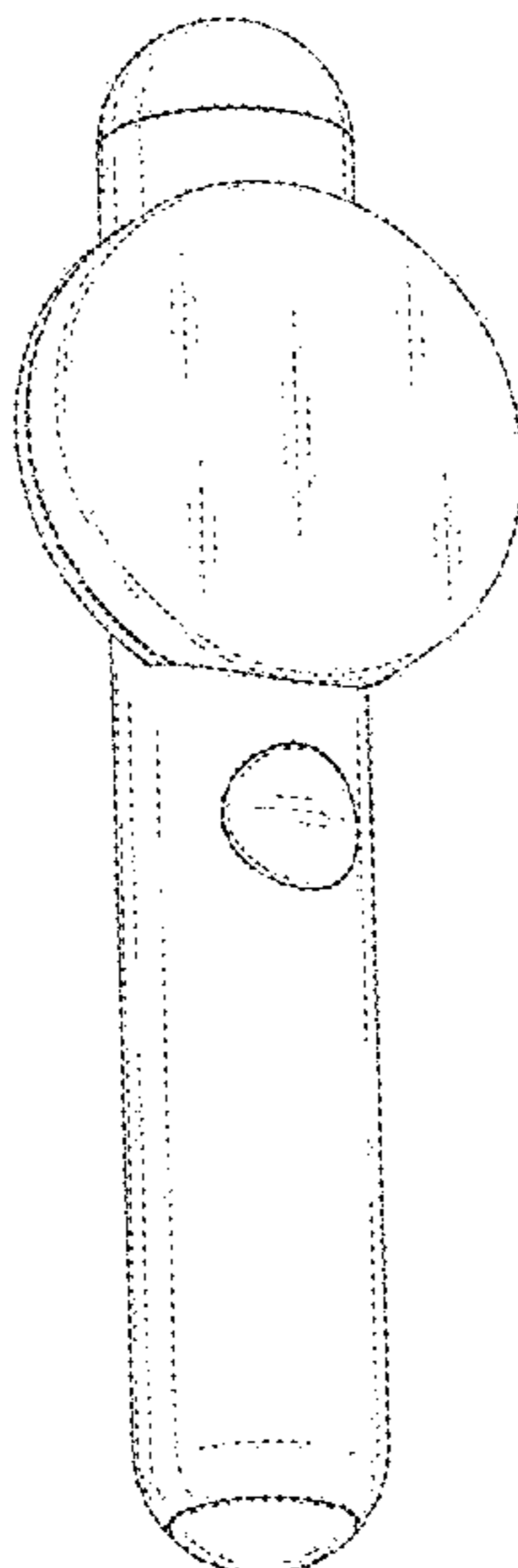
(58) **Field of Classification Search**
USPC D14/218
CPC G08C 23/04; G08C 17/00; G08C 2201/92;
G08C 17/02; G08C 2201/112; H01H
9/0235; H01H 9/025; H01H 2009/0257;
H01H 2219/008; H01H 2217/014; H01H
2217/022; H01H 2217/048; H01H
2223/04

- 1. Remote control
- 1.1 : Perspective
- 1.2 : Front
- 1.3 : Back
- 1.4 : Left
- 1.5 : Right
- 1.6 : Top
- 1.7 : Bottom

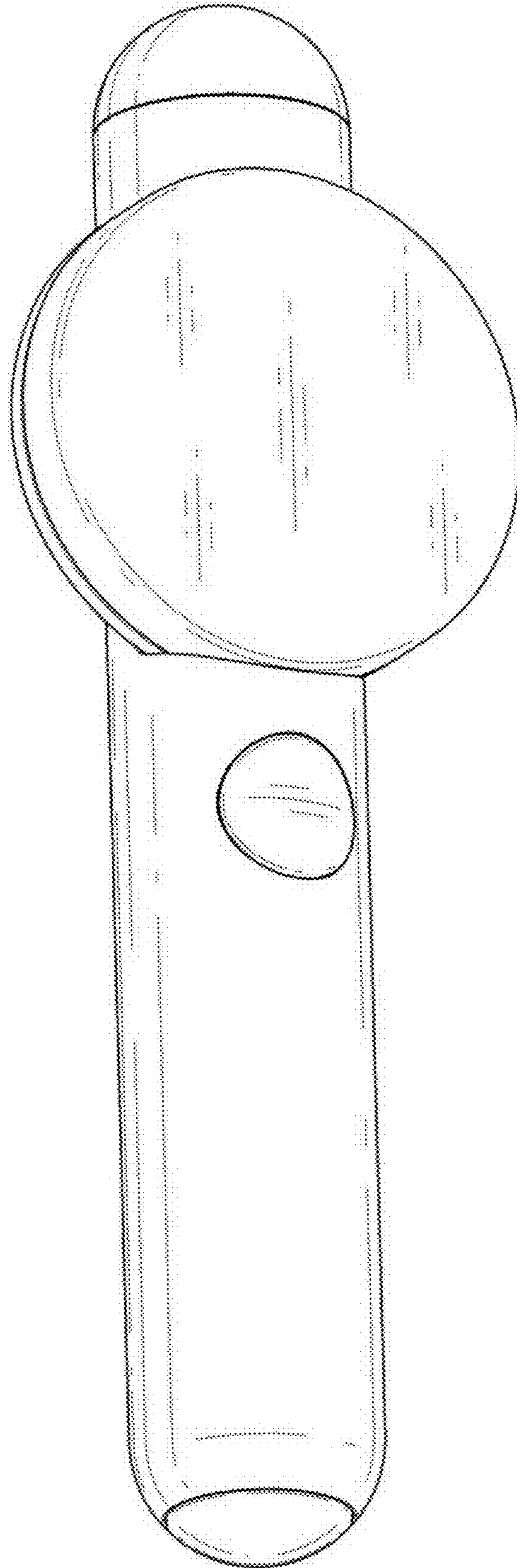
The gist of the present ornamental design is a combination of shape and pattern of a remote control as shown and described.

See application file for complete search history.

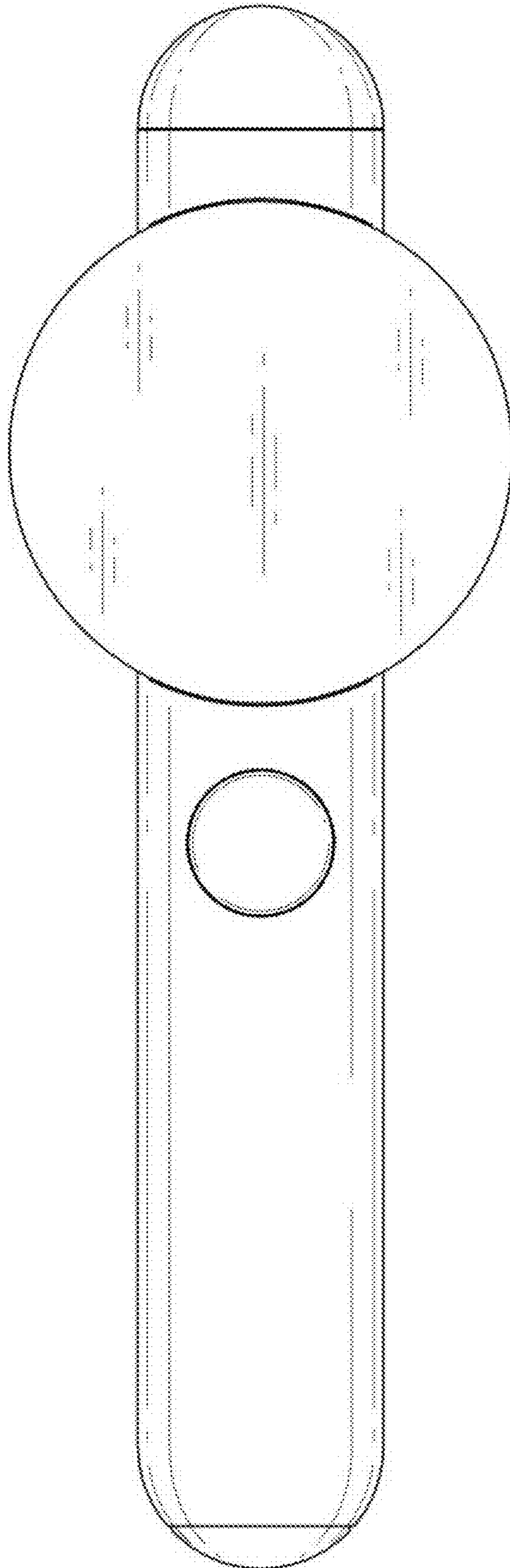
1 Claim, 7 Drawing Sheets



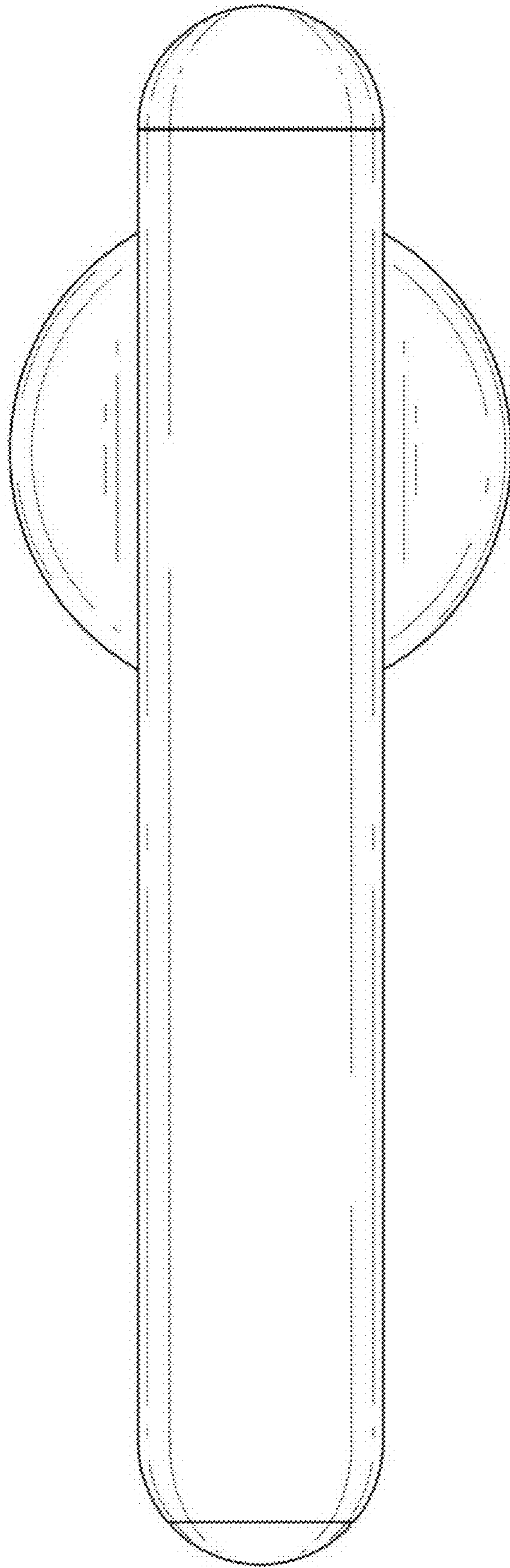
1.1



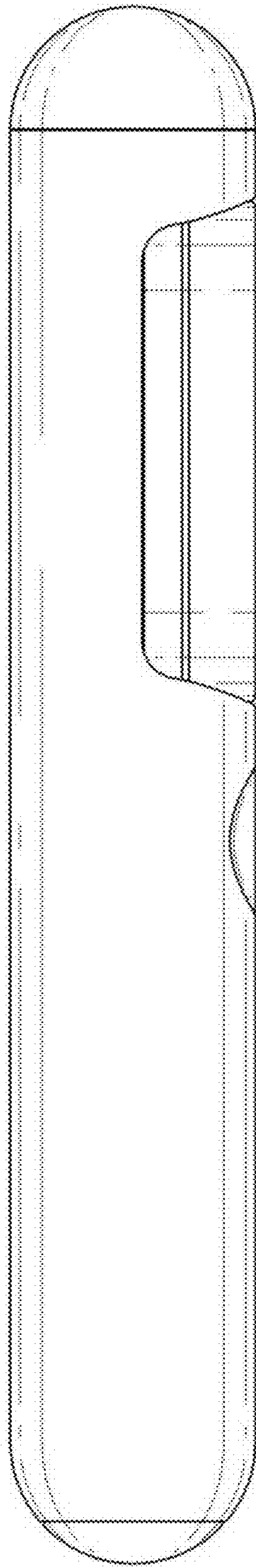
1.2



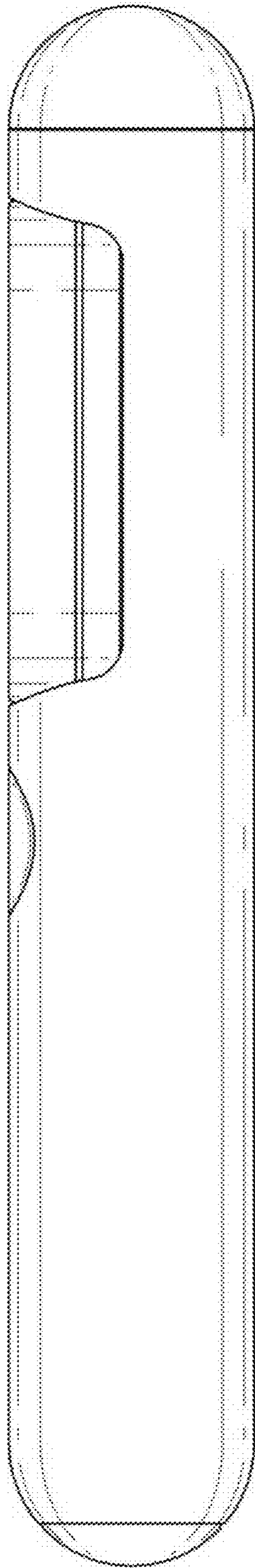
1.3



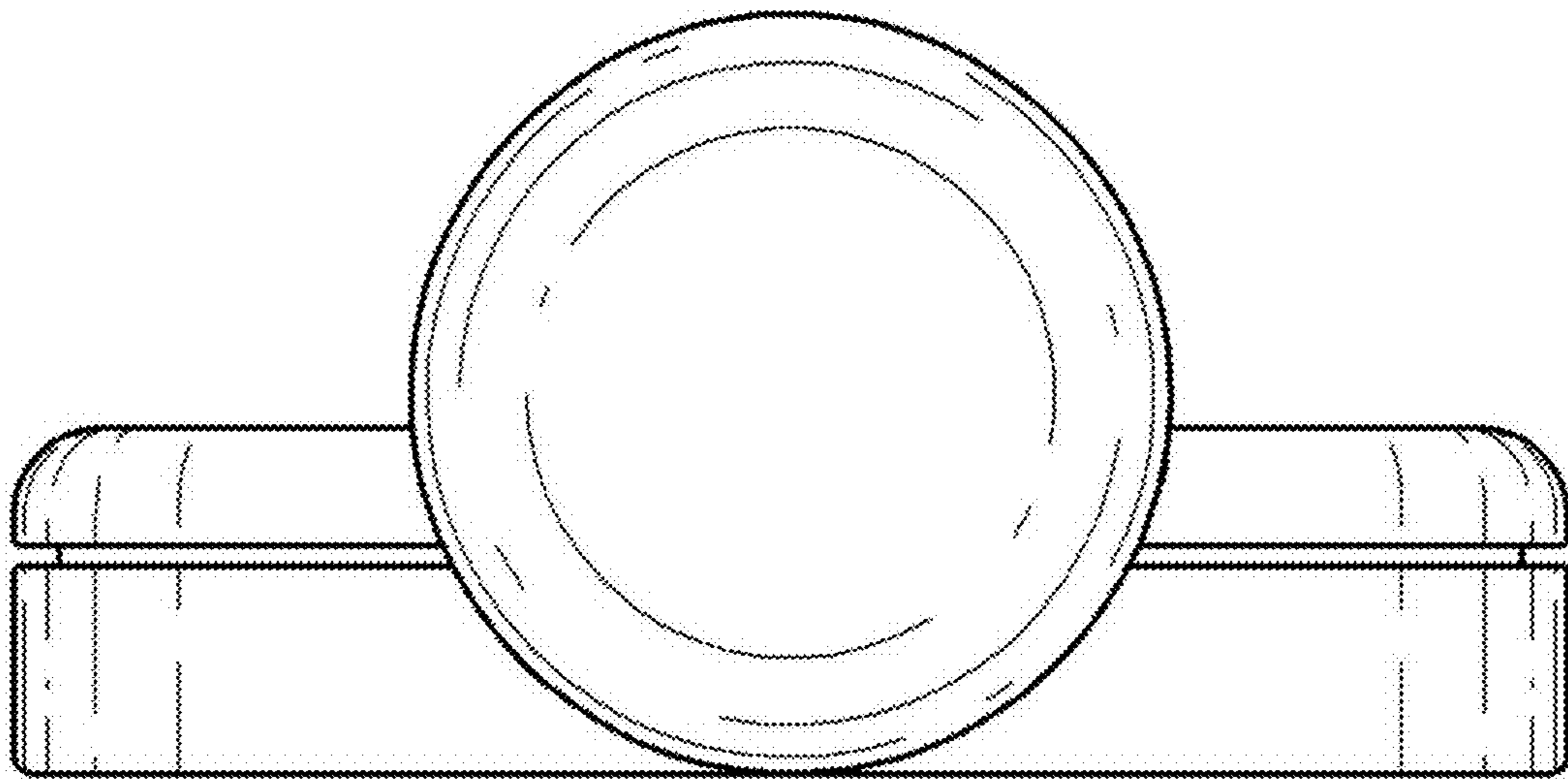
1.4



1.5



1.6



1.7

