



US00D799448S

(12) **United States Design Patent** (10) **Patent No.:** **US D799,448 S**
Zheng et al. (45) **Date of Patent:** **** Oct. 10, 2017**

- (54) **GIMBAL WITH HANDLE**
- (71) Applicant: **SZ DJI Osmo Technology Co., Ltd.**,
Shenzhen (CN)
- (72) Inventors: **Haibin Zheng**, Shenzhen (CN); **Min Kim**, Shenzhen (CN)
- (73) Assignee: **SZ DJI Osmo Technology Co., Ltd.**,
Shenzhen (CN)
- (**) Term: **15 Years**
- (21) Appl. No.: **29/604,544**
- (22) Filed: **May 18, 2017**

Related U.S. Application Data

- (63) Continuation of application No. 29/601,445, filed on Apr. 21, 2017, which is a continuation of application (Continued)
- (51) **LOC (10) Cl.** **14-03**
- (52) **U.S. Cl.**
USPC **D14/217**
- (58) **Field of Classification Search**
USPC D14/217, 253, 251, 252, 447, 451, 452, D14/440, 434, 458, 432, 439, 453, 460, D14/238.1, 140, 142, 149, 148; D13/107, D13/108, 218; D12/415, 223; D34/28, D34/32, 33; D16/200-208
CPC .. H04M 1/72527; H04M 1/04; H04M 1/0252; H04M 1/72558; H04M 1/72561; H04M 3/42051; H04M 1/0216; H04M 1/0245; H04M 1/0254; H04M 1/6075; H04M 1/6091; H04M 1/66; H04M 2250/22; H04M 11/04; H04M 19/08; H04M 1/02; H04M 1/0214; H04M 1/0274; H04M 1/03; H04M 1/05; H04M 1/11; H04M 1/2155; H04M 1/6033; H04M 1/6041; H04M

(Continued)

(56) **References Cited**

U.S. PATENT DOCUMENTS

- 3,810,647 A 5/1974 Martchenke
4,864,335 A 9/1989 Corrales
(Continued)

FOREIGN PATENT DOCUMENTS

- CN 303127592 S 3/2015
CN 303320443 S 8/2015
(Continued)

OTHER PUBLICATIONS

- U.S. Appl. No. 29/526,495, filed May 11, 2015.
(Continued)

Primary Examiner — Ian Simmons
Assistant Examiner — Khawaja Anwar
(74) *Attorney, Agent, or Firm* — Sterne, Kessler, Goldstein & Fox P.L.L.C.

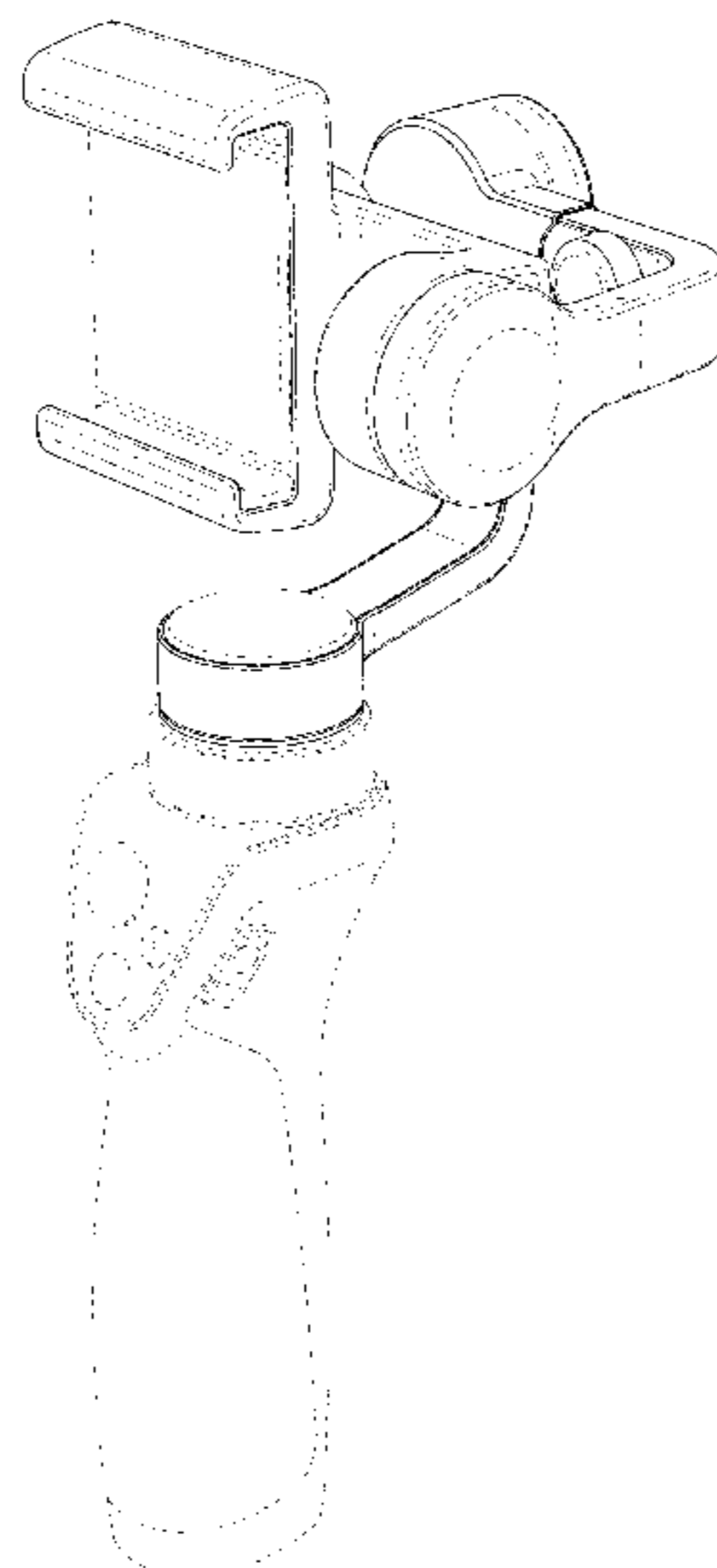
(57) **CLAIM**

The ornamental design for a gimbal with handle, as shown and described.

DESCRIPTION

FIG. 1 is a top front perspective view of a gimbal with handle showing the claimed design;
FIG. 2 is a top rear perspective view thereof;
FIG. 3 is a front view thereof;
FIG. 4 is a rear view thereof;
FIG. 5 is a right side view thereof;
FIG. 6 is a left side view thereof;
FIG. 7 is a top view thereof; and,
FIG. 8 is a bottom view thereof.
The broken lines in the figures show portions of the gimbal with handle that form no part of the claimed design.

1 Claim, 7 Drawing Sheets



Related U.S. Application Data

No. 29/566,534, filed on May 31, 2016, now Pat. No. Des. 794,606.

(58) **Field of Classification Search**

CPC 1/6058; H04M 1/6066; H04M 1/72519; H04M 1/7253; H04M 2203/2038; H04M 2250/12; H04M 2250/52; H04M 3/42042; H04M 3/4365; G03B 17/04; G03B 17/561; H05K 5/0013; H05K 5/0086; H05K 5/0247; H05K 5/06

See application file for complete search history.

(56) **References Cited**

U.S. PATENT DOCUMENTS

5,021,813	A	6/1991	Corrales	
D320,995	S	10/1991	Fukuda et al.	
6,366,672	B1	4/2002	Tsay	
6,923,686	B1	8/2005	Cheng	
7,158,092	B2	1/2007	Shen	
D580,474	S	11/2008	Lee et al.	
D590,867	S	4/2009	Schenone et al.	
D619,586	S	7/2010	Richter	
D626,541	S	11/2010	Kim et al.	
8,087,625	B2	1/2012	Chang	
D670,284	S	11/2012	Choi	
D678,387	S	3/2013	Stump et al.	
D690,707	S	10/2013	Minn et al.	
D709,074	S	7/2014	Tsui et al.	
8,780,263	B2	7/2014	Orf	
D713,398	S *	9/2014	Alesi	D14/253
D715,790	S	10/2014	Conomos et al.	
D715,791	S	10/2014	Yu	
D716,788	S *	11/2014	Volkan	D13/108
D720,344	S	12/2014	Yu	
8,915,660	B1	12/2014	Ben Yehuda et al.	
D727,333	S	4/2015	Shih et al.	
D732,519	S	6/2015	Aspinall et al.	
D733,115	S	6/2015	Aspinall et al.	
9,203,946	B2	12/2015	Zajeski et al.	
D747,399	S	1/2016	Stump et al.	
D753,126	S *	4/2016	Alesi	D14/447
D753,205	S *	4/2016	Stark	D16/203
D759,335	S *	6/2016	Kim	D34/28
D765,646	S *	9/2016	Deng	D12/415
D765,651	S	9/2016	Liu et al.	
D766,230	S	9/2016	Shepard	
D767,556	S *	9/2016	Lee	D12/415
D768,125	S	10/2016	Kim	
D769,235	S	10/2016	Li	
D769,860	S	10/2016	Xiao	
D773,449	S *	12/2016	Mellano	D14/253
D777,720	S *	1/2017	Russell	D14/253
D779,580	S	2/2017	Jia	
D780,743	S	3/2017	Chun	
D783,012	S	4/2017	Lee	
D783,013	S	4/2017	Chun	
D783,592	S	4/2017	Ju	
D784,997	S	4/2017	Cheng et al.	
2006/0285844	A1	12/2006	Hershenzon	
2008/0242154	A1	10/2008	Dixon et al.	
2009/0308993	A1	12/2009	Chang	
2010/0237206	A1	9/2010	Barker	
2014/0071339	A1	3/2014	Baker	
2014/0176062	A1	6/2014	Jung	
2015/0071627	A1 *	3/2015	Hoang	F16M 13/00 396/421
2015/0077630	A1	3/2015	Miller	

2015/0090849	A1	4/2015	Breitweiser et al.	
2015/0191124	A1 *	7/2015	Du	F16M 13/022 248/205.4
2015/0323856	A1 *	11/2015	Nordhaug	F16M 13/04 348/208.7
2015/0346590	A1	12/2015	Lewis	
2016/0088748	A1	3/2016	Lin	
2016/0288730	A1	10/2016	Lee et al.	
2017/0227162	A1 *	8/2017	Saika	F16M 13/02

FOREIGN PATENT DOCUMENTS

CN	303320450	S	8/2015
CN	303348679	S	8/2015
CN	303440091	S	11/2015
CN	303509498	S	12/2015
CN	303572923	S	1/2016
CN	303612732	S	3/2016
CN	303648342	S	4/2016
CN	303805800	S	8/2016
JP	D1141667		5/2002
JP	D1208203		6/2004
JP	D1420793		8/2011
JP	D1453628		10/2012
KR	30-0790778		4/2015
KR	30-0792883		4/2015
KR	30-0818012		10/2015
KR	30-0831427		12/2015
KR	30-0873632		9/2016
KR	300873632		9/2016
KR	30-0879205		11/2016
KR	300879205		11/2016
KR	30-0884489		12/2016
KR	300884489		12/2016

OTHER PUBLICATIONS

U.S. Appl. No. 29/540,667, filed Sep. 25, 2015.
 U.S. Appl. No. 29/548,624, filed Dec. 15, 2015.
 U.S. Appl. No. 29/575,754, filed Sep. 25, 2015.
 U.S. Appl. No. 29/575,749, filed Dec. 15, 2015.
<http://news.mynavi.jp/news/2015/01/19/177/>; dated Jan. 19, 2015.
<http://news.mynavi.jp/photo/news/2015/01/19/177/images/0011.jpg>; dated Jan. 19, 2015.
<http://news.mynavi.jp/photo/news/2015/01/19/177/images/0041.jpg>; dated Jan. 19, 2015.
<http://news.mynavi.jp/photo/news/2015/01/19/177/images/0051.jpg>; dated Jan. 19, 2015.
<http://news.mynavi.jp/photo/news/2015/01/19/177/images/0121.jpg>; dated Jan. 19, 2015.
<http://k-tai.watch.impress.co.jp/docs/column/stapa/687357.html>;
 dated Feb. 9, 2015.
 "Swiftcam M3 Auto-stabilizing Hand Held Holder Gimbal for Smartphone Mobile Phone," ebay, <URL: <http://www.ebay.com/itm/Swiftcam-M3-Auto-stabilizing-Hand-Held-Holder-Gimbal-For-Smartphone-Mobile-Phone-/181421925183>>; date accessed: Apr. 25, 2017.
 "WenPod SP2 Digital Stabilizer Gimbal Smart Phone Holder," zapals, <URL: <https://www.zapals.com/wenpod-sp2-digital-stabilizer-gimbal-smart-phone-holder.html>>; date accessed: Apr. 25, 2017.
 "Smartphone Mount Holder for Feiyu Tech G3 Ultra 2 / 3-Axis Steadycam Handheld Gimbal Stabilizer Phone Holder," Bigup Gadgets, <URL: <http://bigupgadgets.com/smartphone-mount-holder-for-feiyu-tech-g3-ultra-2-3-axis-steadycam-handheld-gimbal-stabilizer-phone-holder.html>>, dated accessed: Apr. 25, 2017.

* cited by examiner

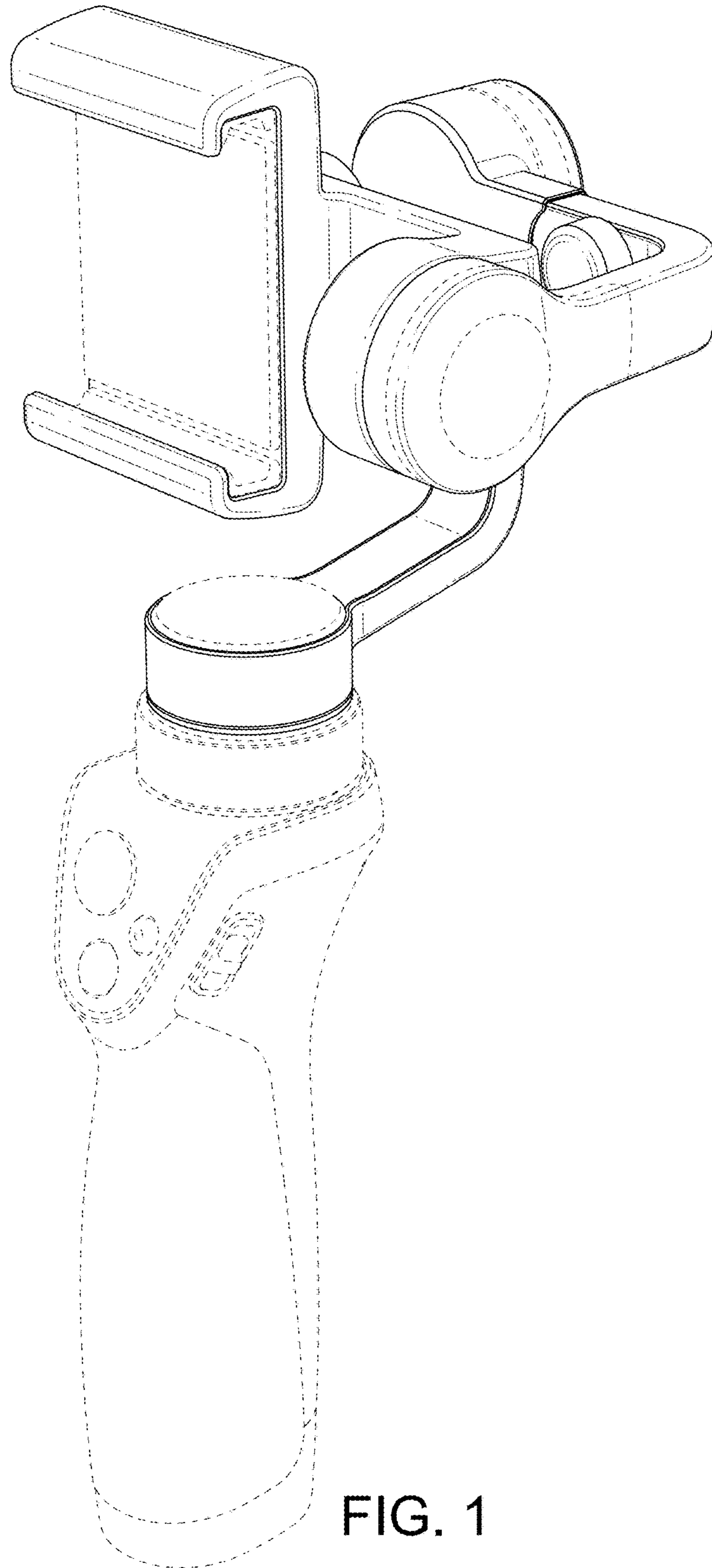


FIG. 1

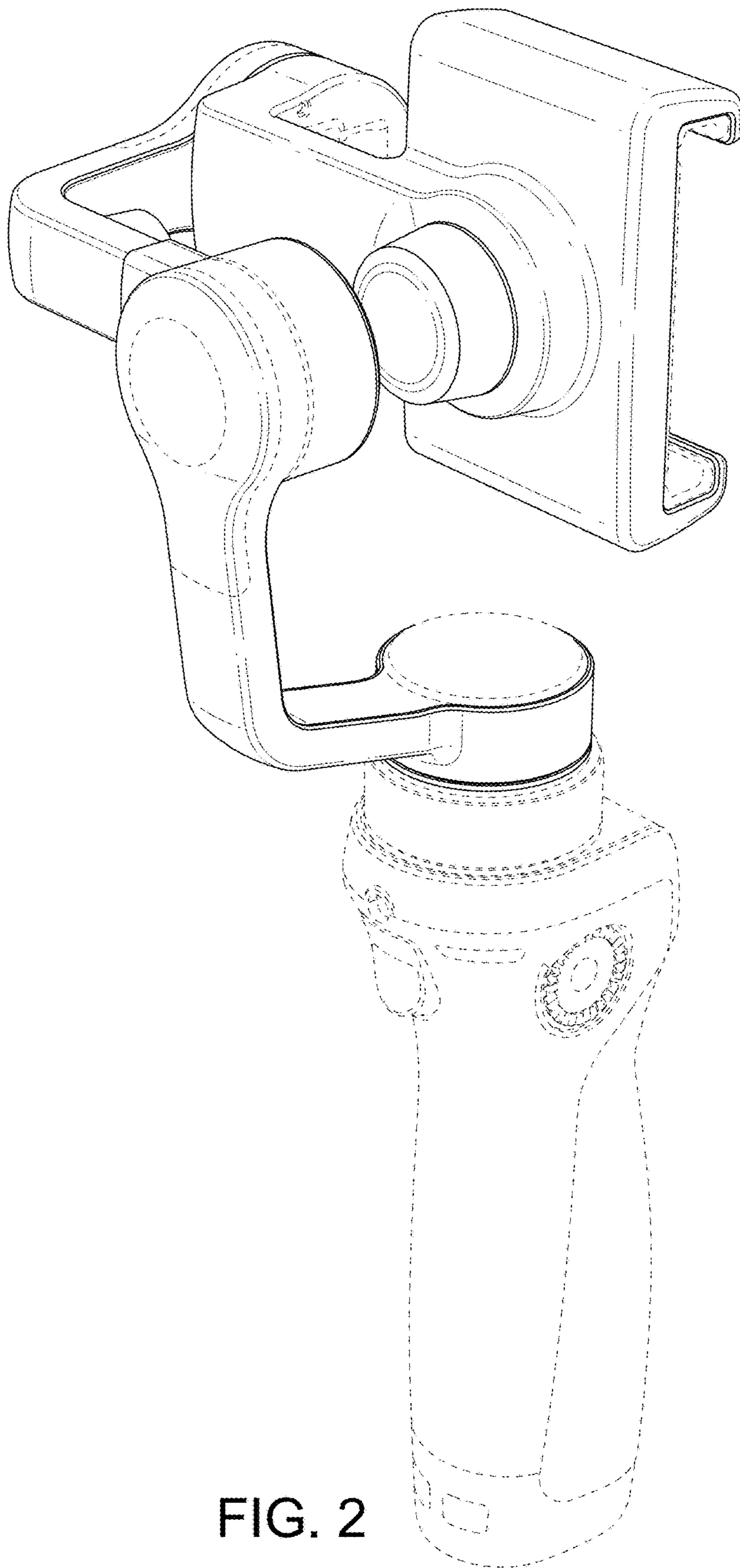


FIG. 2

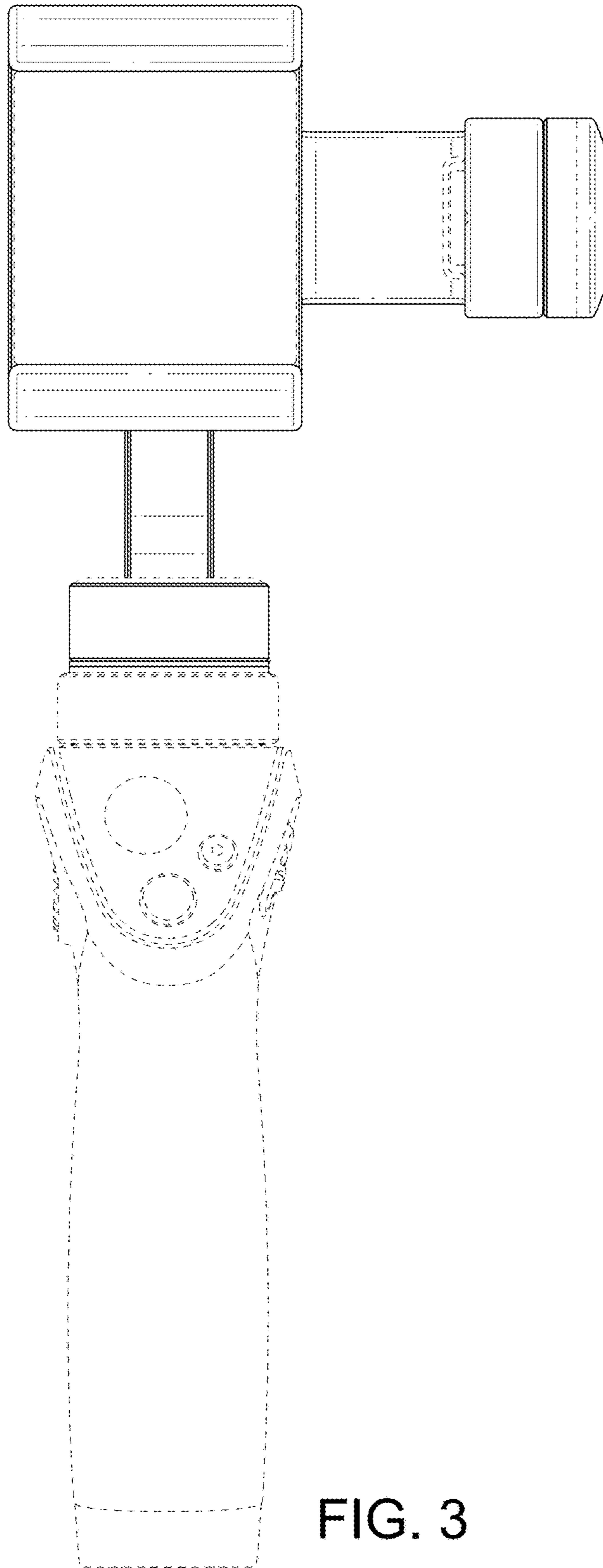


FIG. 3

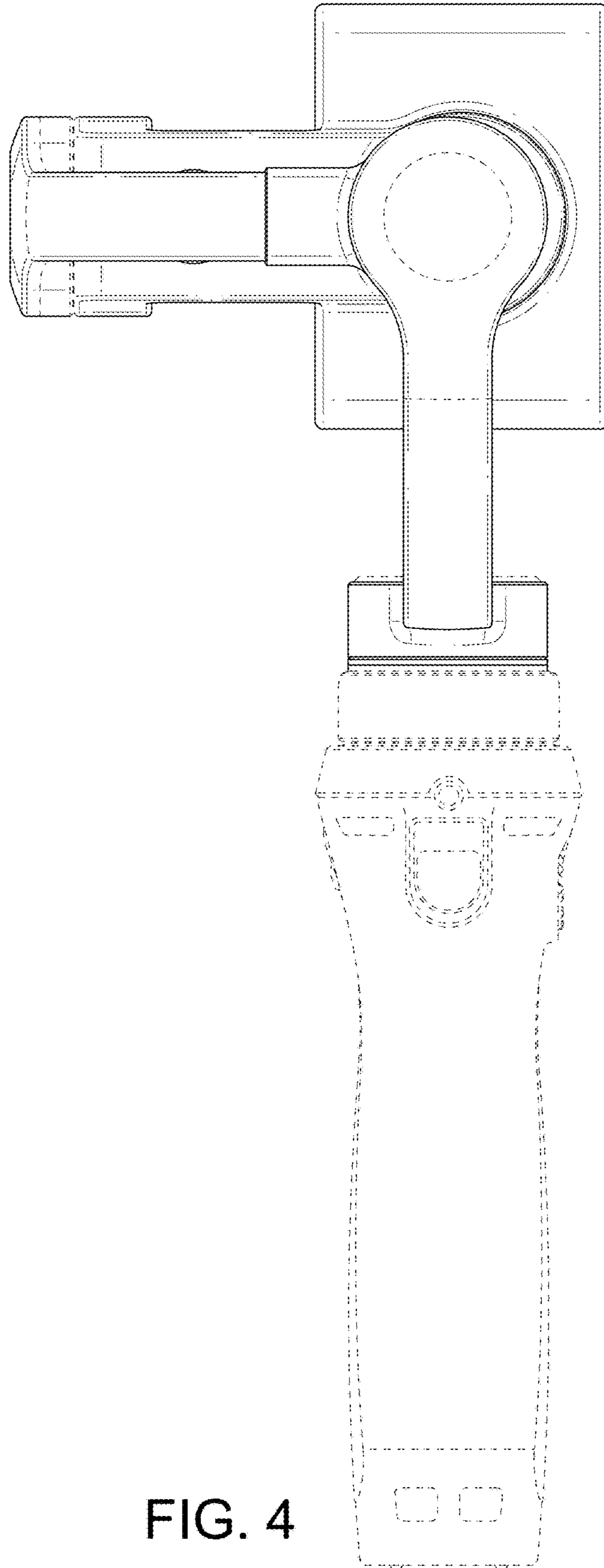


FIG. 4

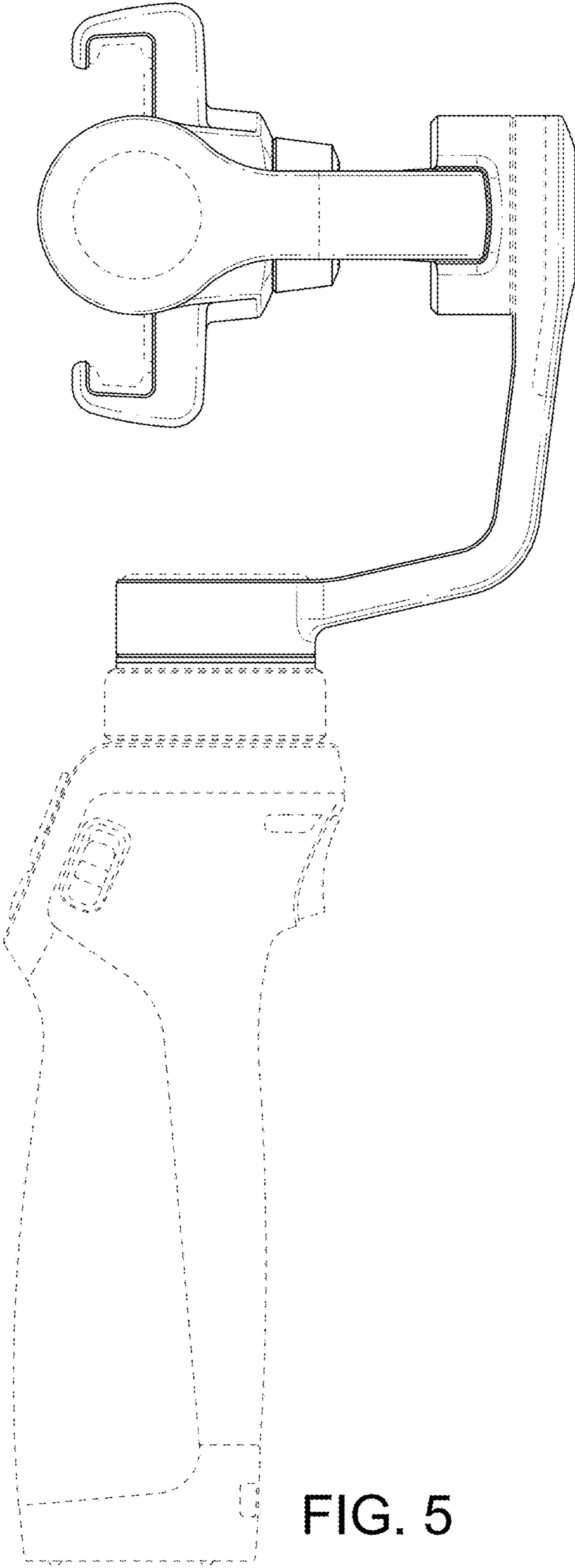


FIG. 5

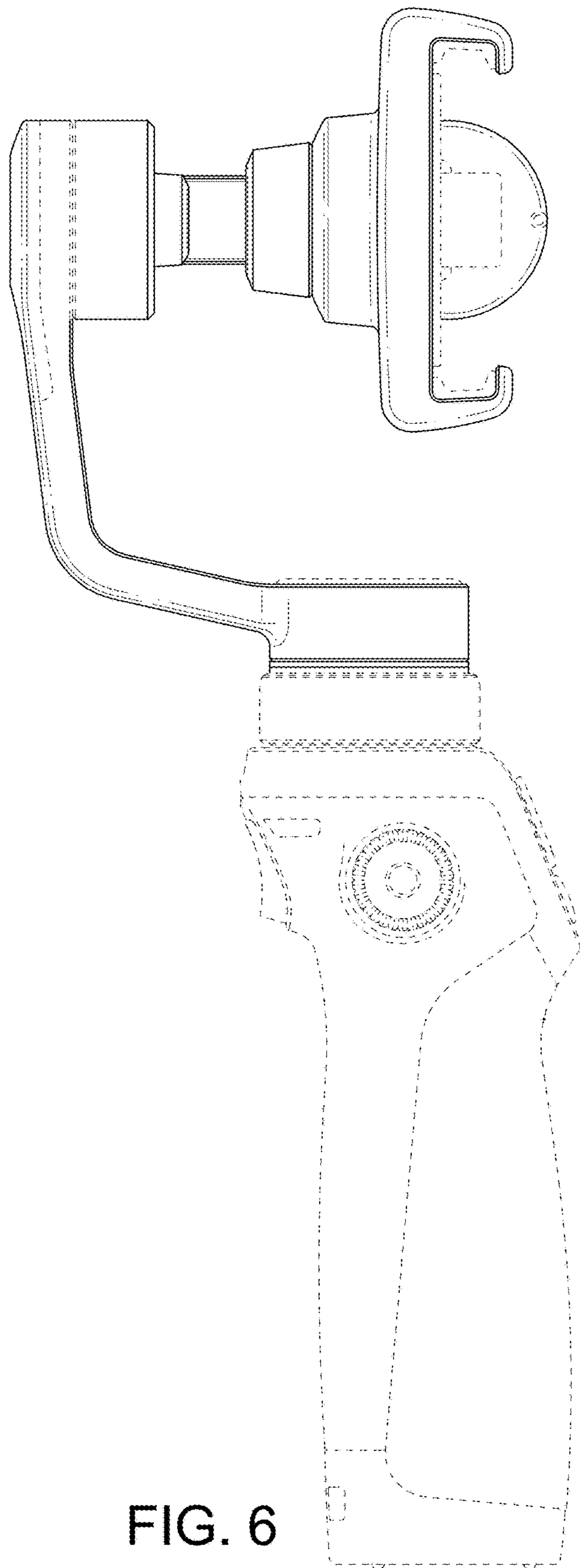


FIG. 6

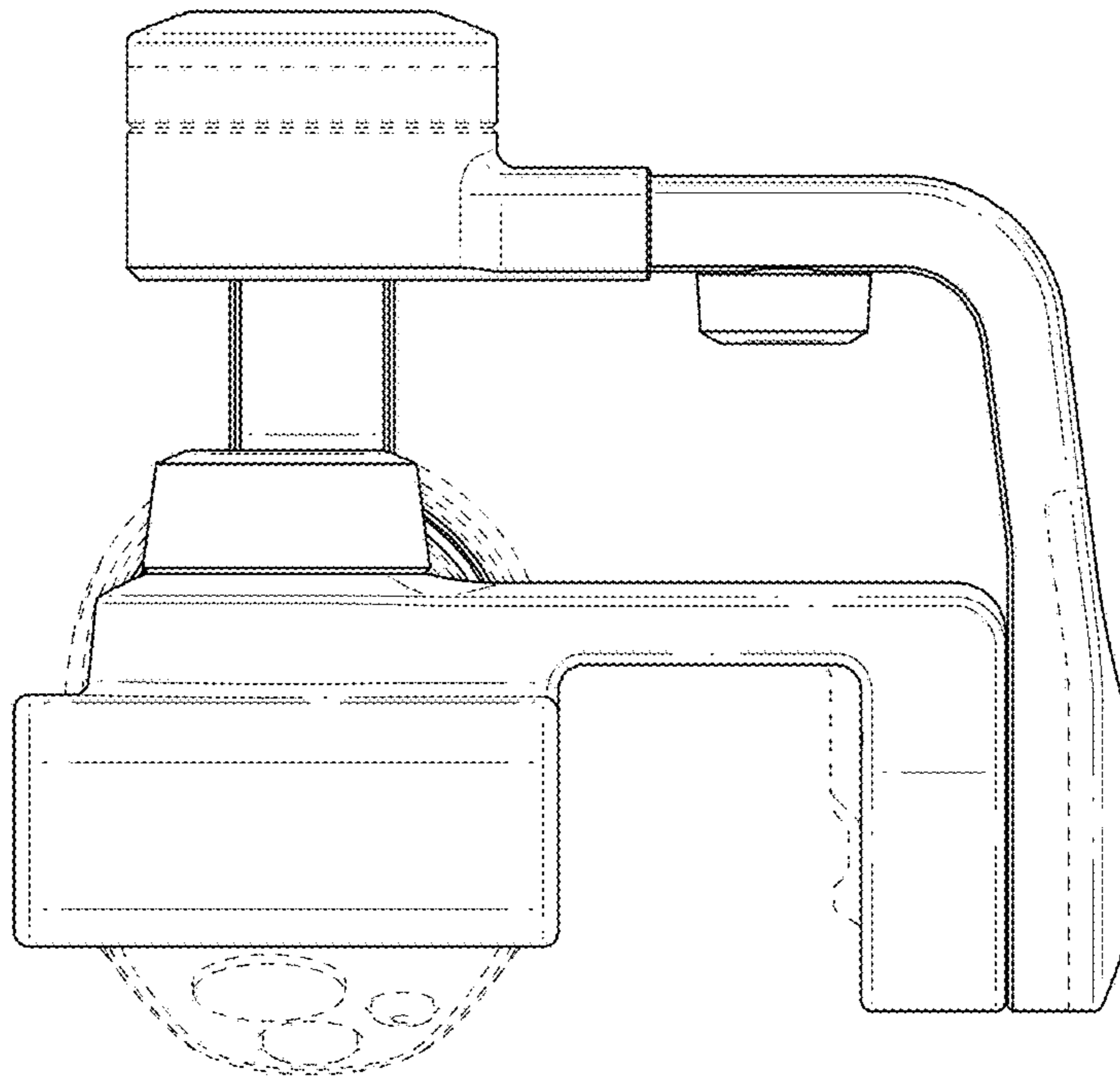


FIG. 7

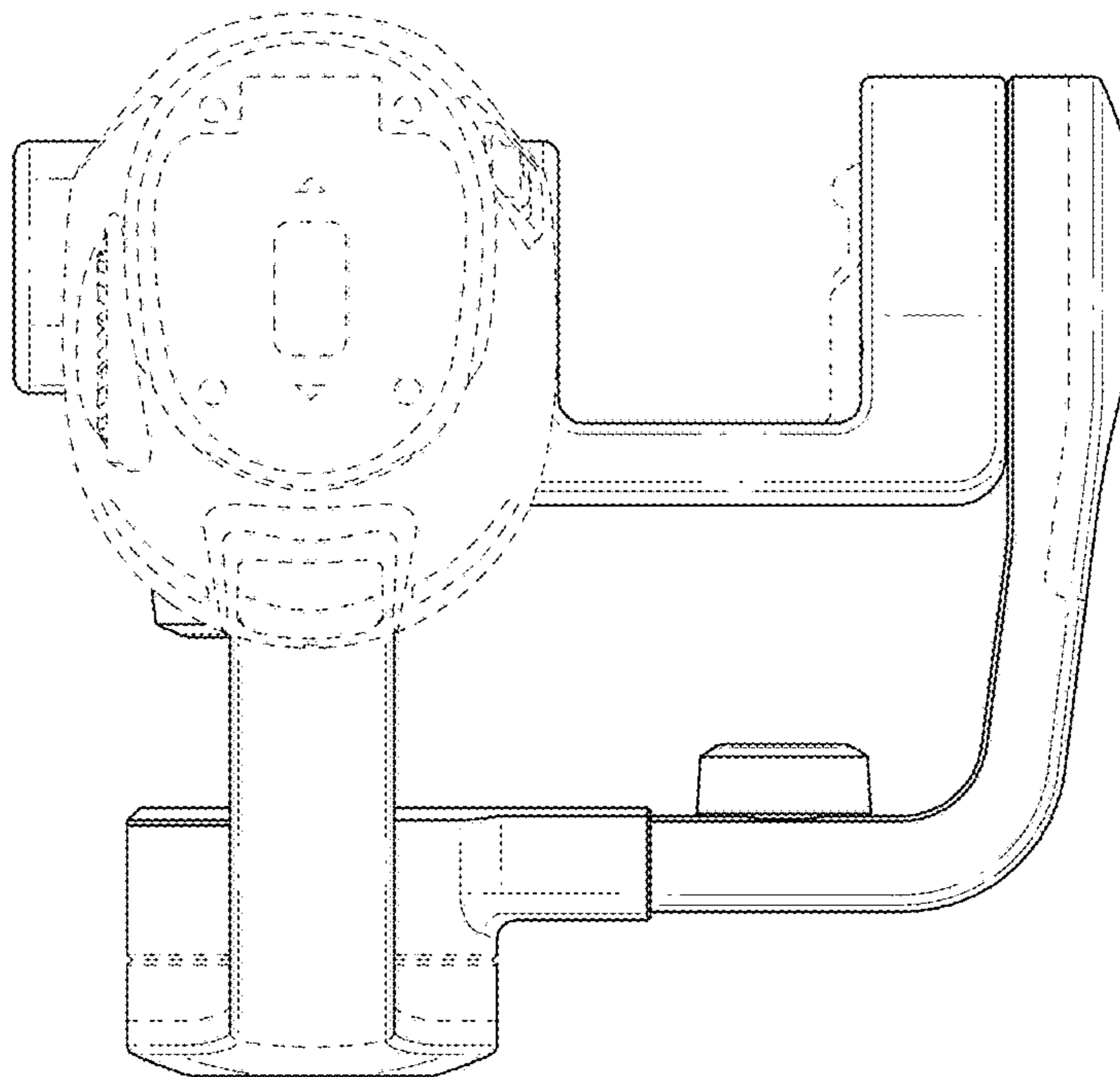


FIG. 8

UNITED STATES PATENT AND TRADEMARK OFFICE
CERTIFICATE OF CORRECTION

PATENT NO. : D799,448 S
APPLICATION NO. : 29/604544
DATED : October 10, 2017
INVENTOR(S) : Zheng et al.

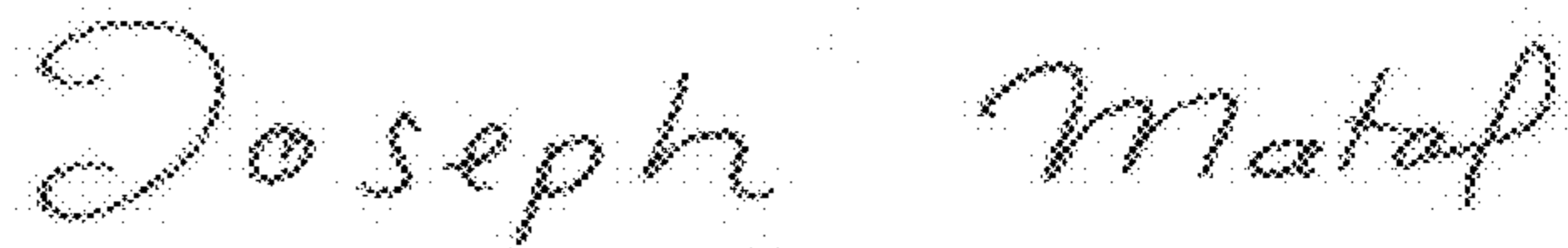
Page 1 of 1

It is certified that error appears in the above-identified patent and that said Letters Patent is hereby corrected as shown below:

On the Title Page

In the "Assignee" item (73), change "SZ DJI Ocmo Technology Co., Ltd." to --SZ DJI Osmo Technology Co., Ltd.--.

Signed and Sealed this
Ninth Day of January, 2018



Joseph Matal

*Performing the Functions and Duties of the
Under Secretary of Commerce for Intellectual Property and
Director of the United States Patent and Trademark Office*