



US00D799445S

(12) **United States Design Patent**
Carbone

(10) **Patent No.:** **US D799,445 S**

(45) **Date of Patent:** **** Oct. 10, 2017**

(54) **SATELLITE SPEAKER**

2499/11; H04R 2499/13; H04R 2499/15;
H04S 3/00; H04S 7/30

(71) Applicant: **Bose Corporation**, Framingham, MA
(US)

See application file for complete search history.

(72) Inventor: **Richard J. Carbone**, Sterling, MA
(US)

(56) **References Cited**

(73) Assignee: **Bose Corporation**, Framingham, MA
(US)

U.S. PATENT DOCUMENTS

(**) Term: **15 Years**

(21) Appl. No.: **29/549,551**

(22) Filed: **Dec. 22, 2015**

3,143,182 A *	8/1964	Sears	H04R 1/2811 181/153
D449,590 S *	10/2001	Lewis	D14/188
D560,655 S *	1/2008	Carbone	D14/211
D568,293 S *	5/2008	Sawhney	D14/214
D584,286 S *	1/2009	Kim	D14/214
D603,368 S *	11/2009	Jang	D14/194
D659,119 S *	5/2012	Brunner	D14/209.1
D660,285 S *	5/2012	Lee	D14/214
D672,748 S *	12/2012	Burlingame, III	D14/214
D718,276 S *	11/2014	Yamamoto	D14/214

Related U.S. Application Data

* cited by examiner

(62) Division of application No. 29/504,058, filed on Oct. 1, 2014, now Pat. No. Des. 746,263.

Primary Examiner — Keli L Hill

(51) **LOC (10) Cl.** **14-03**

(74) *Attorney, Agent, or Firm* — Bose Corporation

(52) **U.S. Cl.**
USPC **D14/214**

(57) **CLAIM**

The ornamental design for a satellite speaker, substantially as shown and described.

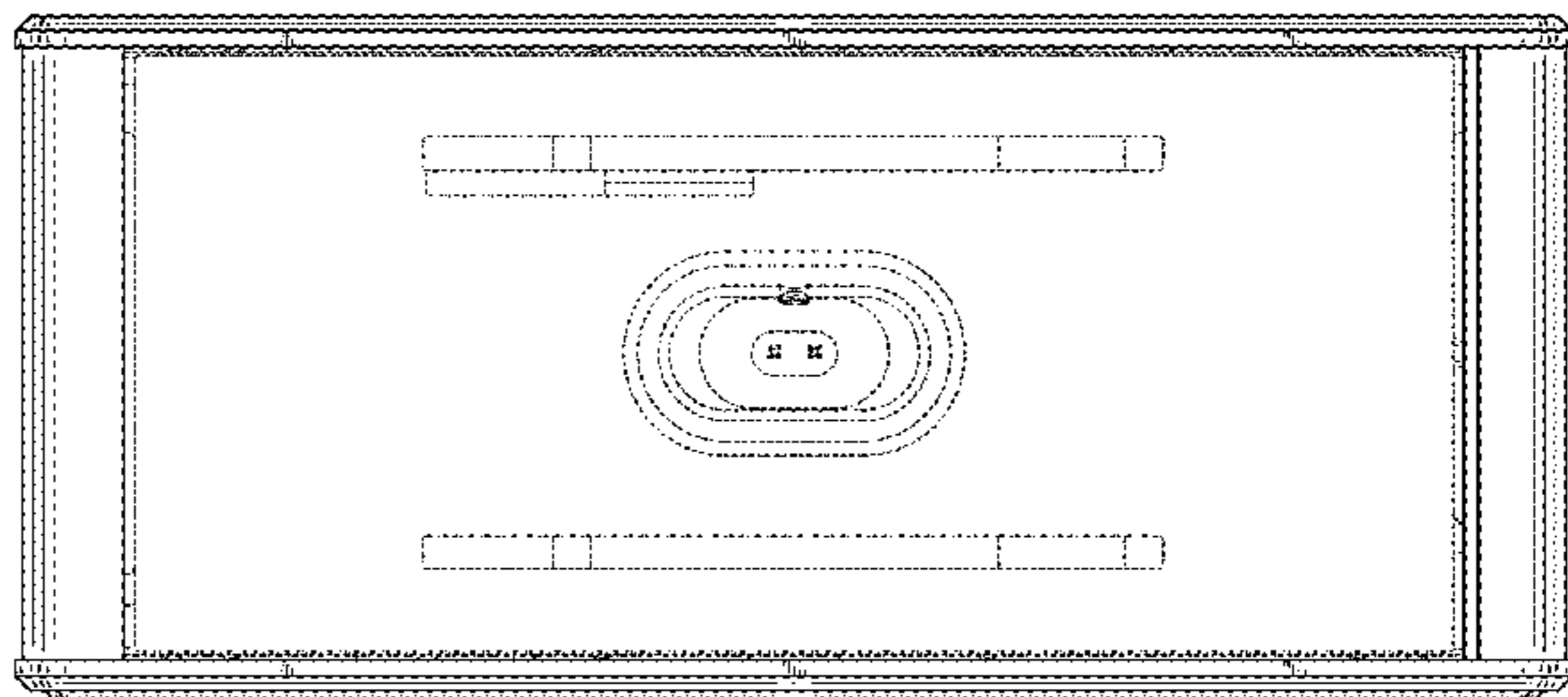
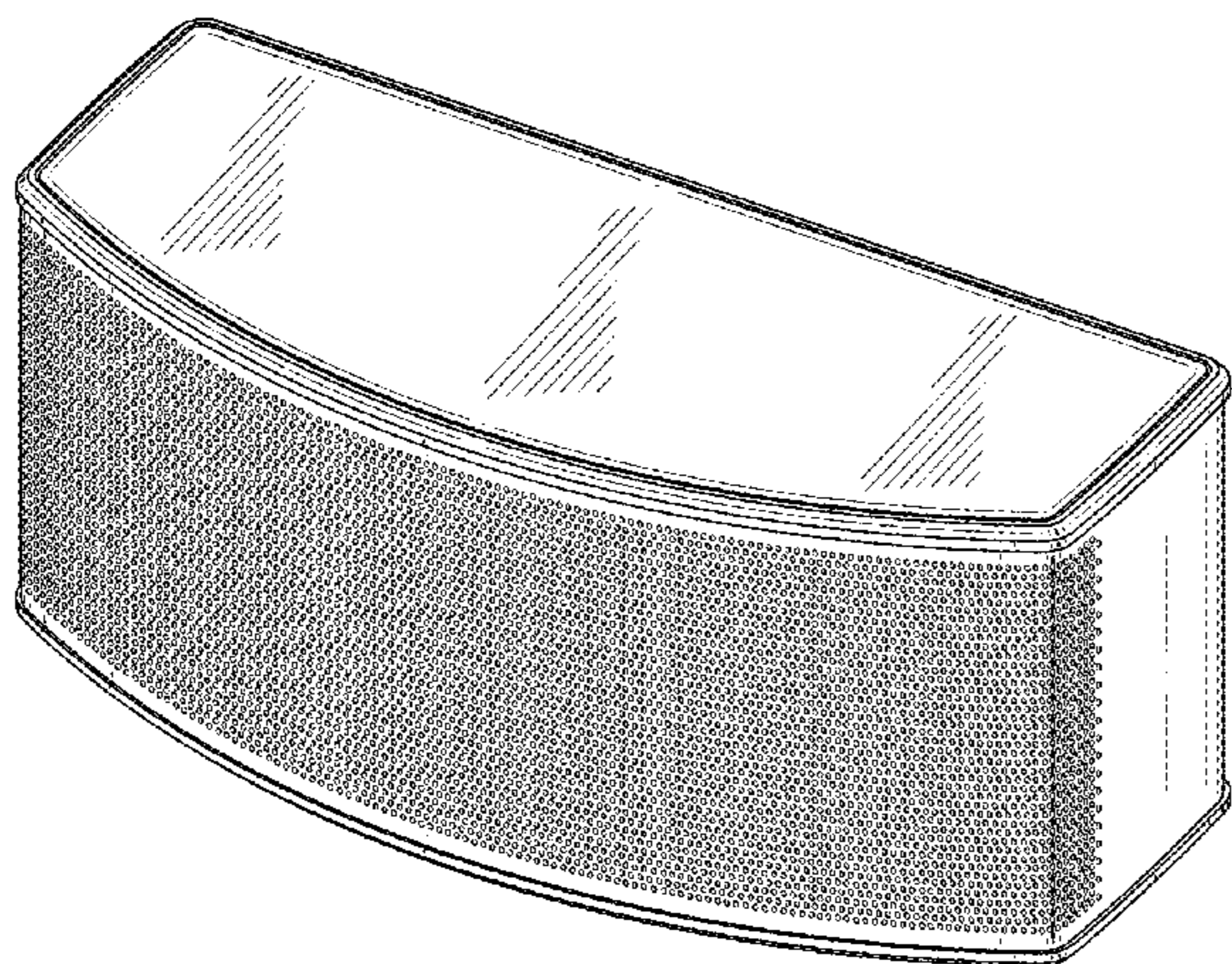
(58) **Field of Classification Search**
USPC D14/167, 168, 170–172, 188, 194–196,
D14/204, 207, 209.1, 210–216, 219, 221,
D14/222, 224, 496; 181/143, 144, 147,
181/148, 150, 153, 157, 198, 199;
381/300–303, 306, 332, 333, 336, 345,
381/361–364, 386–388; 369/6–12
CPC B60R 11/0217; G06F 1/1688; H04M 1/03;
H04M 1/035; H04R 1/02; H04R 1/06;
H04R 1/021; H04R 1/025; H04R 1/026;
H04R 1/028; H04R 1/105; H04R 1/323;
H04R 1/403; H04R 1/2803; H04R
1/2834; H04R 5/02; H04R 7/20; H04R
9/06; H04R 9/025; H04R 2201/021;
H04R 2400/00; H04R 2201/07; H04R

DESCRIPTION

FIG. 1 is a perspective view of a satellite speaker as seen from the front, top and side;
FIG. 2 is a top view thereof;
FIG. 3 is a front view thereof;
FIG. 4 is a bottom view thereof;
FIG. 5 is a back view thereof;
FIG. 6 is an opposite side view thereof; and,
FIG. 7 is a side view thereof.

The dotted line portions of the drawings represent environmental structure only and form no part of the claimed design.

1 Claim, 4 Drawing Sheets



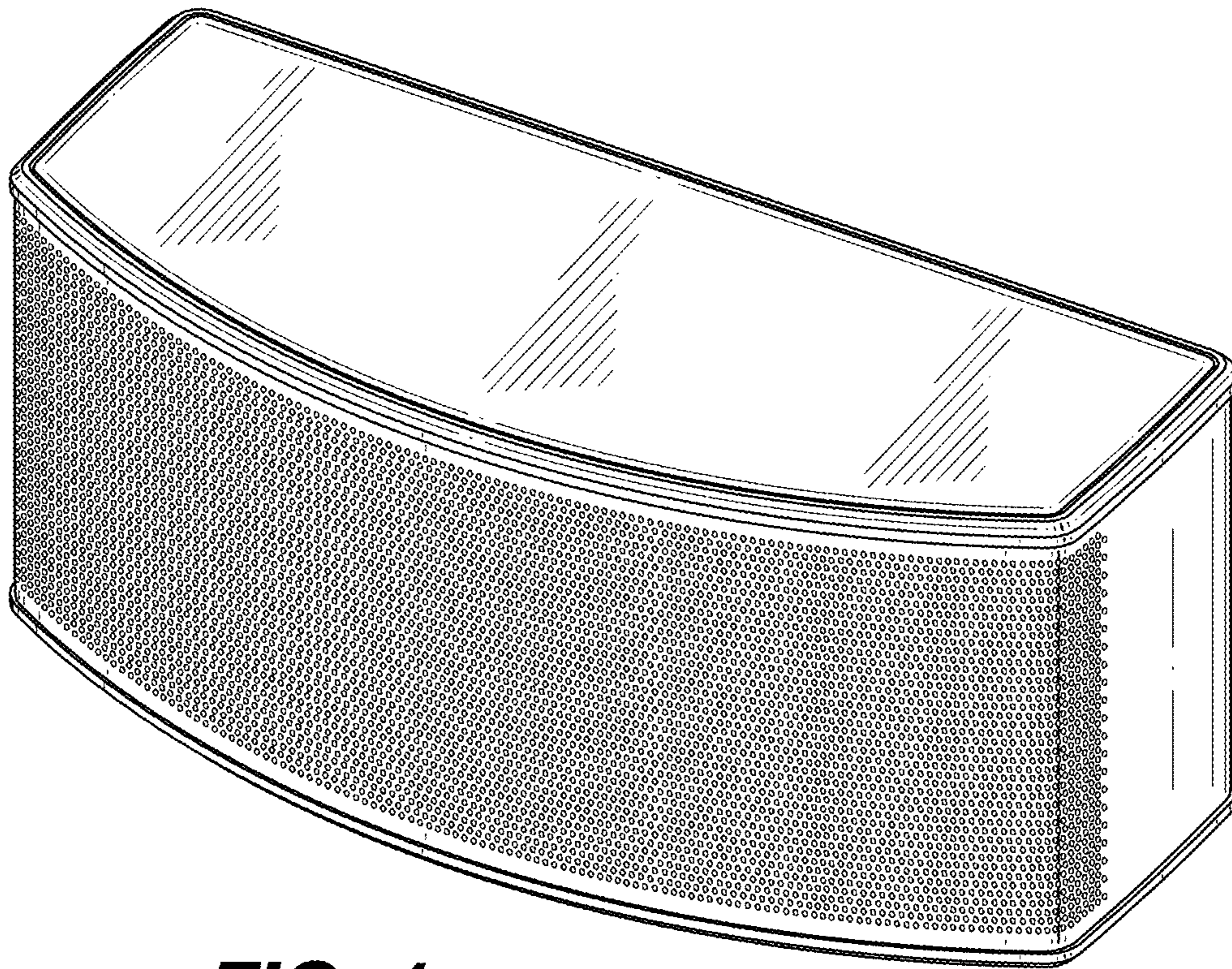


FIG. 1

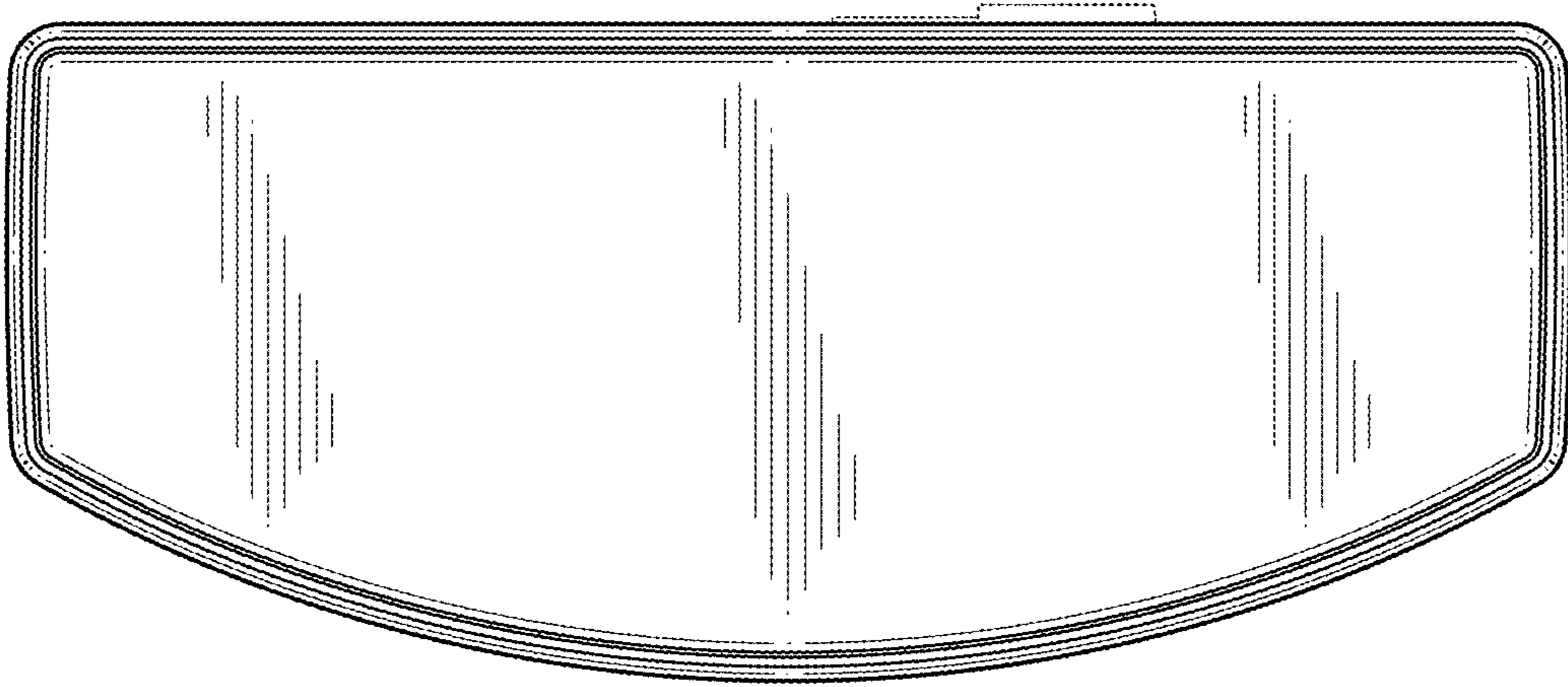


FIG. 2

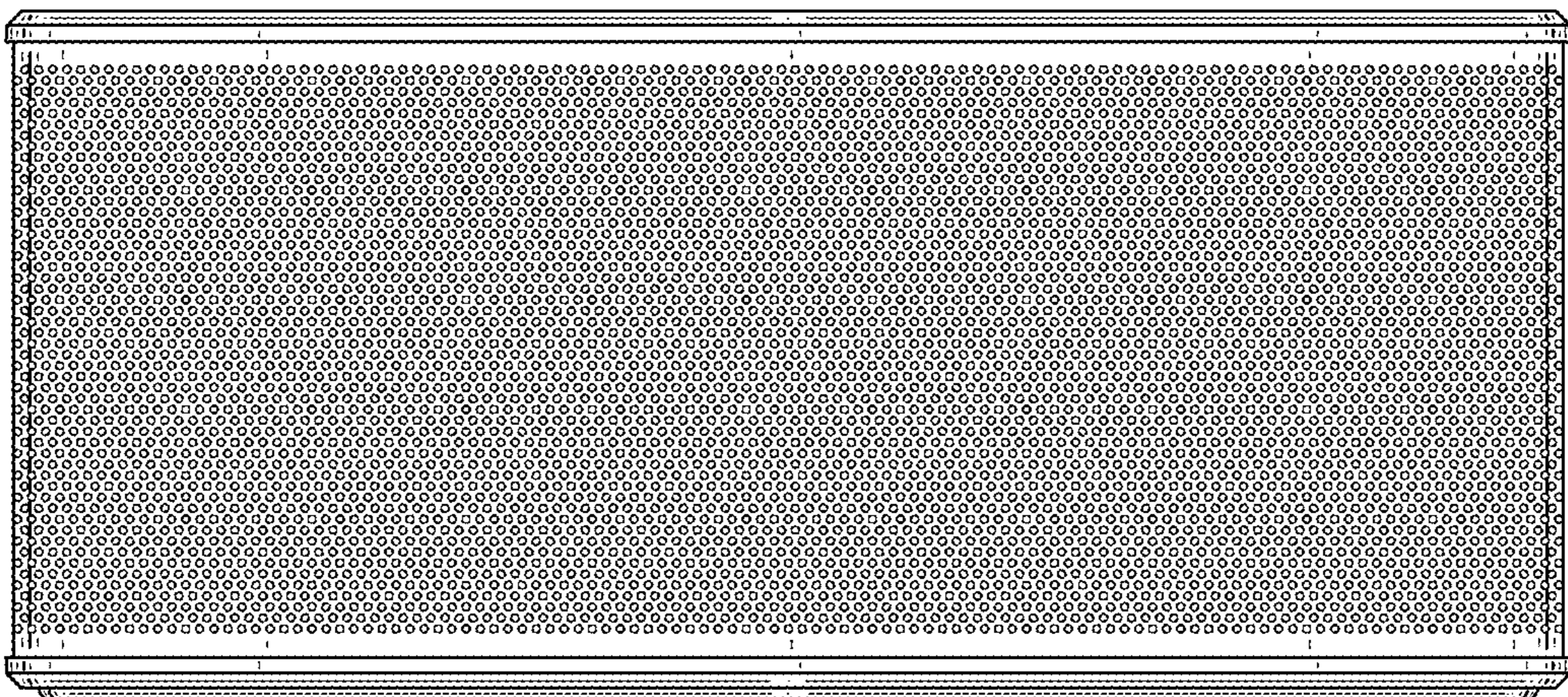


FIG. 3

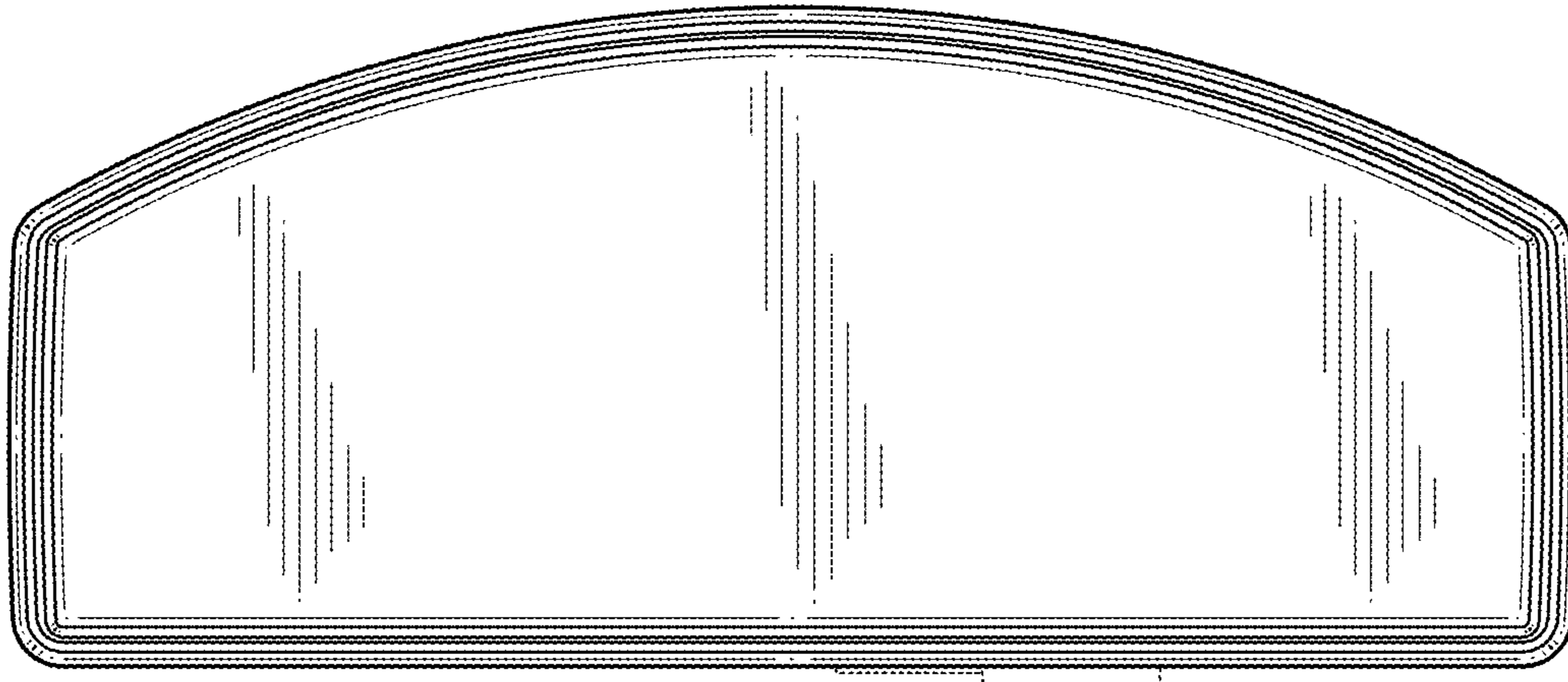


FIG. 4

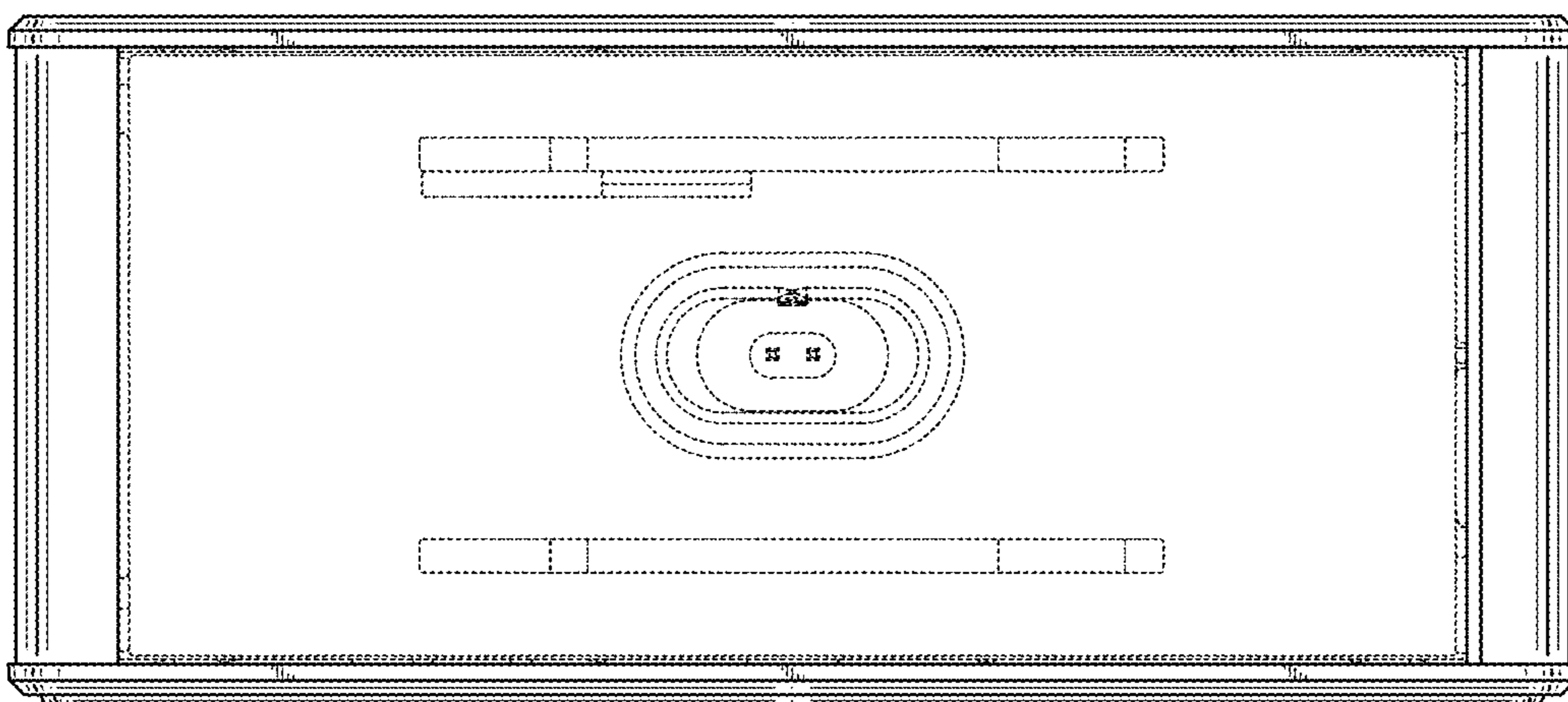


FIG. 5

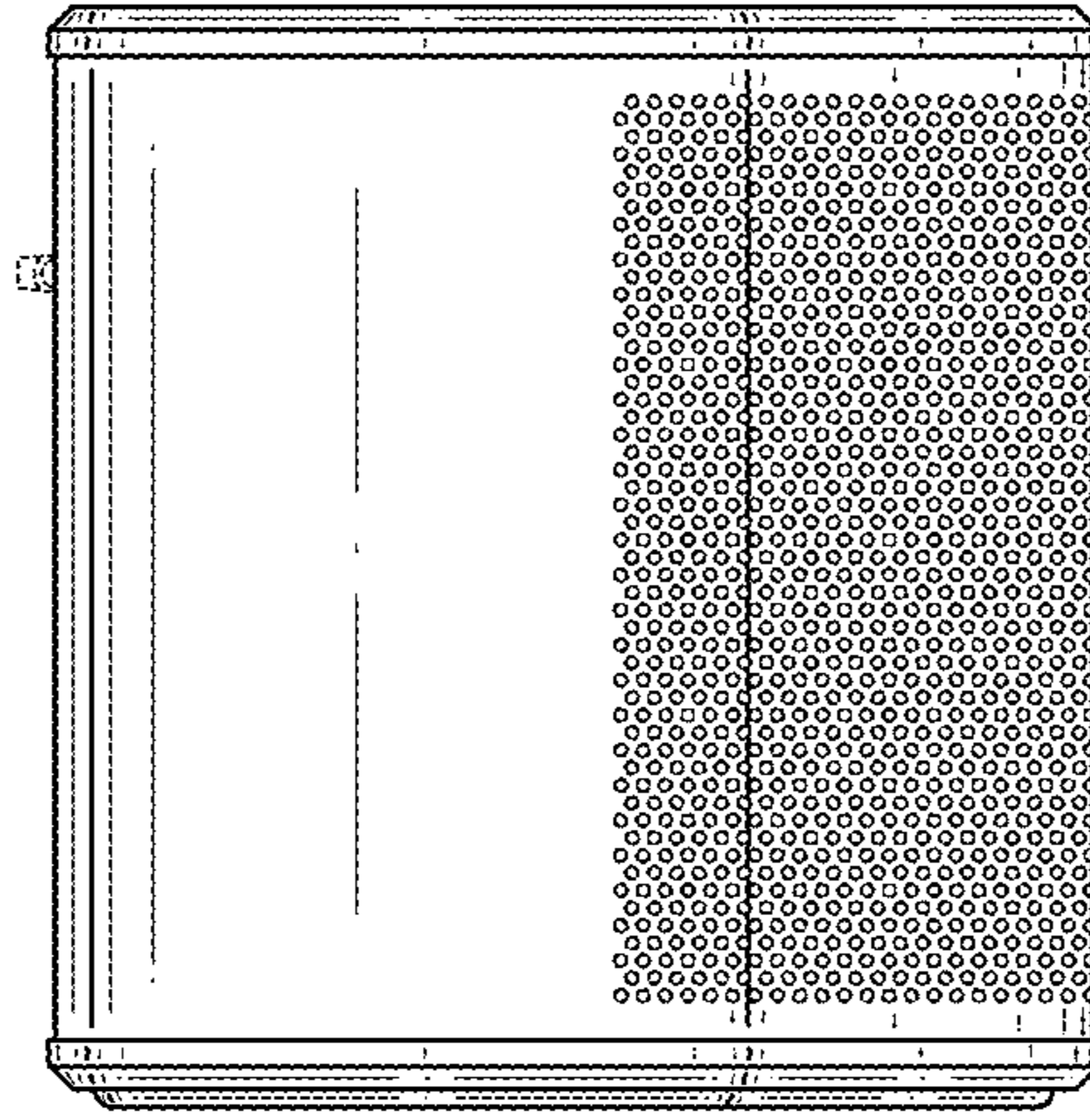


FIG. 6

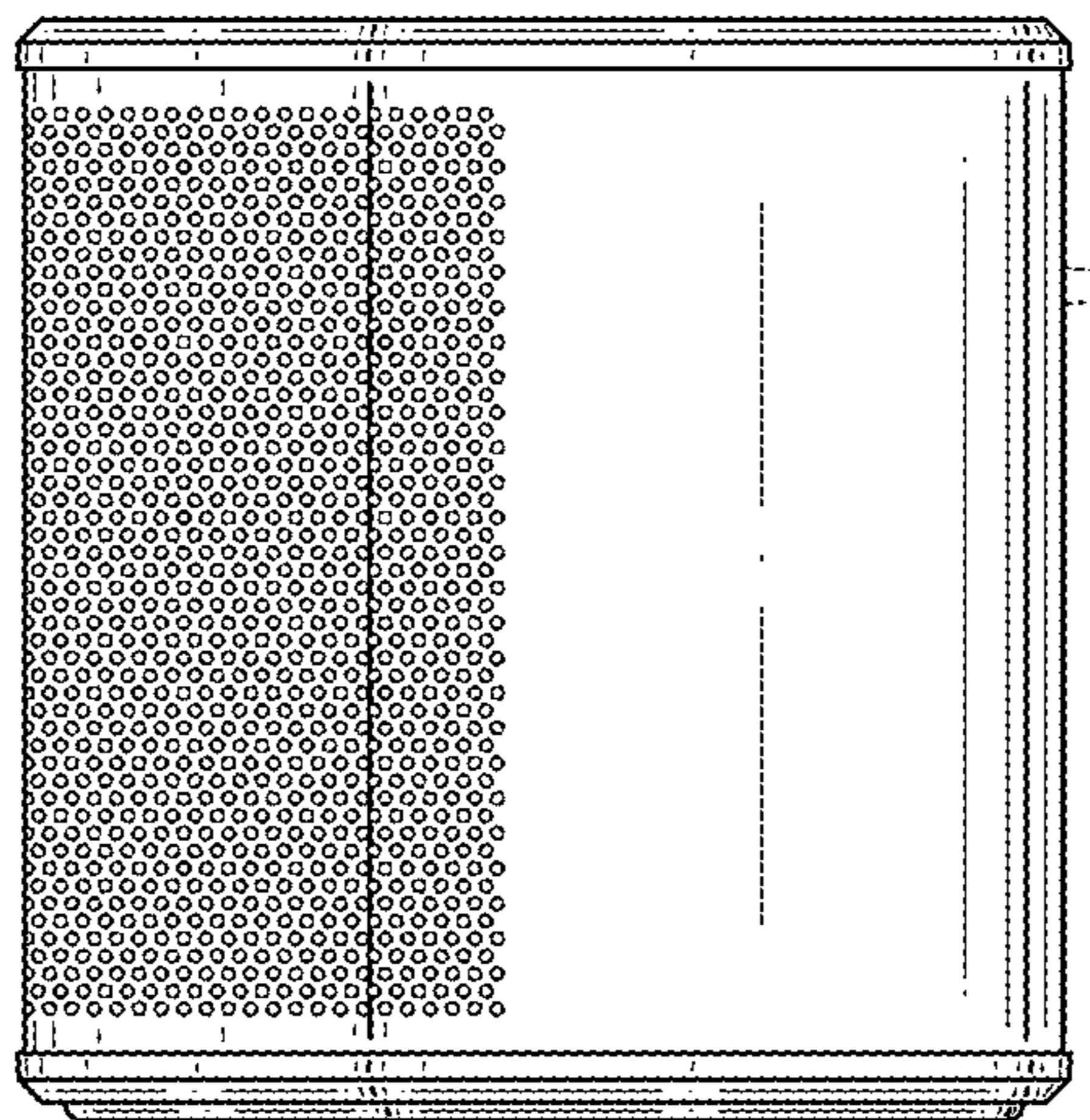


FIG. 7