



US00D799443S

(12) **United States Design Patent** (10) **Patent No.:** **US D799,443 S**
Park et al. (45) **Date of Patent:** **** Oct. 10, 2017**

(54) **TELEVISION**

(71) Applicant: **Samsung Electronics Co., Ltd.**,
Suwon-si (KR)

(72) Inventors: **Sangyong Park**, Bucheon-si (KR);
Sungjin Ann, Seoul (KR); **Kihong Kim**,
Goyang-si (KR)

(73) Assignee: **Samsung Electronics Co., Ltd.**,
Suwon-si (KR)

(**) Term: **15 Years**

(21) Appl. No.: **29/569,590**

(22) Filed: **Jun. 29, 2016**

(30) **Foreign Application Priority Data**

Apr. 29, 2016 (KR) 30-2016-0020697

(51) **LOC (10) Cl.** **14-03**

(52) **U.S. Cl.**
USPC **D14/126**

(58) **Field of Classification Search**

USPC D14/125-134, 239, 371, 136, 374-377,
D14/440, 450, 448, 336, 342, 159;
312/7.2; 348/836, 838, 180, 184, 325,
348/739; 248/917-924, 465; 345/104,
345/133, 156, 168, 87, 173; D21/329,
D21/515, 577, 622, 333, 433, 448, 452,
D21/450, 331, 505; D10/15, 26;
446/484, 175, 356; D6/477, 479, 300;
D20/10, 19, 39; D16/203, 241; 160/24
CPC G06F 1/1601; G06F 1/1643; G06F 1/1652;
G06F 1/1647; G06F 3/0412; H05K
5/0004; H05K 5/0017; H05K 5/02; H05K
5/0217

See application file for complete search history.

(56) **References Cited**

U.S. PATENT DOCUMENTS

D555,122 S 11/2007 Solomon et al.
D680,106 S * 4/2013 Hwangbo D14/239
D716,244 S * 10/2014 Kim D14/126
D727,865 S * 4/2015 Moon D14/126
D729,755 S 5/2015 McManigal et al.
D748,596 S * 2/2016 McManigal D14/126
D749,532 S * 2/2016 McManigal D14/126
D751,519 S * 3/2016 Ma D14/126
D757,667 S * 5/2016 Yokota D14/126

FOREIGN PATENT DOCUMENTS

KR 30-2014-0000759 8/2014

* cited by examiner

Primary Examiner — Randall Gholson

(74) *Attorney, Agent, or Firm* — NSIP Law

(57) **CLAIM**

We claim the ornamental design for a television, as shown and described.

DESCRIPTION

FIG. 1 is a front perspective view of a television showing our new design;
 FIG. 2 is a front view thereof;
 FIG. 3 is a rear view thereof;
 FIG. 4 is a left-side view thereof;
 FIG. 5 is a right-side view thereof;
 FIG. 6 is a top view thereof;
 FIG. 7 is a bottom view thereof; and,
 FIG. 8 is a rear perspective view thereof.
 The broken lines in the figures depict environmental subject matter and form no part of the claimed design.

1 Claim, 6 Drawing Sheets

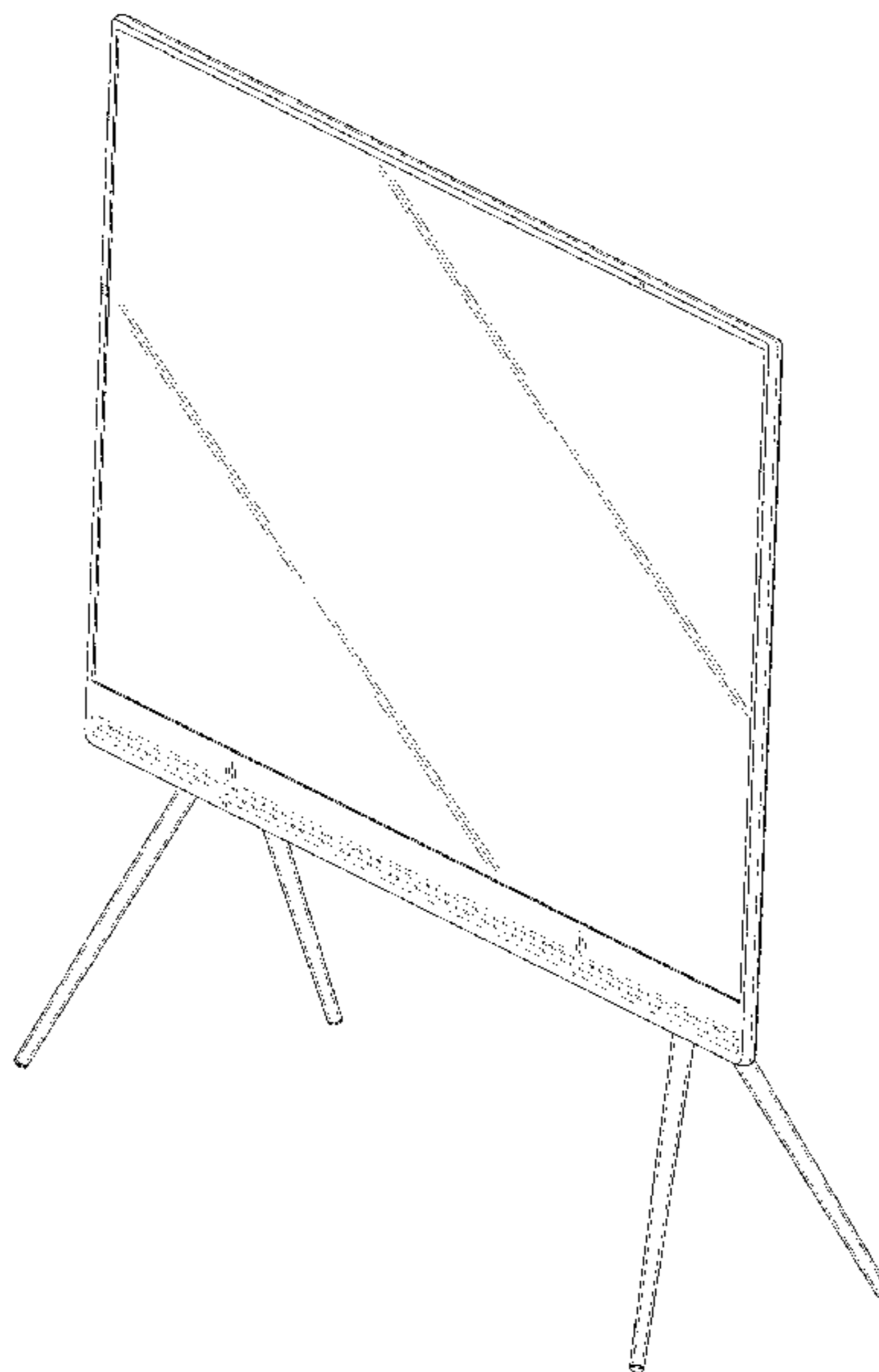


FIG. 1

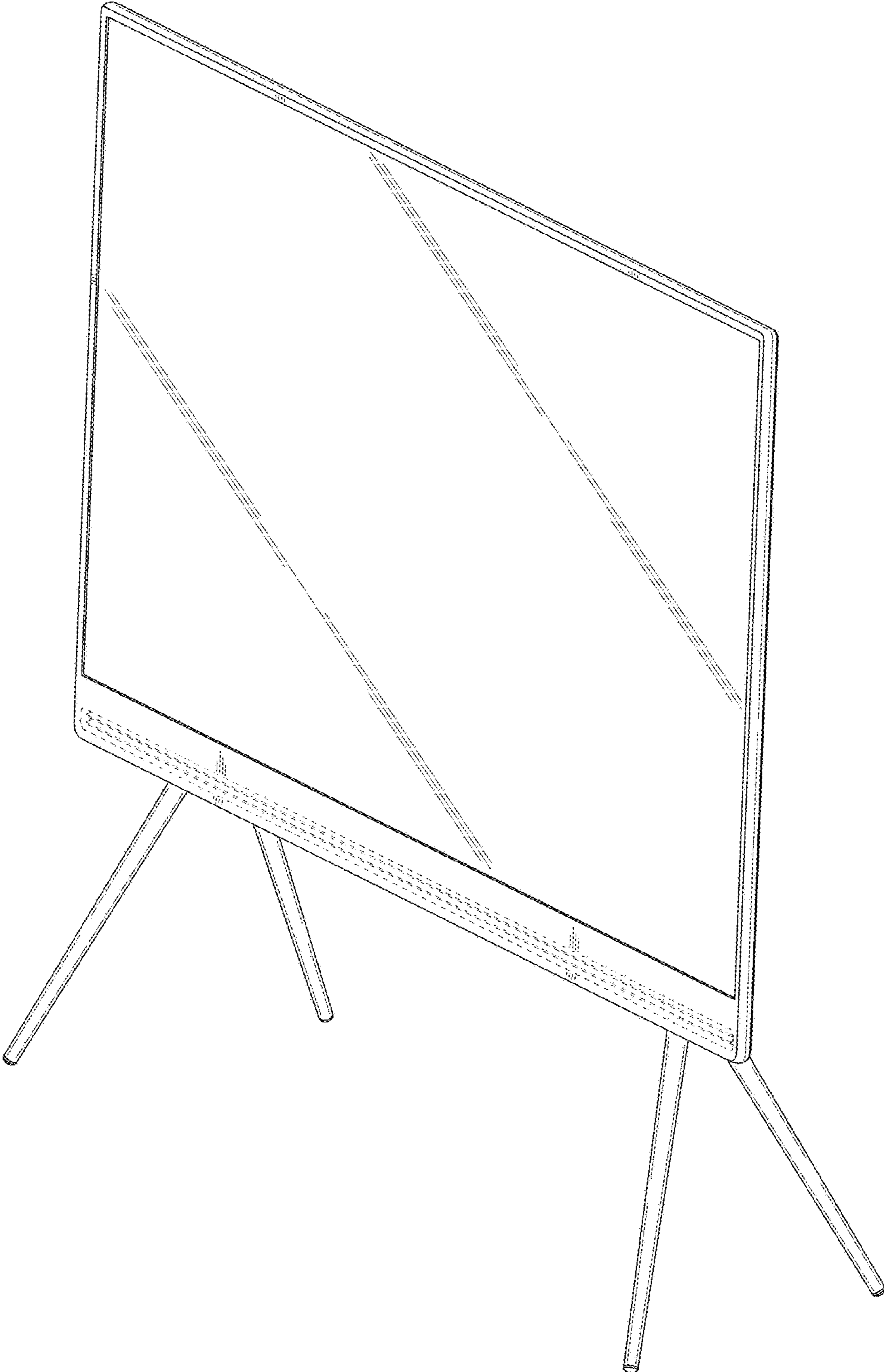


FIG. 2

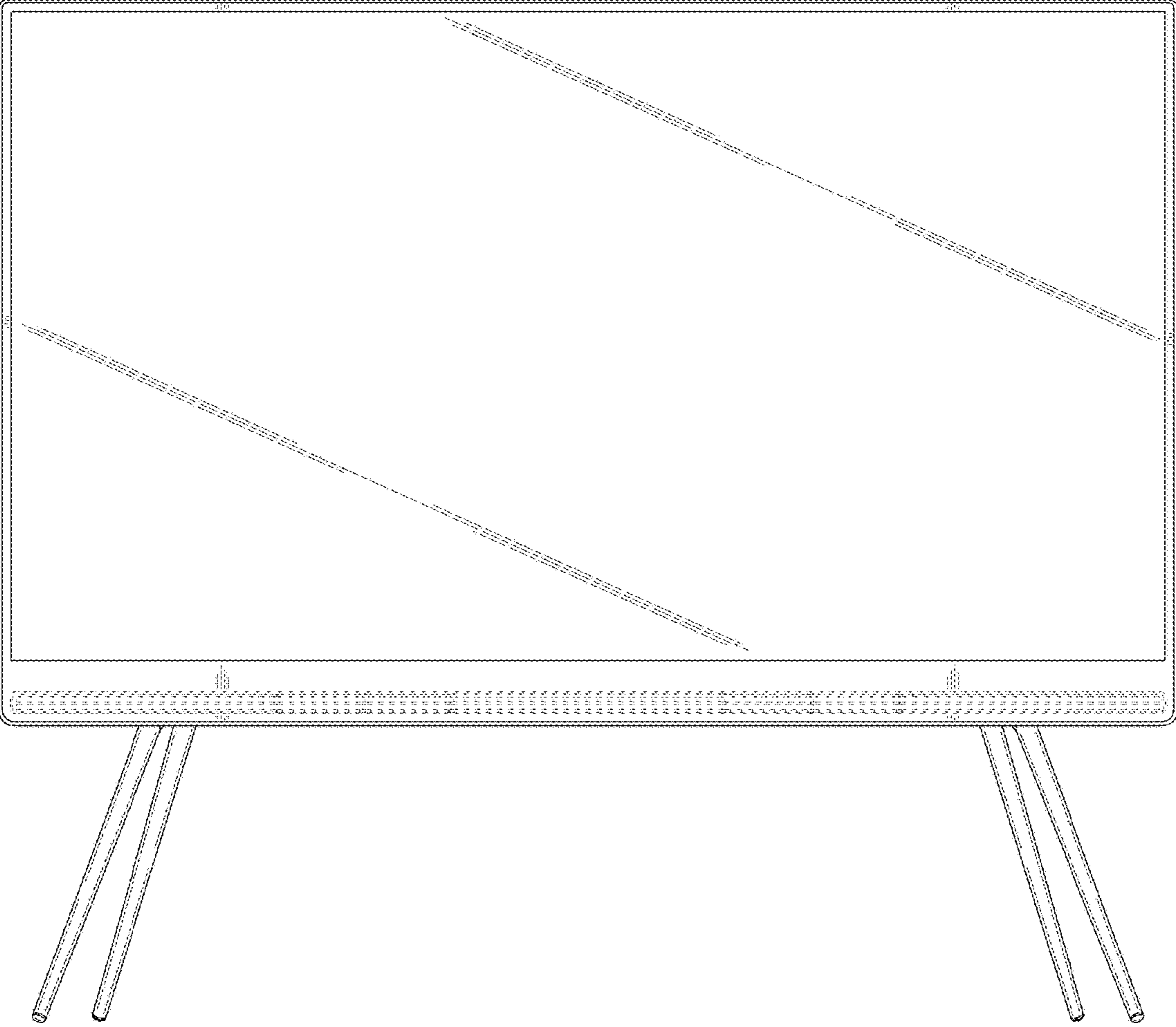


FIG. 3

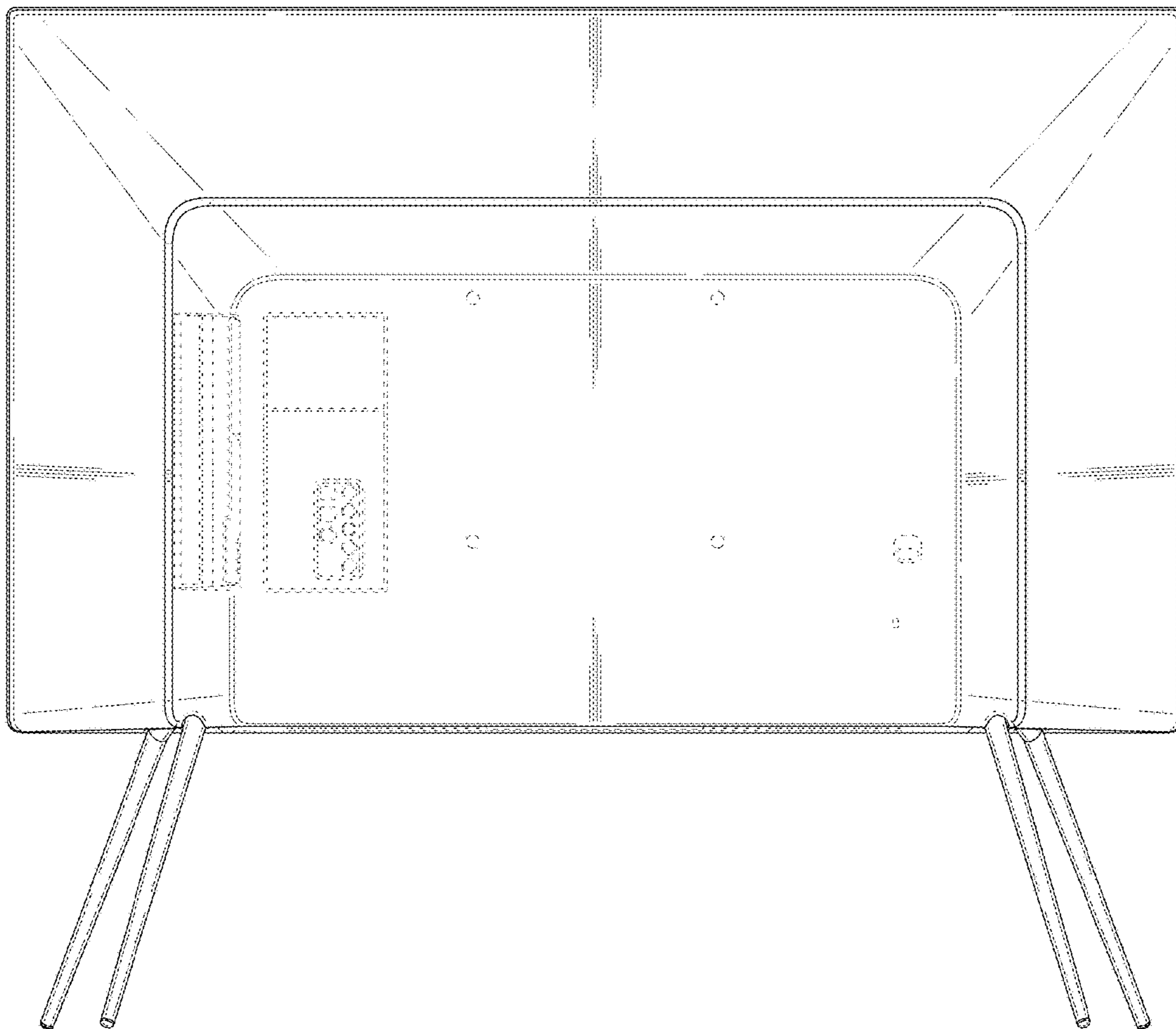


FIG. 4

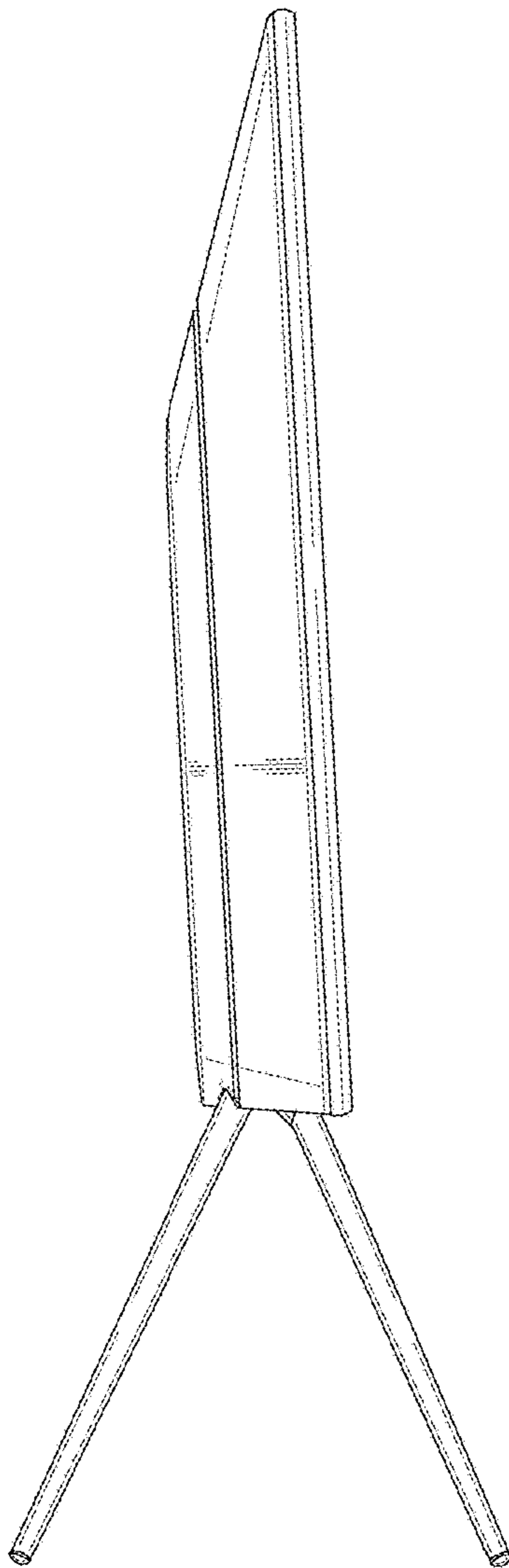


FIG. 5

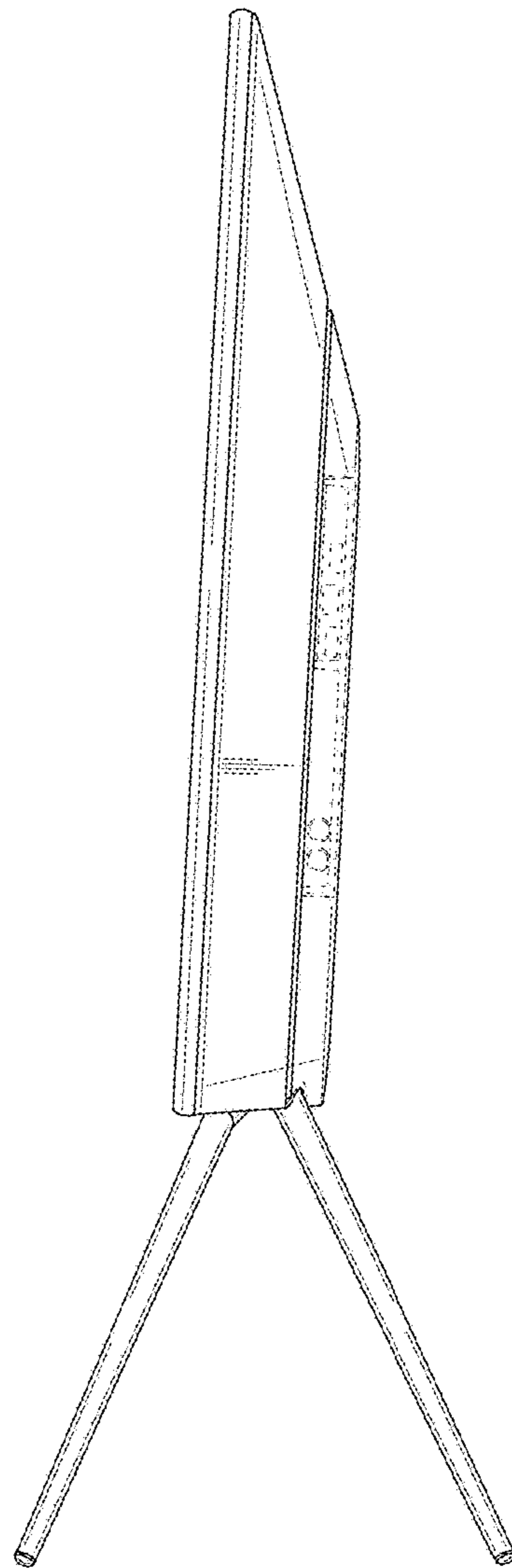


FIG. 6

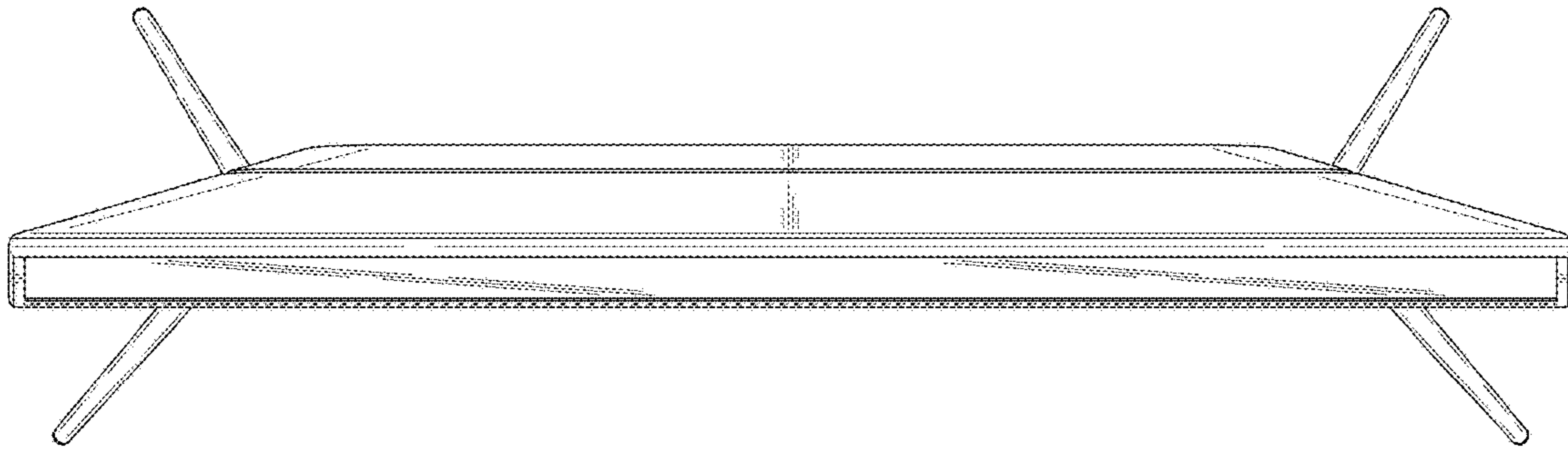


FIG. 7

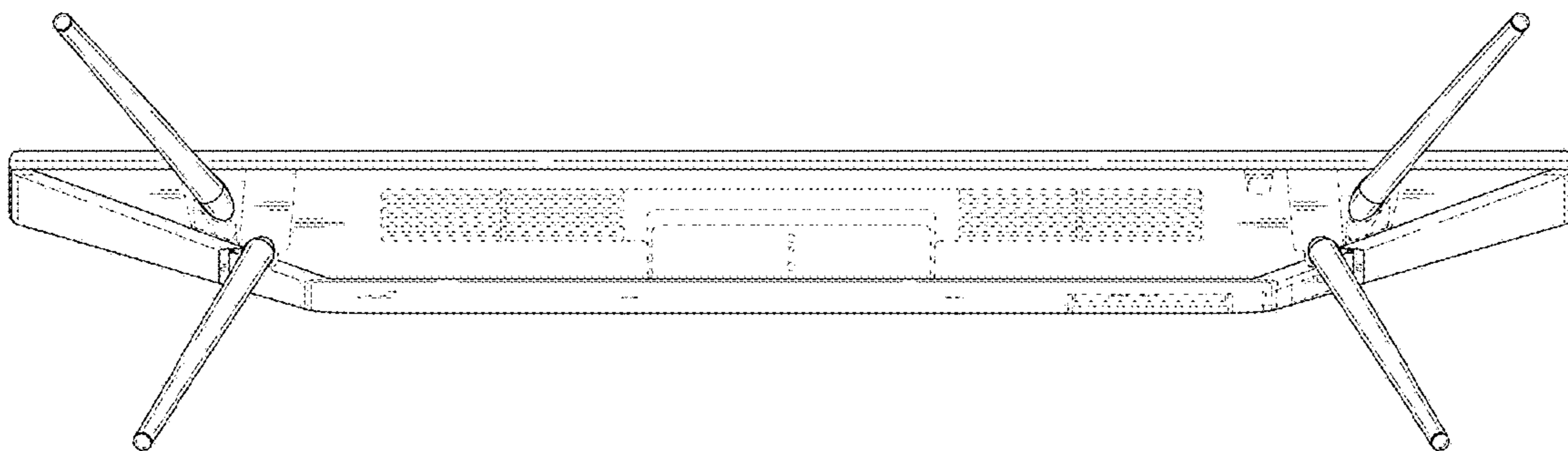


FIG. 8

