



US00D799442S

(12) **United States Design Patent** (10) **Patent No.:** **US D799,442 S**  
**Park et al.** (45) **Date of Patent:** **\*\* Oct. 10, 2017**

(54) **TELEVISION RECEIVER**

5/0004; H05K 5/0017; H05K 5/02; H05K 5/0217; H04N 13/0459

See application file for complete search history.

(71) Applicant: **SAMSUNG ELECTRONICS CO., LTD.**, Suwon-si (KR)

(56) **References Cited**

(72) Inventors: **Sang-Yong Park**, Bucheon-si (KR); **Chul-Yong Cho**, Seoul (KR); **Ki-Hong Kim**, Goyang-si (KR); **Jang-Ho Kim**, Seoul (KR)

U.S. PATENT DOCUMENTS

D555,122 S 11/2007 Solomon et al.  
D680,106 S \* 4/2013 Hwangbo ..... D14/239  
(Continued)

(73) Assignee: **Samsung Electronics Co., Ltd.**, Suwon-si (KR)

FOREIGN PATENT DOCUMENTS

EM 000594585-0001 10/2006  
EM 002371955-0004 2/2014  
KR 30-2014-0000759 9/2014

(\*\*) Term: **15 Years**

*Primary Examiner* — Randall Gholson

(21) Appl. No.: **29/569,166**

(74) *Attorney, Agent, or Firm* — NSIP Law

(22) Filed: **Jun. 24, 2016**

(57) **CLAIM**

We claim the ornamental design for a television receiver, as shown and described.

(30) **Foreign Application Priority Data**

**DESCRIPTION**

Mar. 15, 2016 (KR) ..... 30-2016-0011839

(51) **LOC (10) Cl.** ..... **14-03**

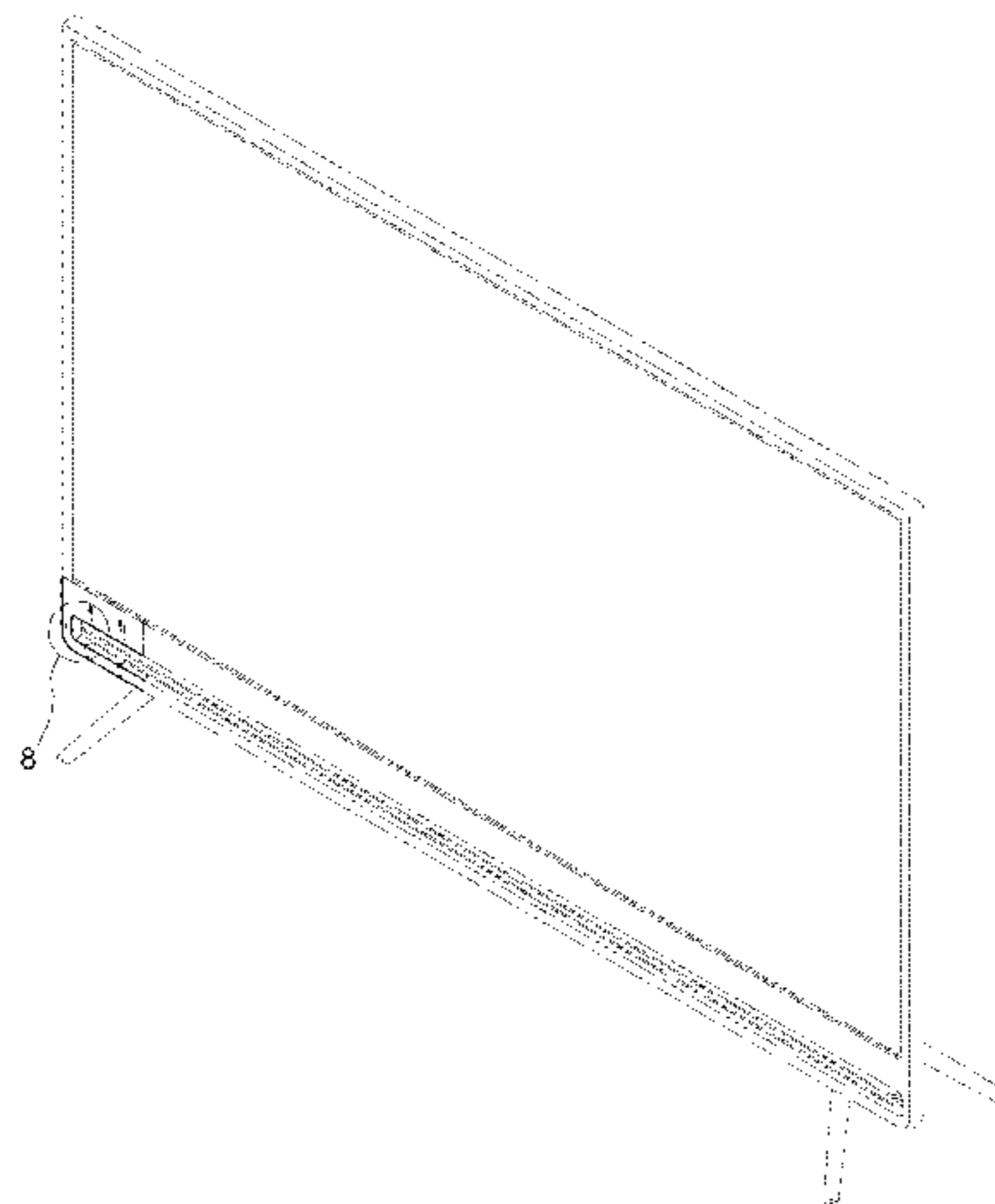
(52) **U.S. Cl.**  
USPC ..... **D14/126**

(58) **Field of Classification Search**  
USPC ..... D14/125-134, 239, 371, 136, 374-377, D14/440, 450, 448, 336, 342, 159; 312/7.2; 348/836, 838, 180, 184, 325, 348/739; 248/917-924, 465; 345/104, 345/133, 156, 168, 87, 173; D21/329, D21/515, 577, 622, 333, 433, 448, 452, D21/450, 331, 505; D10/15, 26; 446/484, 175, 356; D6/477, 479, 300; D20/10, 19, 39; D16/203, 241; 160/24  
CPC .... G06F 1/1601; G06F 1/1643; G06F 1/1652; G06F 1/1647; G06F 3/0412; H05K

FIG. 1 is a front perspective view of a television receiver showing our new design;  
FIG. 2 is a front view thereof;  
FIG. 3 is a rear view thereof;  
FIG. 4 is a left-side view thereof;  
FIG. 5 is a right-side view thereof;  
FIG. 6 is a top view thereof;  
FIG. 7 is a bottom view thereof;  
FIG. 8 is an enlarged view of the encircled portion in FIG. 1;  
FIG. 9 is an enlarged view of the encircled portion in FIG. 2; and,  
FIG. 10 is a cross-sectional view taken through line 10-10 of FIG. 2.

The broken lines in the figures depict environmental subject matter and form no part of the claimed design.  
The dot-dash broken lines in the figures represent an unclaimed boundary line and form no part of the claimed design.

(Continued)



The dot-dot-dash broken lines encircling portions of the claimed design that are illustrated in enlargements form no part of the claimed design.

**1 Claim, 8 Drawing Sheets**

(56) **References Cited**

U.S. PATENT DOCUMENTS

D716,244 S	*	10/2014	Kim .....	D14/126
D727,865 S	*	4/2015	Moon .....	D14/126
D729,755 S		5/2015	McManigal et al.	
D748,596 S	*	2/2016	McManigal .....	D14/126
D749,532 S	*	2/2016	McManigal .....	D14/126
D751,519 S	*	3/2016	Ma .....	D14/126
D757,667 S	*	5/2016	Yokota .....	D14/126

\* cited by examiner

FIG. 1

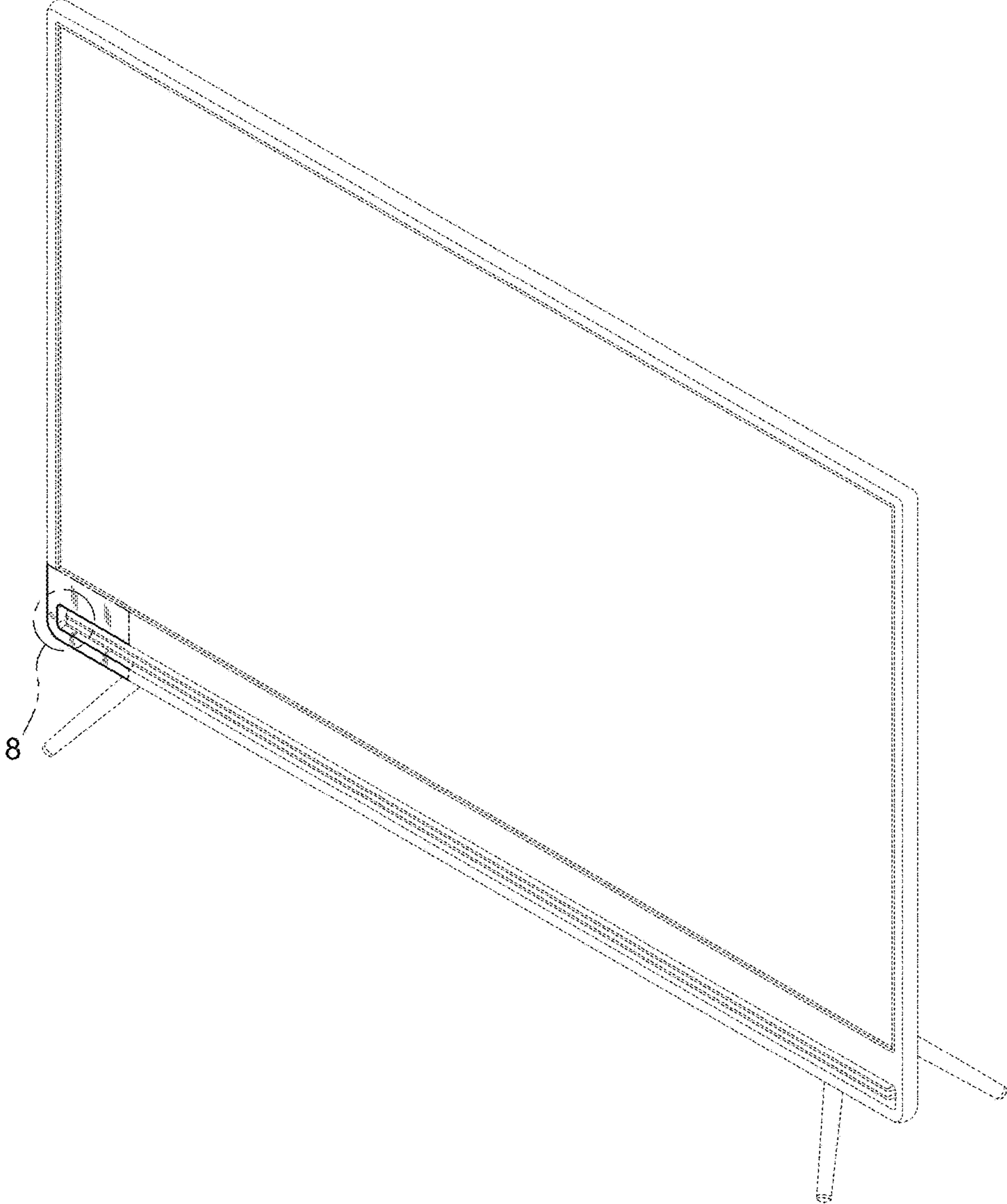


FIG. 2

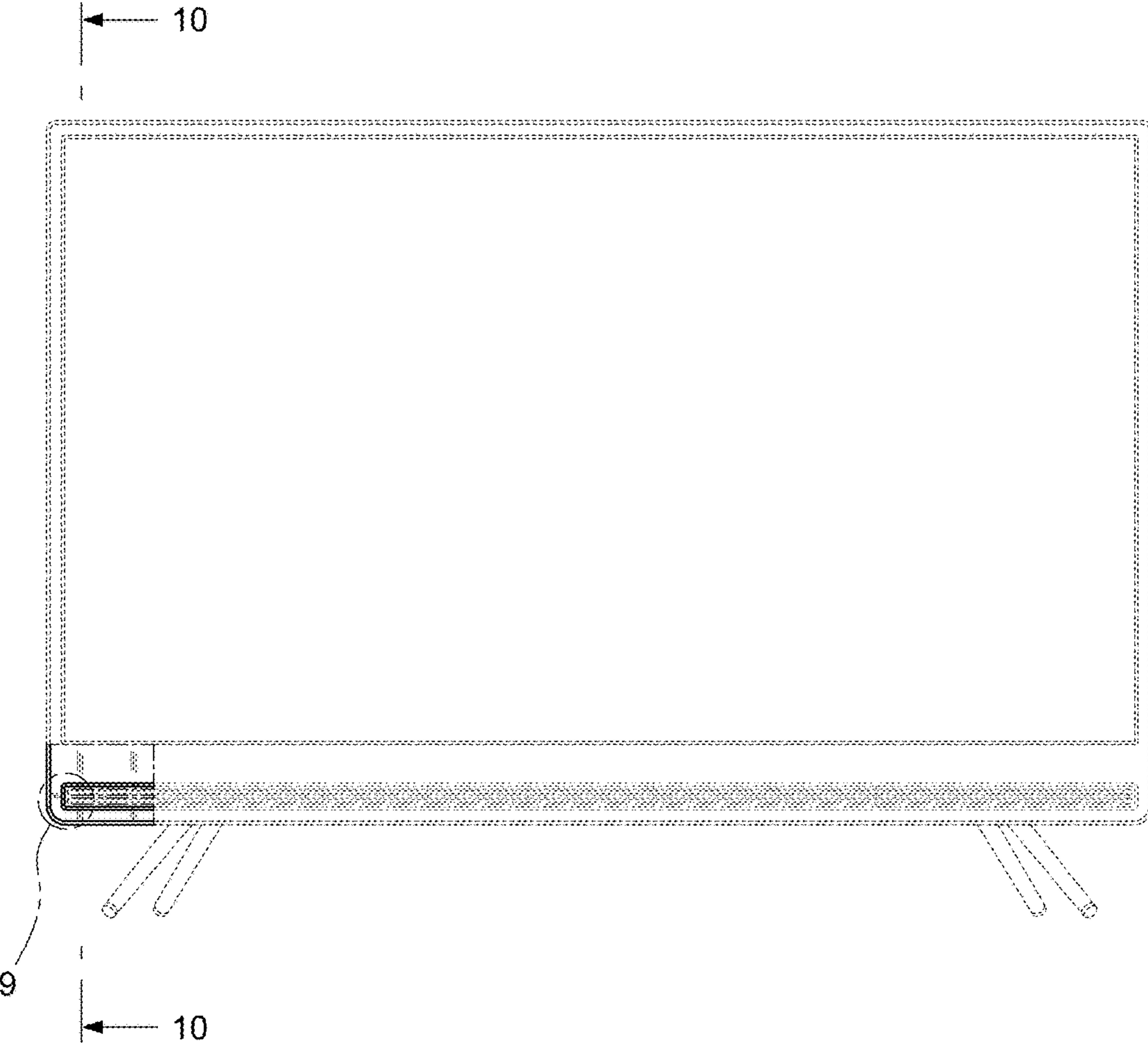


FIG. 3

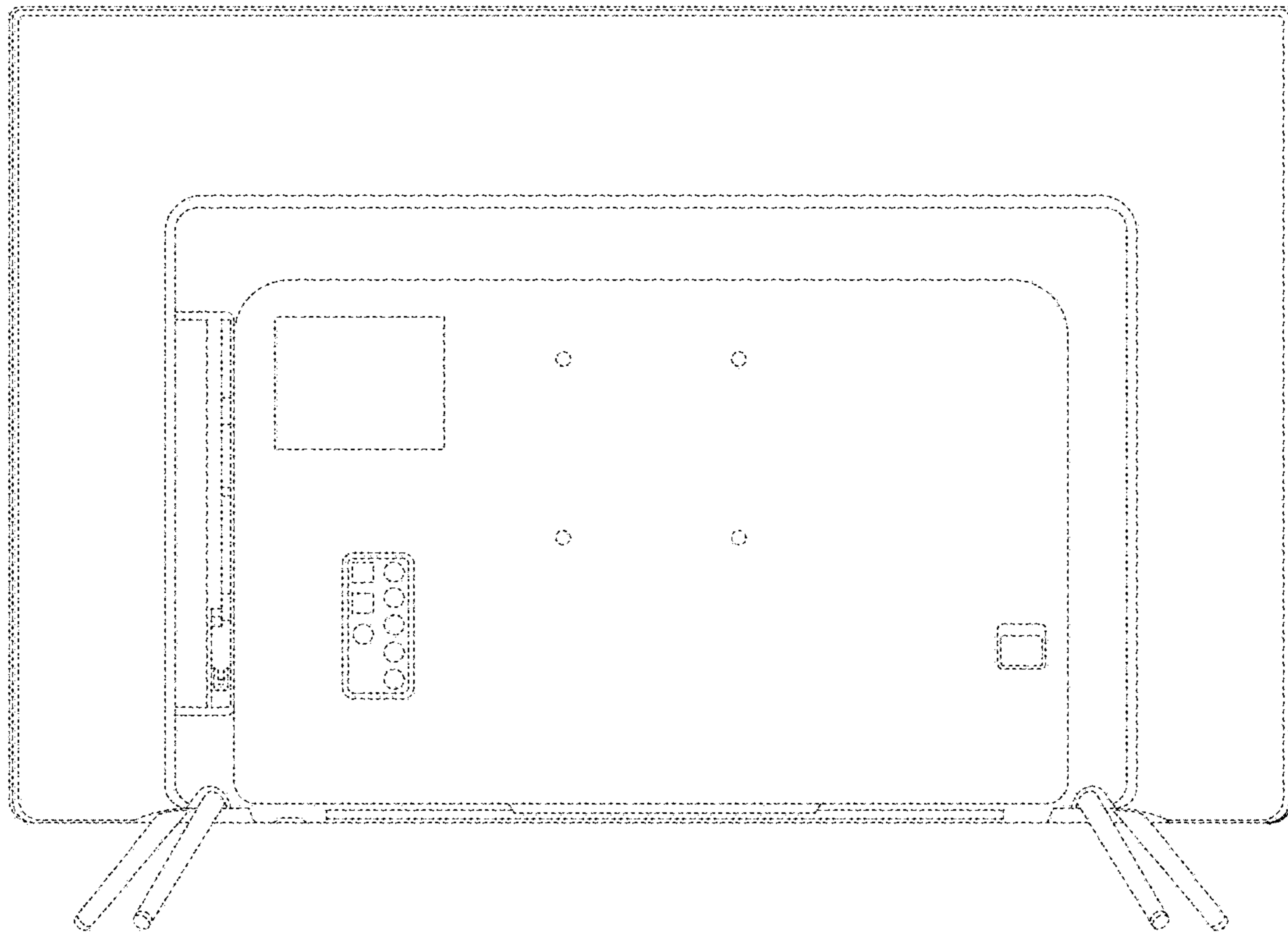


FIG. 4

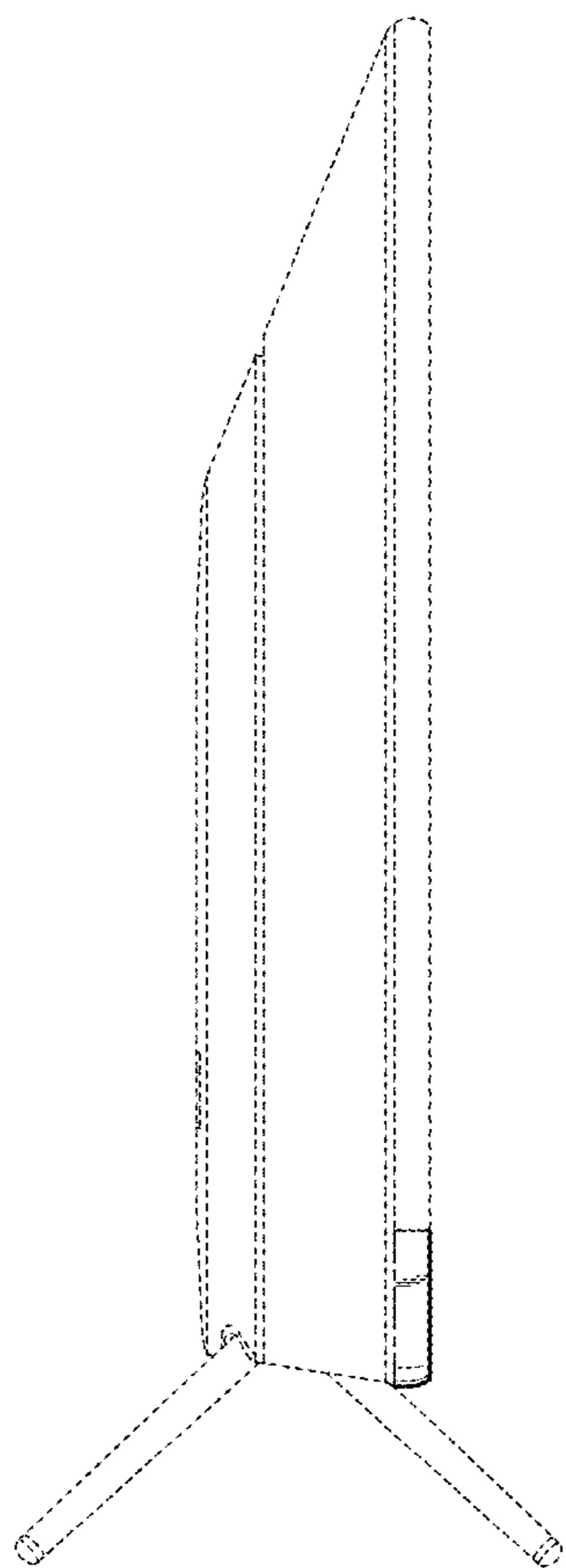


FIG. 5

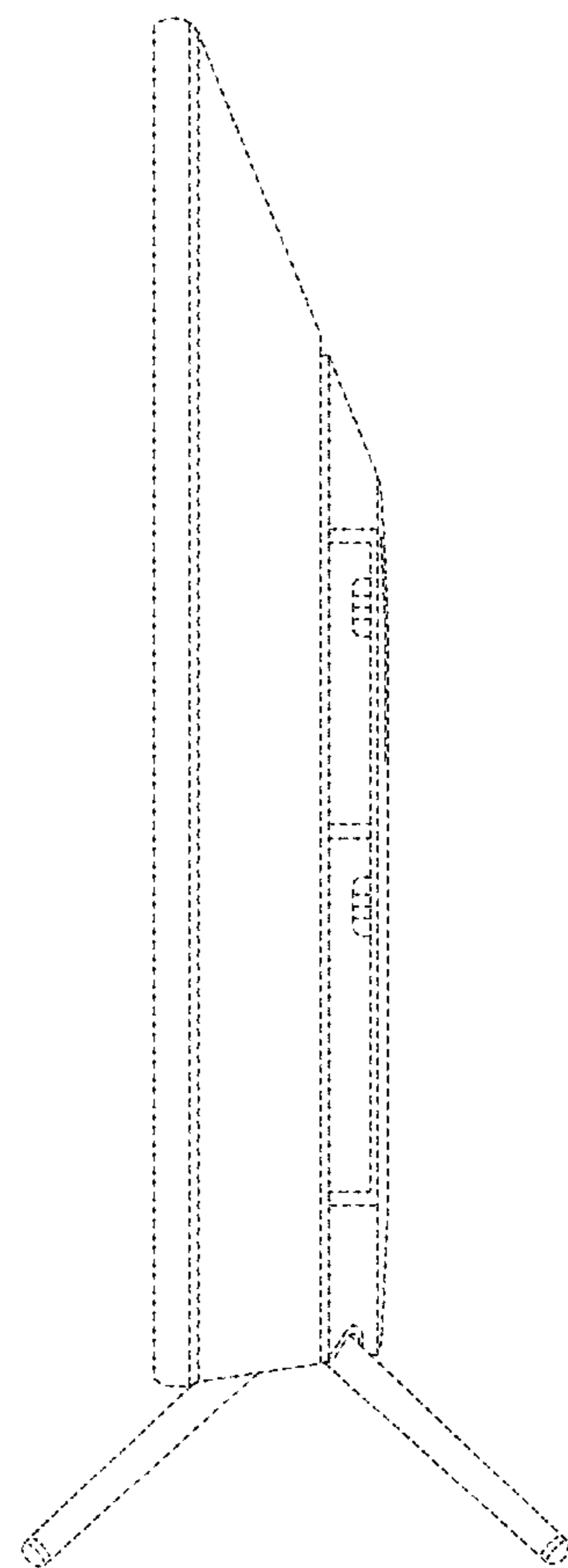


FIG. 6

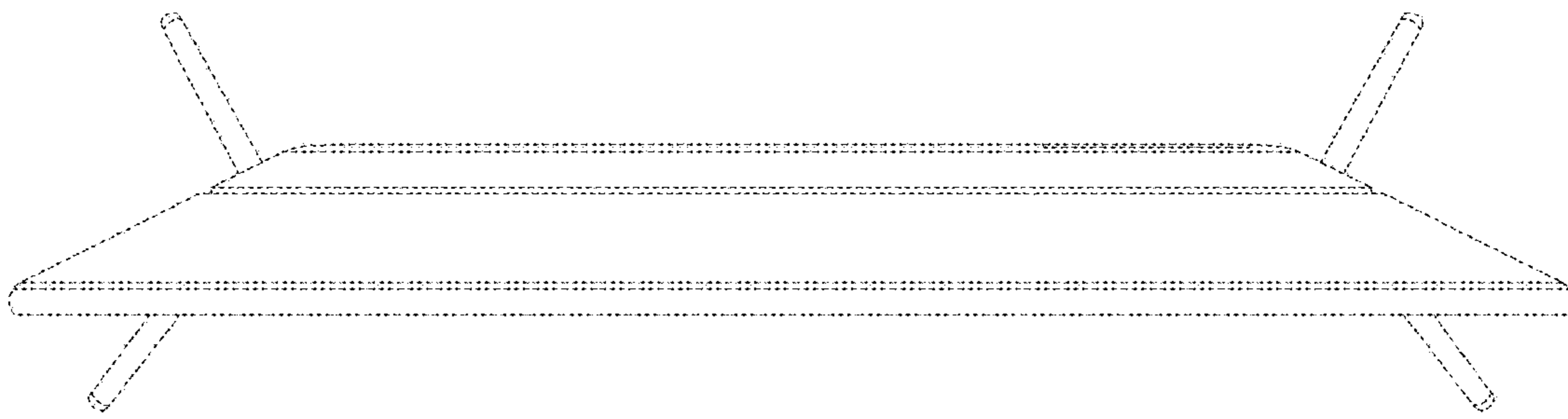


FIG. 7

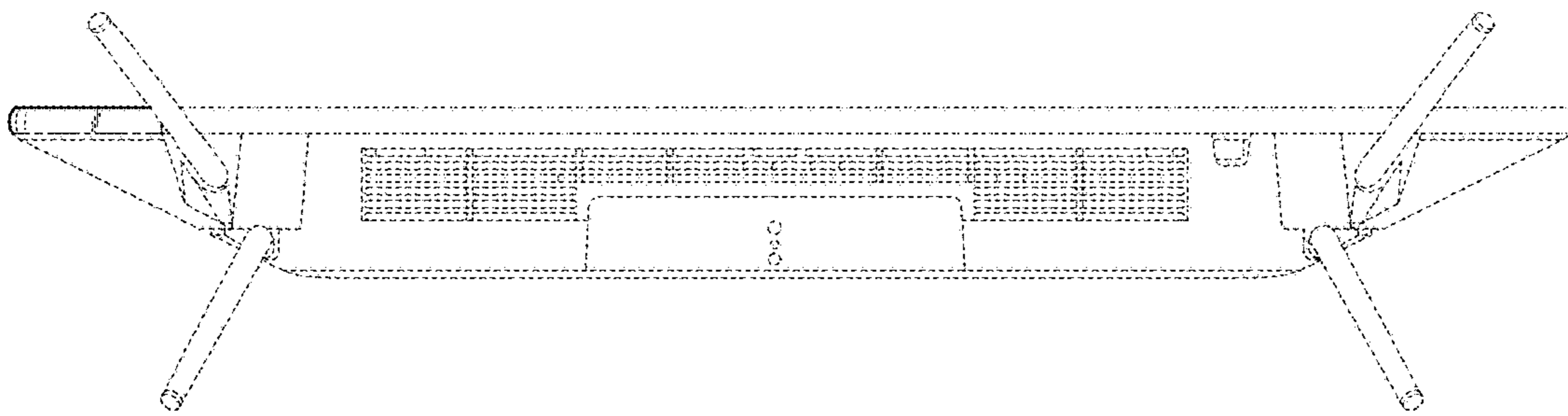


FIG. 8

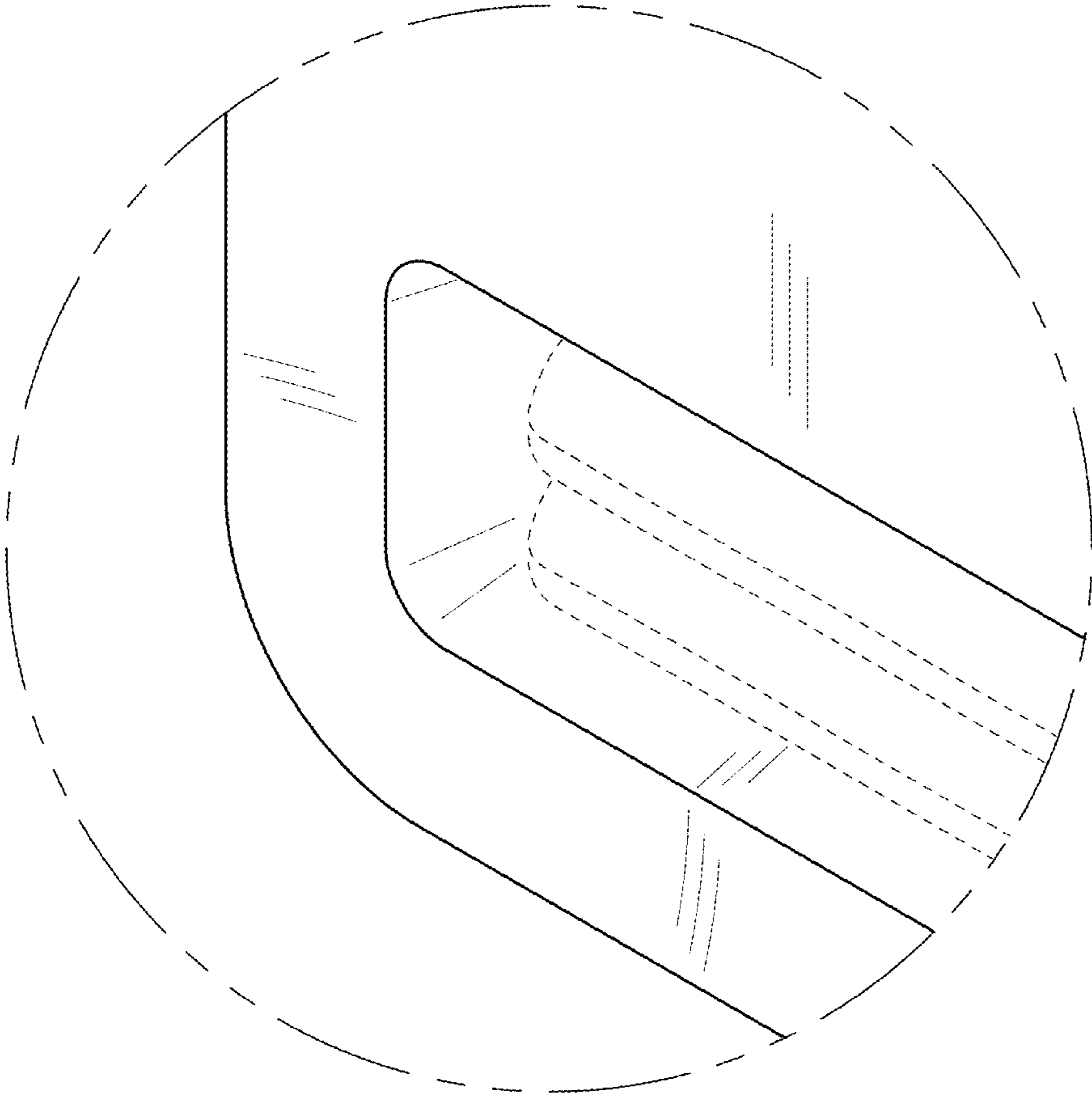




FIG. 9

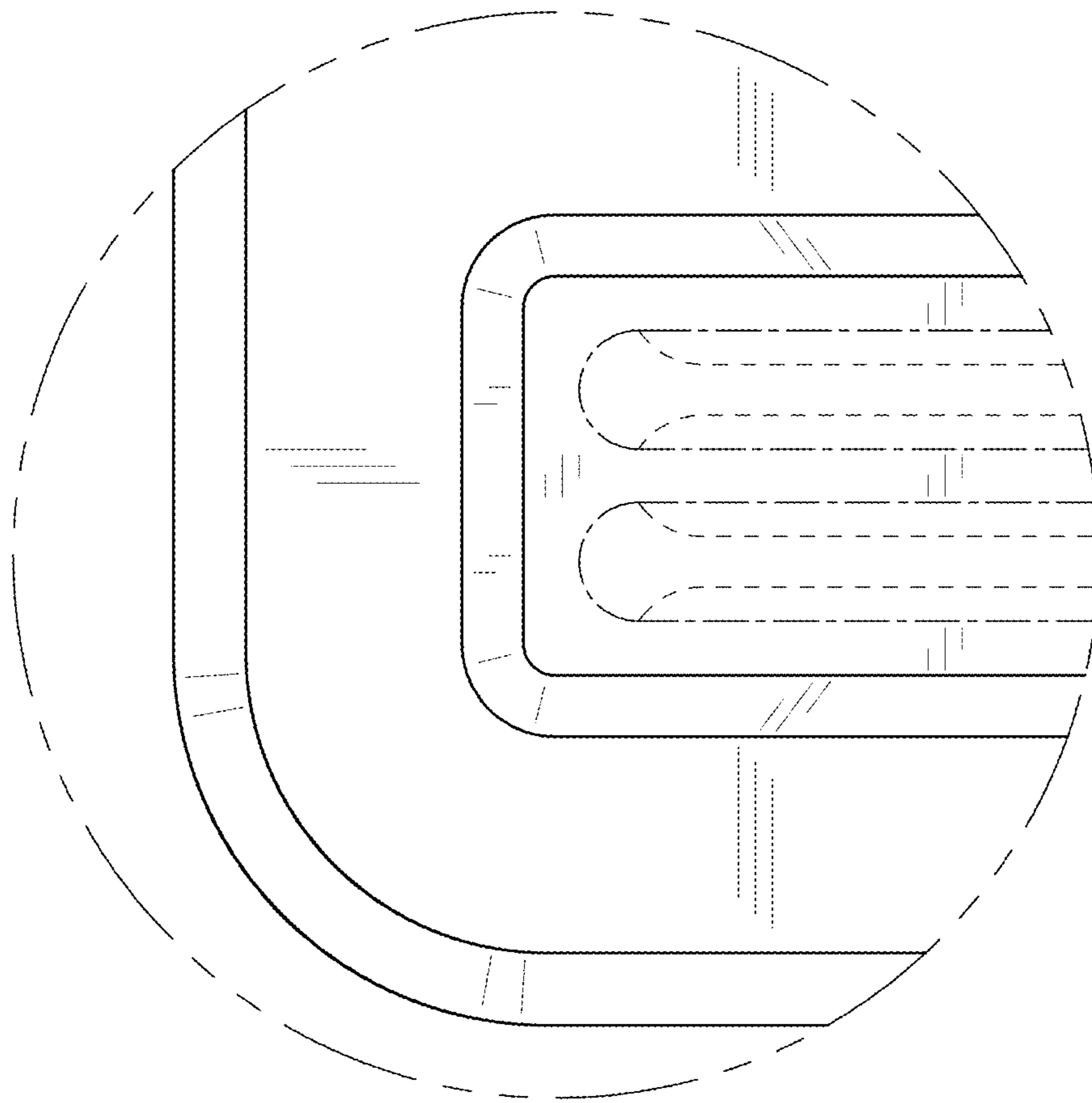


FIG. 10

