



US00D799441S

(12) **United States Design Patent** (10) **Patent No.:** **US D799,441 S**
Park et al. (45) **Date of Patent:** **** Oct. 10, 2017**

(54) **TELEVISION RECEIVER**

FOREIGN PATENT DOCUMENTS

(71) Applicant: **SAMSUNG ELECTRONICS CO., LTD.**, Suwon-si (KR)

EM 000594585-0001 10/2006
EM 002371955-0004 2/2014
KR 30-2014-0000759 9/2014

(72) Inventors: **Sang-Yong Park**, Bucheon-si (KR); **Chul-Yong Cho**, Seoul (KR); **Ki-Hong Kim**, Goyang-si (KR); **Jang-Ho Kim**, Seoul (KR)

Primary Examiner — Randall Gholson
(74) *Attorney, Agent, or Firm* — NSIP Law

(73) Assignee: **Samsung Electronics Co., Ltd.**, Suwon-si (KR)

(57) **CLAIM**

We claim the ornamental design for a television receiver, as shown and described.

(**) Term: **15 Years**

DESCRIPTION

(21) Appl. No.: **29/569,162**

(22) Filed: **Jun. 24, 2016**

(30) **Foreign Application Priority Data**

Mar. 15, 2016 (KR) 30-2016-0011838

(51) **LOC (10) Cl.** **14-03**

(52) **U.S. Cl.**
USPC **D14/126**

(58) **Field of Classification Search**

USPC D14/125–134, 239, 371, 136, 374–377,
D14/440, 450, 448, 336, 342, 159;
312/7.2; 348/836, 838, 180, 184, 325,
348/739; 248/917–924, 465; 345/104,
345/133, 156, 168, 87, 173; D21/329,
D21/515, 577, 622, 333, 433, 448, 452,
D21/450, 331, 505; D10/15, 26;

(Continued)

(56) **References Cited**

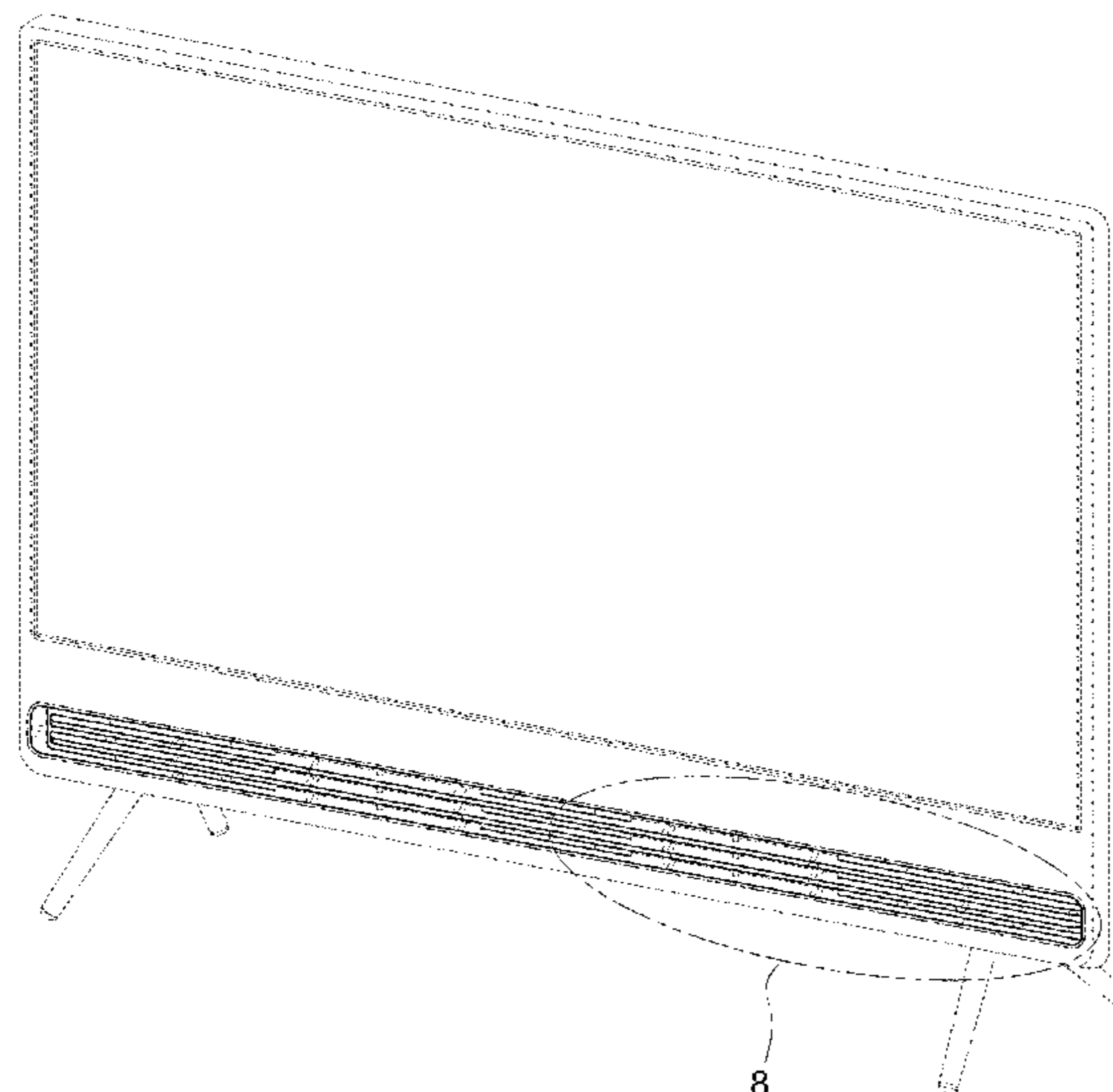
U.S. PATENT DOCUMENTS

D555,122 S 11/2007 Solomon et al.
D680,106 S * 4/2013 Hwangbo D14/239
(Continued)

FIG. 1 is a front perspective view of a television receiver showing our new design;
FIG. 2 is a front view thereof;
FIG. 3 is a rear view thereof;
FIG. 4 is a left-side view thereof;
FIG. 5 is a right-side view thereof;
FIG. 6 is a top view thereof;
FIG. 7 is a bottom view thereof;
FIG. 8 is an enlarged view of the encircled portion in FIG. 1;
FIG. 9 is an enlarged view of the encircled portion in FIG. 2;
FIG. 10 is a cross-sectional view taken through line 10-10 of FIG. 2;
FIG. 11 is a cross-sectional view taken through line 11-11 of FIG. 2; and,
FIG. 12 is an enlarged view of the encircled portion in FIG. 2.

The broken lines in the figures depict environmental subject matter and form no part of the claimed design.
The dot-dash broken lines in the figures represent an unclaimed boundary line and form no part of the claimed design.
The dot-dot-dash broken lines encircling portions of the claimed design that are illustrated in enlargements form no part of the claimed design.

1 Claim, 10 Drawing Sheets



(58) **Field of Classification Search**

USPC 446/484, 175, 356; D6/477, 479, 300;
D20/10, 19, 39; D16/203, 241; 160/24
CPC G06F 1/1601; G06F 1/1643; G06F 1/1652;
G06F 1/1647; G06F 3/0412; H05K
5/0004; H05K 5/0017; H05K 5/02; H05K
5/0217; H04N 13/0459

See application file for complete search history.

(56) **References Cited**

U.S. PATENT DOCUMENTS

D716,244 S * 10/2014 Kim D14/126
D727,865 S * 4/2015 Moon D14/126
D729,755 S 5/2015 McManigal et al.
D748,596 S * 2/2016 McManigal D14/126
D749,532 S * 2/2016 McManigal D14/126
D751,519 S * 3/2016 Ma D14/126
D757,667 S * 5/2016 Yokota D14/126

* cited by examiner

FIG. 1

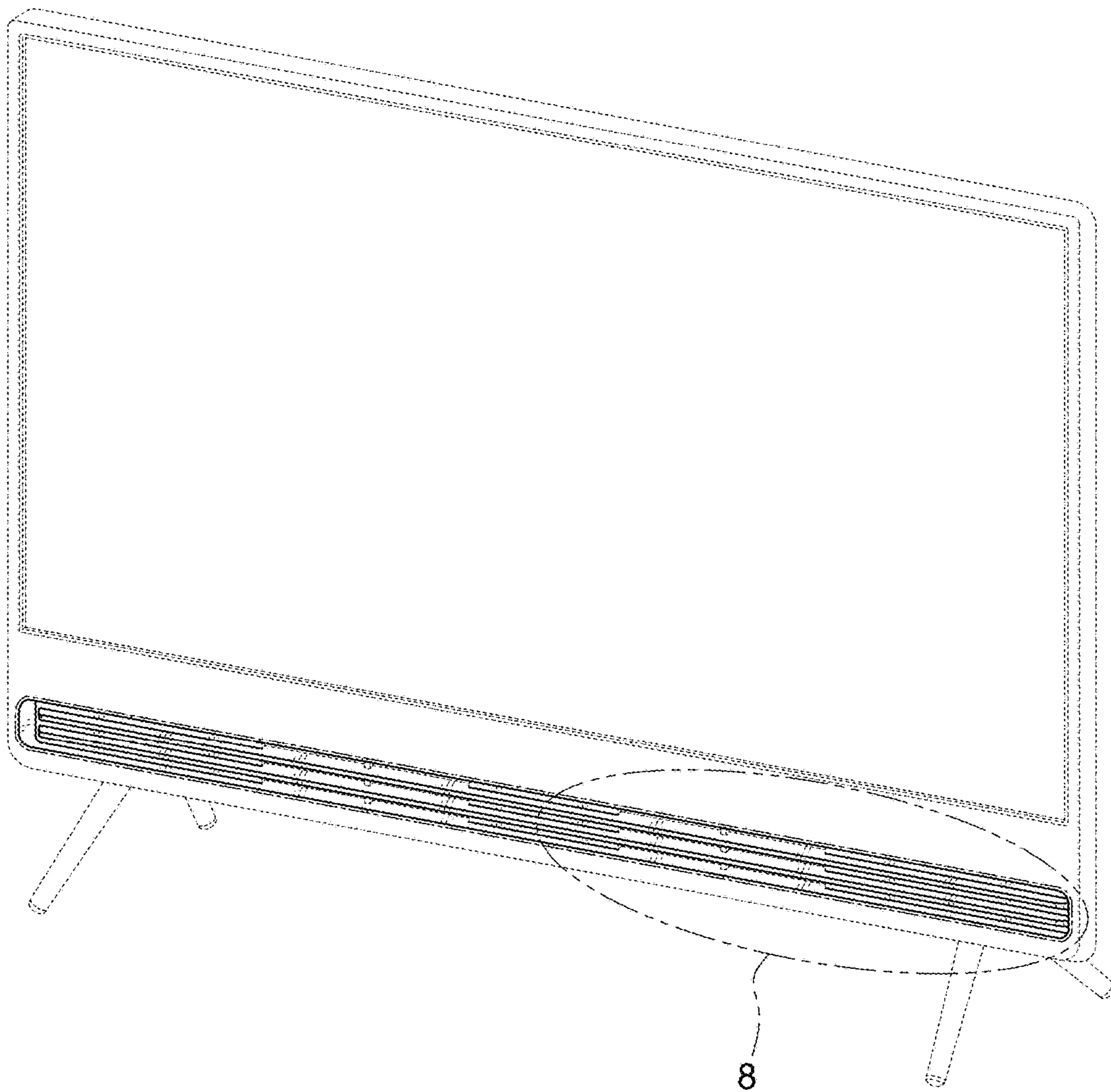


FIG. 2

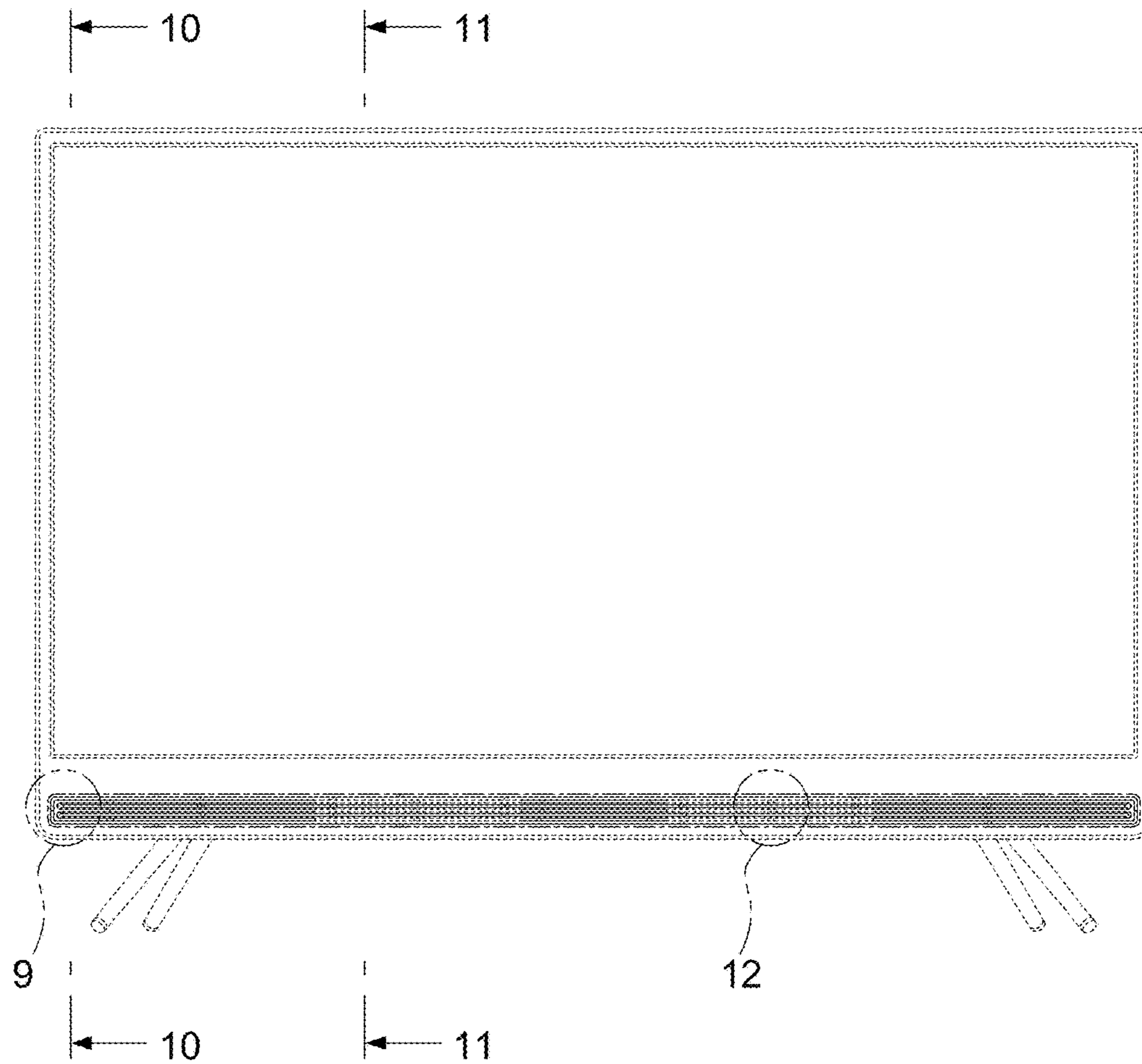


FIG. 3

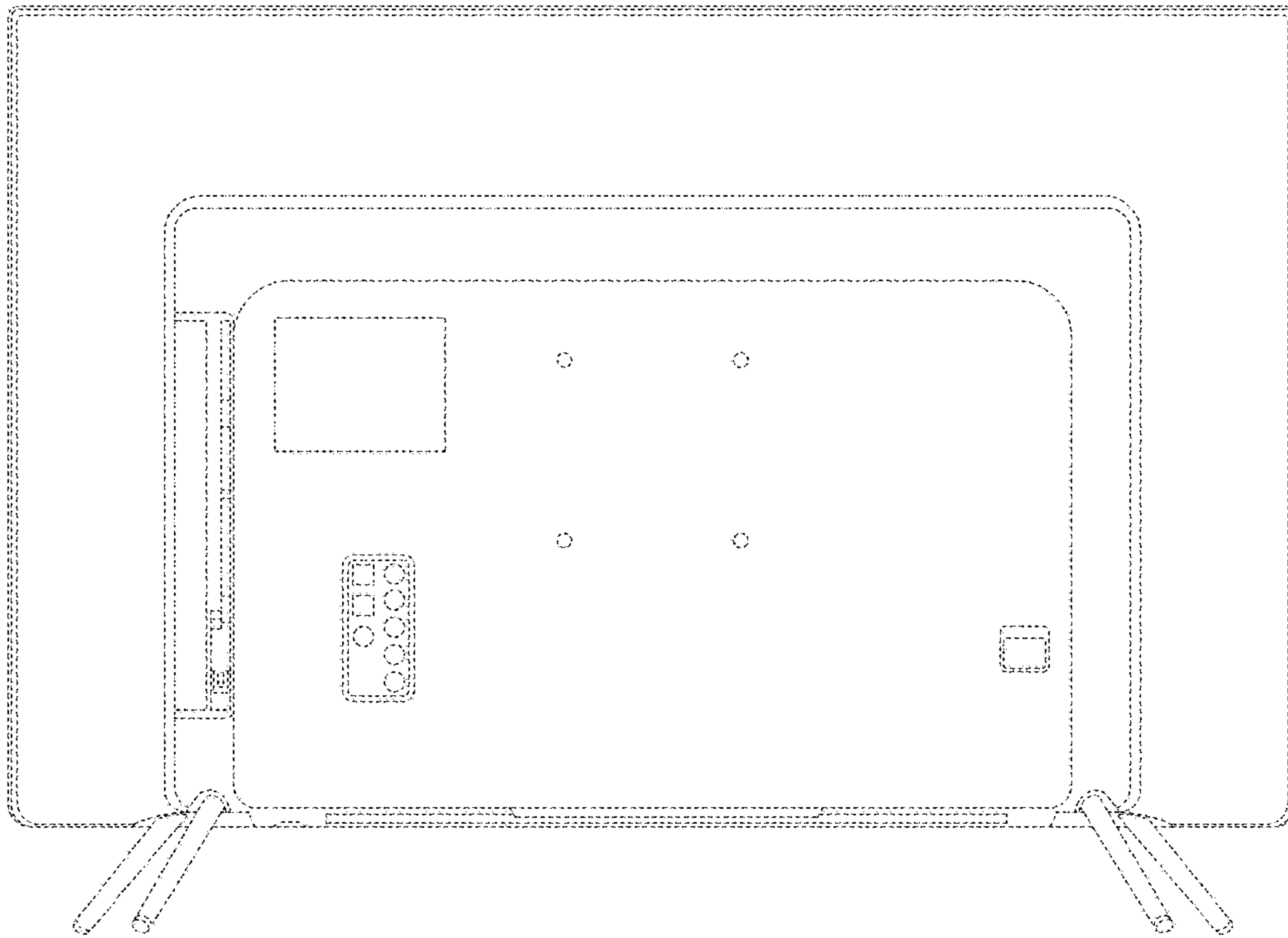


FIG. 4

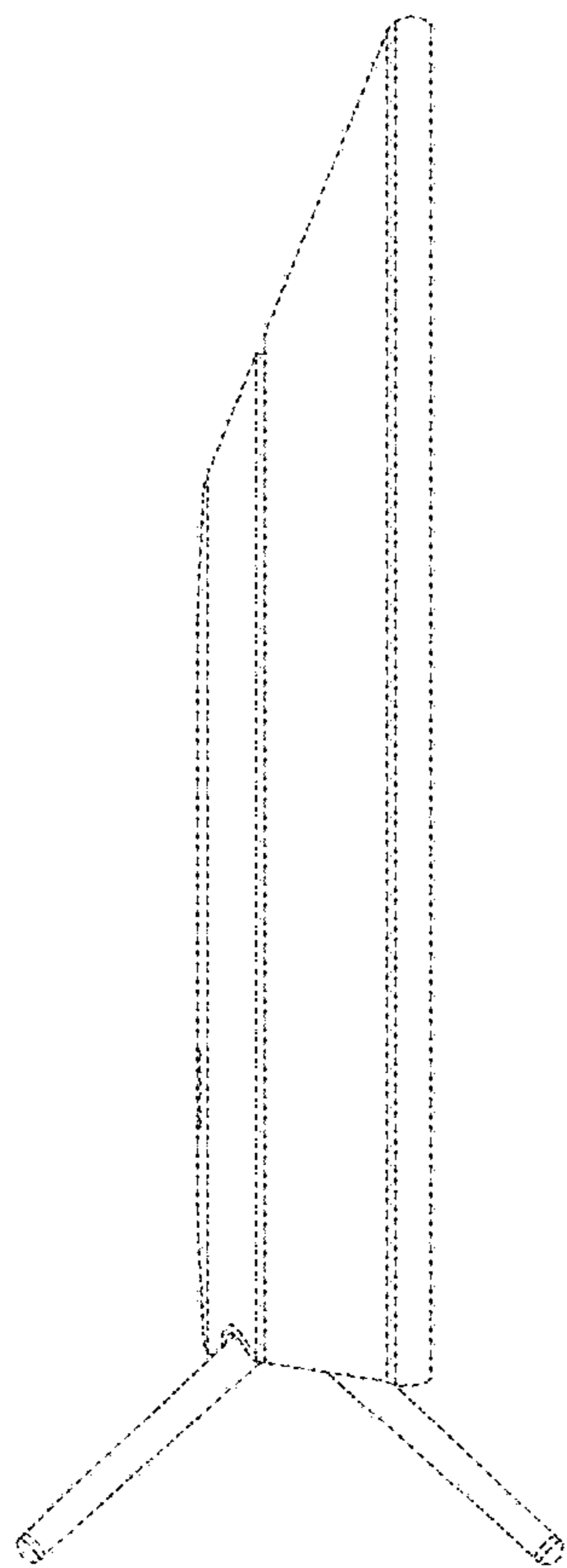


FIG. 5

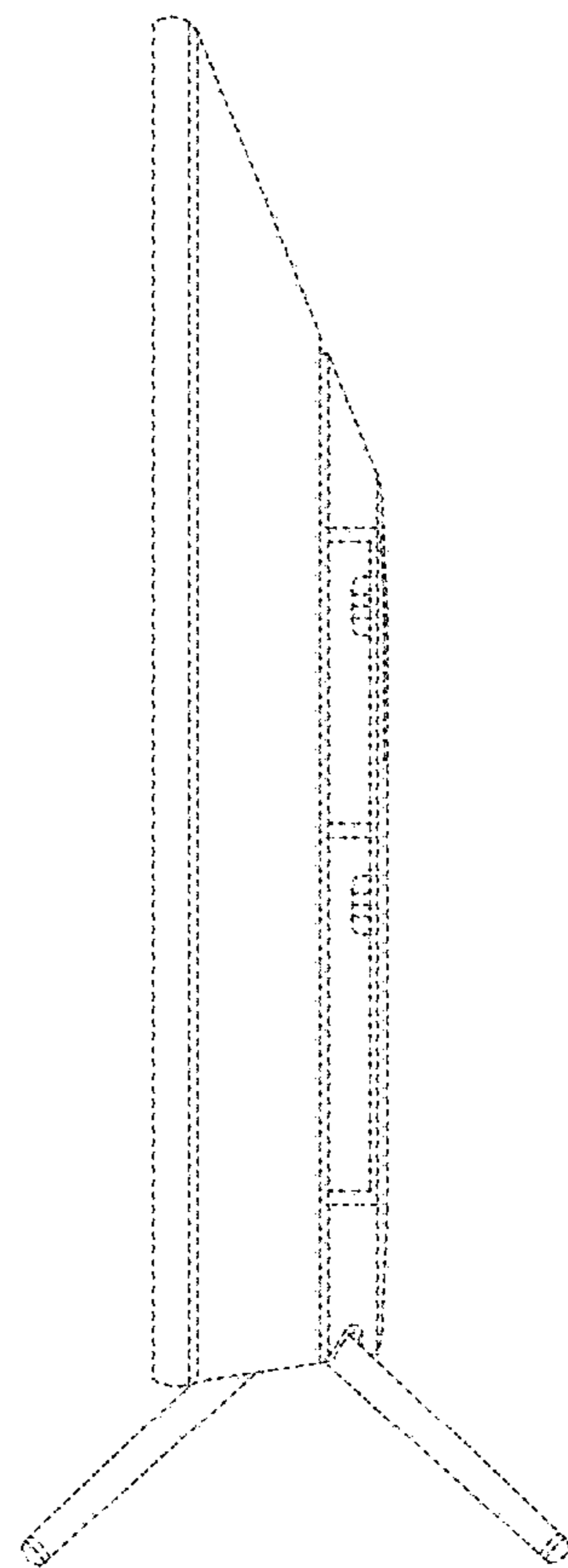


FIG. 6

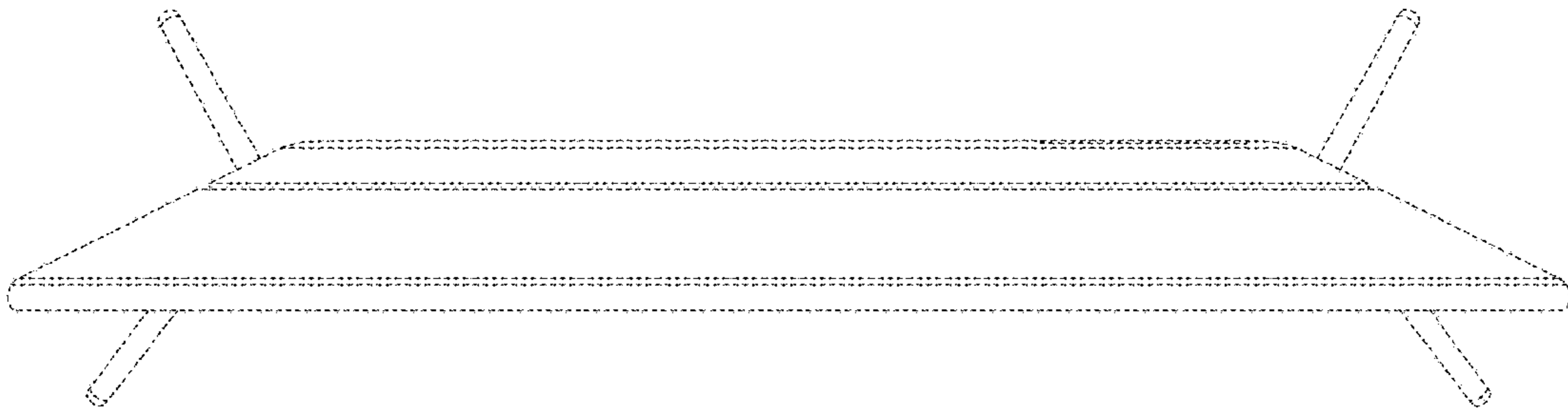


FIG. 7

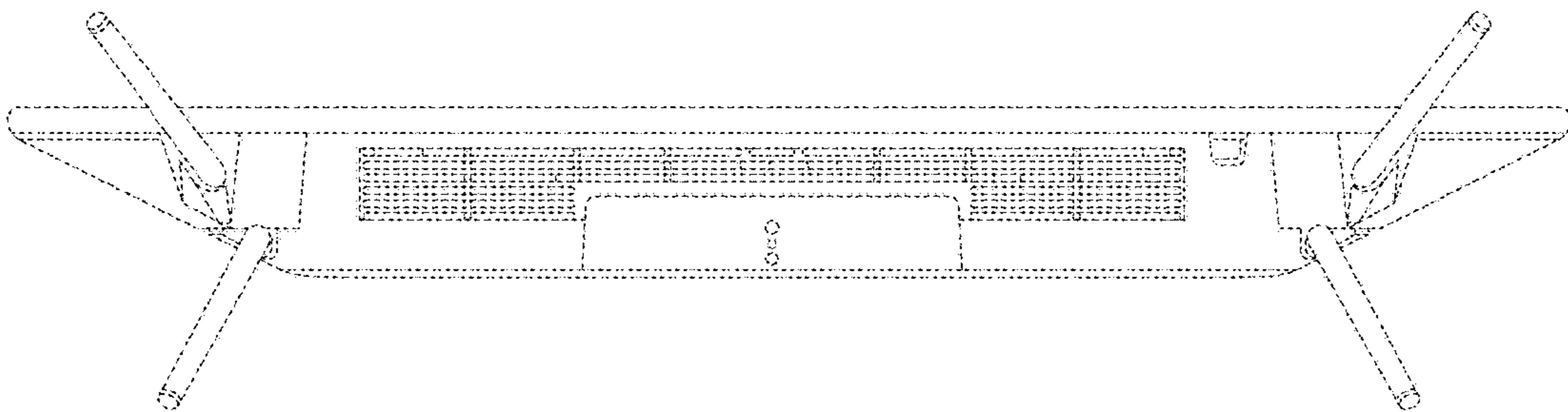


FIG. 8

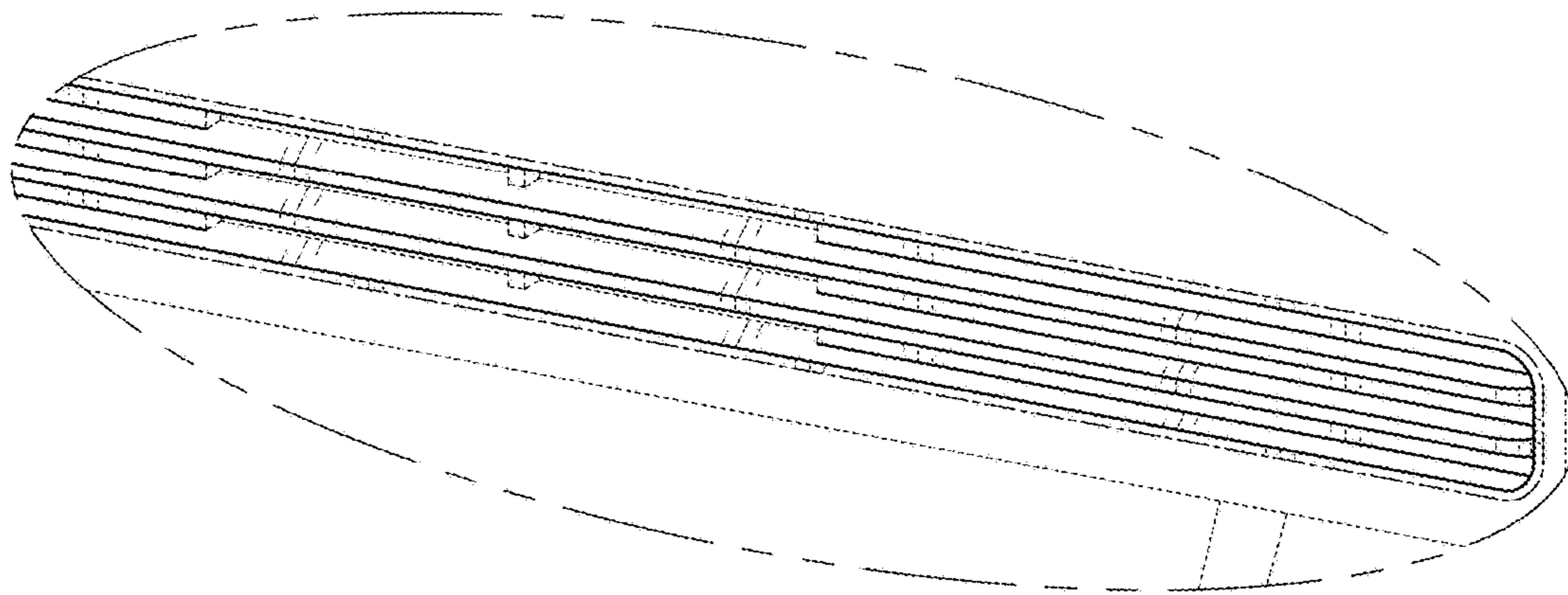


FIG. 9

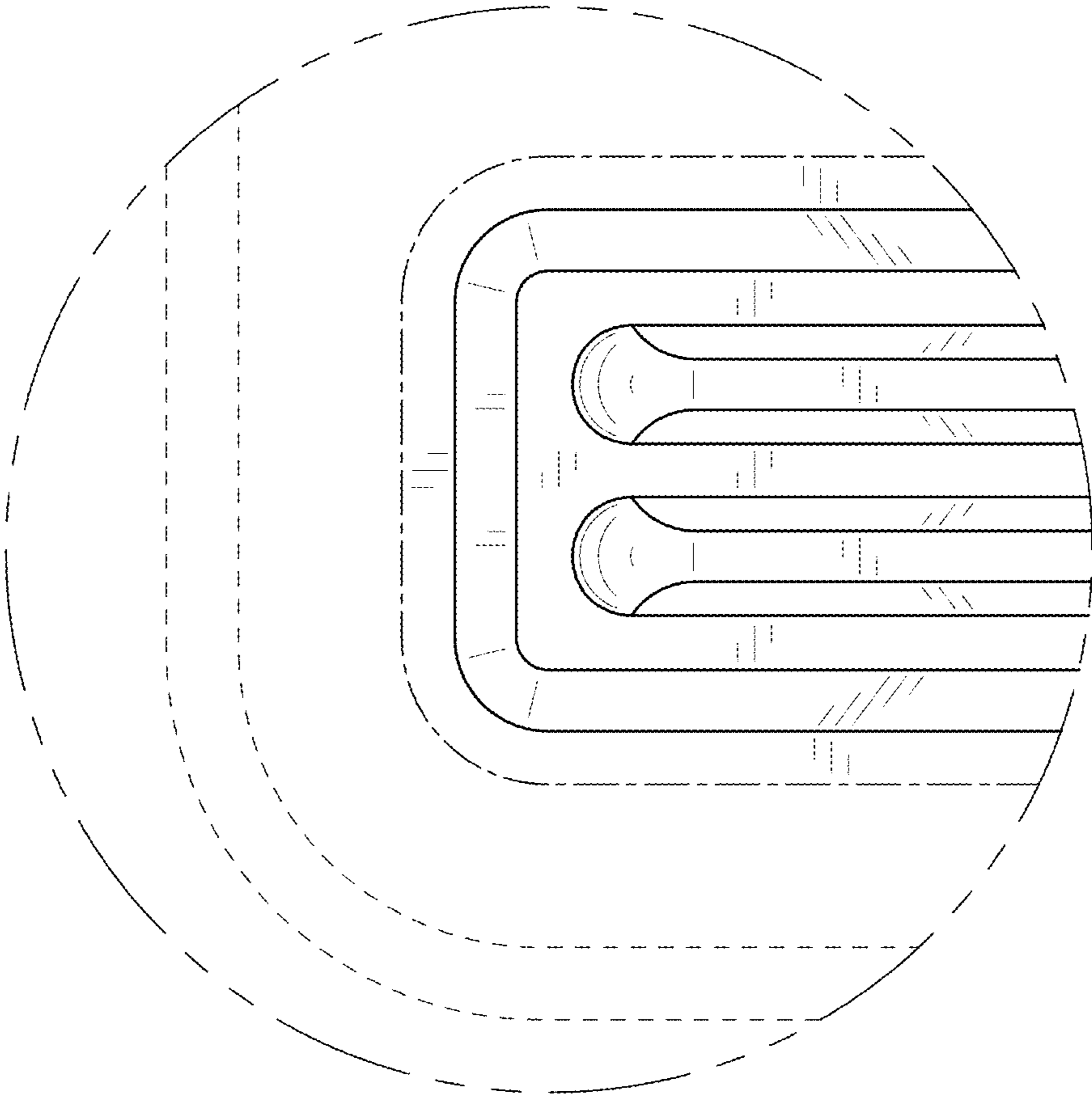


FIG. 10

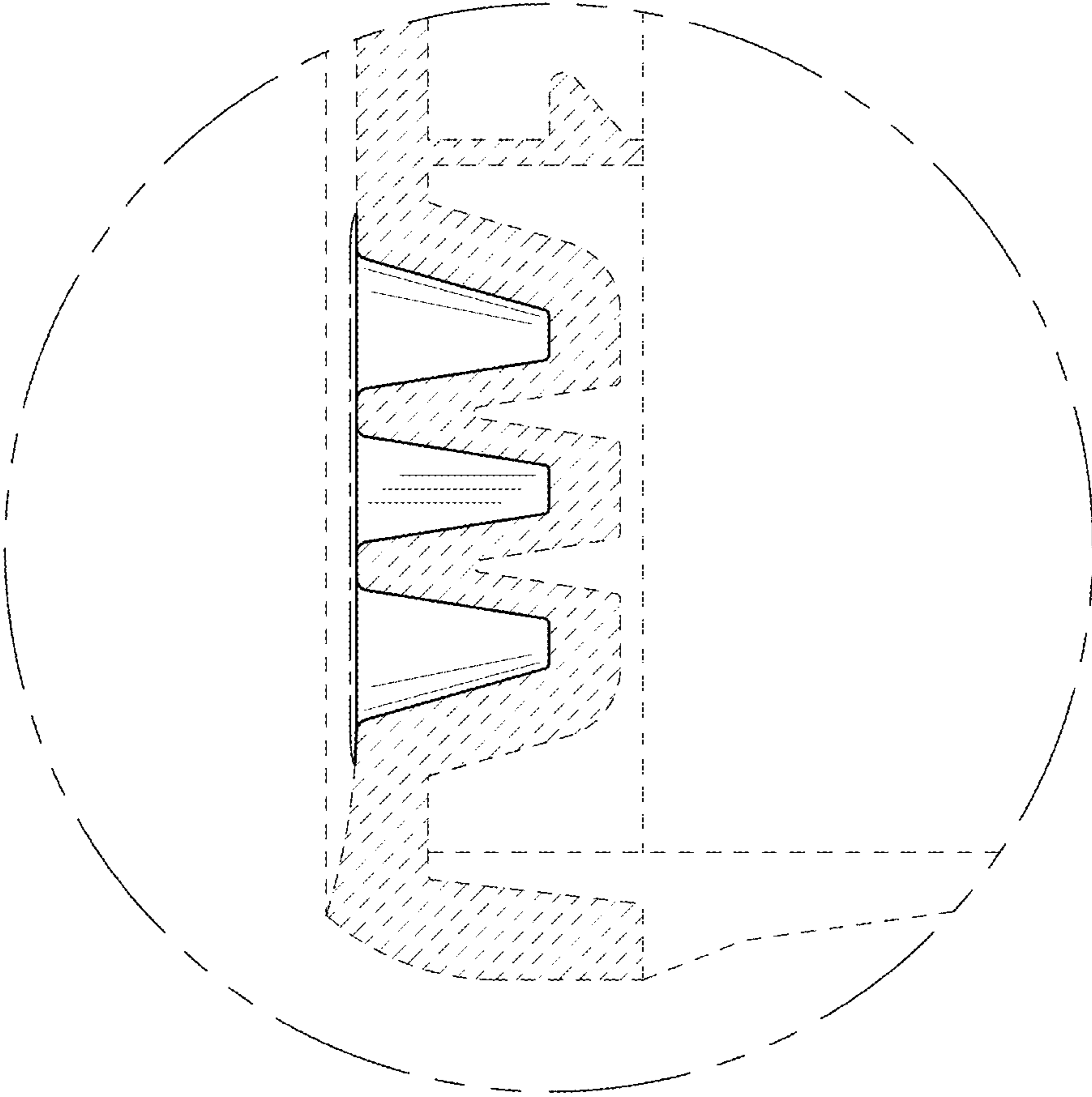


FIG. 11

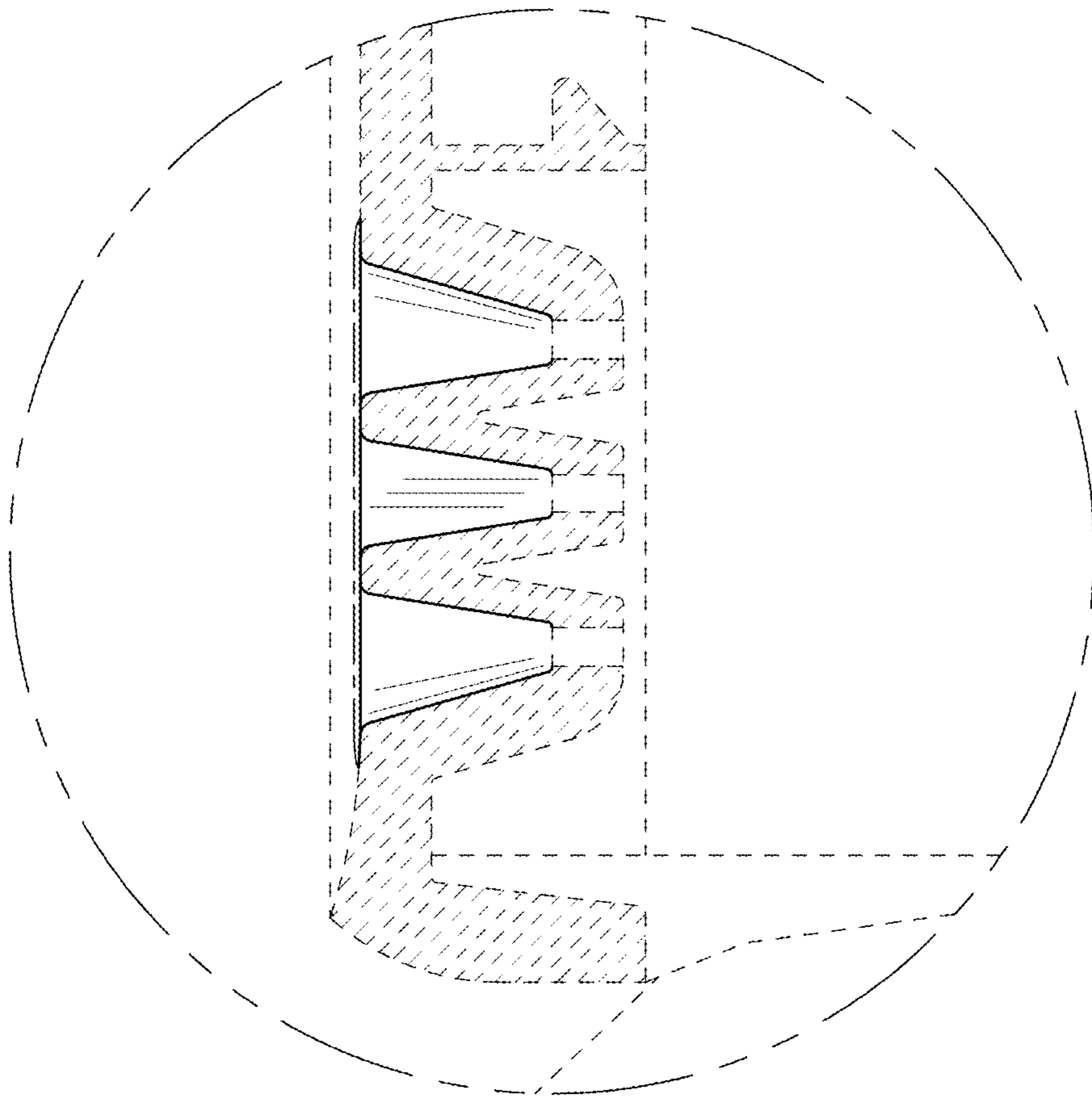


FIG. 12

