



US00D799440S

(12) **United States Design Patent** (10) **Patent No.:** **US D799,440 S**
Kim et al. (45) **Date of Patent:** **** Oct. 10, 2017**

(54) **TELEVISION RECEIVER**

(56) **References Cited**

(71) Applicant: **Samsung Electronics Co., Ltd.**,
Suwon-si (KR)

U.S. PATENT DOCUMENTS

(72) Inventors: **Jang-Ho Kim**, Seoul (KR); **Chul-Yong Cho**, Seoul (KR); **Sang-Yong Park**,
Bucheon-si (KR); **Ki-Hong Kim**,
Goyang-si (KR)

D555,122 S	11/2007	Solomon et al.	
D723,488 S *	3/2015	Seo	D14/126
D729,755 S	5/2015	McManigal et al.	
D738,838 S *	9/2015	Seo	D14/126
D740,242 S *	10/2015	Park	D14/126
D744,437 S *	12/2015	Lu	D14/126
D750,585 S *	3/2016	Kang	D14/126
D755,137 S *	5/2016	Won	D14/126

(73) Assignee: **Samsung Electronics Co., Ltd.**,
Suwon-si (KR)

FOREIGN PATENT DOCUMENTS

(**) Term: **15 Years**

EM	000594585-0001	10/2006
EM	002371955-0004	2/2014
KR	30-2014-0000759	9/2014

(21) Appl. No.: **29/568,714**

* cited by examiner

(22) Filed: **Jun. 21, 2016**

Primary Examiner — Randall Gholson
(74) *Attorney, Agent, or Firm* — NSIP Law

(30) **Foreign Application Priority Data**

Dec. 21, 2015 (KR) 30-2015-0065261

(57) **CLAIM**

(51) **LOC (10) Cl.** **14-03**

We claim the ornamental design for a television receiver, as shown and described.

(52) **U.S. Cl.**
USPC **D14/126**

(58) **Field of Classification Search**
USPC D14/125-134, 239, 371, 136, 374-377,
D14/440, 450, 448, 336, 342, 159;
312/7.2; 348/836, 838, 180, 184, 325,
348/739; 248/917-924, 465; 345/104,
345/133, 156, 168, 87, 173; D21/329,
D21/515, 577, 622, 333, 433, 448, 452,
D21/450, 331, 505; D10/15, 26;
446/484, 175, 356; D6/477, 479, 300;
D20/10, 19, 39; D16/203, 241; 160/24
CPC G06F 1/1601; G06F 1/1643; G06F 1/1652;
G06F 1/1647; G06F 3/0412; H05K
5/0004; H05K 5/0017; H05K 5/02; H05K
5/0217; H04N 13/0459

DESCRIPTION

FIG. 1 is a front perspective view of a television receiver showing our new design;
FIG. 2 is a front view thereof;
FIG. 3 is a rear view thereof;
FIG. 4 is a left-side view thereof;
FIG. 5 is a right-side view thereof;
FIG. 6 is a top view thereof;
FIG. 7 is a bottom view thereof; and,
FIG. 8 is a rear perspective view thereof.
The broken lines in the figures depict environmental subject matter and form no part of the claimed design.

See application file for complete search history.

1 Claim, 6 Drawing Sheets

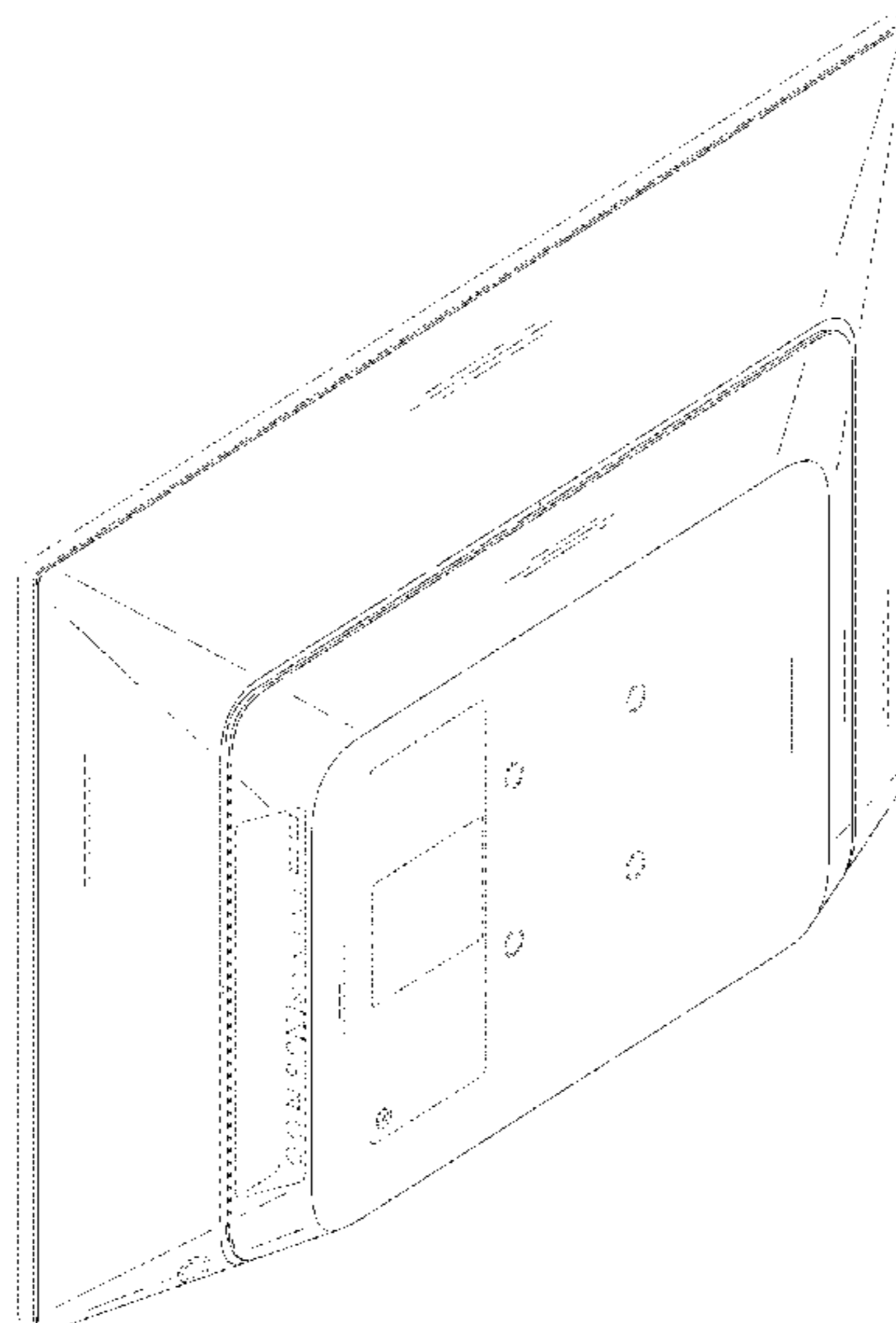


FIG. 1

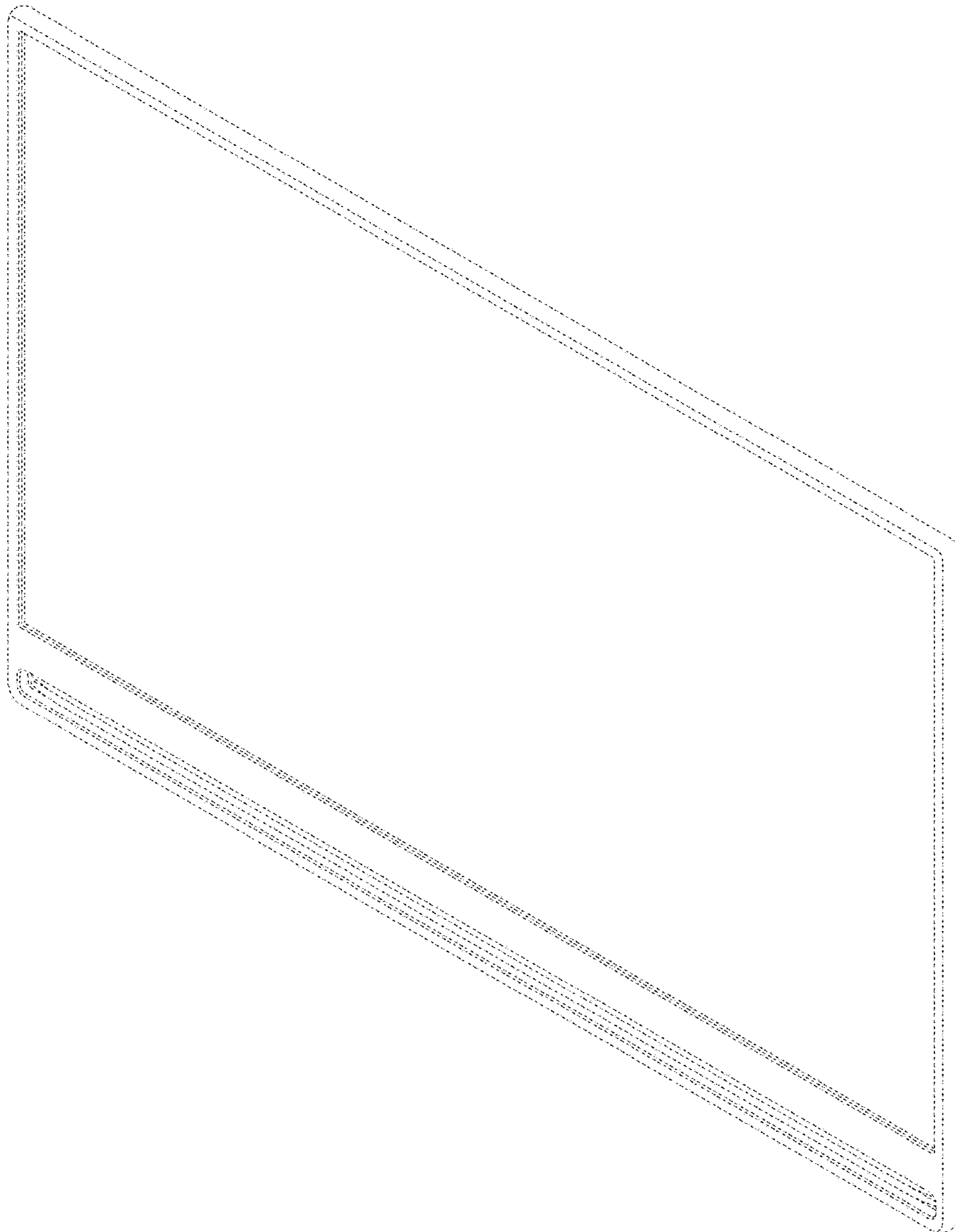


FIG. 2



FIG. 3

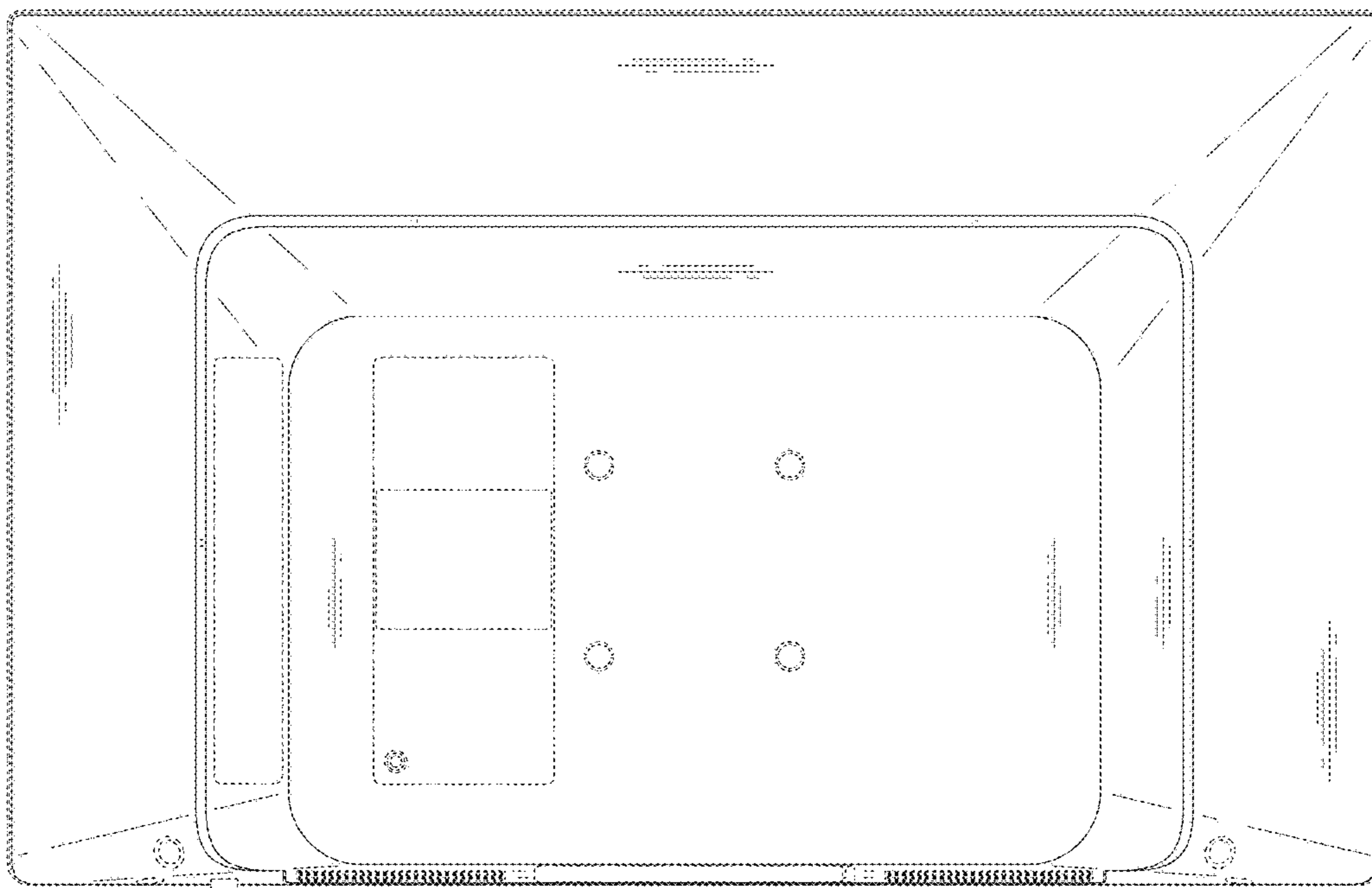


FIG. 4

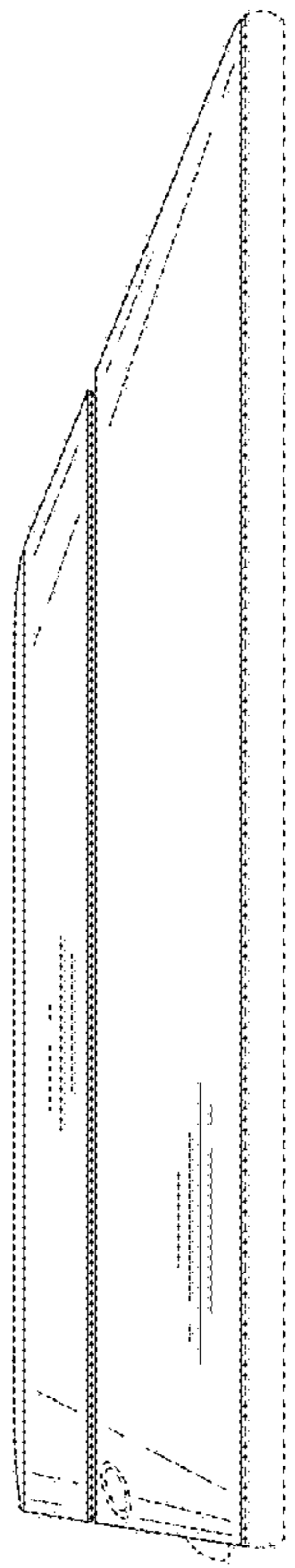


FIG. 5

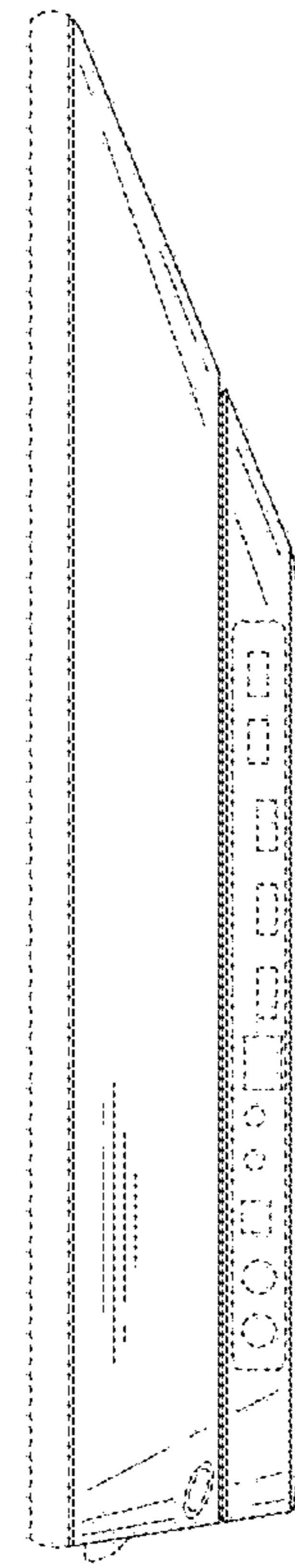


FIG. 6

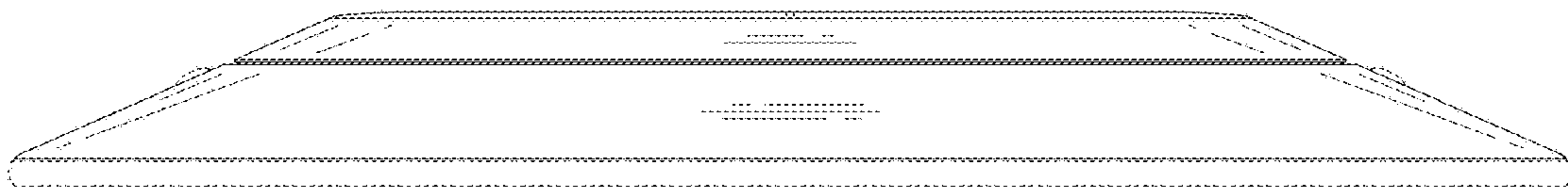


FIG. 7

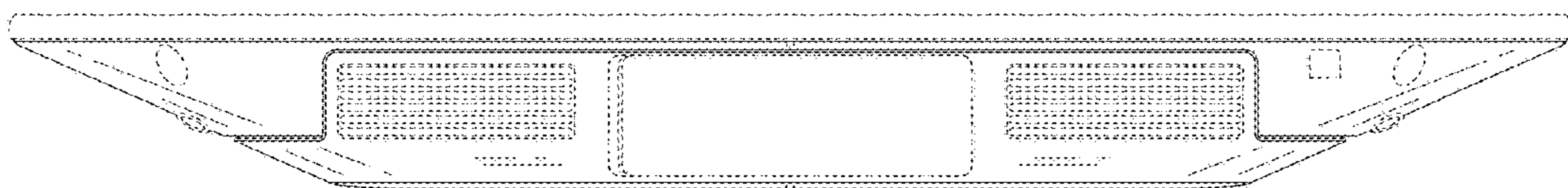


FIG. 8

