

US00D799436S

(12) **United States Design Patent**  
**Nelson**

(10) **Patent No.:** **US D799,436 S**

(45) **Date of Patent:** **\*\* \*Oct. 10, 2017**

(54) **REMOTE CONTROLLER**

(71) Applicant: **HOME DEPOT PRODUCT AUTHORITY, LLC**, Atlanta, GA (US)

(72) Inventor: **Michael Nelson**, Peachtree City, GA (US)

(73) Assignee: **Home Depot Product Authority, LLP**, Atlanta, GA (US)

(\*) Notice: This patent is subject to a terminal disclaimer.

(\*\*) Term: **14 Years**

(21) Appl. No.: **29/503,579**

(22) Filed: **Sep. 26, 2014**

(51) **LOC (10) Cl.** ..... **13-03**

(52) **U.S. Cl.**  
USPC ..... **D13/174**; D13/168

(58) **Field of Classification Search**  
USPC ..... D13/168, 174; D14/488, 489, 491, 218  
CPC .... F04D 25/088; F04D 27/004; F04D 27/008;  
G05B 19/108; H04B 1/202; H05B 37/0263; H05B 37/0272; G06F 3/0481;  
G06F 3/0484; G06F 3/04888

See application file for complete search history.

(56) **References Cited**

U.S. PATENT DOCUMENTS

- 5,189,412 A \* 2/1993 Mehta ..... G05B 19/108 340/12.24
- 5,323,321 A \* 6/1994 Smith, Jr. .... G01C 21/3632 340/990
- D352,930 S \* 11/1994 Tsuji ..... D13/168
- 5,410,326 A \* 4/1995 Goldstein ..... G08C 23/04 340/12.26
- 5,541,584 A \* 7/1996 Mehta ..... H02J 13/0048 340/12.32
- D391,229 S \* 2/1998 Thomas ..... D13/168

- D391,230 S \* 2/1998 Thomas ..... D13/168
- D408,389 S \* 4/1999 Newton ..... D14/488
- D415,735 S \* 10/1999 Zuege ..... D13/168
- 6,015,274 A \* 1/2000 Bias ..... F04D 25/088 417/423.1
- 6,120,262 A \* 9/2000 McDonough ..... H05B 37/0272 318/16
- 6,198,483 B1 \* 3/2001 Launais ..... G06F 3/0481 715/781
- D478,052 S \* 8/2003 Thomas, Jr. .... D13/168
- 6,771,182 B1 \* 8/2004 Loh ..... G08C 23/04 340/12.28
- 7,075,513 B2 \* 7/2006 Silfverberg ..... G06F 1/1626 345/157
- D529,488 S \* 10/2006 Uchida ..... D14/247
- D563,907 S \* 3/2008 Badarello ..... D13/168

(Continued)

OTHER PUBLICATIONS

Image published by inventor on pinterest.com prior to Sep. 26, 2014.

*Primary Examiner* — Selina Sikder  
(74) *Attorney, Agent, or Firm* — Greenberg Traurig, LLP

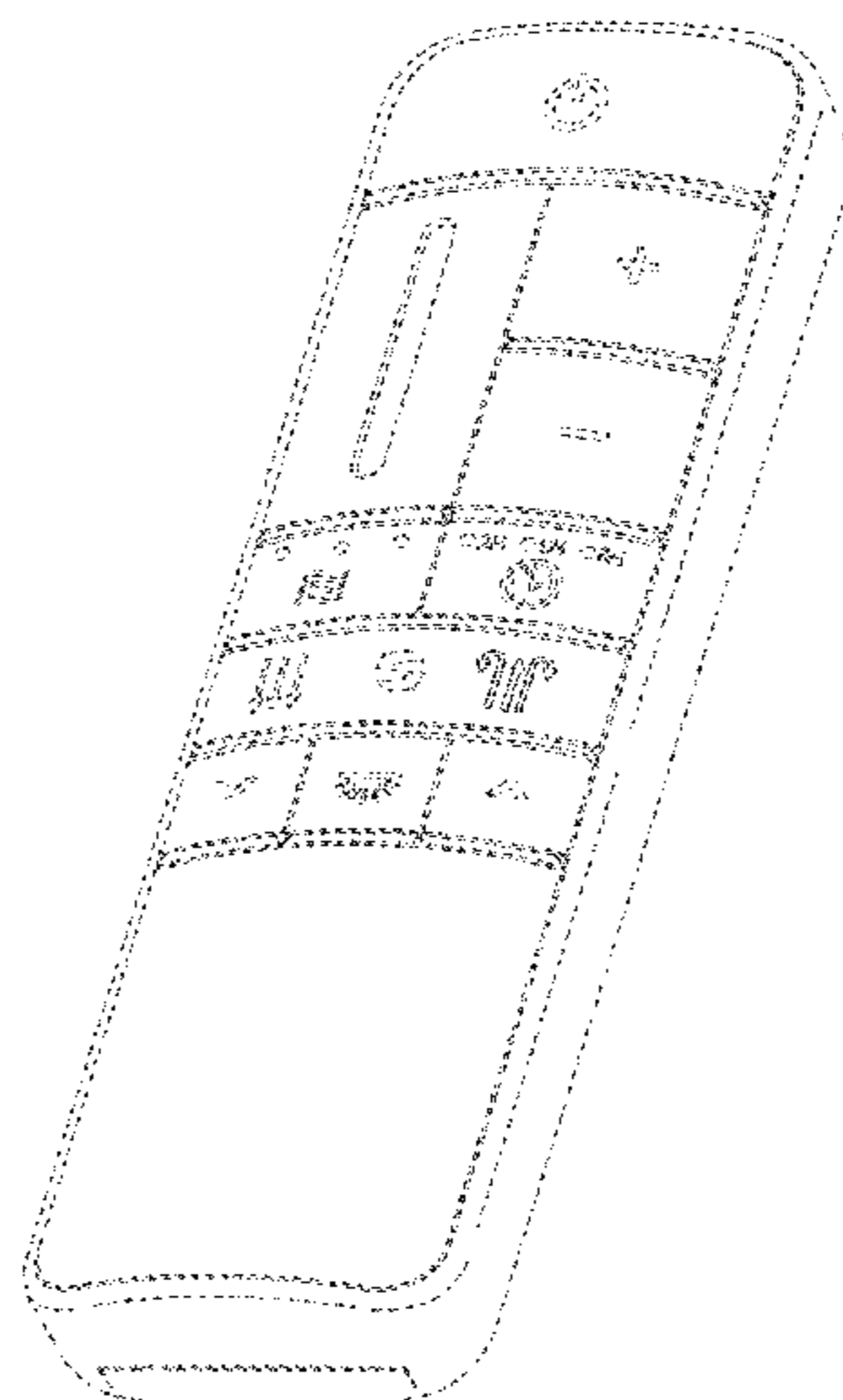
(57) **CLAIM**

The ornamental design for a remote controller, as shown and described.

**DESCRIPTION**

FIG. 1 is a perspective view of my remote controller;  
FIG. 2 is another perspective view thereof;  
FIG. 3 is a front view thereof;  
FIG. 4 is a back view thereof;  
FIG. 5 is a top view thereof;  
FIG. 6 is a perspective view of my icon for a device such as a remote controller; and,  
FIG. 7 is a second perspective view thereof.  
The broken line showing of the remote control is for illustrative purposes only and forms no part of the claimed design.

**1 Claim, 5 Drawing Sheets**



(56)

**References Cited**

U.S. PATENT DOCUMENTS

D587,215	S *	2/2009	Ohlert .....	D13/171
D592,223	S *	5/2009	Neuhaus .....	D14/491
D606,553	S *	12/2009	Kocmick .....	D14/492
D623,656	S *	9/2010	Fitzmaurice .....	D14/488
D632,263	S *	2/2011	Lin .....	D13/168
D664,933	S *	8/2012	Clymer .....	D13/174
8,253,272	B2 *	8/2012	Schulzman .....	F04D 25/068 307/155
D670,659	S *	11/2012	Ishikawa .....	D13/168
D682,877	S *	5/2013	Hartley .....	D14/488
D683,754	S *	6/2013	Phelan .....	D14/489
D706,822	S *	6/2014	Wang .....	D14/489
D708,638	S *	7/2014	Manzari .....	D14/492
D724,547	S *	3/2015	Baldwin .....	D13/168
D738,913	S *	9/2015	Cabrera-Cordon .....	D14/491
9,150,147	B2 *	10/2015	Brush .....	G06F 3/0482
9,176,701	B2 *	11/2015	Becze .....	G06F 3/1438
D746,334	S *	12/2015	Boot .....	D14/489
D759,717	S *	6/2016	Lee .....	D14/491
2005/0267676	A1 *	12/2005	Nezu .....	B60K 35/00 701/532
2010/0262929	A1 *	10/2010	Avery .....	G06F 3/0488 715/771

\* cited by examiner

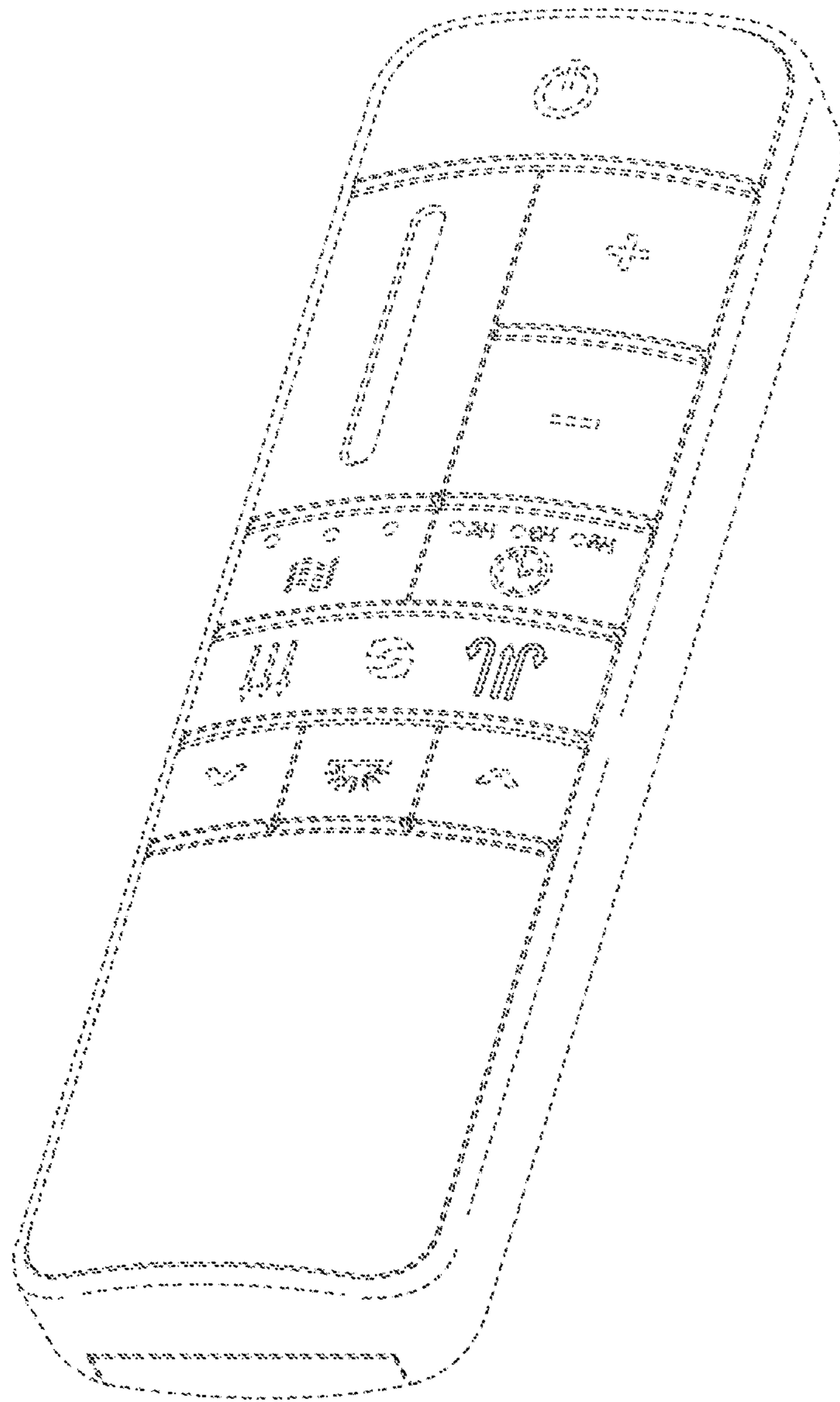


FIG. 1

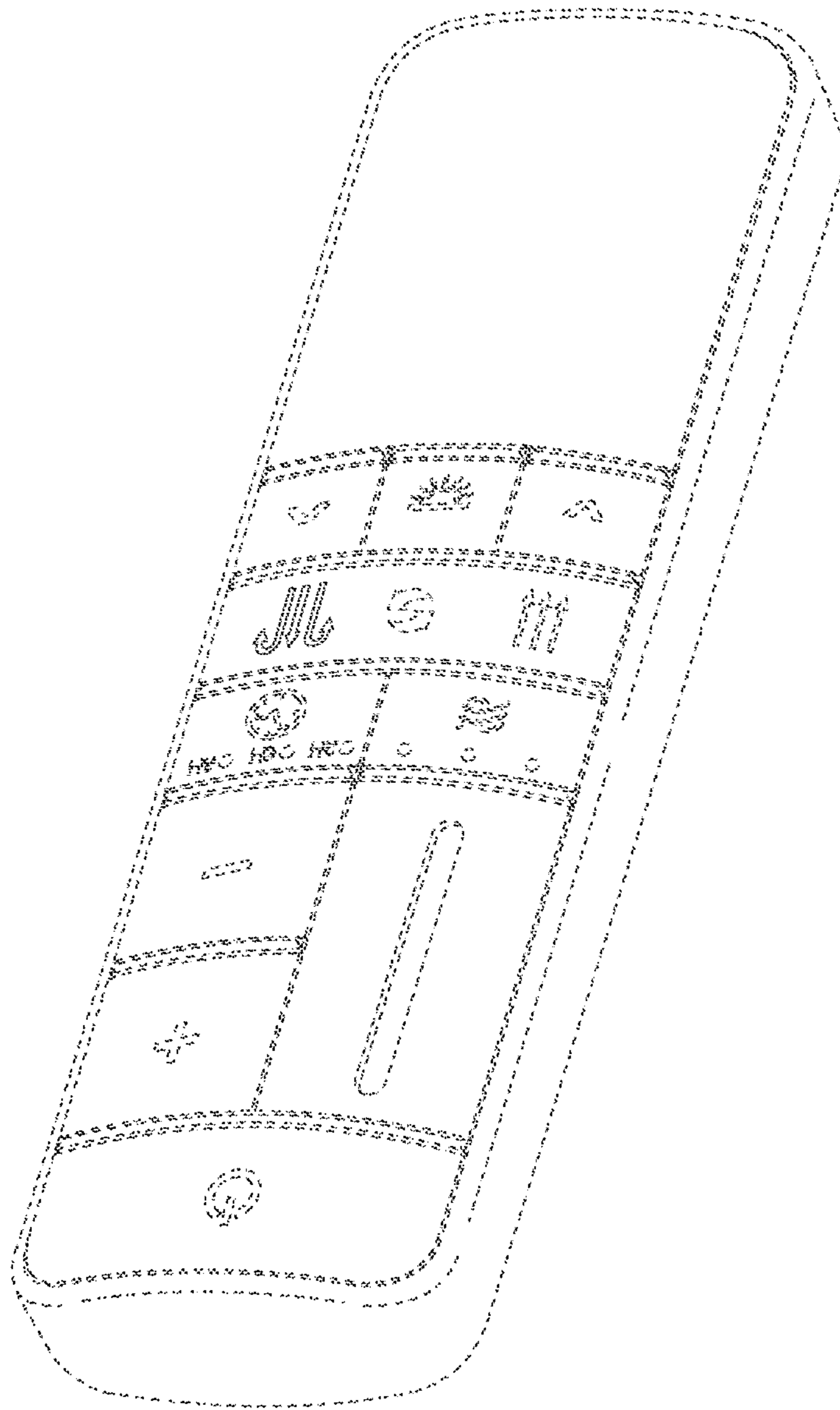


FIG. 2

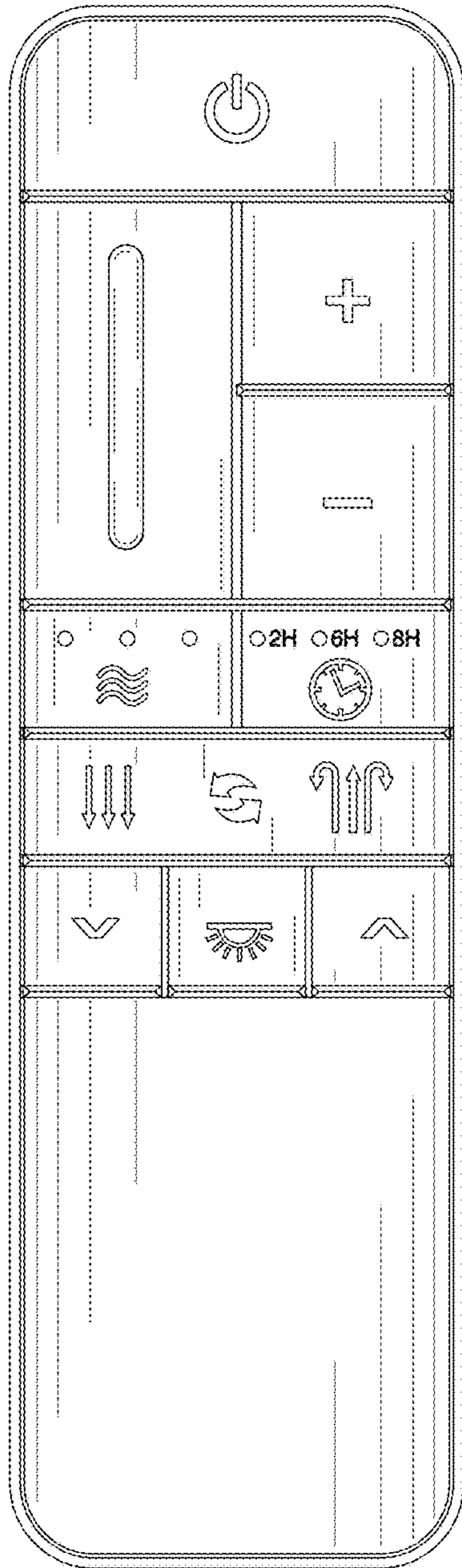


FIG. 3

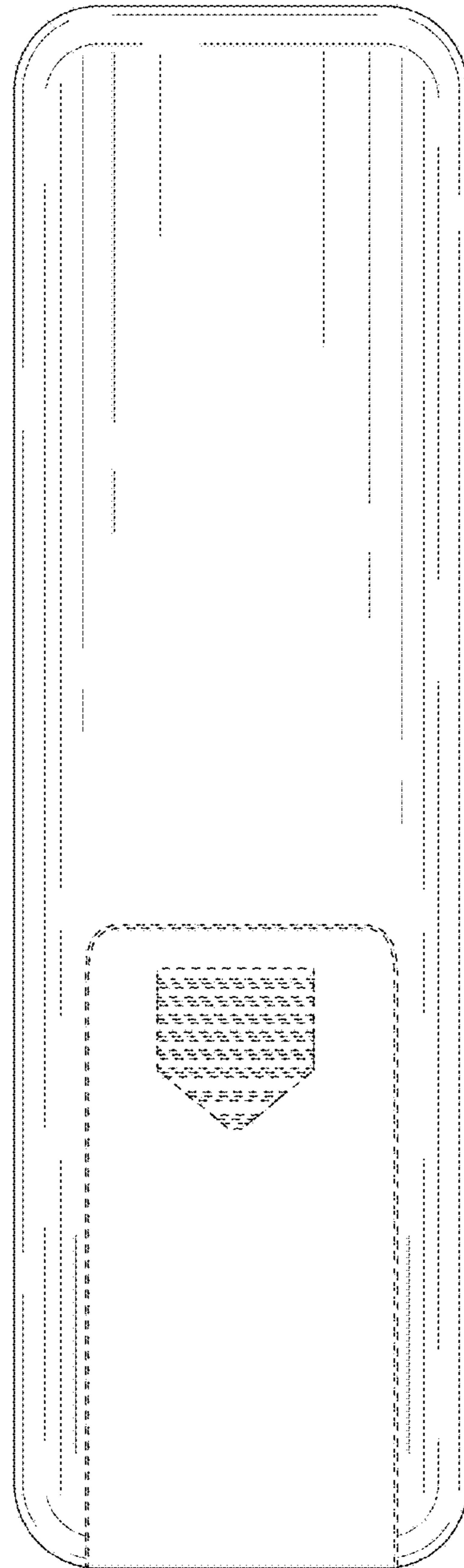


FIG. 4

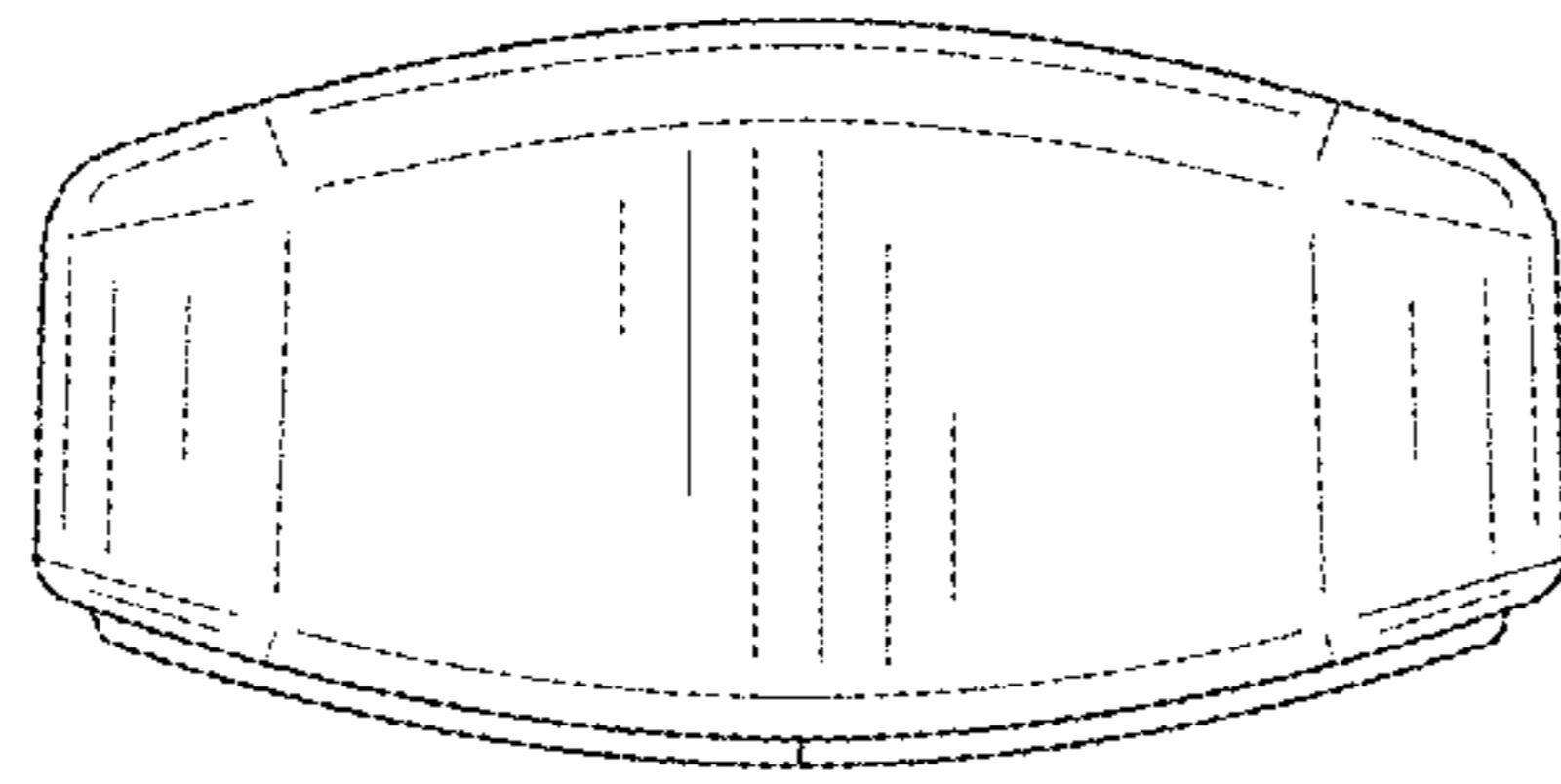


FIG. 5

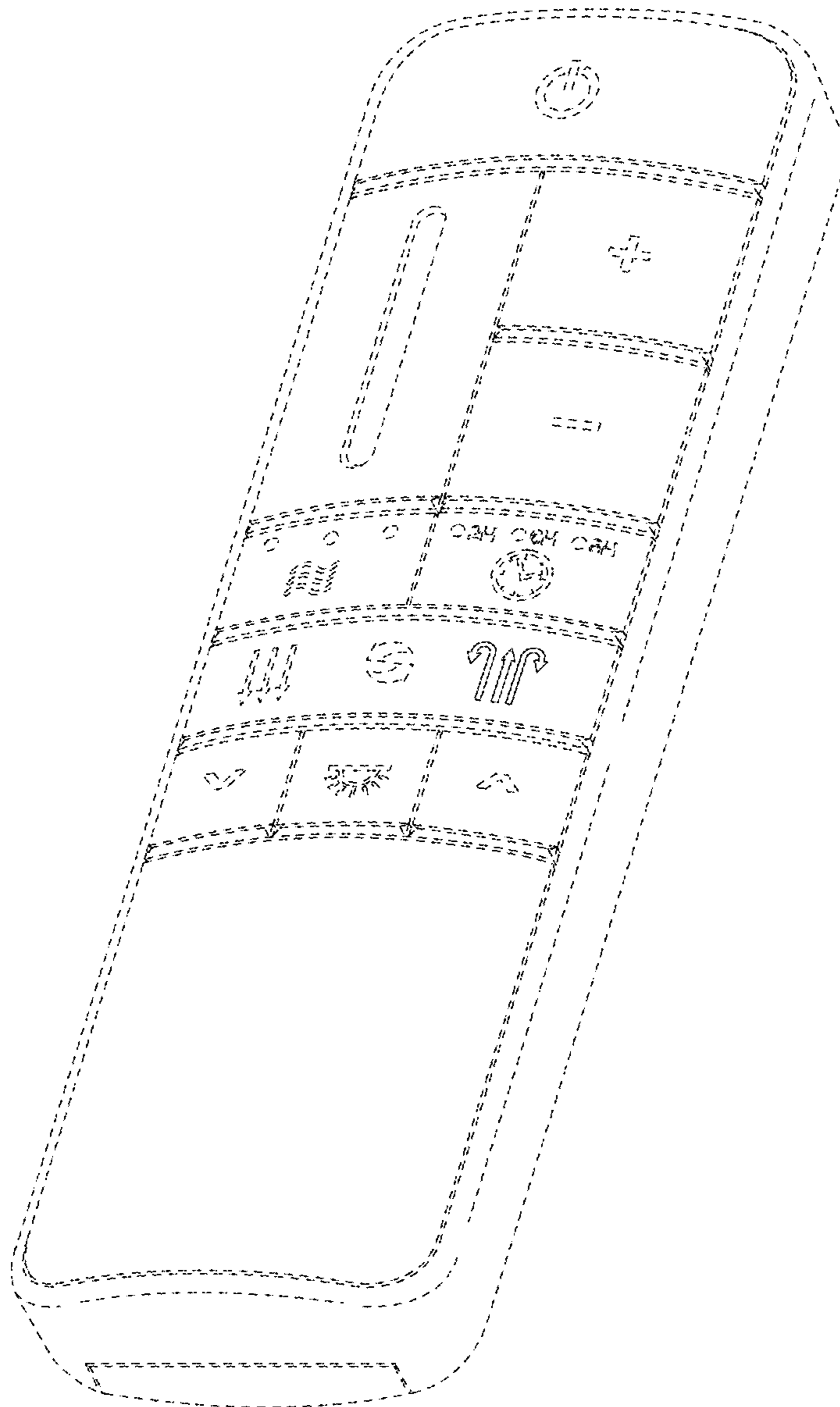


FIG. 6

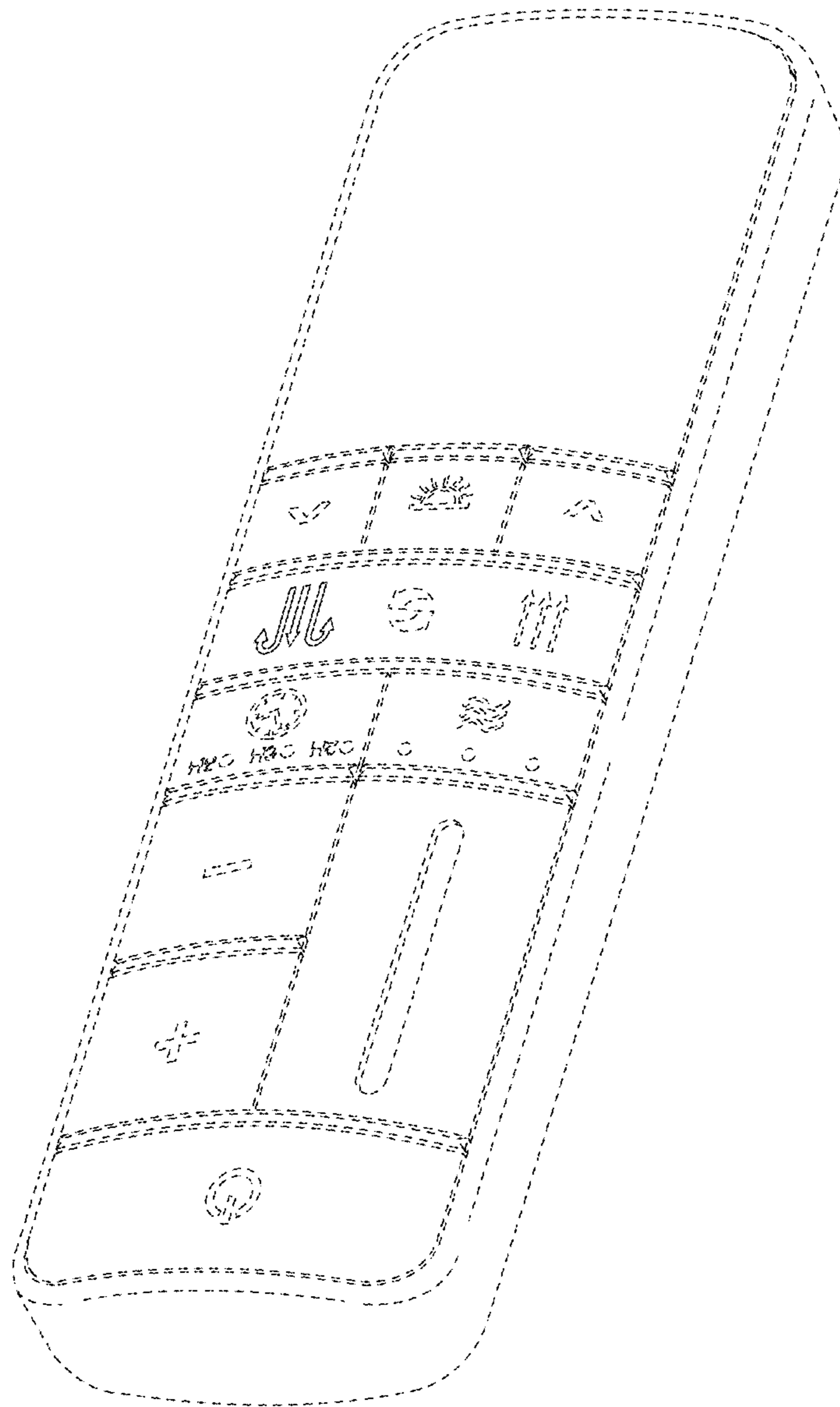


FIG. 7

UNITED STATES PATENT AND TRADEMARK OFFICE  
**CERTIFICATE OF CORRECTION**

PATENT NO. : D799,436 S  
APPLICATION NO. : 29/503579  
DATED : October 10, 2017  
INVENTOR(S) : Michael Nelson

Page 1 of 1

It is certified that error appears in the above-identified patent and that said Letters Patent is hereby corrected as shown below:

On the Title Page

Item (57), under Description:

Please cancel the descriptions of Figures 3-7.

Please amend the descriptions of Figures 1 and 2 to read as follows:

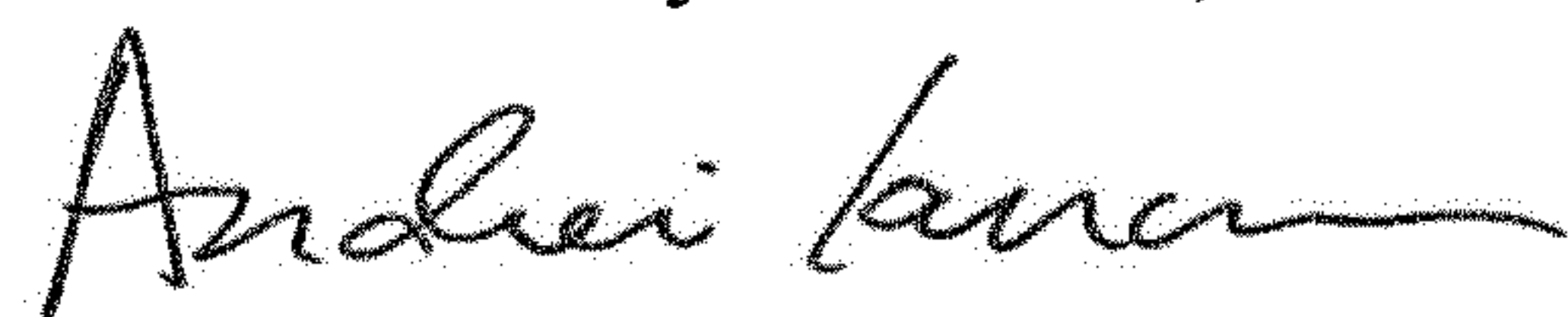
--FIG. 1 is a perspective view of my remote controller; and  
FIG. 2 is another prespective view thereof.--.

Under abstract "1 Claims, 5 Drawing Sheets" should read --1 Claims, 2 Drawing Sheets--.

In the Drawings

Please cancel Figures 3-7.

Signed and Sealed this  
Twelfth Day of March, 2019



Andrei Iancu  
*Director of the United States Patent and Trademark Office*