



US00D799434S

(12) **United States Design Patent** (10) **Patent No.:** **US D799,434 S**
Ott et al. (45) **Date of Patent:** **** Oct. 10, 2017**

(54) **ORDER AND SIGNALING DEVICES FOR LOW-VOLTAGE SWITCHGEARS**

(71) Applicant: **Siemens Aktiengesellschaft**, Munich (DE)

(72) Inventors: **Gunter Ott**, Erlangen (DE); **Henning Strobel**, Nuremberg (DE); **Christoph Tomczak**, Erlangen (DE)

(73) Assignee: **SIEMENS AKTIENGESELLSCHAFT**, Munich (DE)

(**) Term: **14 Years**

(21) Appl. No.: **29/514,864**

(22) Filed: **Jan. 16, 2015**

(30) **Foreign Application Priority Data**

Jul. 24, 2014 (EM) 001418172

(51) **LOC (10) Cl.** **13-03**

(52) **U.S. Cl.**
USPC **D13/173**

(58) **Field of Classification Search**
USPC D13/171, 173, 174
CPC H01H 9/0066; H01H 3/022; H01H 13/023
See application file for complete search history.

(56) **References Cited**

U.S. PATENT DOCUMENTS

D344,930 S * 3/1994 Schaeffer D13/171
D432,997 S * 10/2000 Bonn D13/174
D432,998 S * 10/2000 Decosse D13/174
D507,543 S * 7/2005 Ishii D13/174
D601,100 S * 9/2009 Wahrenberg D13/171

8,207,466 B2 * 6/2012 Singh H01H 13/023
200/329
D689,827 S * 9/2013 Mayer D13/171
D725,050 S * 3/2015 Tsugawa D13/171
D753,070 S * 4/2016 Tsugawa D13/173
D753,611 S * 4/2016 Tsugawa D13/173
2006/0144682 A1 * 7/2006 Karweik H01H 9/0066
200/329
2010/0243418 A1 * 9/2010 Machida H01H 3/022
200/341

* cited by examiner

Primary Examiner — George D Kirschbaum

(74) *Attorney, Agent, or Firm* — Harness, Dickey & Pierce, P.L.C.

(57) **CLAIM**

The ornamental design for an order and signaling devices for low-voltage-switchgears, as shown and described herein.

DESCRIPTION

FIG. 1 is a front view of a first embodiment of an order and signaling devices for low-voltage-switchgears;
FIG. 2 is a rear view thereof;
FIG. 3 is a top view thereof;
FIG. 4 is a bottom view thereof;
FIG. 5 is a right side view thereof;
FIG. 6 is a left side view thereof; and
FIG. 7 is a perspective view thereof.
FIG. 8 is a front view of a second embodiment of an order and signaling devices for low-voltage-switchgears;
FIG. 9 is a rear view thereof;
FIG. 10 is a top view thereof;
FIG. 11 is a bottom view thereof;
FIG. 12 is a right side view thereof;
FIG. 13 is a left side view thereof; and
FIG. 14 is a perspective view thereof.

1 Claim, 14 Drawing Sheets

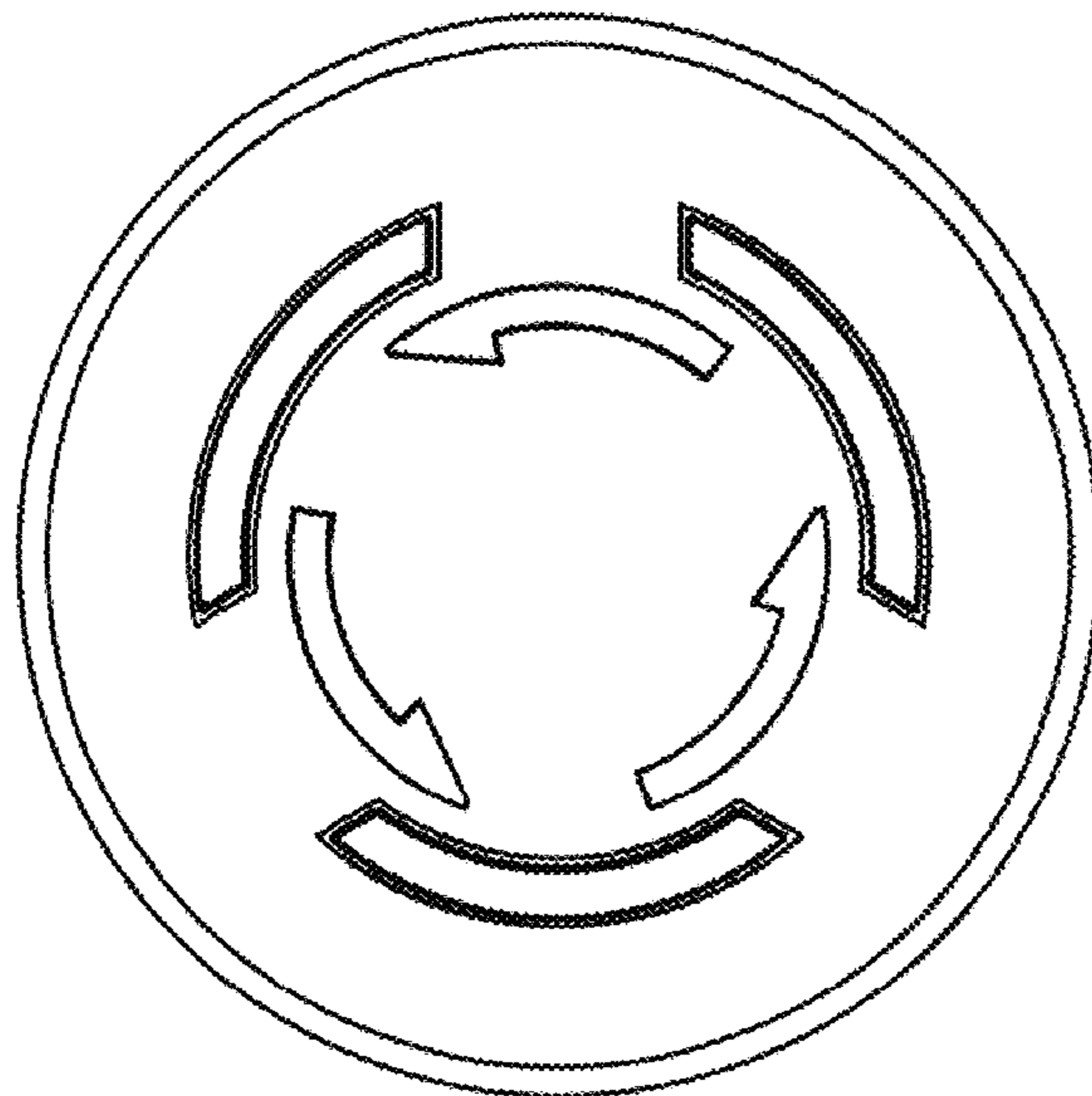


FIG. 1

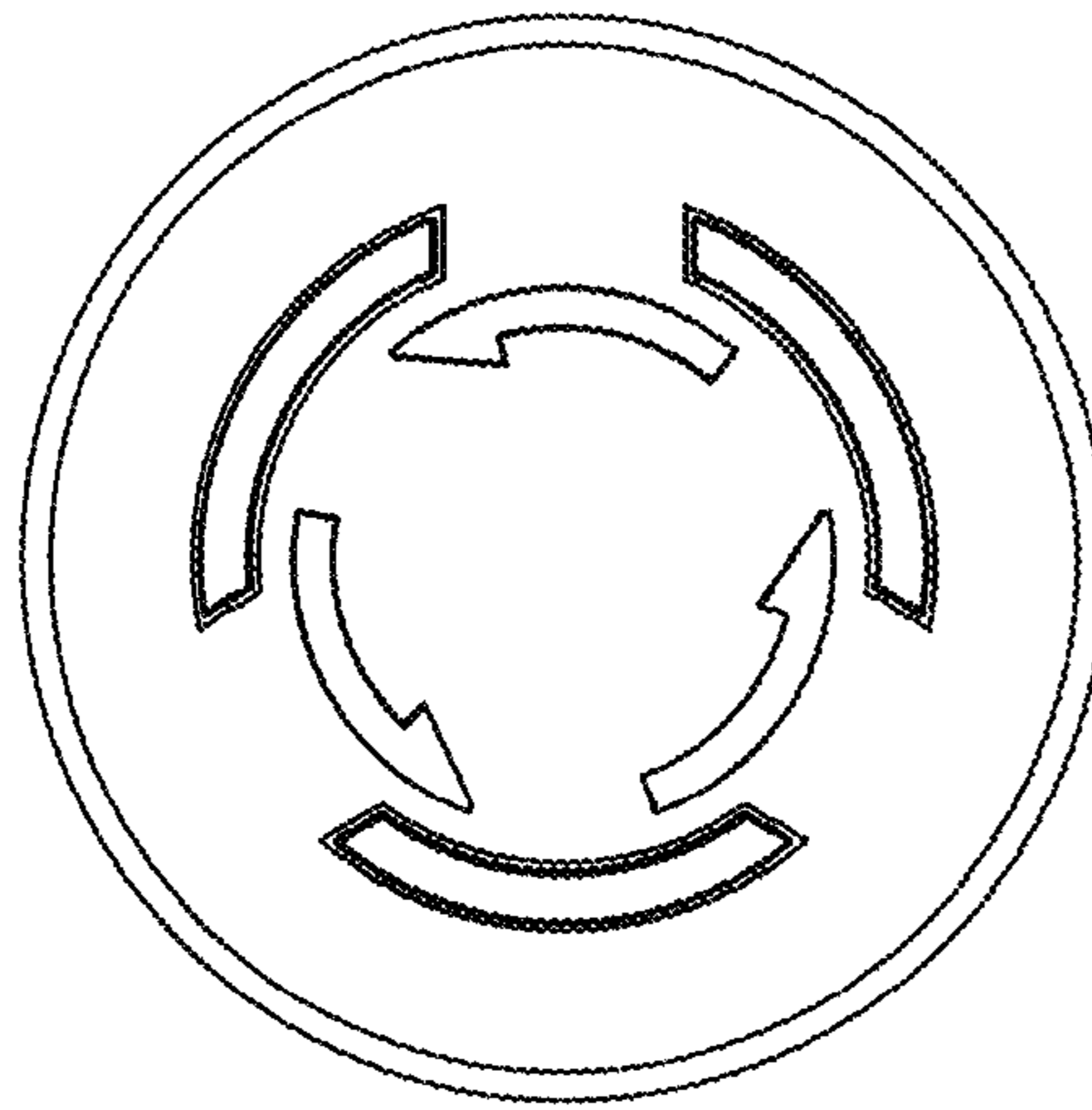


FIG. 2

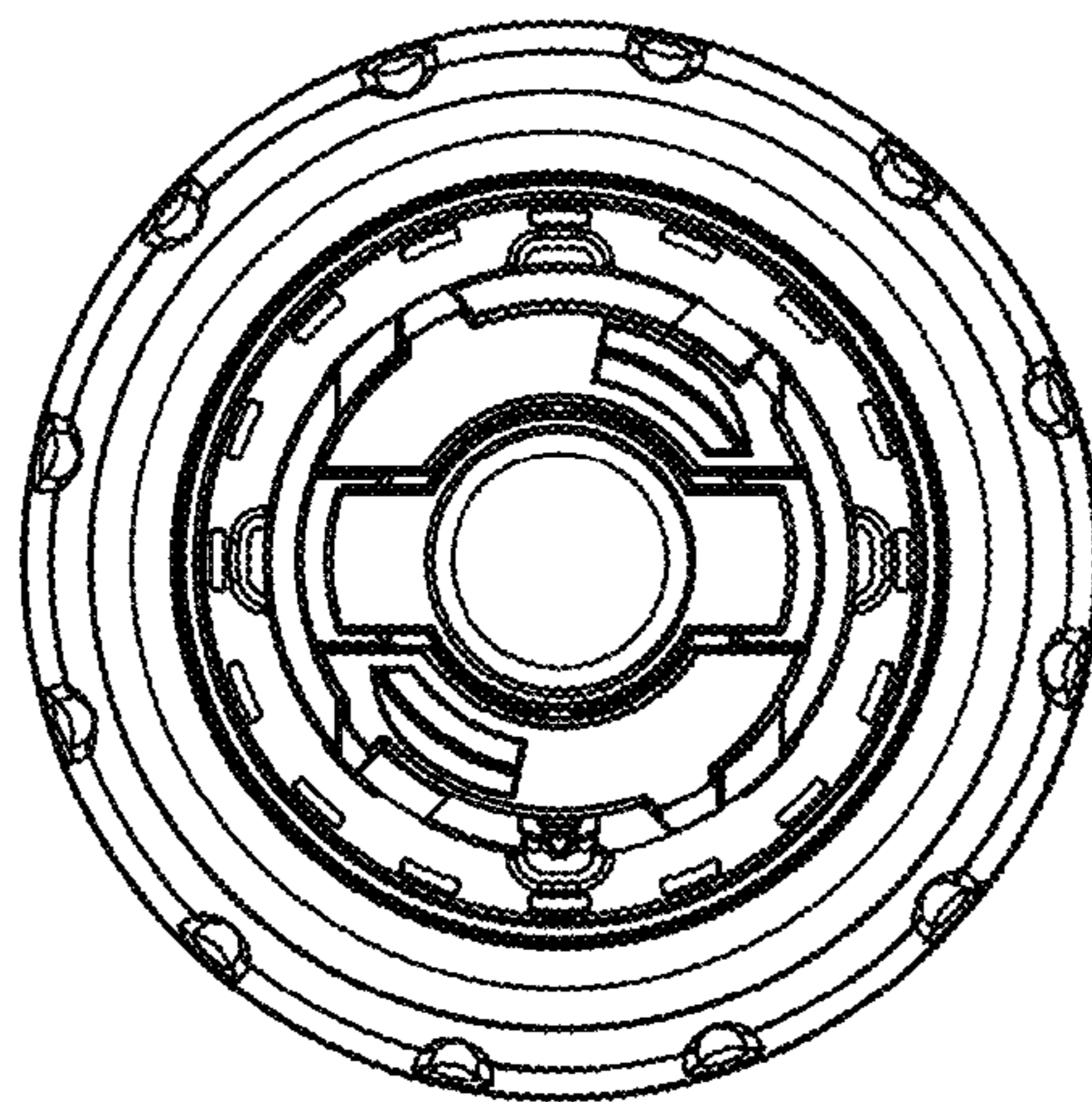


FIG. 3

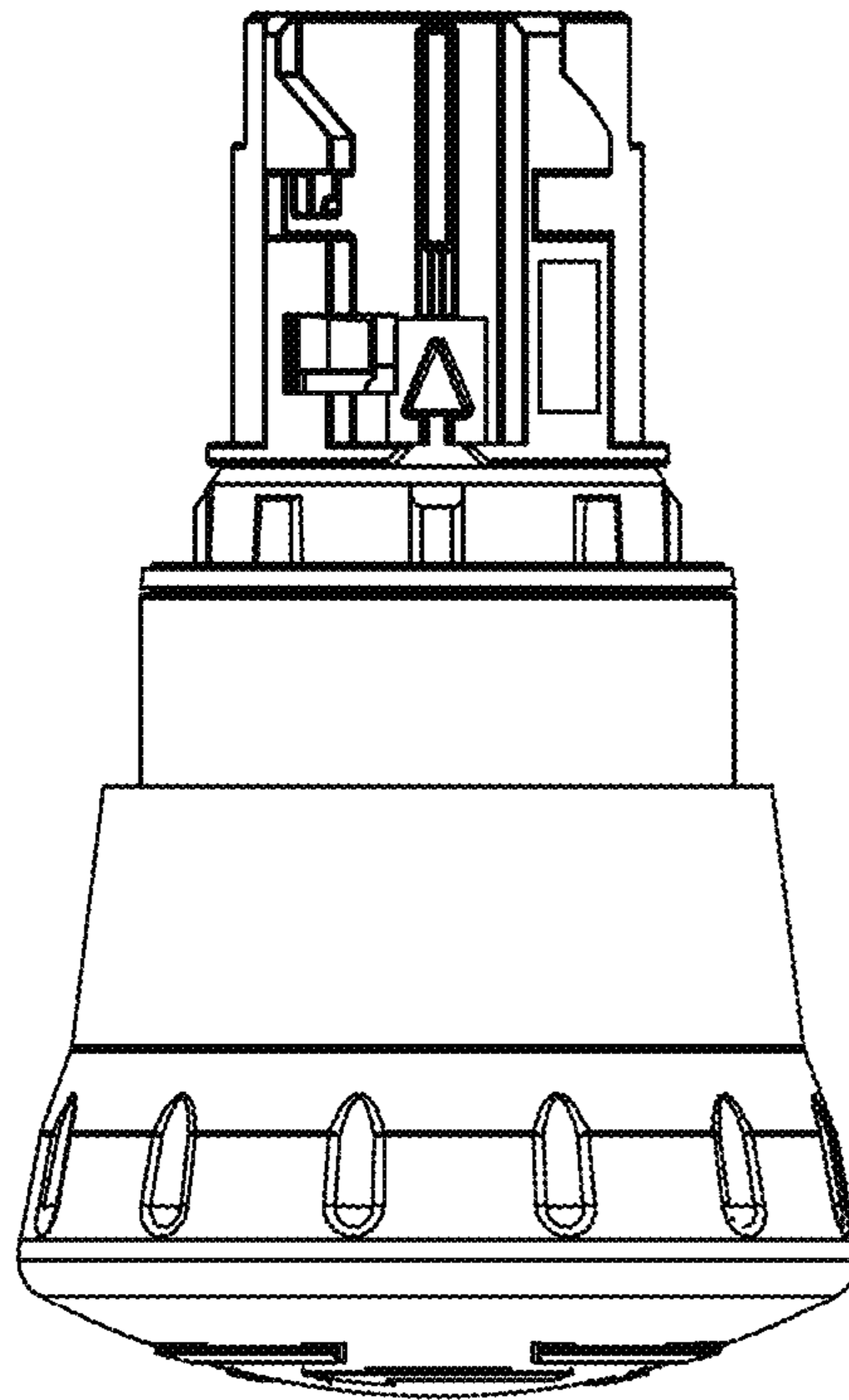


FIG. 4

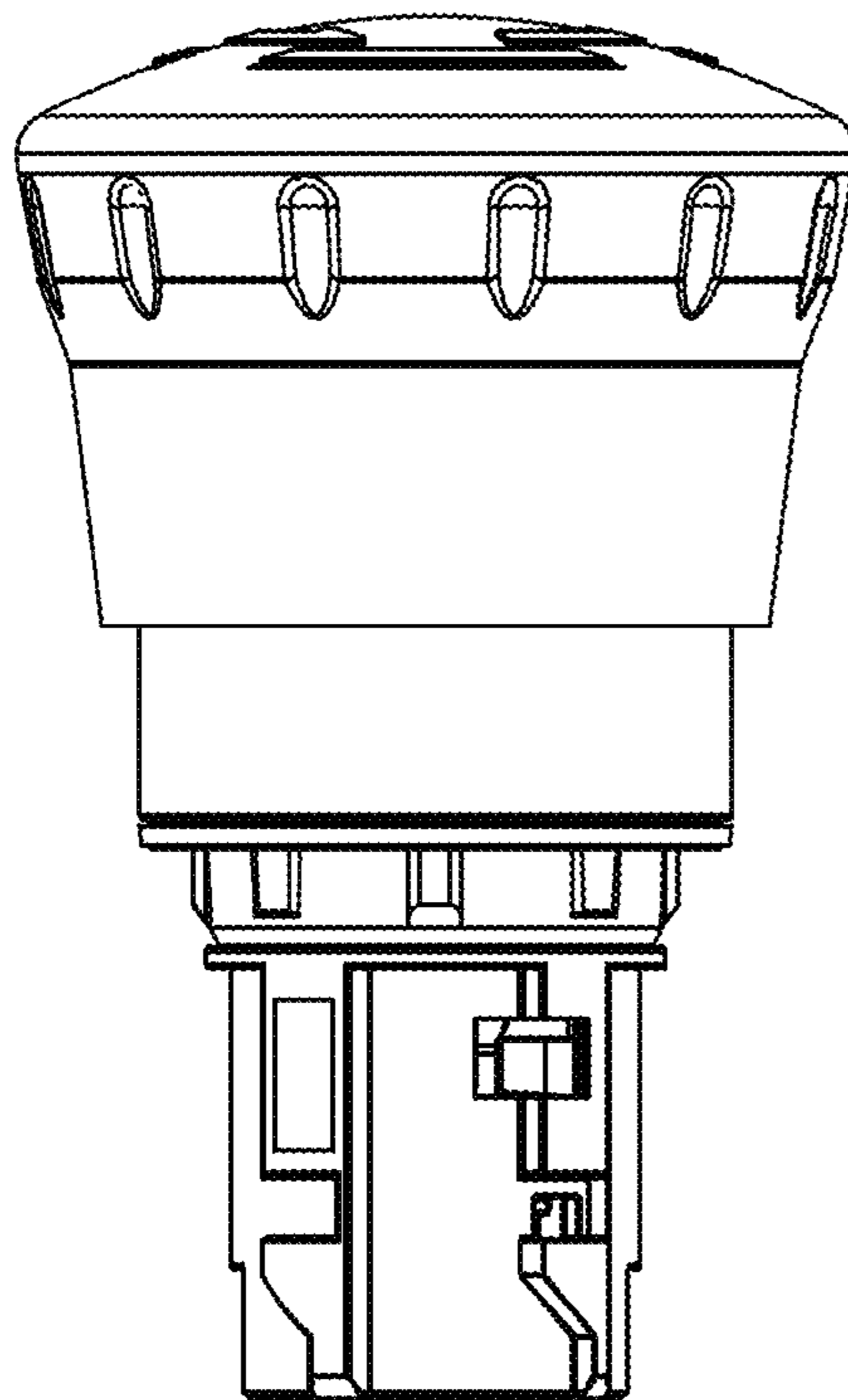


FIG. 5

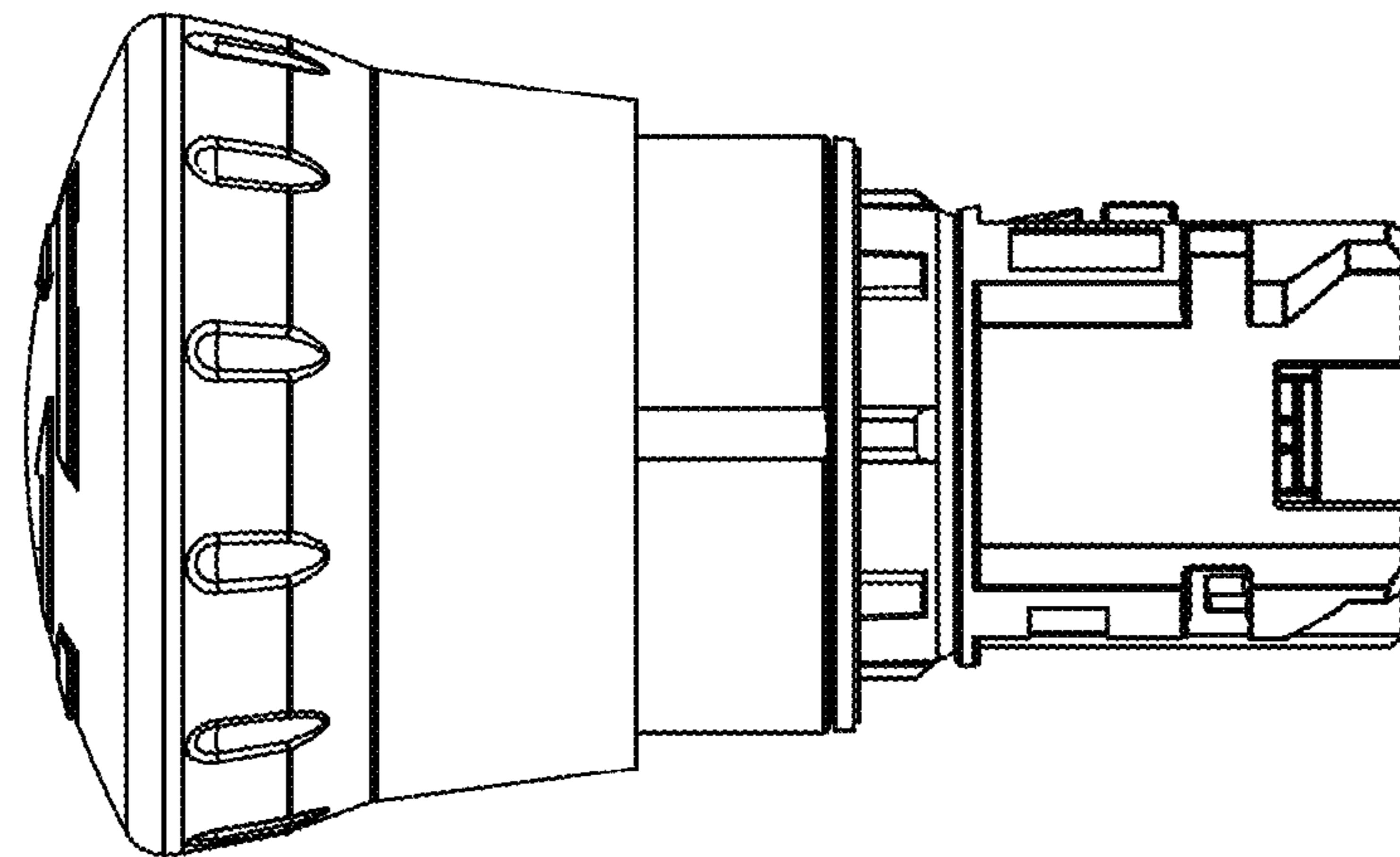


FIG. 6

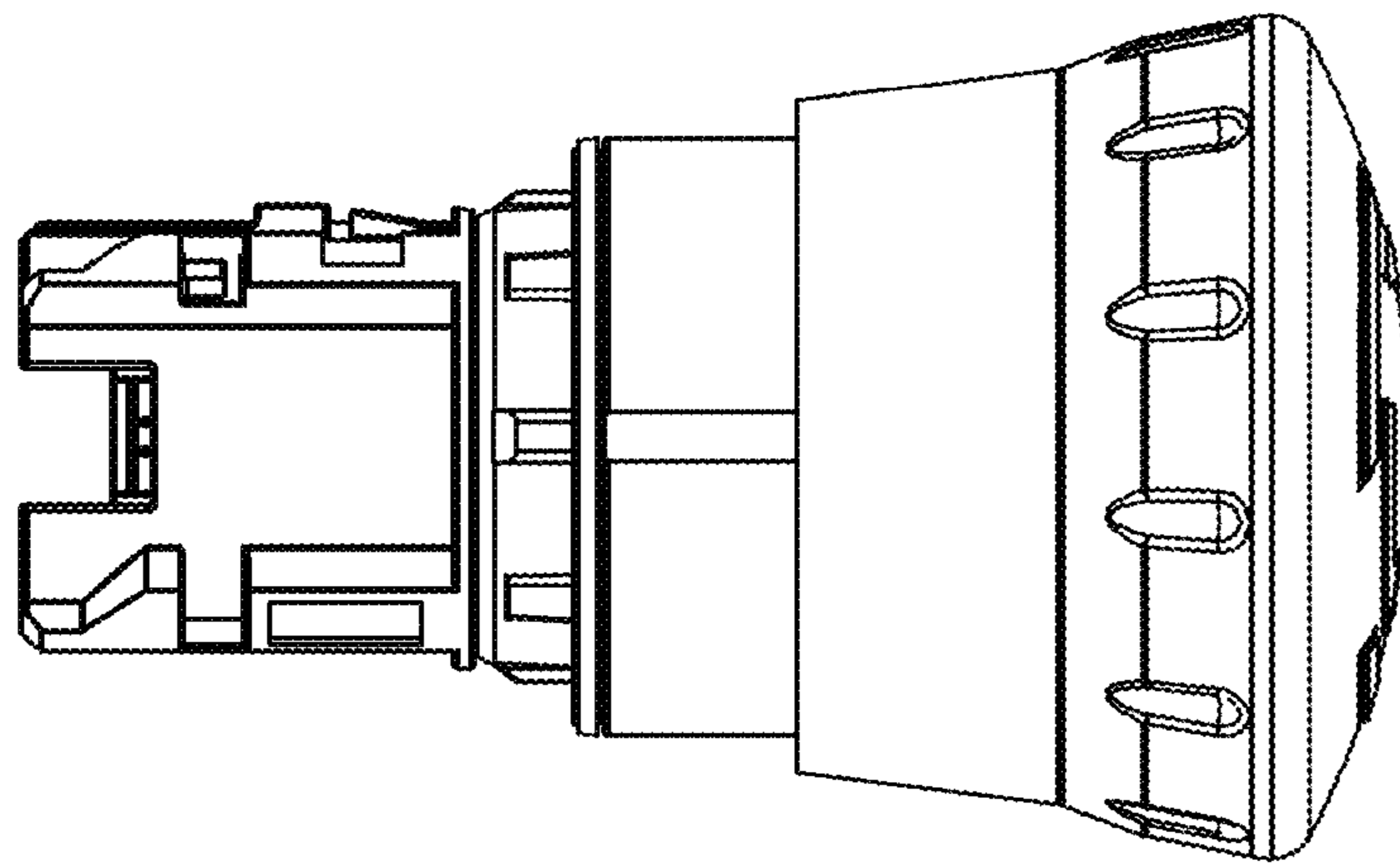


FIG. 7

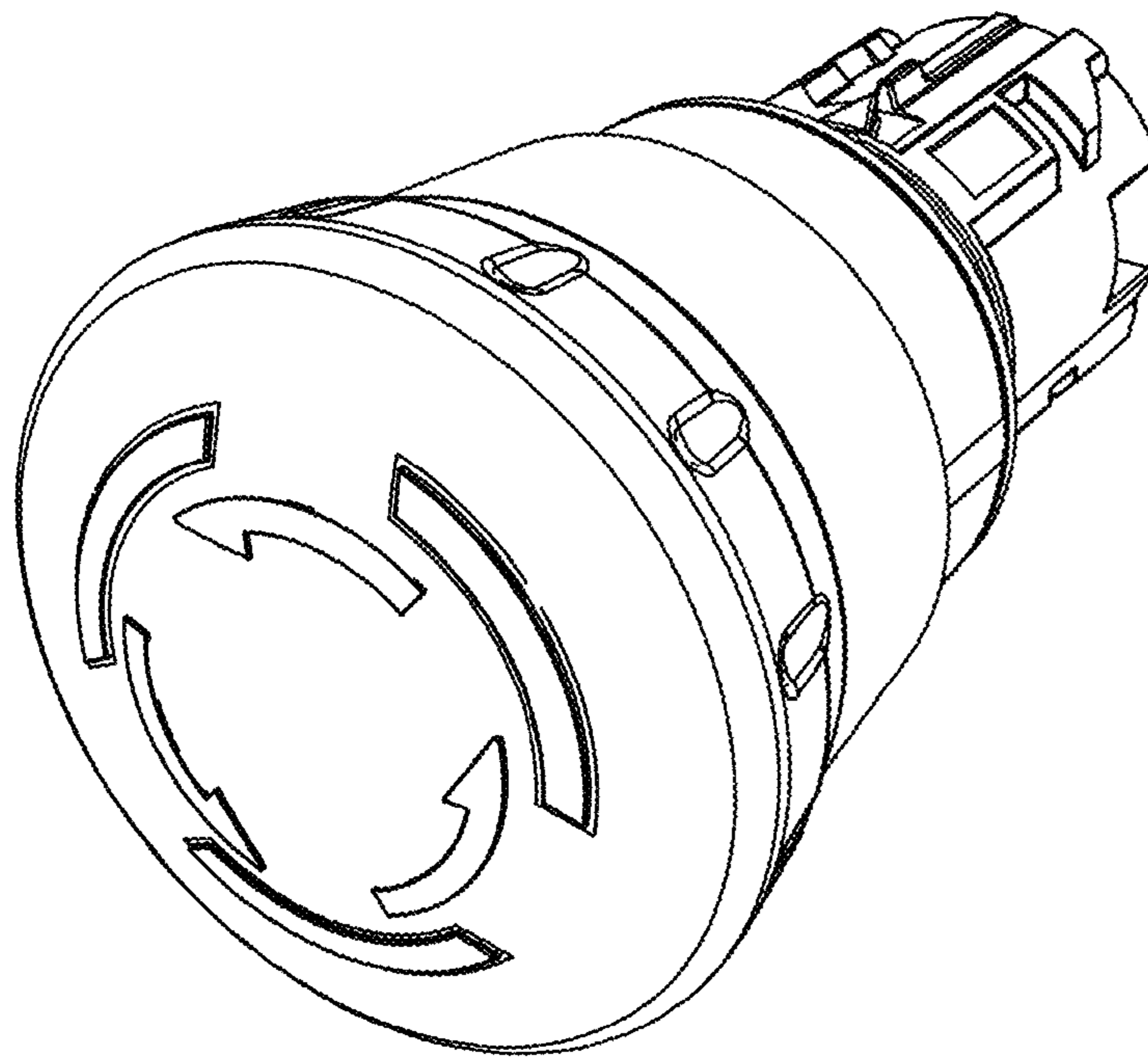


FIG. 8

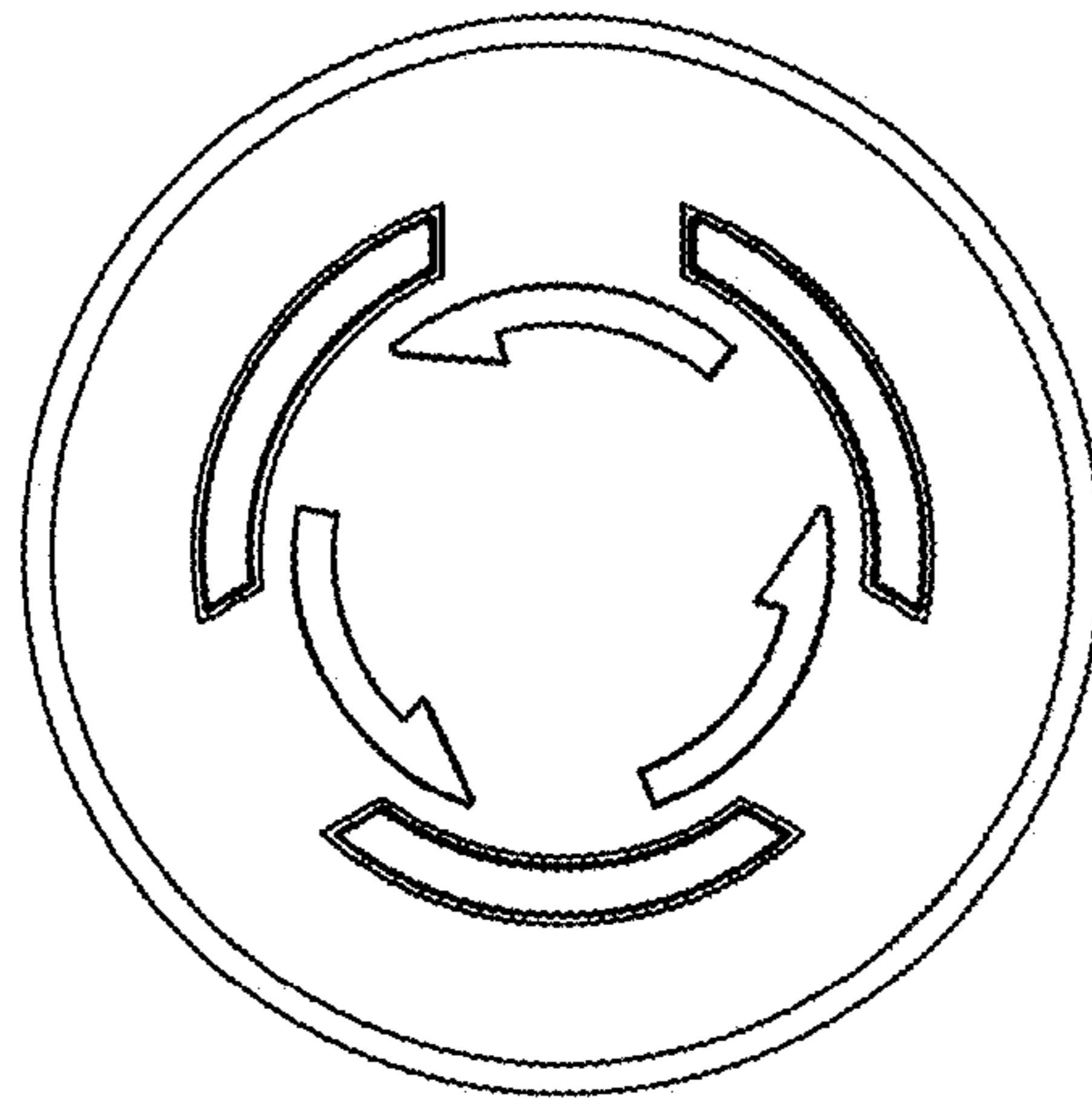


FIG. 9

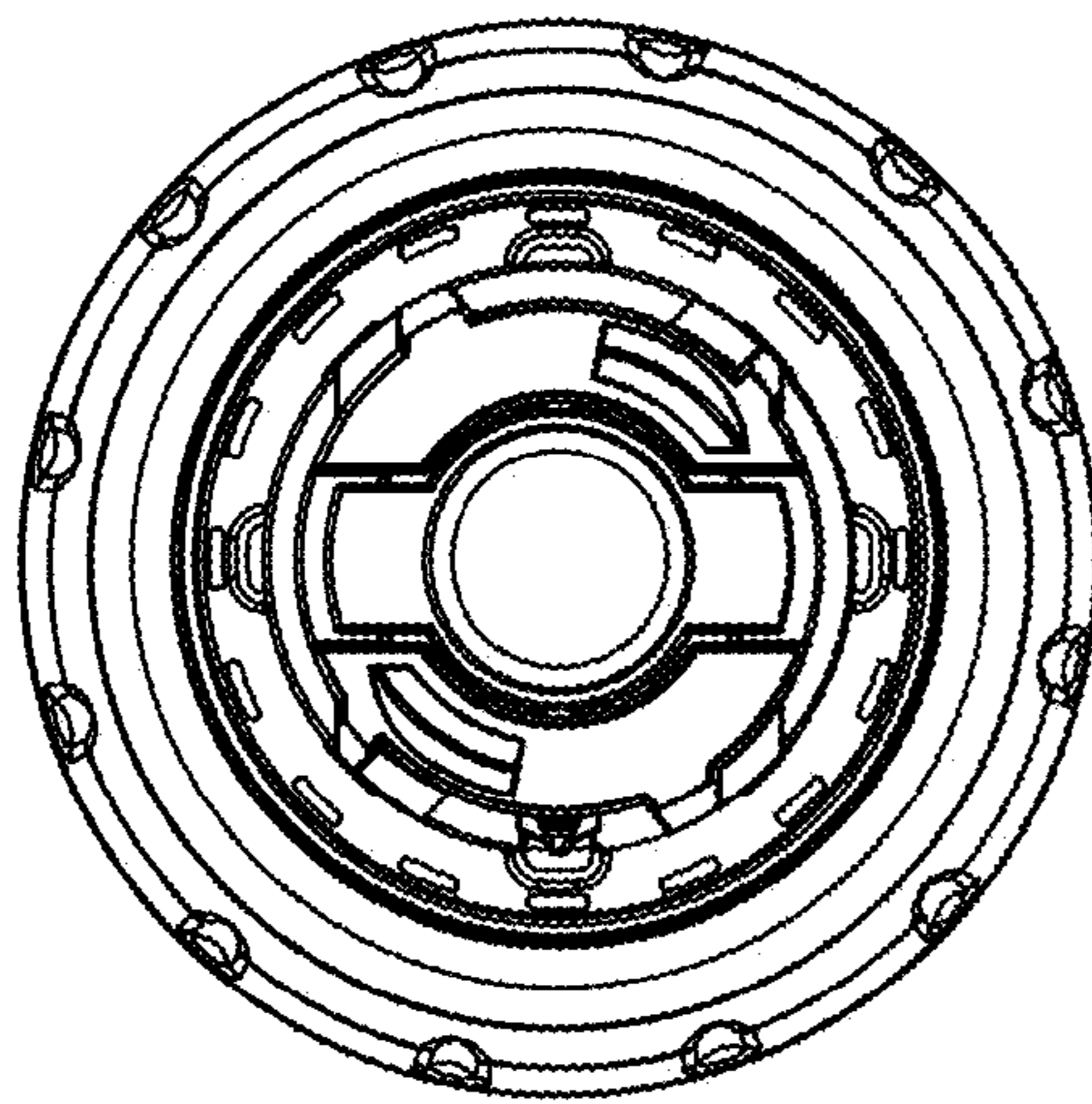


FIG. 10

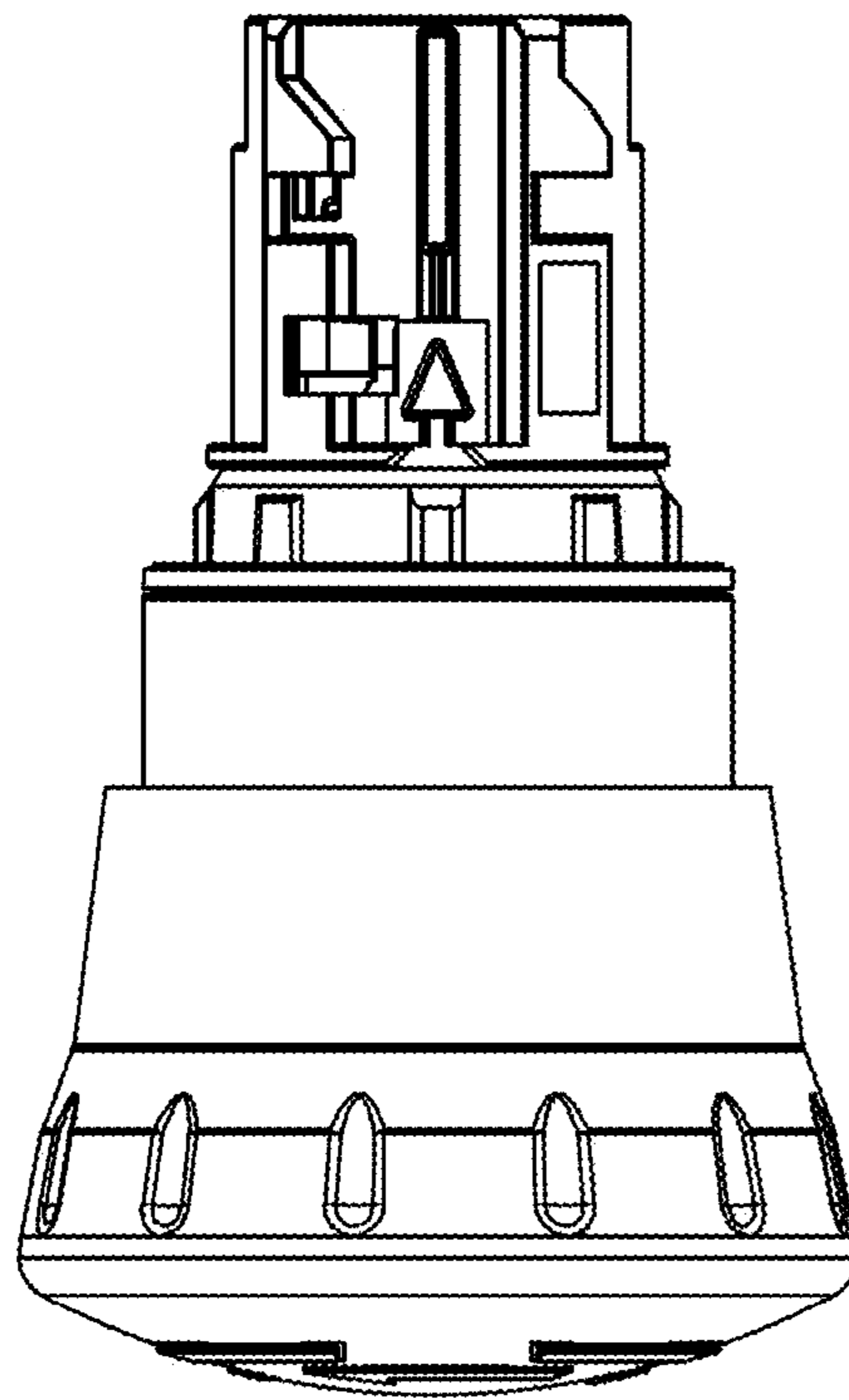


FIG. 11

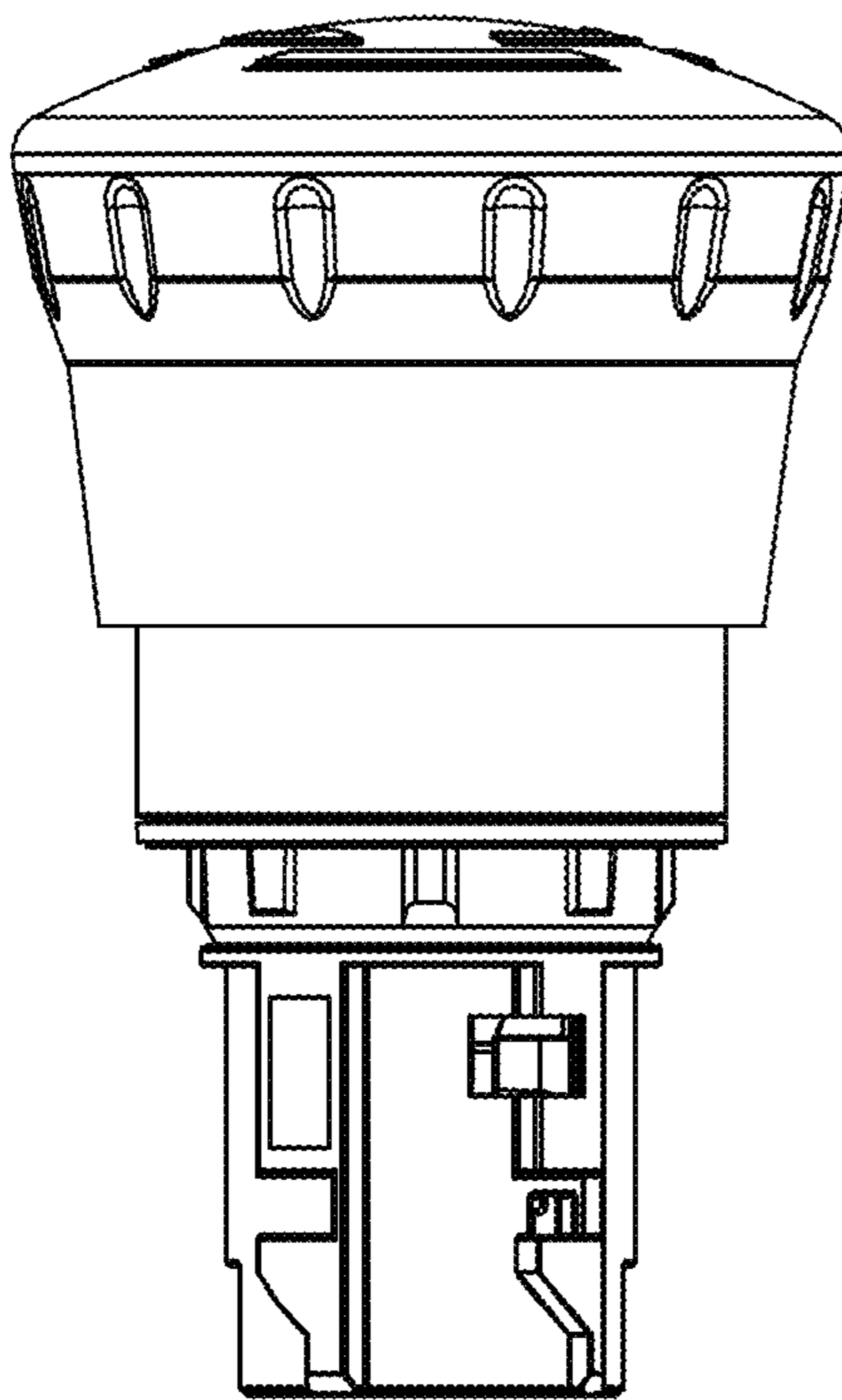


FIG. 12

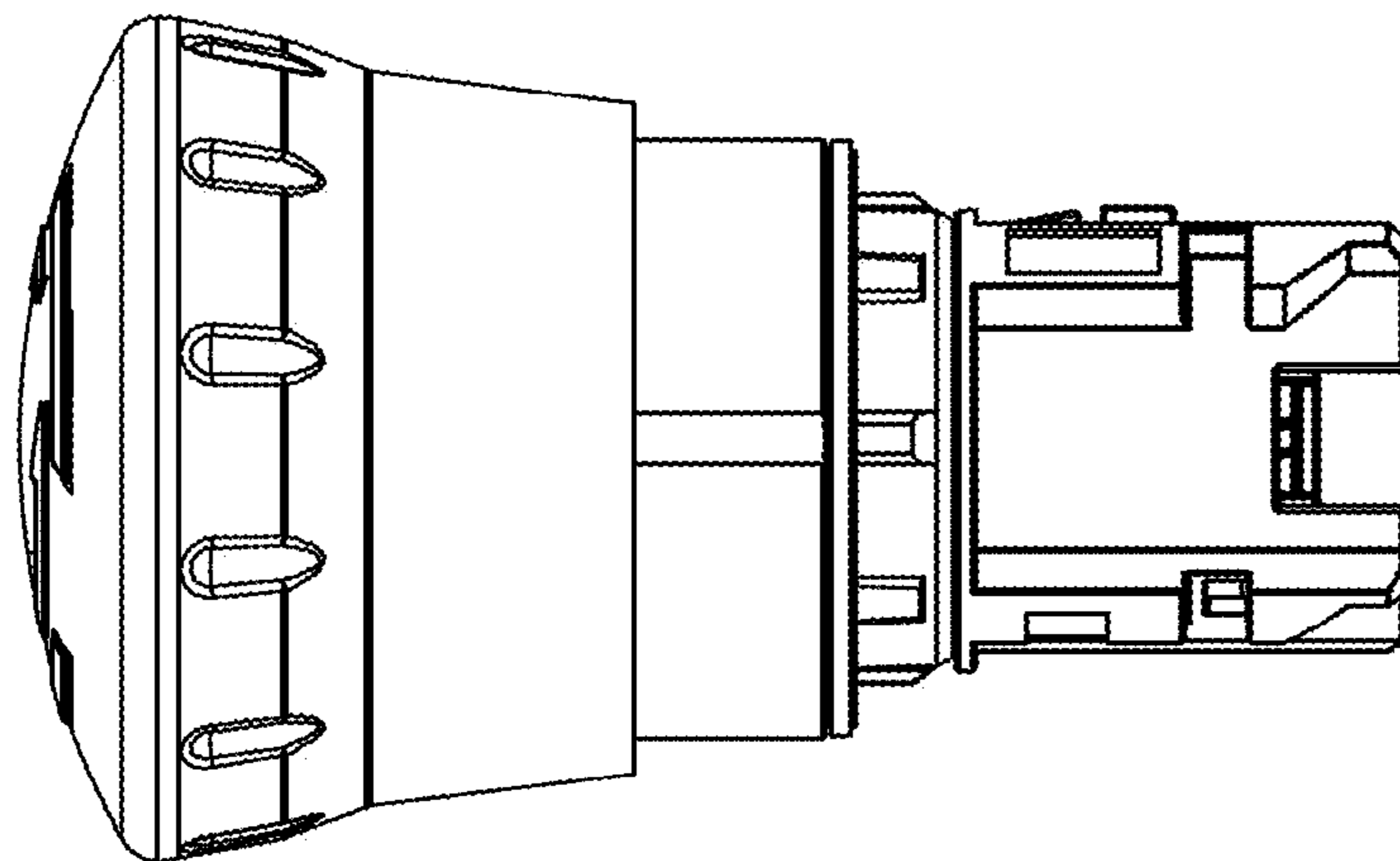


FIG. 13

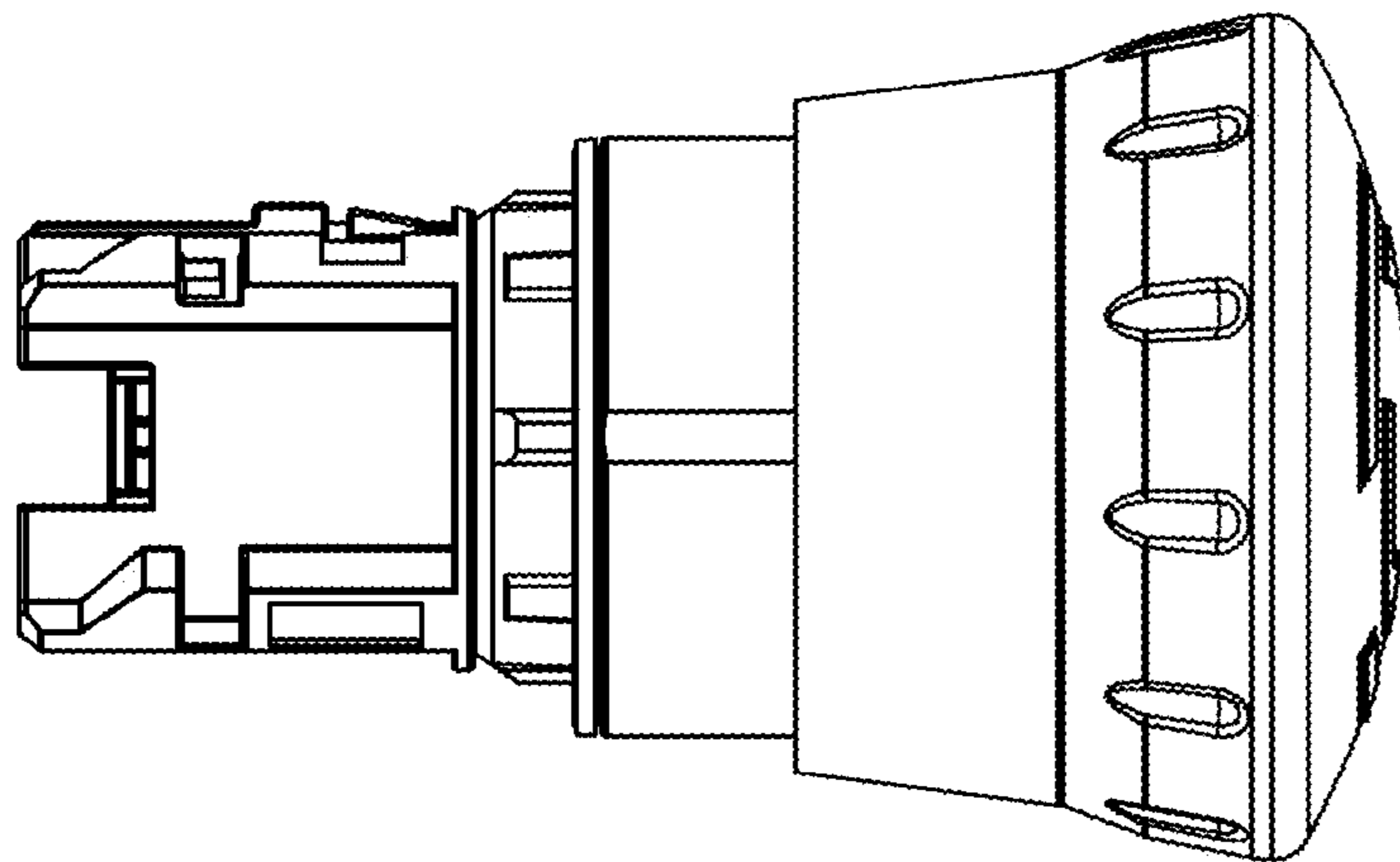


FIG. 14

