

US00D799432S

(12) **United States Design Patent** (10) **Patent No.:** **US D799,432 S**
McRoberts (45) **Date of Patent:** **** Oct. 10, 2017**

(54) **WALL CONTROLLER**
(71) Applicant: **HUNTER FAN COMPANY**,
Memphis, TN (US)
(72) Inventor: **Claire Bernice McRoberts**, Memphis,
TN (US)
(73) Assignee: **Hunter Fan Company**, Memphis, TN
(US)

D654,030 S * 2/2012 Hoffknecht D13/164
D657,319 S * 4/2012 Feldstein D13/164
D714,736 S * 10/2014 O'Donnell D13/164
D733,668 S * 7/2015 Altonen D13/168
D734,277 S * 7/2015 Jacoby D13/164
D755,133 S * 5/2016 Altonen D13/168
D755,739 S * 5/2016 Altonen D13/168
D781,792 S * 3/2017 Okawa D13/162
2009/0058193 A1 * 3/2009 Reid H05B 37/0227
307/116

(**) Term: **15 Years**
(21) Appl. No.: **29/582,449**
(22) Filed: **Oct. 27, 2016**
(51) **LOC (10) Cl.** **13-03**
(52) **U.S. Cl.**
USPC **D13/162; D13/174**
(58) **Field of Classification Search**
USPC D13/162, 164, 171, 174
CPC H01H 3/02; H01H 3/0213; H01H 3/12;
H01H 3/122; H01H 9/02; H01H 9/16;
H01H 9/161; H01H 9/18; H05B 33/0803;
H05B 33/0863; H05B 37/0227; H05B
37/0272; H05B 39/02; H05B 39/085;
H05B 39/086; H05B 39/088
See application file for complete search history.

(56) **References Cited**
U.S. PATENT DOCUMENTS
D412,492 S 8/1999 Gatchell
6,593,530 B2 * 7/2003 Hunt H01H 9/18
174/66
7,312,695 B2 * 12/2007 Lehmer G09F 9/302
307/115
D633,448 S * 3/2011 Biery D13/171
D633,874 S * 3/2011 Feldstein D13/164
D638,375 S * 5/2011 Clymer D13/168
D649,520 S * 11/2011 Jacoby D13/164

OTHER PUBLICATIONS

<http://www.homedepot.com/p/Hampton-Bay-Universal-Ceiling-Fan-Wireless-Wall-Control-68109/205846346>, Item Specification for Hampton Bay Universal Ceiling Fan Wireless Wall Control, Model No. 68109, Accessed on Oct. 27, 2016.

(Continued)

Primary Examiner — Selina Sikder
(74) *Attorney, Agent, or Firm* — McGarry Bair PC

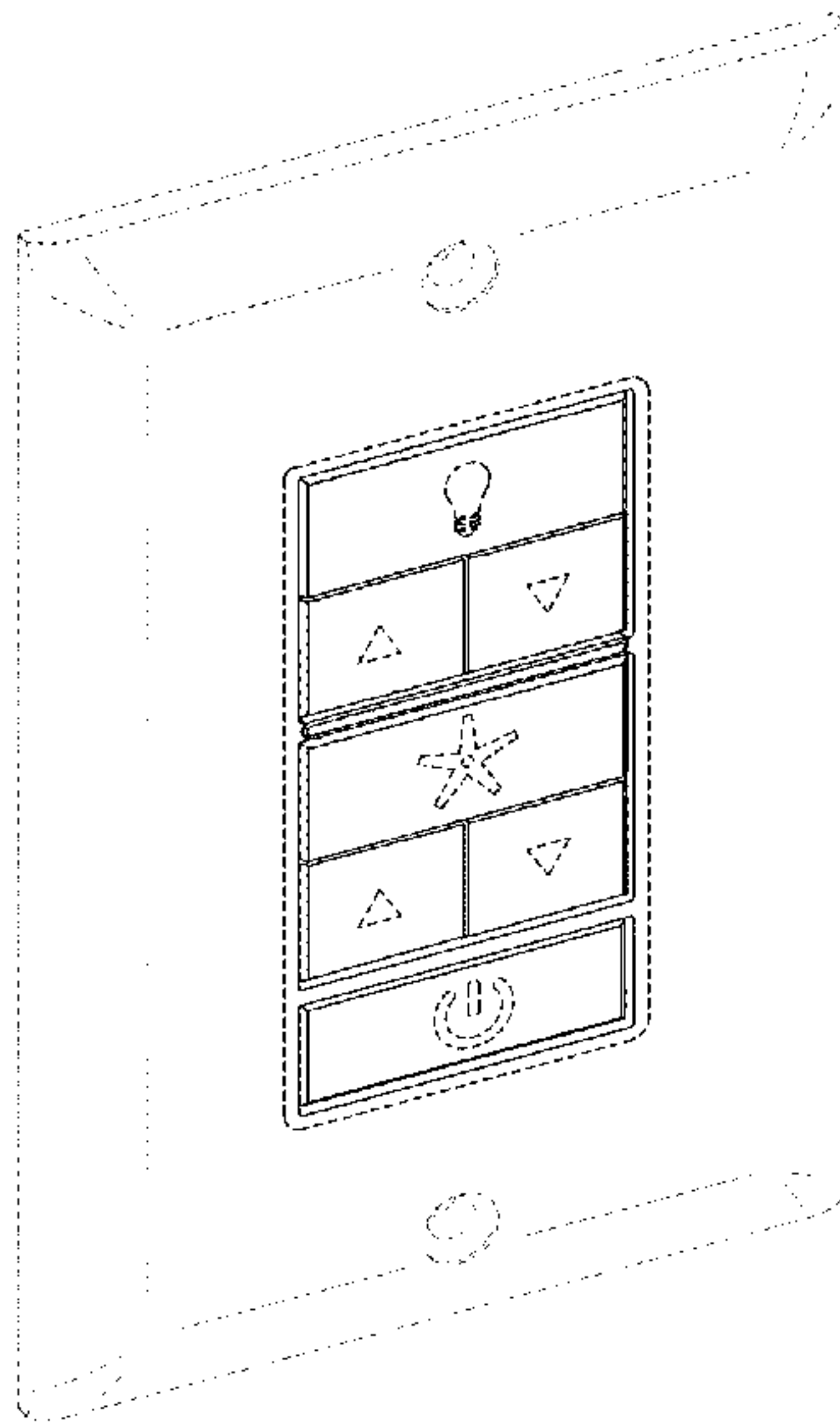
(57) **CLAIM**

The ornamental design for a wall controller, as shown and described.

DESCRIPTION

FIG. 1 is a top perspective view of a wall controller;
FIG. 2 is a bottom perspective view of the wall controller of FIG. 1;
FIG. 3 is a top view of the wall controller of FIG. 1;
FIG. 4 is a bottom view of the wall controller of FIG. 1;
FIG. 5 is a left side view of the wall controller of FIG. 1;
FIG. 6 is a right side view of the wall controller of FIG. 1;
FIG. 7 is a front side view of the wall controller of FIG. 1;
and,
FIG. 8 is a rear side view of the wall controller of FIG. 1.
Portions of the wall controller shown in broken lines form no part of the claimed design.

1 Claim, 8 Drawing Sheets



(56)

References Cited

OTHER PUBLICATIONS

<http://www.homedepot.com/p/Hunter-Fan-Light-Wall-Remote-Control-99120/204468846>, Item Specification for Hunter Fan Light Wall Remote Control, Model No. 99120, Accessed on Oct. 27, 2016.

<http://www.fanimation.com/products/index.php/controls-remotes/wall-mount-control/tw206.html>, Item Specification for TW206 Fan and Light Wall Control, Model No. TW206, Accessed on Oct. 27, 2016.

<http://ceilingfans.emerson.com/shop/en/fan/six-speed-led-wall-control-fan-sw605>, Item Specification for Six-Speed LED Wall Control, Model No. SW605, Accessed on Oct. 27, 2016.

http://www.lowes.com/pd_607425-19478-MCRC4RW_1z0rsum_?productId=50226483&pl=1, Item Specification for Monte Carlo Fan Company Wall-Mount Ceiling Fan Remote, Model No. MCRC4RW, Accessed on Oct. 27, 2016.

* cited by examiner

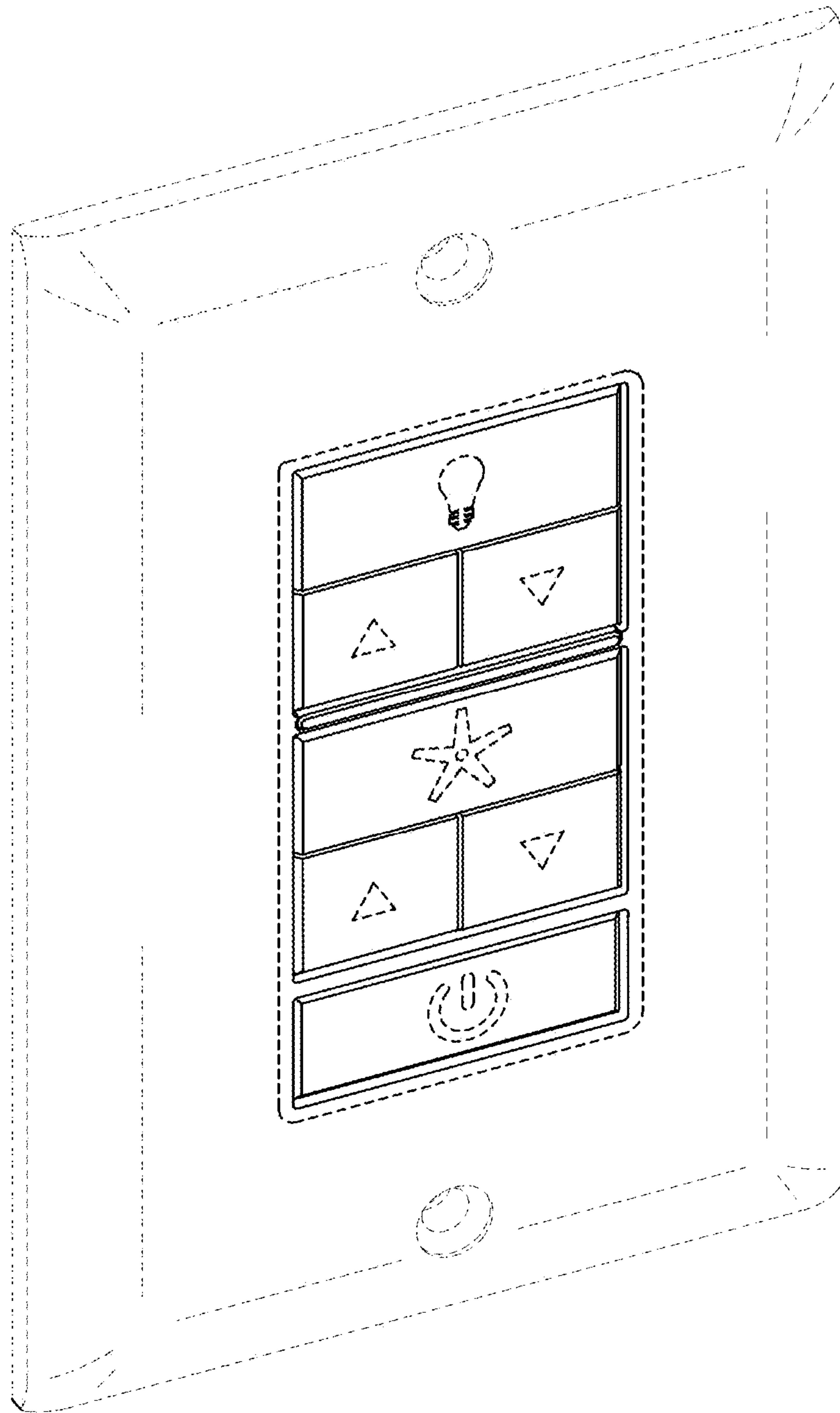


FIG. 1

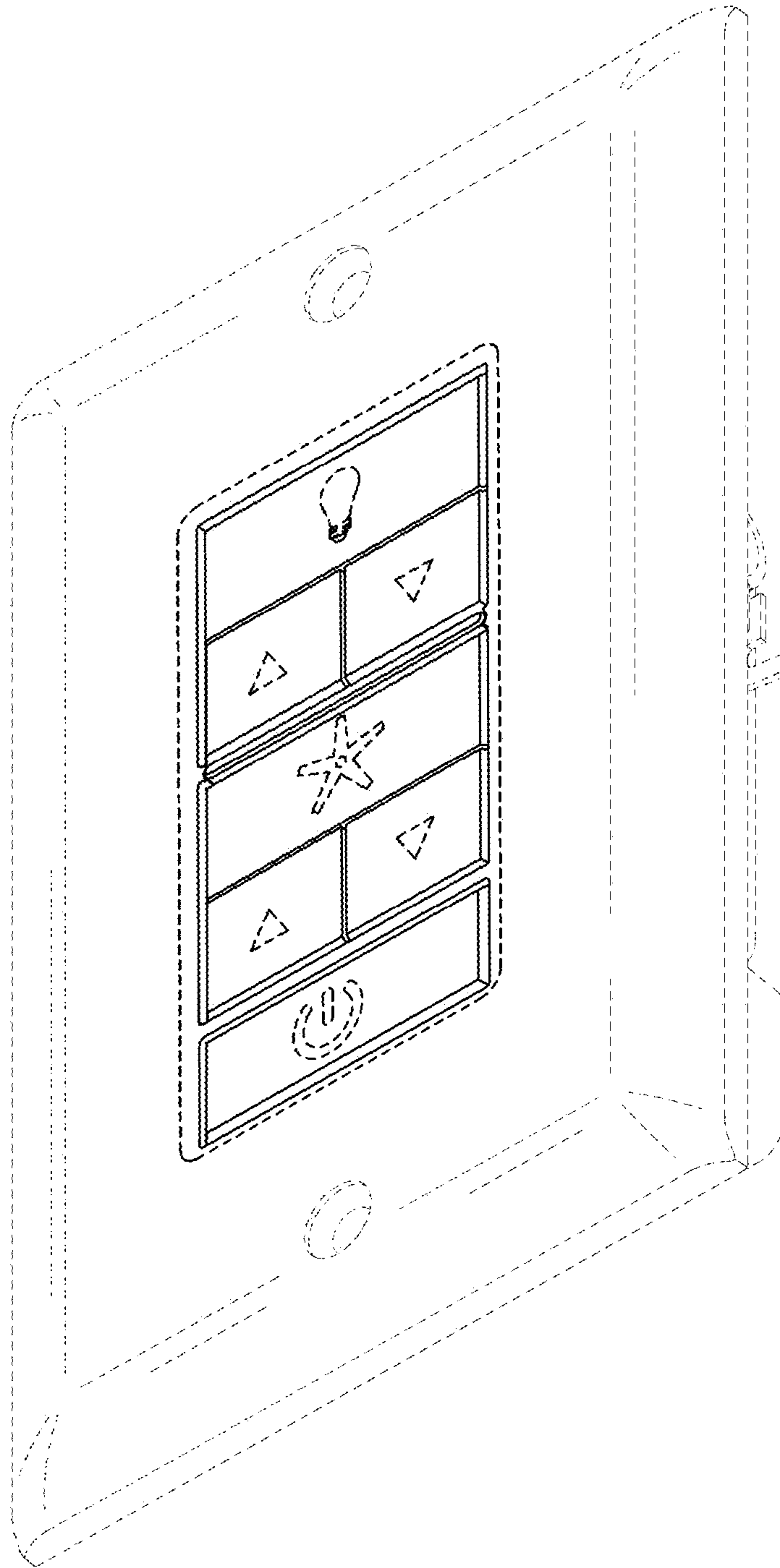


FIG.2

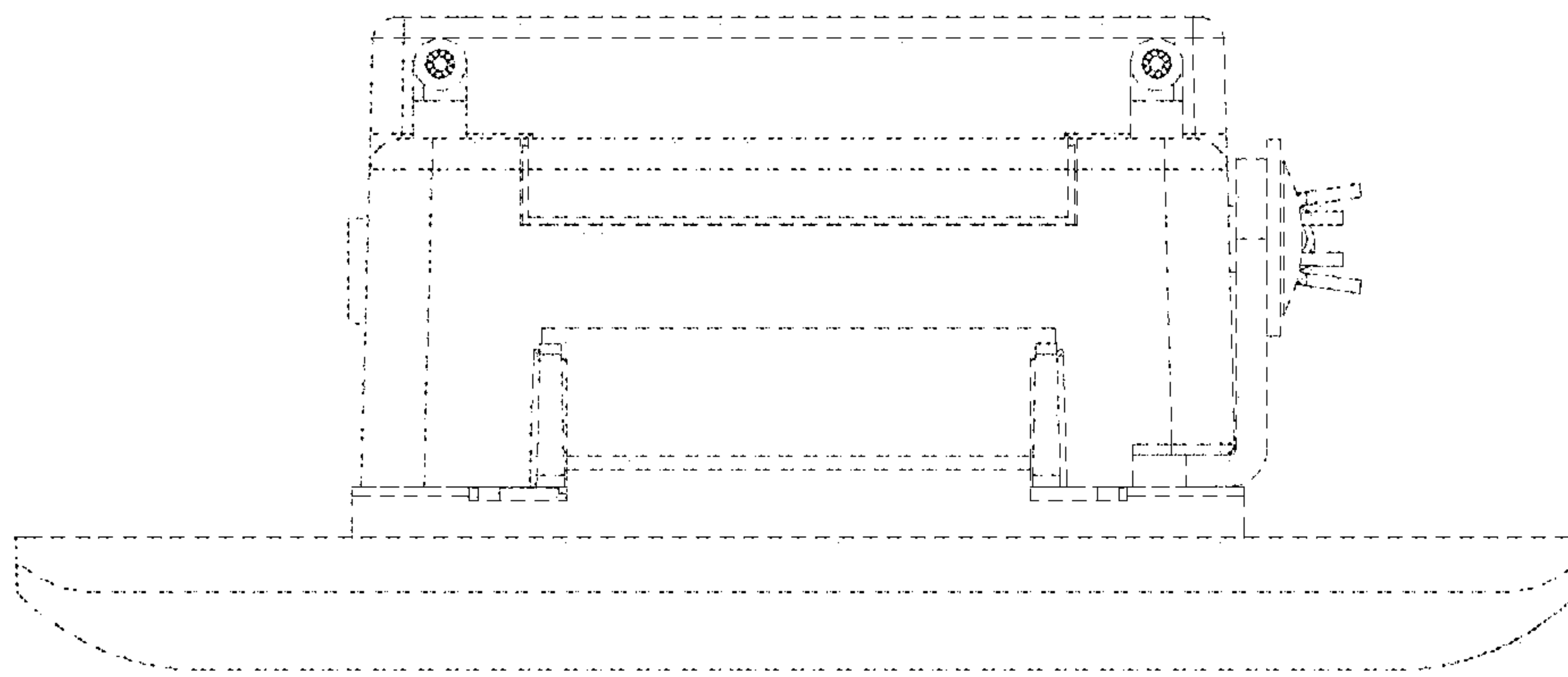


FIG. 3

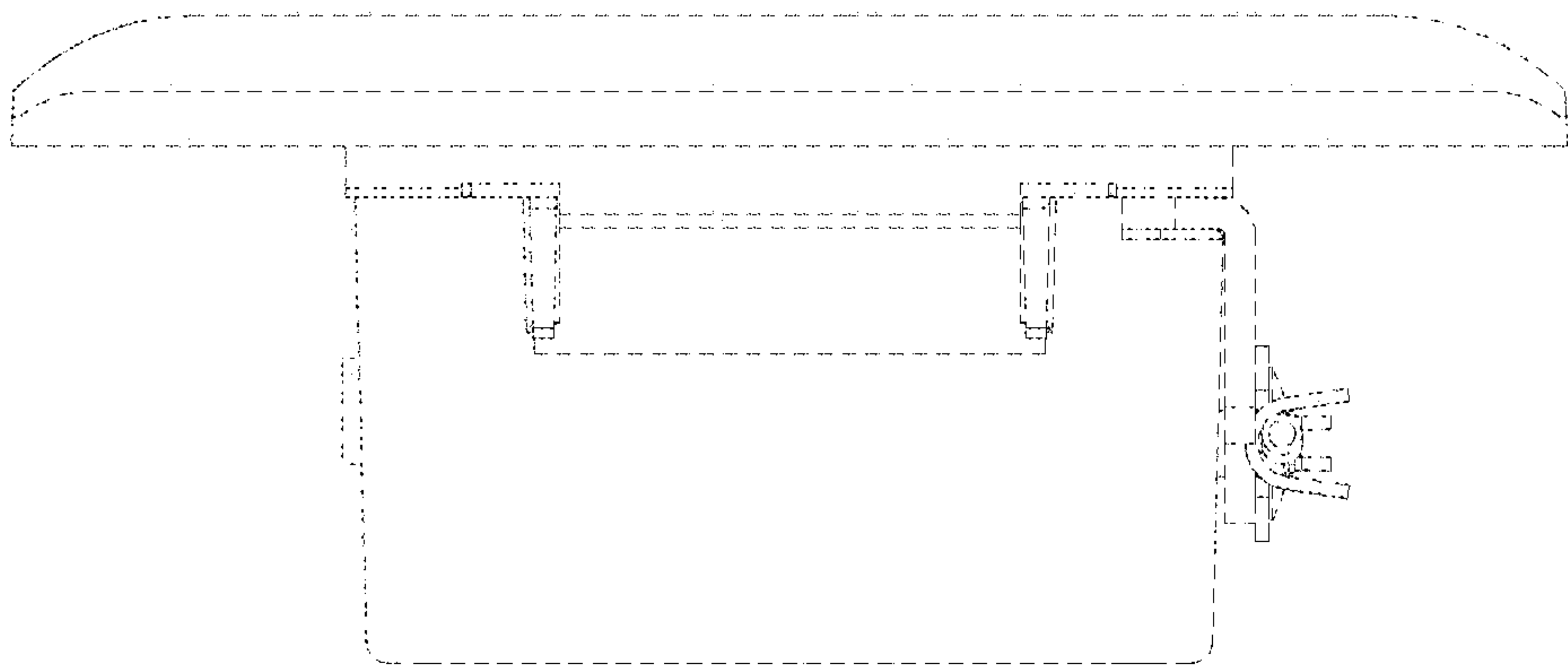


FIG. 4

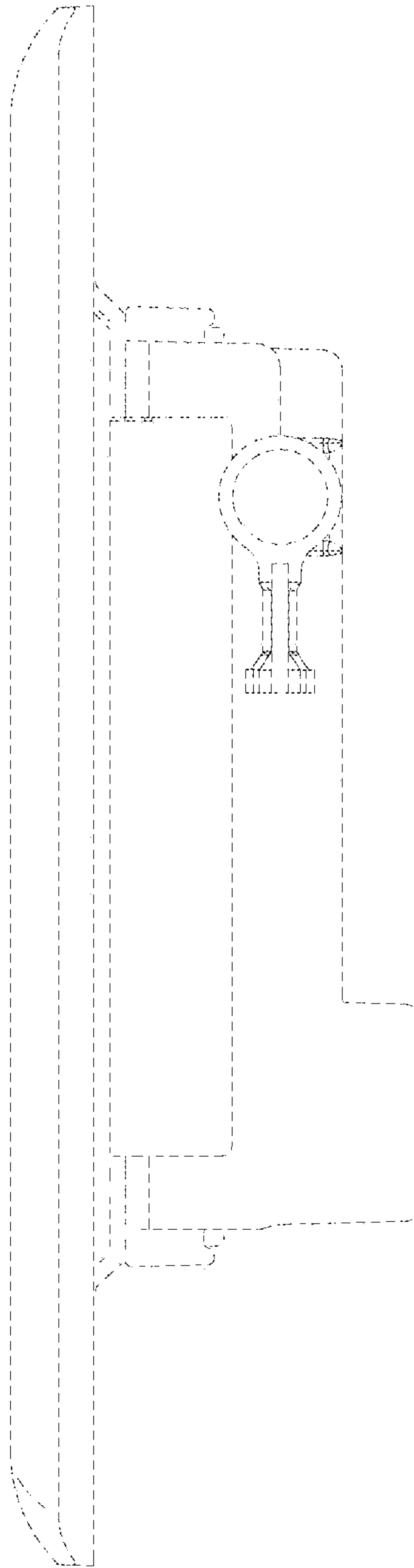


FIG. 5

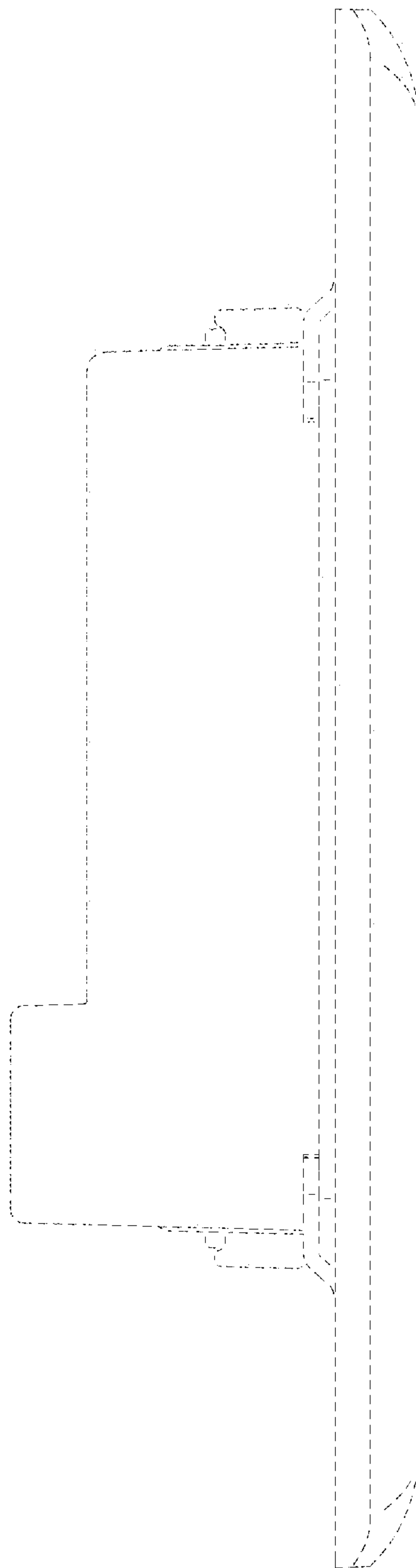


FIG. 6

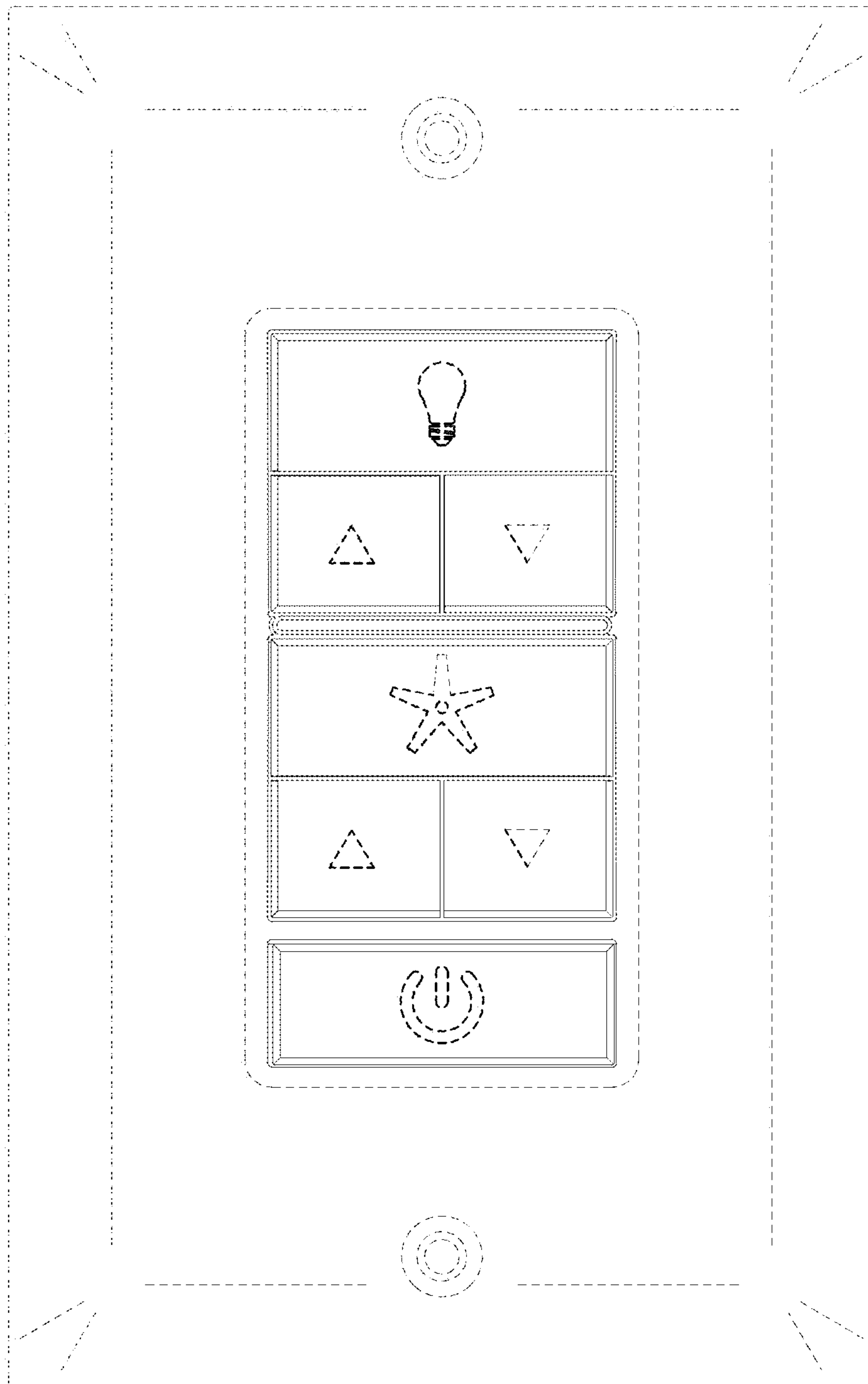


FIG. 7

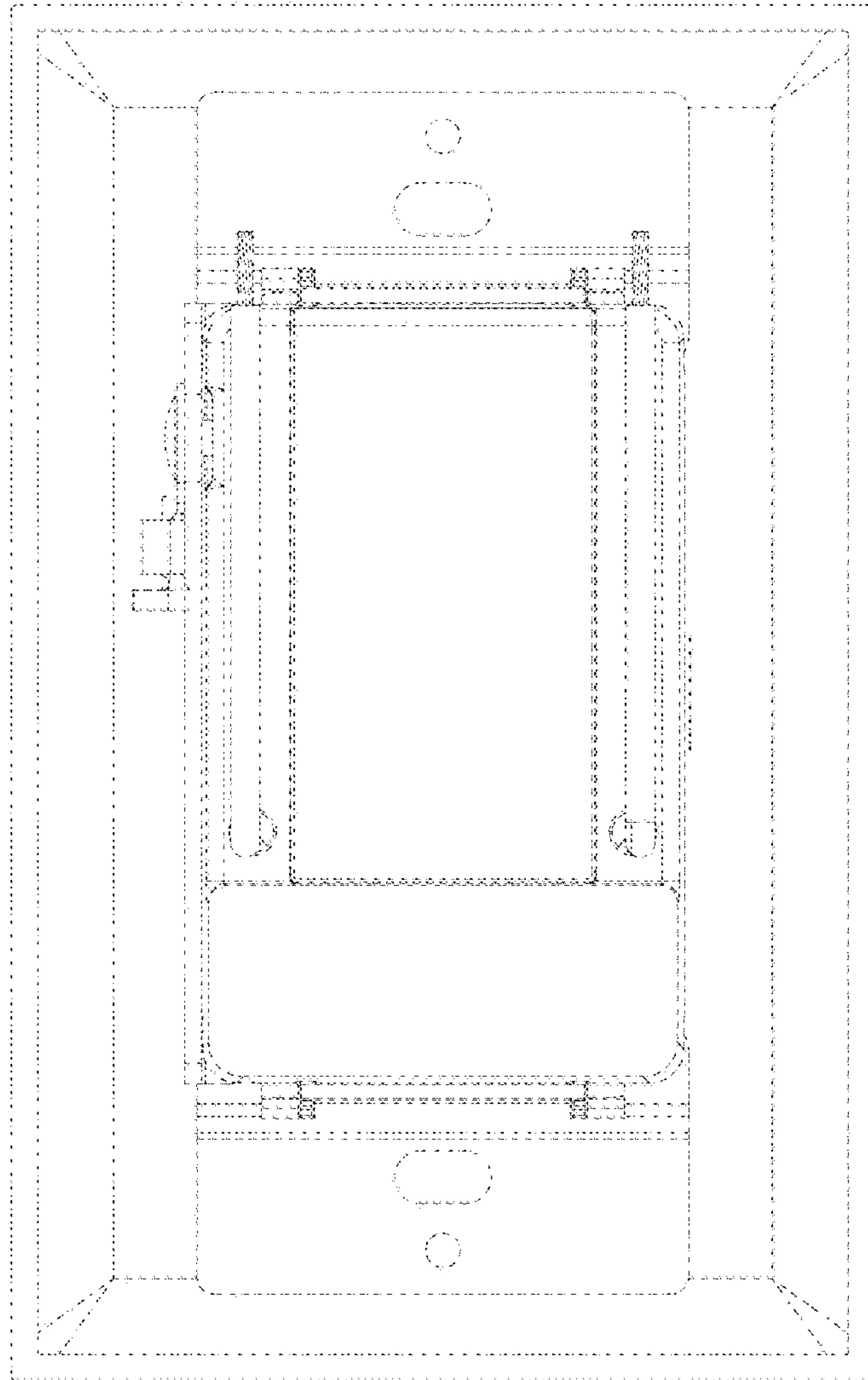


FIG. 8