



US00D799431S

(12) **United States Design Patent**  
**Joshi et al.**

(10) **Patent No.:** **US D799,431 S**

(45) **Date of Patent:** **\*\* Oct. 10, 2017**

(54) **TERMINAL BOX**

(71) Applicant: **Cummins Generator Technologies Limited**, Peterborough (GB)

(72) Inventors: **Shirish Joshi**, Pune (IN); **Umesh Dagwale**, Pune (IN)

(73) Assignee: **Cummins Generator Technologies Limited**, Peterborough (GB)

(\*\*) Term: **15 Years**

(21) Appl. No.: **29/562,281**

(22) Filed: **Apr. 25, 2016**

(30) **Foreign Application Priority Data**

Nov. 10, 2015 (EM) ..... 002853986-0001

(51) **LOC (10) Cl.** ..... **13-03**

(52) **U.S. Cl.**  
USPC ..... **D13/152**

(58) **Field of Classification Search**  
USPC ..... D13/152–156, 139.1–139.3, 133, 184,  
D13/199; D8/349, 353; D14/496  
CPC .. H01H 2085/2075; H02G 3/08; H02G 3/123;  
H02G 3/081; H02G 3/14; H02G 3/16;  
H05K 5/00; H05K 5/008; H05K 5/0086;  
H05K 5/04; G06F 1/181; B65D 43/00  
See application file for complete search history.

(56) **References Cited**

**U.S. PATENT DOCUMENTS**

D260,878 S \* 9/1981 Dolinar ..... D13/152  
5,359,152 A \* 10/1994 Hone-Lin ..... H02G 3/121  
174/53  
D525,946 S \* 8/2006 Chung ..... D13/152  
D531,961 S \* 11/2006 Greenfield ..... H02G 3/14  
D13/156

D545,273 S \* 6/2007 Lee ..... D13/139.3  
D564,450 S \* 3/2008 Gravlin ..... D13/122  
D618,615 S \* 6/2010 Basic ..... D13/114  
D640,982 S \* 7/2011 Dixon ..... D13/152  
D678,212 S \* 3/2013 Peckham ..... D13/156  
D680,493 S \* 4/2013 Basic ..... D13/114  
D696,196 S \* 12/2013 Plato ..... D13/112  
D696,628 S \* 12/2013 Hutchinson ..... D13/114  
D706,711 S \* 6/2014 Robinson ..... D13/110  
D713,339 S \* 9/2014 Hutchinson ..... D13/114  
D724,030 S \* 3/2015 Faul ..... D13/139.1  
D730,305 S \* 5/2015 Brunn ..... D13/184  
D743,358 S \* 11/2015 Cagliani ..... D13/184  
D744,431 S \* 12/2015 Hagarty ..... D13/152  
D745,850 S \* 12/2015 Gretz ..... D13/152  
9,419,421 B1 \* 8/2016 Valentine ..... H02G 3/14  
D766,185 S \* 9/2016 Hagarty ..... D13/152  
D768,079 S \* 10/2016 Yamada ..... D13/112  
D776,060 S \* 1/2017 Haberkorn ..... D13/152

(Continued)

*Primary Examiner* — Rosemary K Tarcza

*Assistant Examiner* — Christy Nemeth

(74) *Attorney, Agent, or Firm* — Foley & Lardner LLP

(57) **CLAIM**

We claim the ornamental design for a terminal box, as shown and described.

**DESCRIPTION**

FIG. 1 is a front perspective view of a terminal box showing our new design;

FIG. 2 is a rear perspective view thereof;

FIG. 3 is a left side elevational view thereof;

FIG. 4 is a right side elevational view thereof;

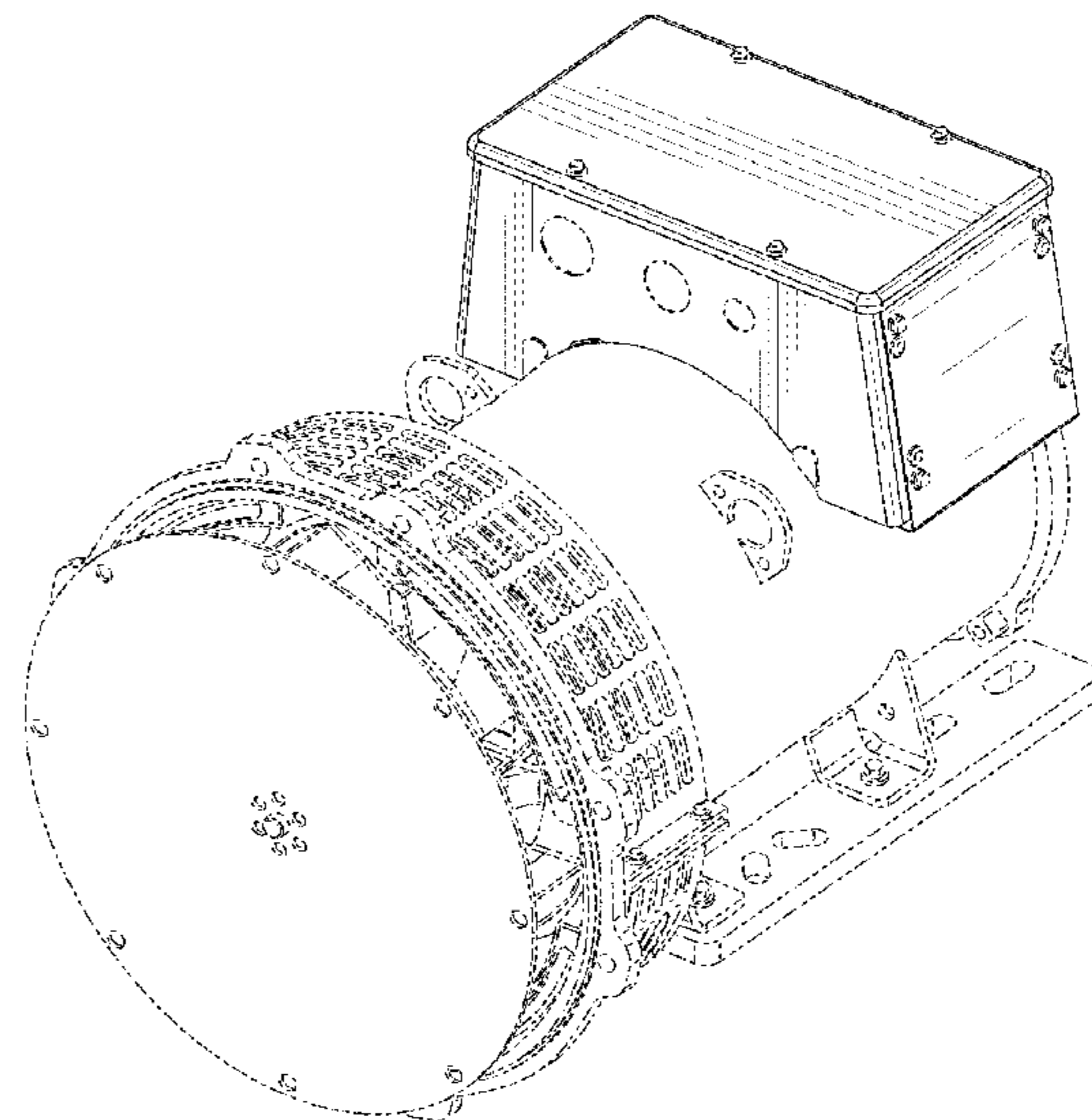
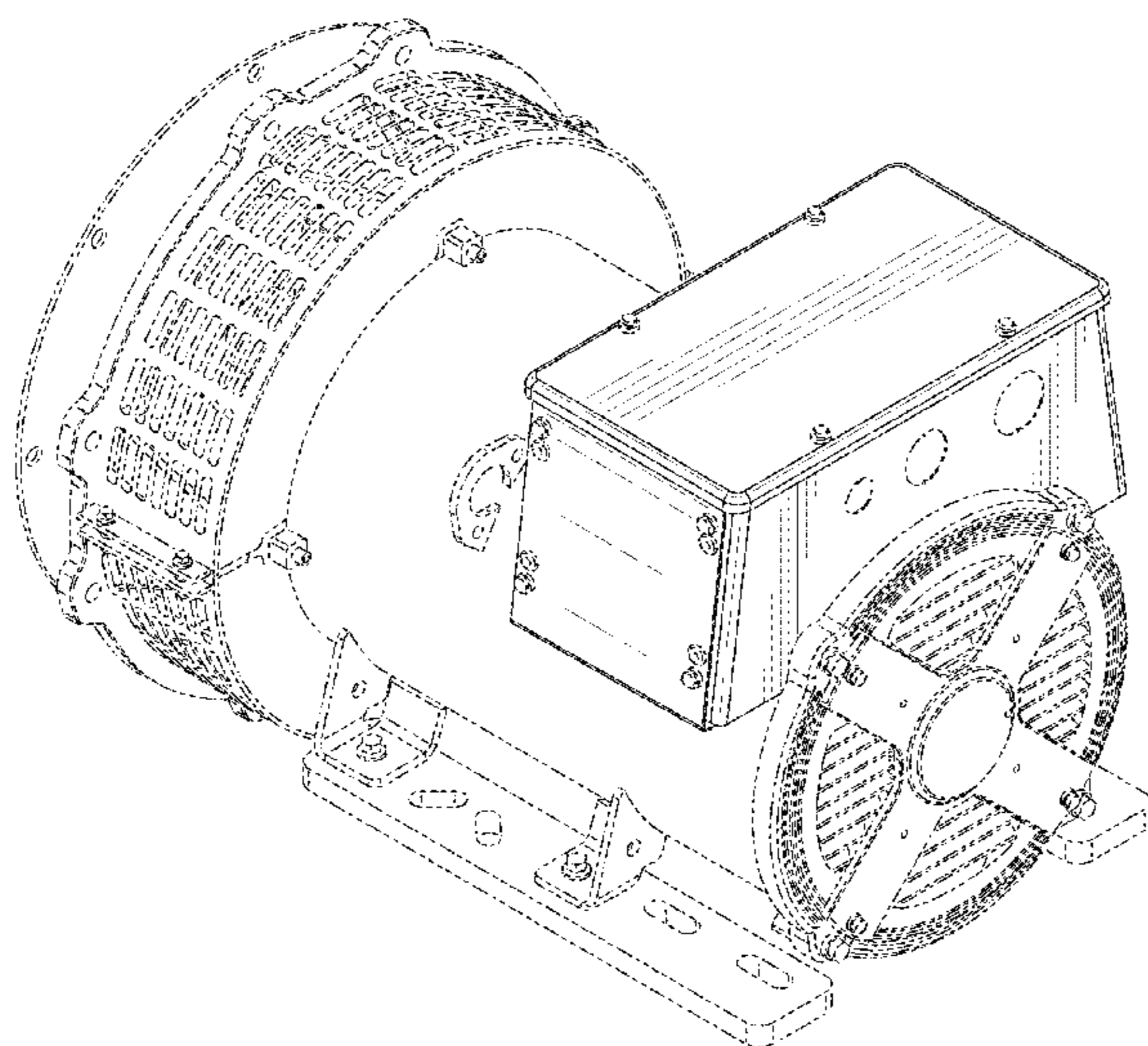
FIG. 5 is a top plan view thereof;

FIG. 6 is a front elevational view thereof; and,

FIG. 7 is a rear elevational view thereof.

The broken lines formed by dashes show unclaimed subject matter and form no part of the claimed design. The bottom of the terminal box is unornamented.

**1 Claim, 7 Drawing Sheets**



(56)

**References Cited**

U.S. PATENT DOCUMENTS

2015/0171607 A1\* 6/2015 Miller ..... H02G 3/086  
29/525.01  
2016/0285339 A1\* 9/2016 Smith ..... H02K 5/20

\* cited by examiner

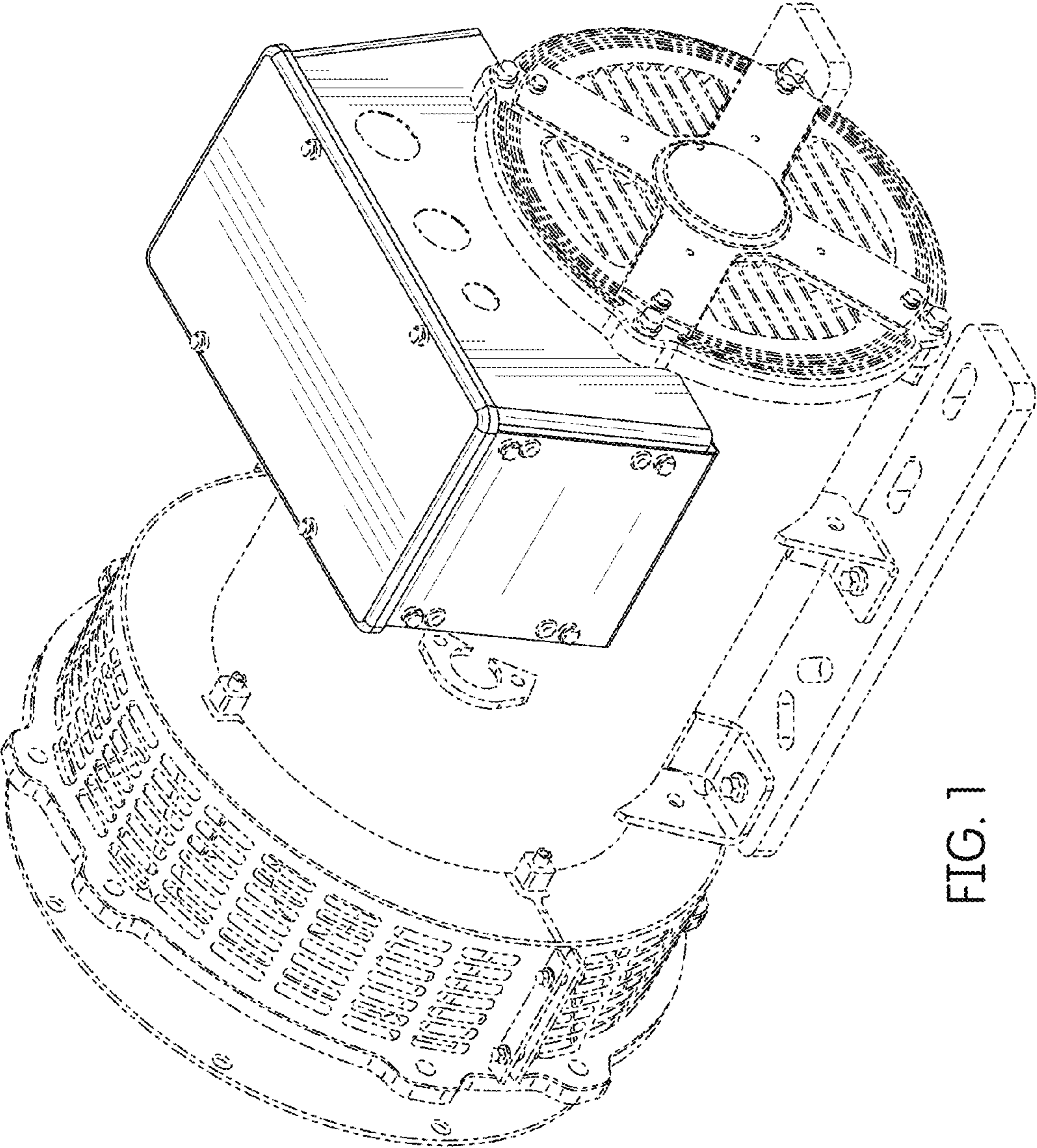


FIG. 1

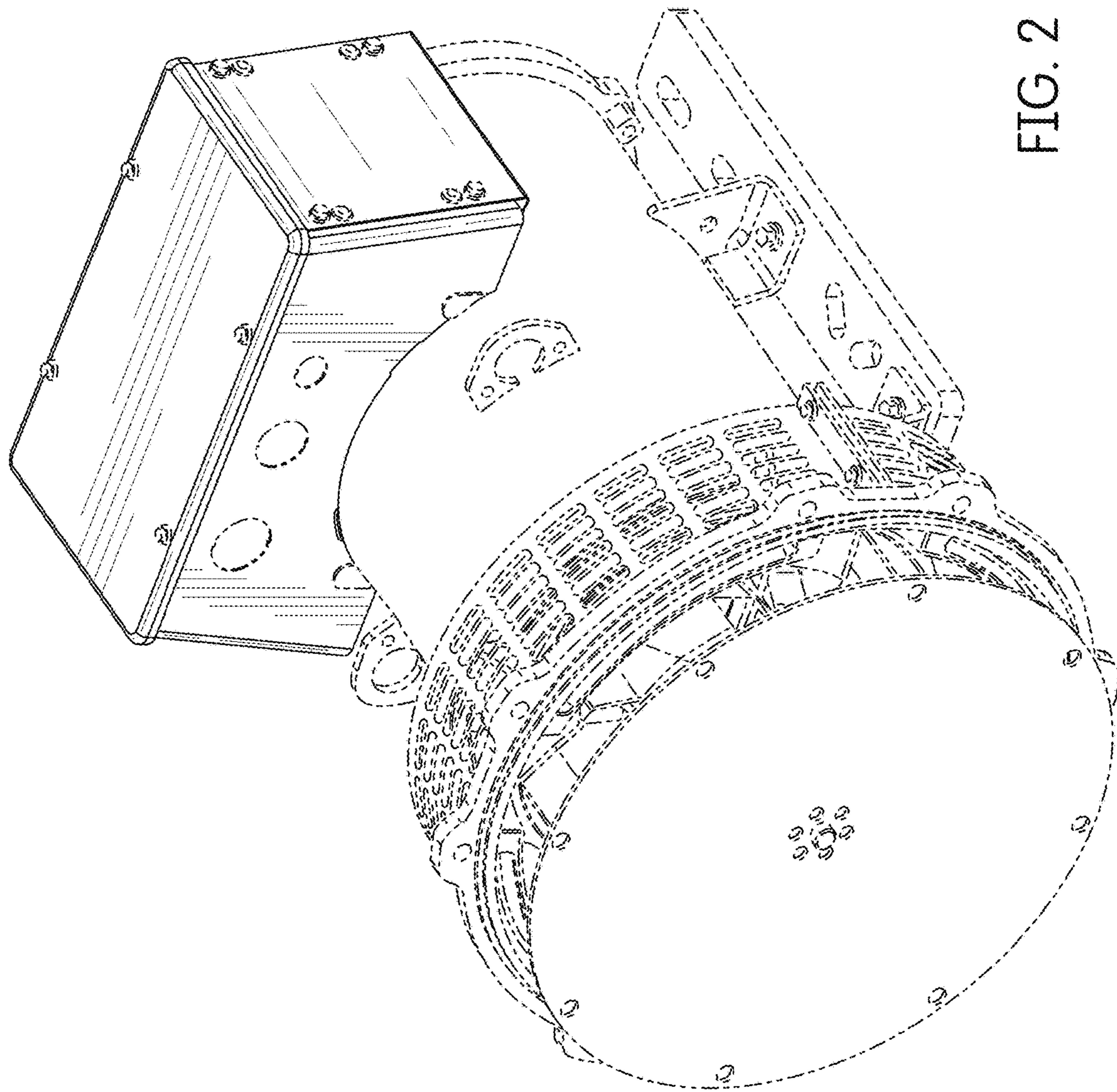


FIG. 2

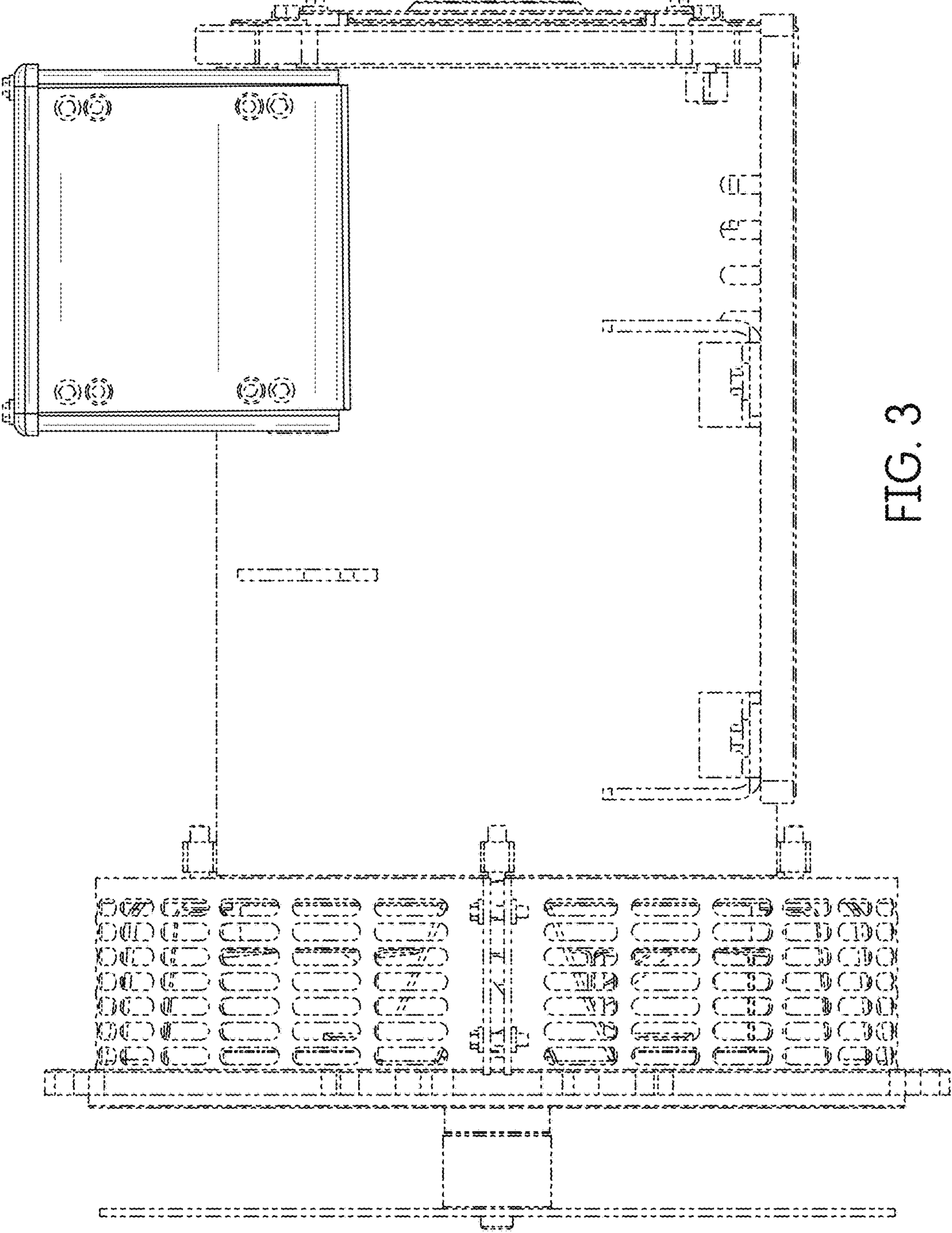


FIG. 3

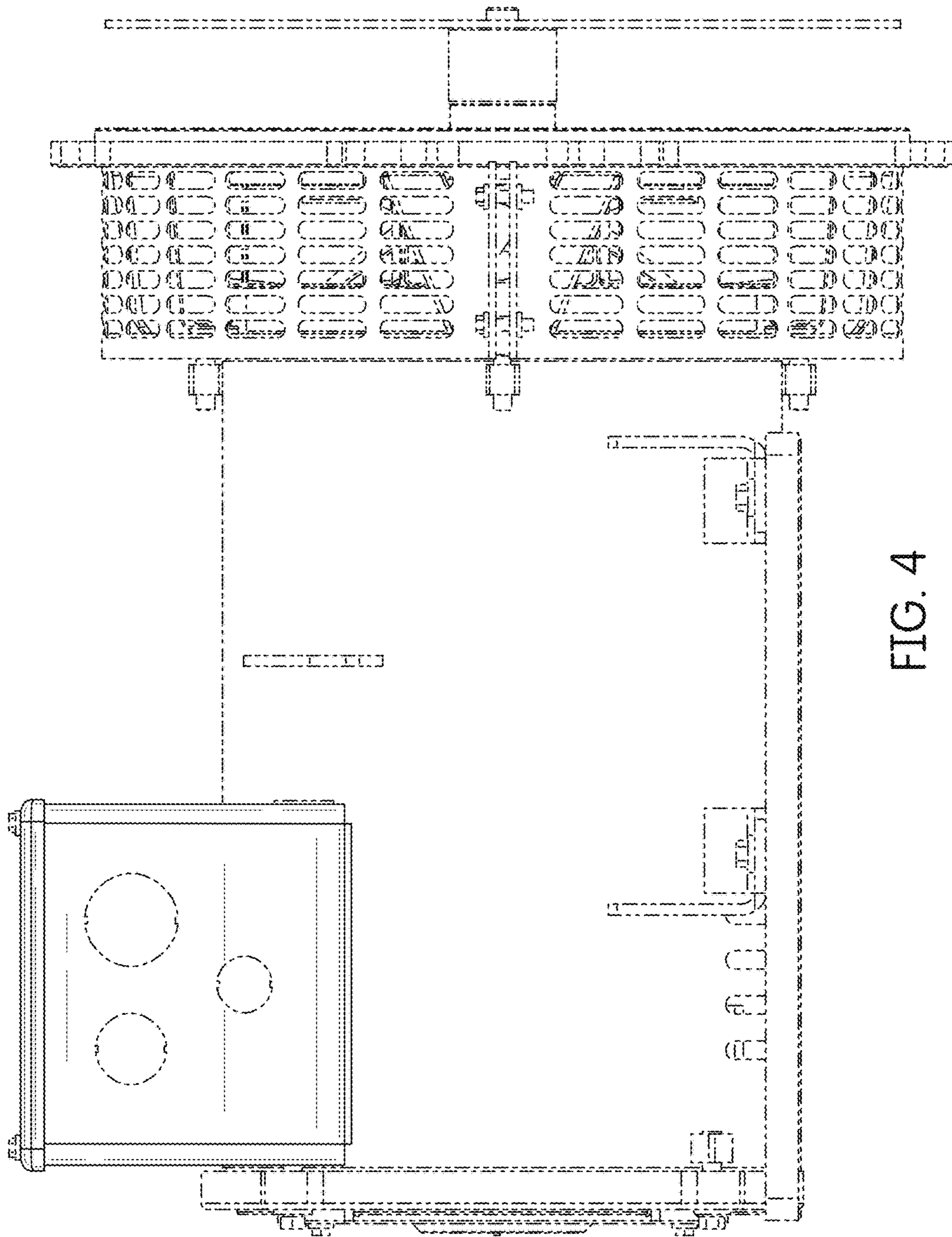


FIG. 4

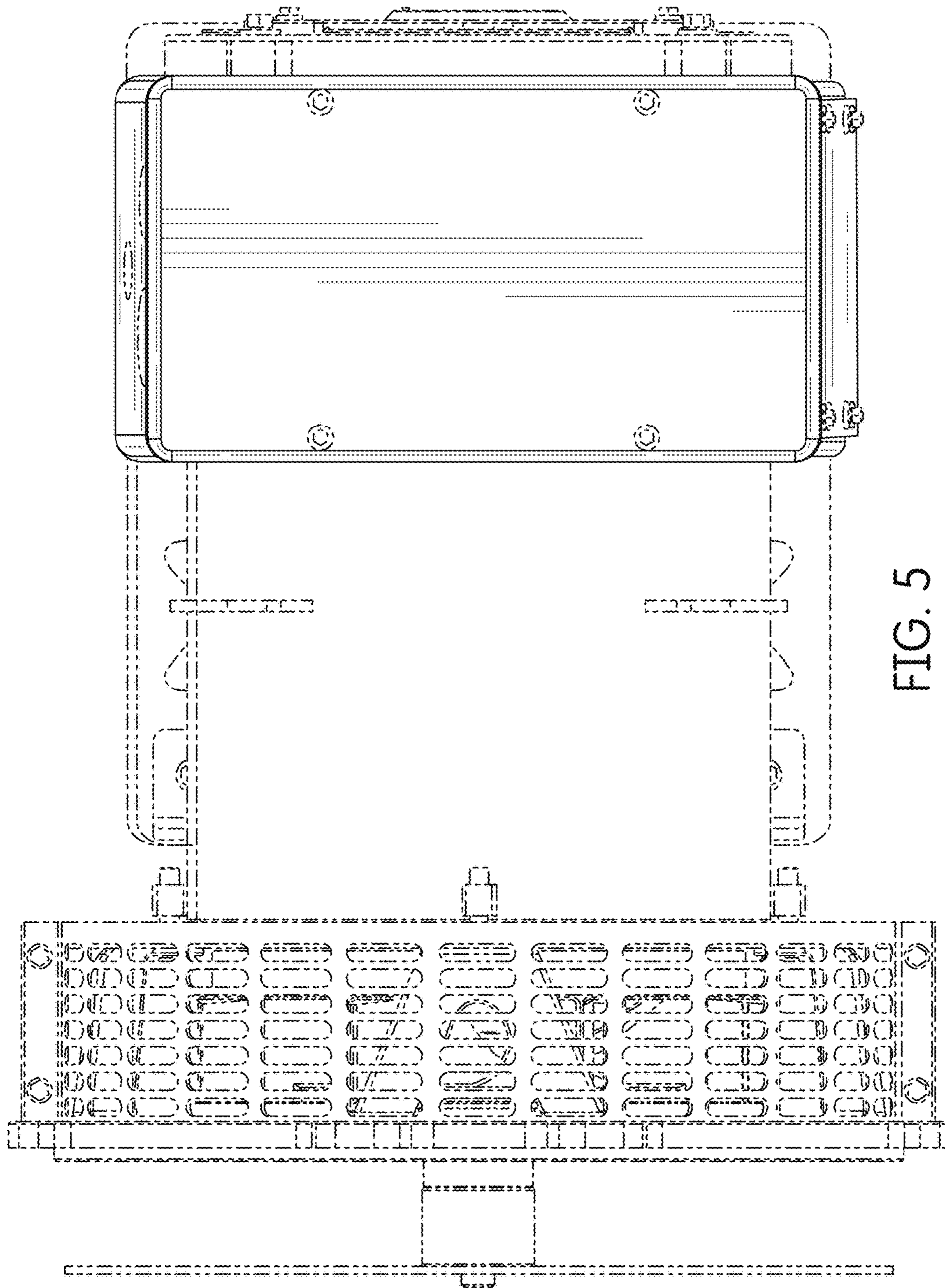


FIG. 5

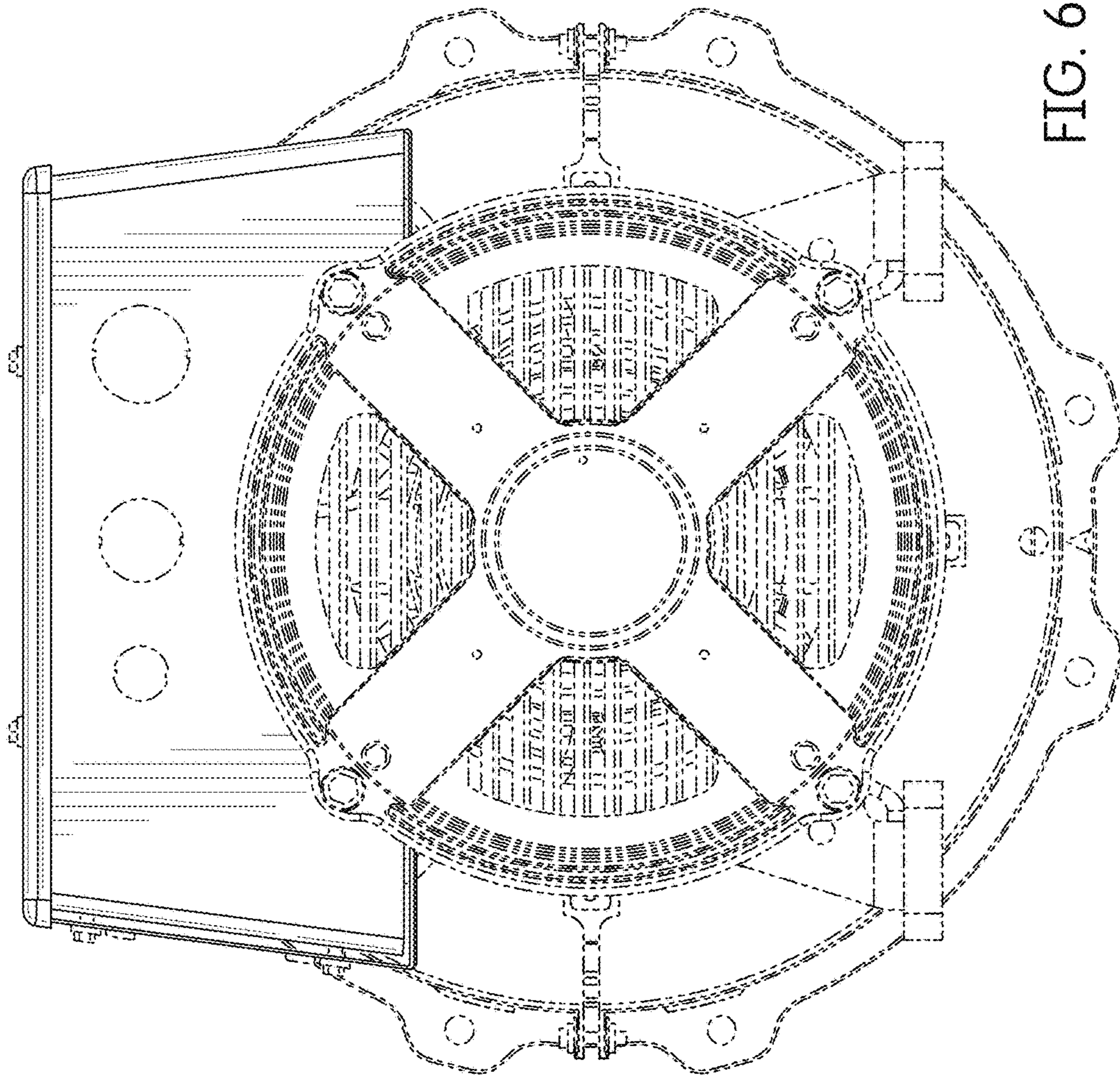


FIG. 6



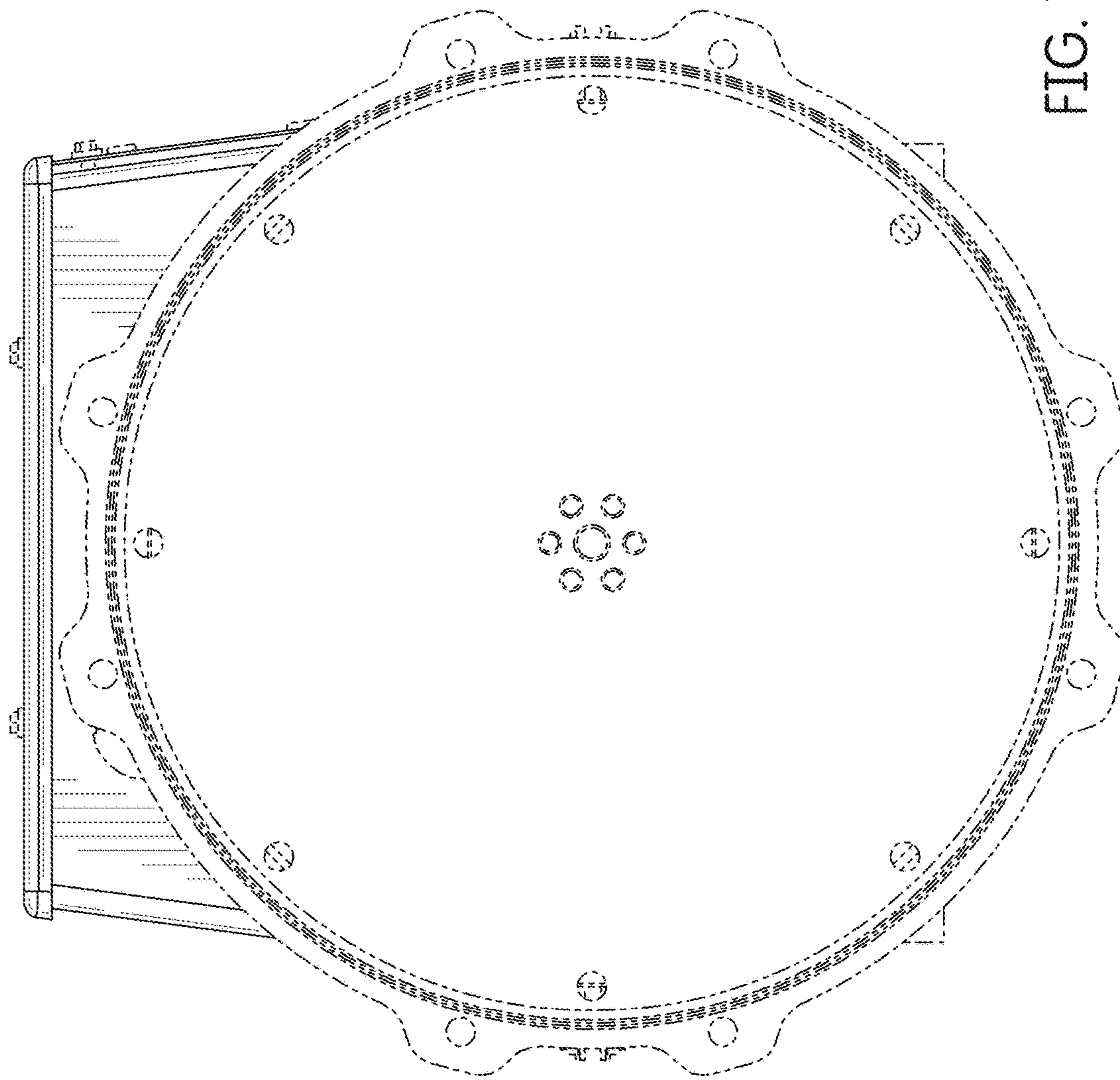


FIG. 7