



US00D799429S

(12) **United States Design Patent**  
**Nakanishi et al.**

(10) **Patent No.:** **US D799,429 S**  
(45) **Date of Patent:** **\*\* Oct. 10, 2017**

(54) **OPTICAL FIBER ARRAY**

(71) Applicant: **Sumitomo Electric Industries, Ltd.**,  
Osaka (JP)

(72) Inventors: **Tetsuya Nakanishi**, Yokohama (JP);  
**Yuuichi Mitose**, Yokohama (JP);  
**Hiroshi Kohda**, Yokohama (JP); **Jun Ito**,  
Yokohama (JP); **Takeyuki Ishii**,  
Yokohama (JP); **Takashi Sasaki**,  
Yokohama (JP)

(73) Assignee: **Sumitomo Electric Industries, Ltd.**,  
Osaka-shi (JP)

(\*\*) Term: **15 Years**

(21) Appl. No.: **29/540,563**

(22) Filed: **Sep. 25, 2015**

(30) **Foreign Application Priority Data**

Mar. 25, 2015 (JP) ..... 2015-006454

(51) **LOC (10) Cl.** ..... **13-03**

(52) **U.S. Cl.**  
USPC ..... **D13/147**

(58) **Field of Classification Search**  
USPC ..... D13/133, 146, 147, 154, 184, 199  
(Continued)

(56) **References Cited**

**U.S. PATENT DOCUMENTS**

D777,681 S \* 1/2017 Okamoto ..... D13/154  
D778,840 S \* 2/2017 Okamoto ..... D13/154  
(Continued)

**FOREIGN PATENT DOCUMENTS**

JP D1130291 S 12/2001  
JP D1512456 S 11/2014

**OTHER PUBLICATIONS**

Office Action in counterpart Vietnamese Design Patent Application  
No. 3- 2015-01638 dated Feb. 14, 2017.

*Primary Examiner* — Daniel Bui  
(74) *Attorney, Agent, or Firm* — Venable LLP; Michael  
A. Sartori; Miguel A. Lopez

(57) **CLAIM**

The ornamental design for an optical fiber array, as shown  
and described.

**DESCRIPTION**

FIG. 1 is a front elevation view of an optical fiber array  
showing our new design.

FIG. 2 is a rear elevation view thereof.

FIG. 3 is a top plan view thereof.

FIG. 4 is a bottom plan view thereof.

FIG. 5 is a right side view thereof.

FIG. 6 is a left side view thereof.

FIG. 7 is a perspective view thereof.

FIG. 8 is an enlarged view showing a portion of FIG. 1  
defined by line 8-8.

FIG. 9 is an enlarged view showing a portion of FIG. 3  
defined by line 9-9.

FIG. 10 is an enlarged view showing a portion of FIG. 4  
defined by line 10-10.

FIG. 11 is an enlarged view showing a portion of FIG. 7  
defined by lines 11-11.

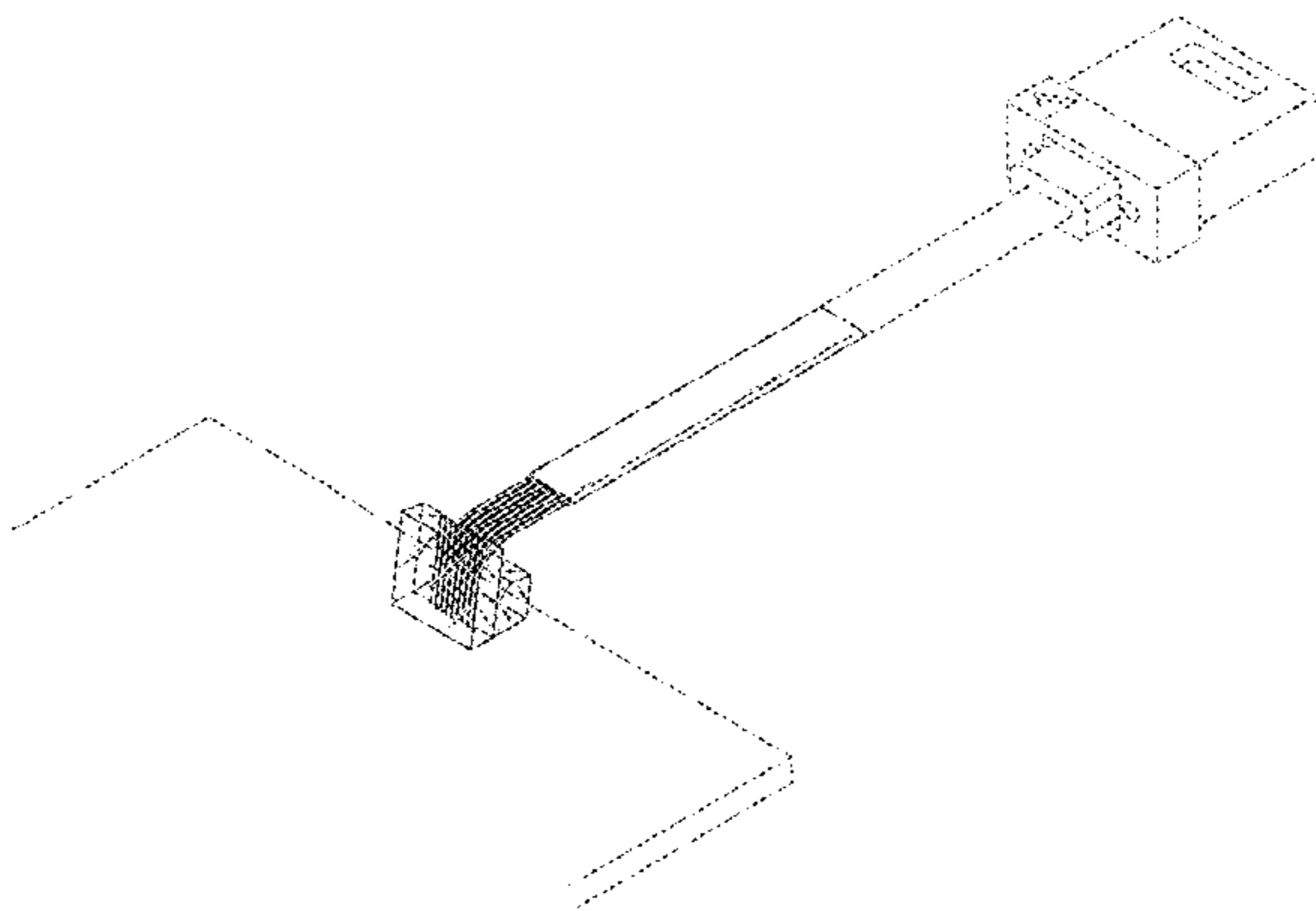
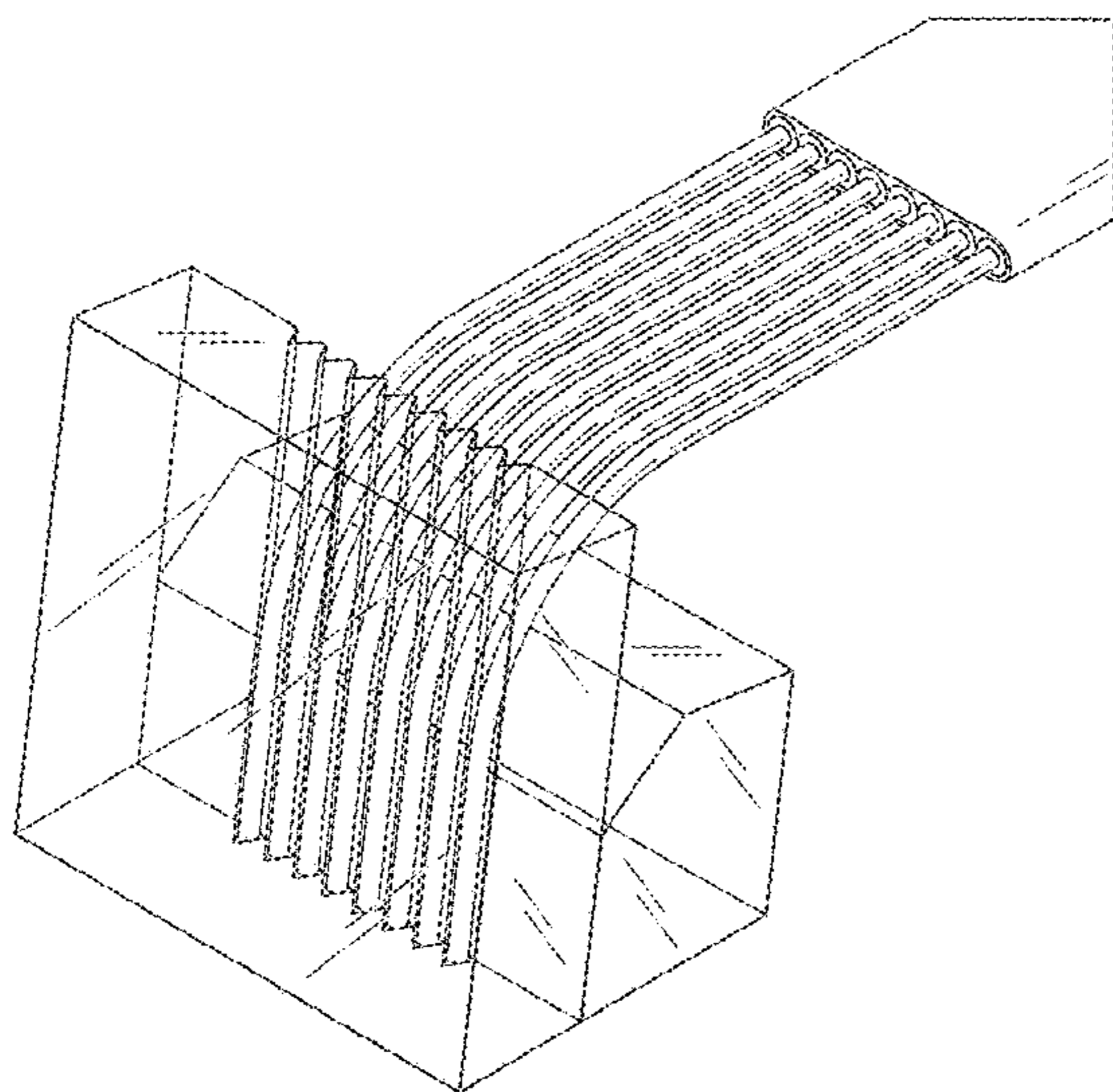
FIG. 12 is an enlarged right side view of the optical fiber  
array of FIG. 1.

FIG. 13 is an enlarged left side view of the optical fiber array  
of FIG. 1; and,

FIG. 14 is a perspective view thereof, in use condition.

The features shown in broken lines depict environmental  
subject matter only and form no part of the claimed design.  
The broken lines having alternating long and short segments  
define bounds of the claimed design and form no part hereof.

**1 Claim, 14 Drawing Sheets**



(58) **Field of Classification Search**

CPC ... G02B 6/24; G02B 6/32; G02B 6/36; G02B  
6/38; G02B 6/42; G02B 6/44; G02B 6/46  
See application file for complete search history.

(56) **References Cited**

U.S. PATENT DOCUMENTS

D788,042 S *	5/2017	Okamoto .....	D13/147
2015/0226924 A1 *	8/2015	McColloch .....	G02B 6/3885
			385/59
2015/0234126 A1 *	8/2015	Haase .....	G02B 6/389
			385/59
2015/0293317 A1 *	10/2015	Kim .....	G02B 6/423
			385/89
2015/0331201 A1 *	11/2015	Takano .....	G02B 6/3871
			385/71
2016/0161686 A1 *	6/2016	Li .....	G02B 6/4214
			385/92
2016/0291261 A1 *	10/2016	Izumi .....	G02B 6/4243

\* cited by examiner

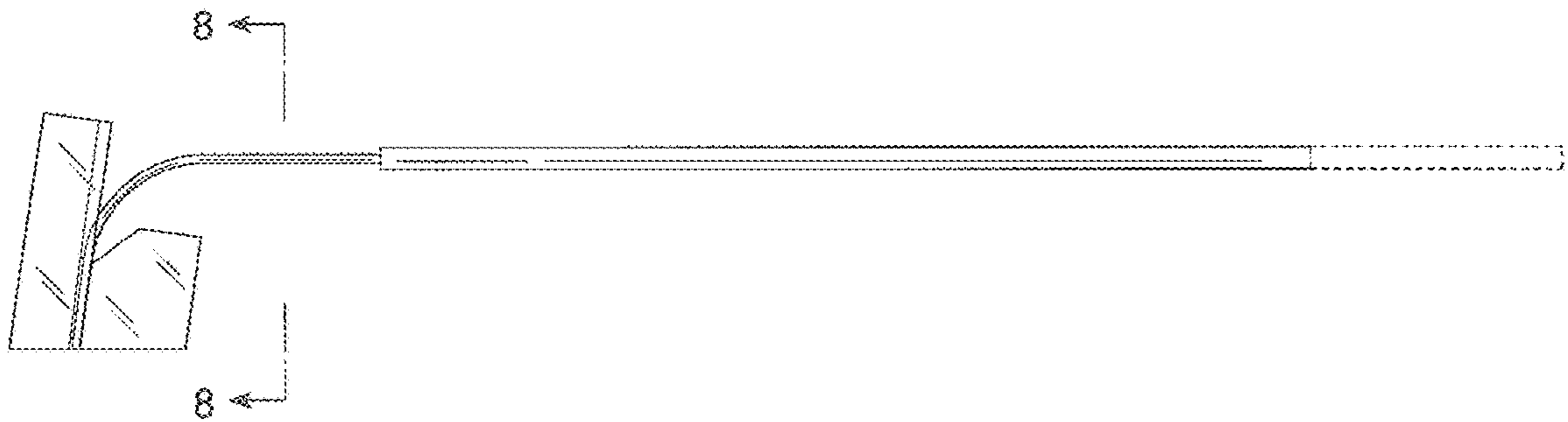


FIG. 1

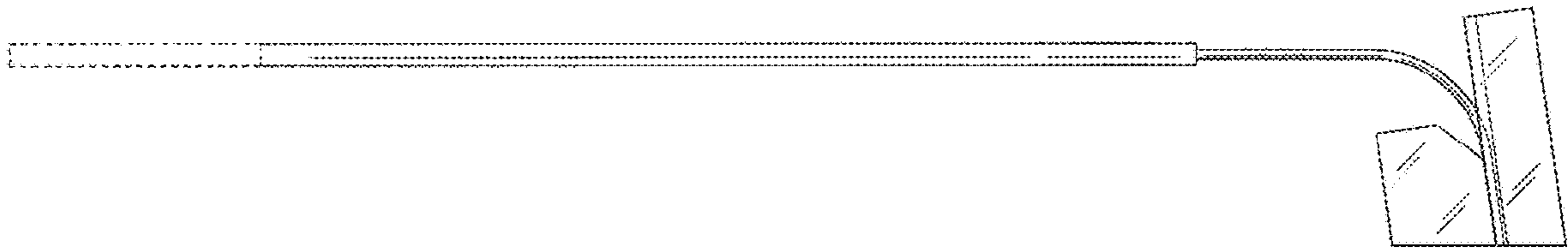


FIG. 2

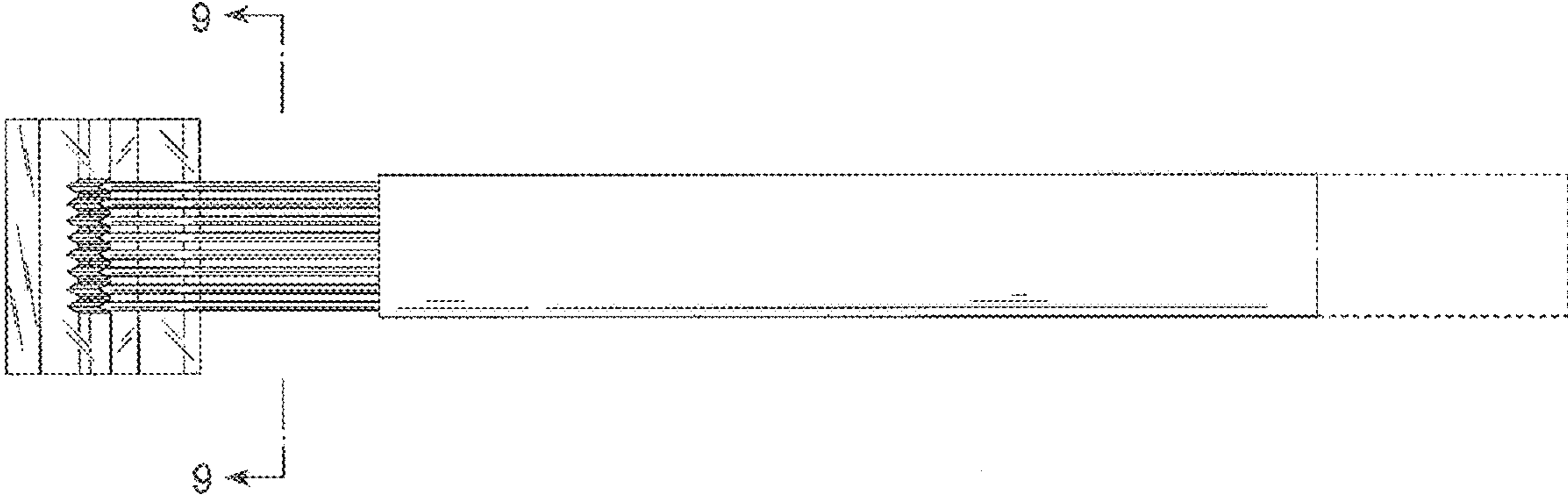


FIG. 3

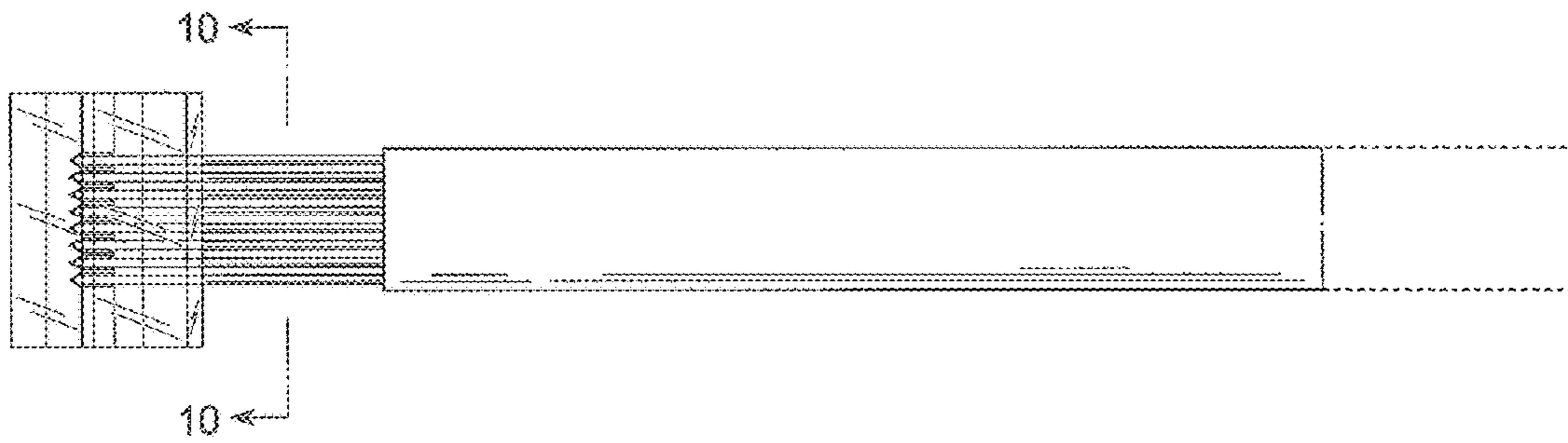


FIG. 4

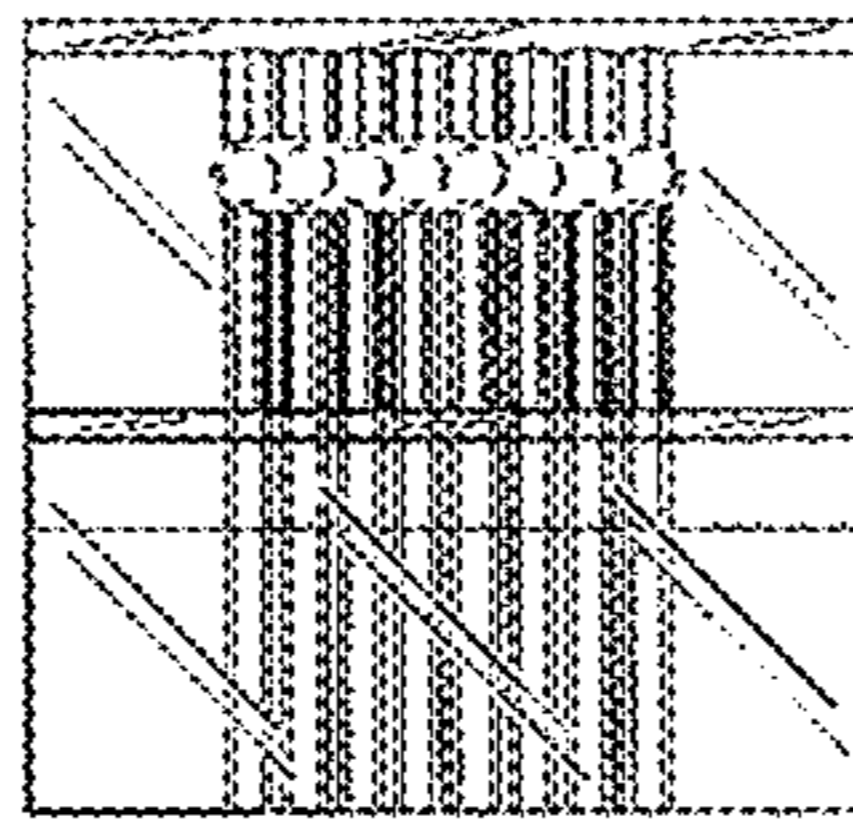


FIG. 5

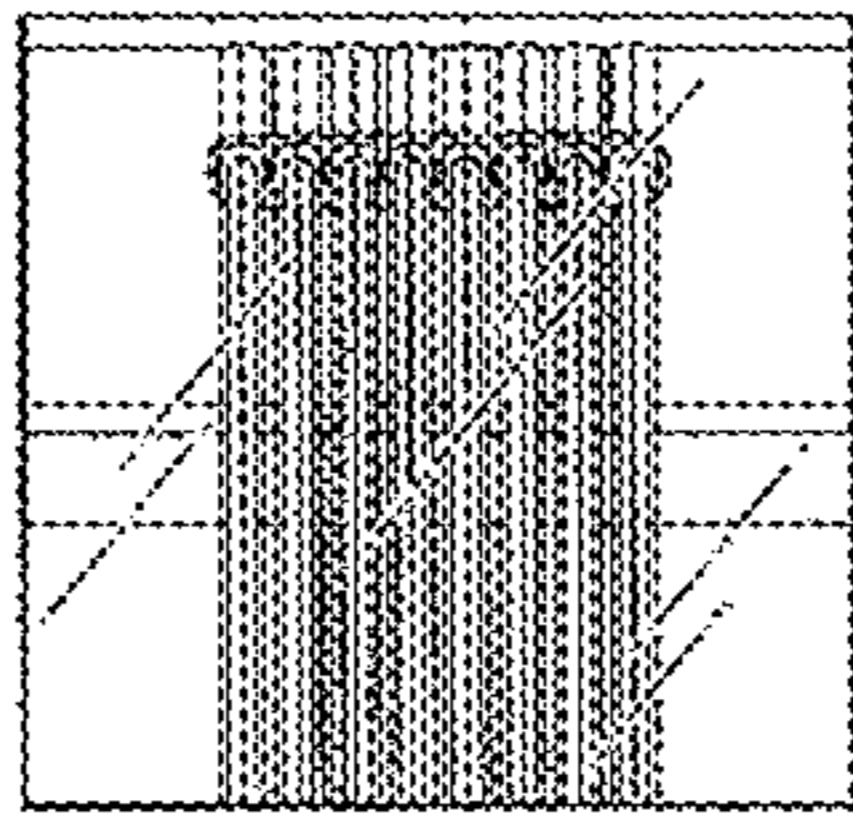


FIG. 6



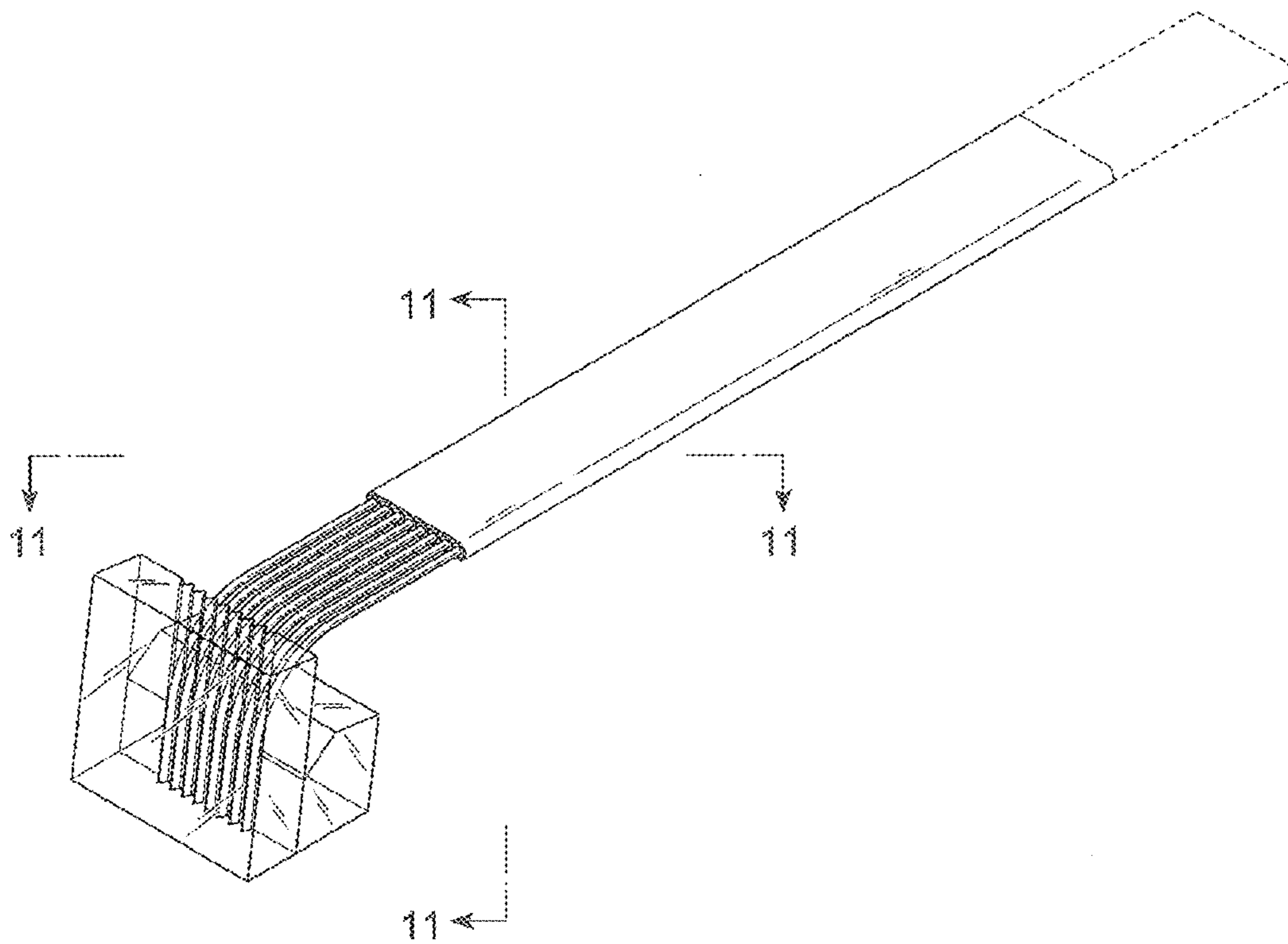


FIG. 7

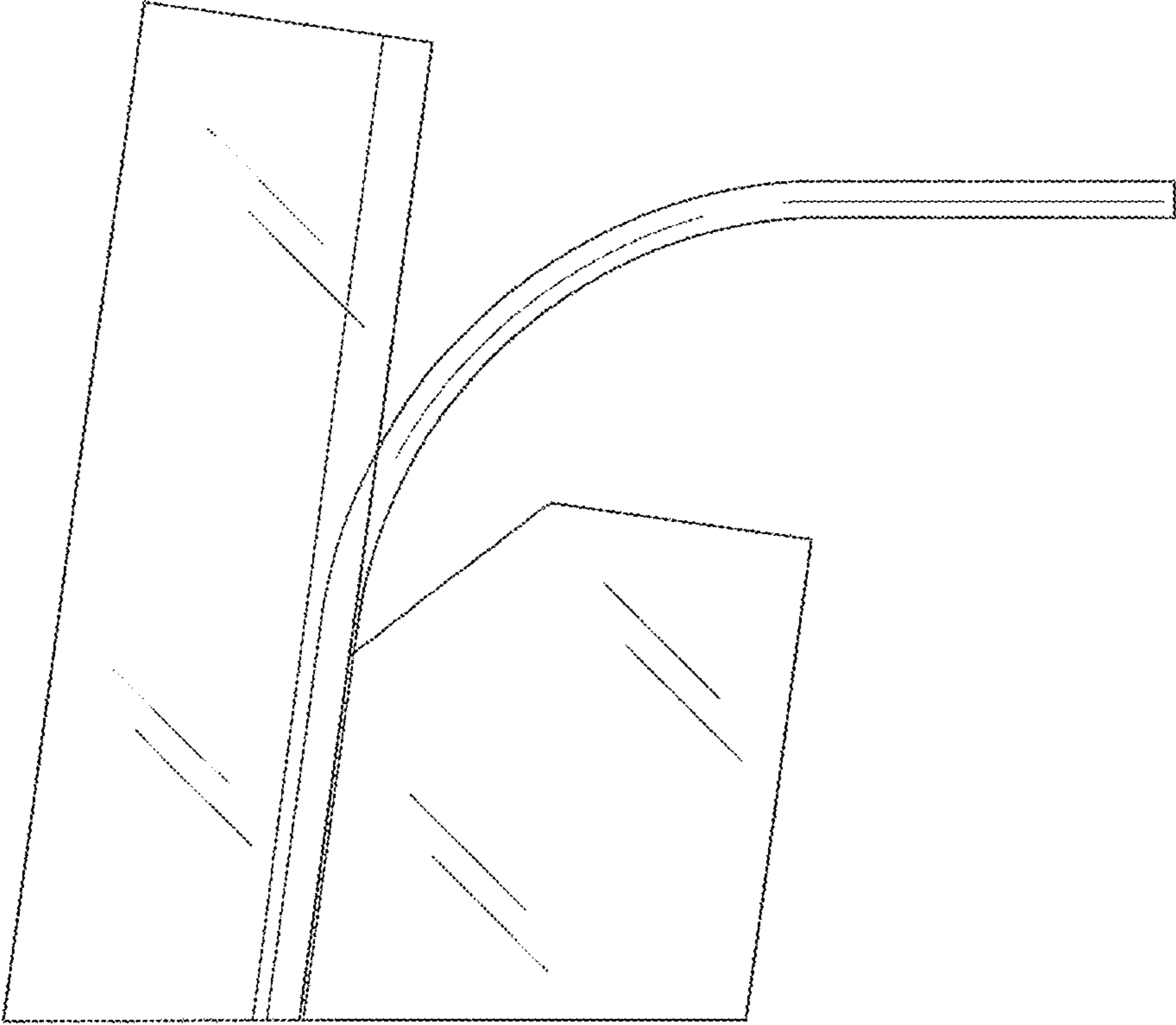


FIG. 8

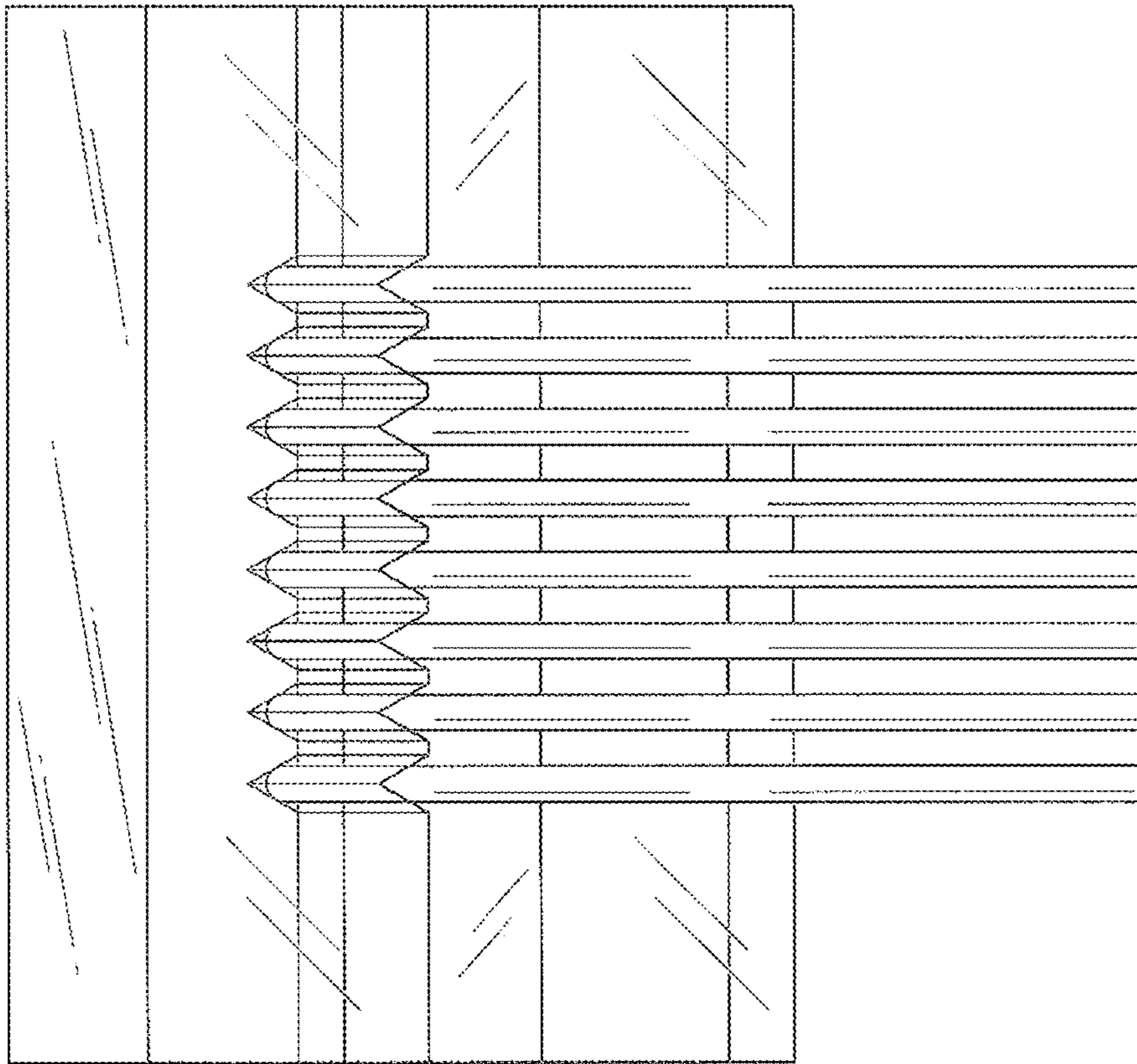


FIG. 9

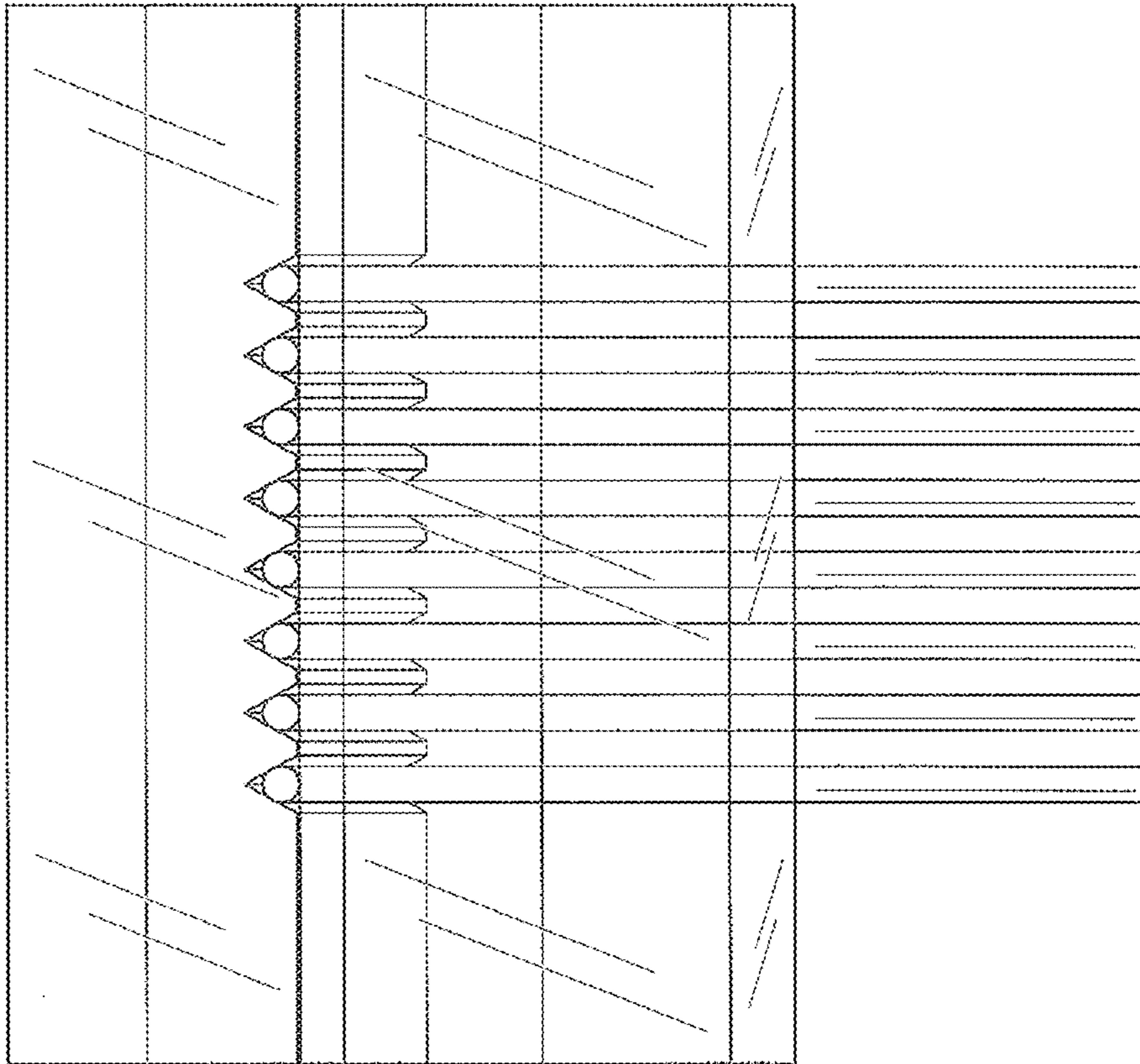


FIG. 10

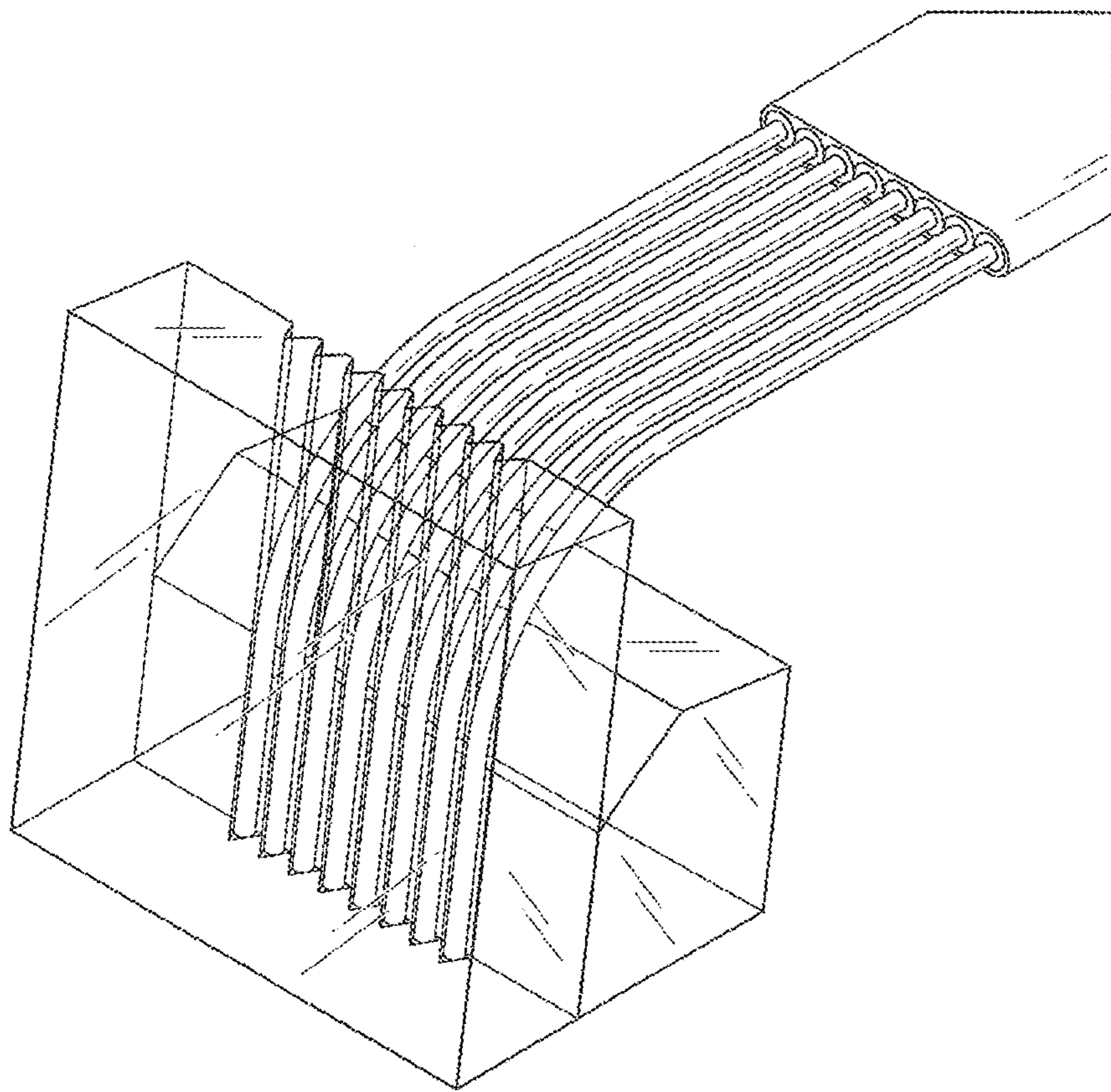


FIG. 11

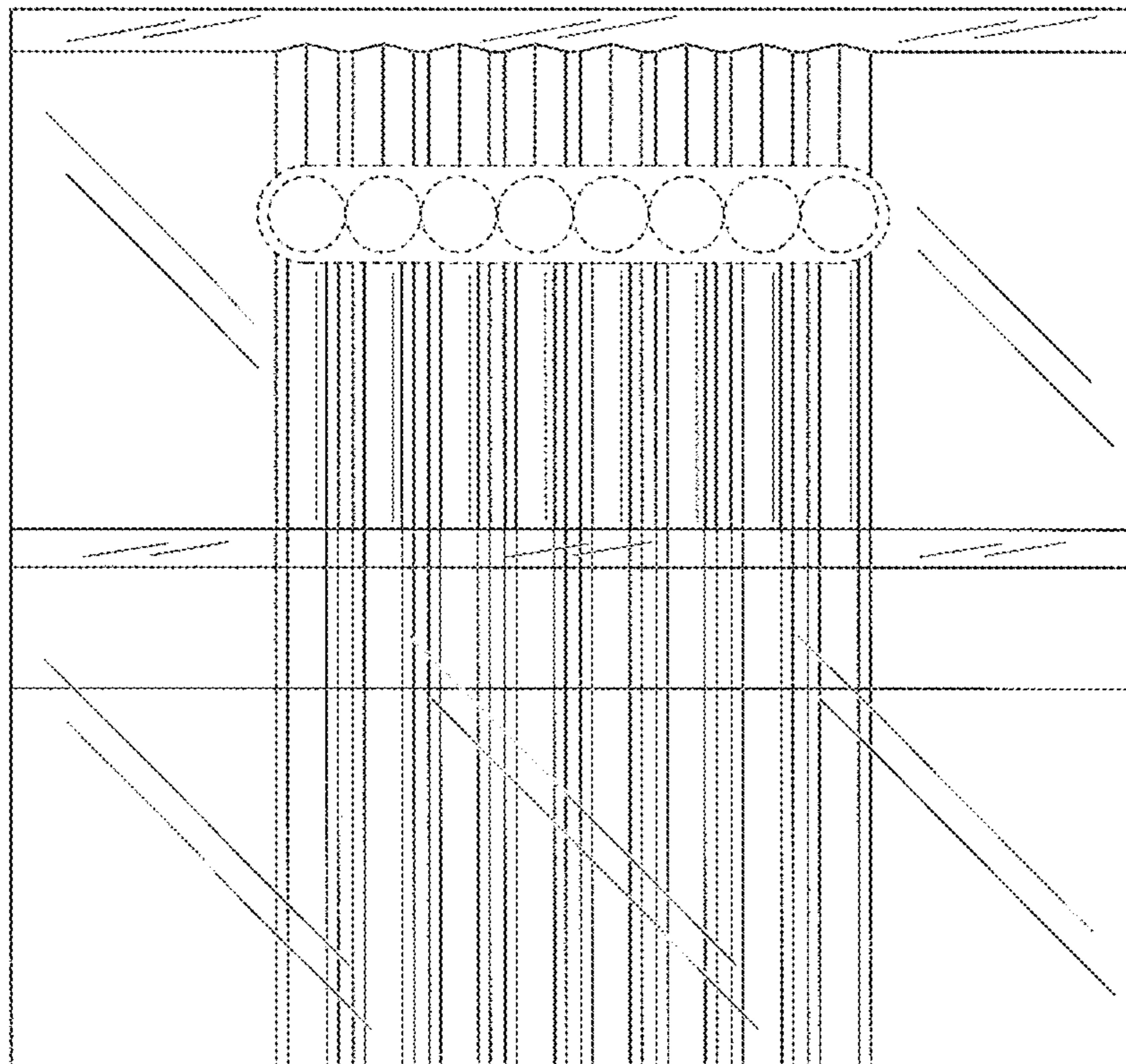


FIG. 12

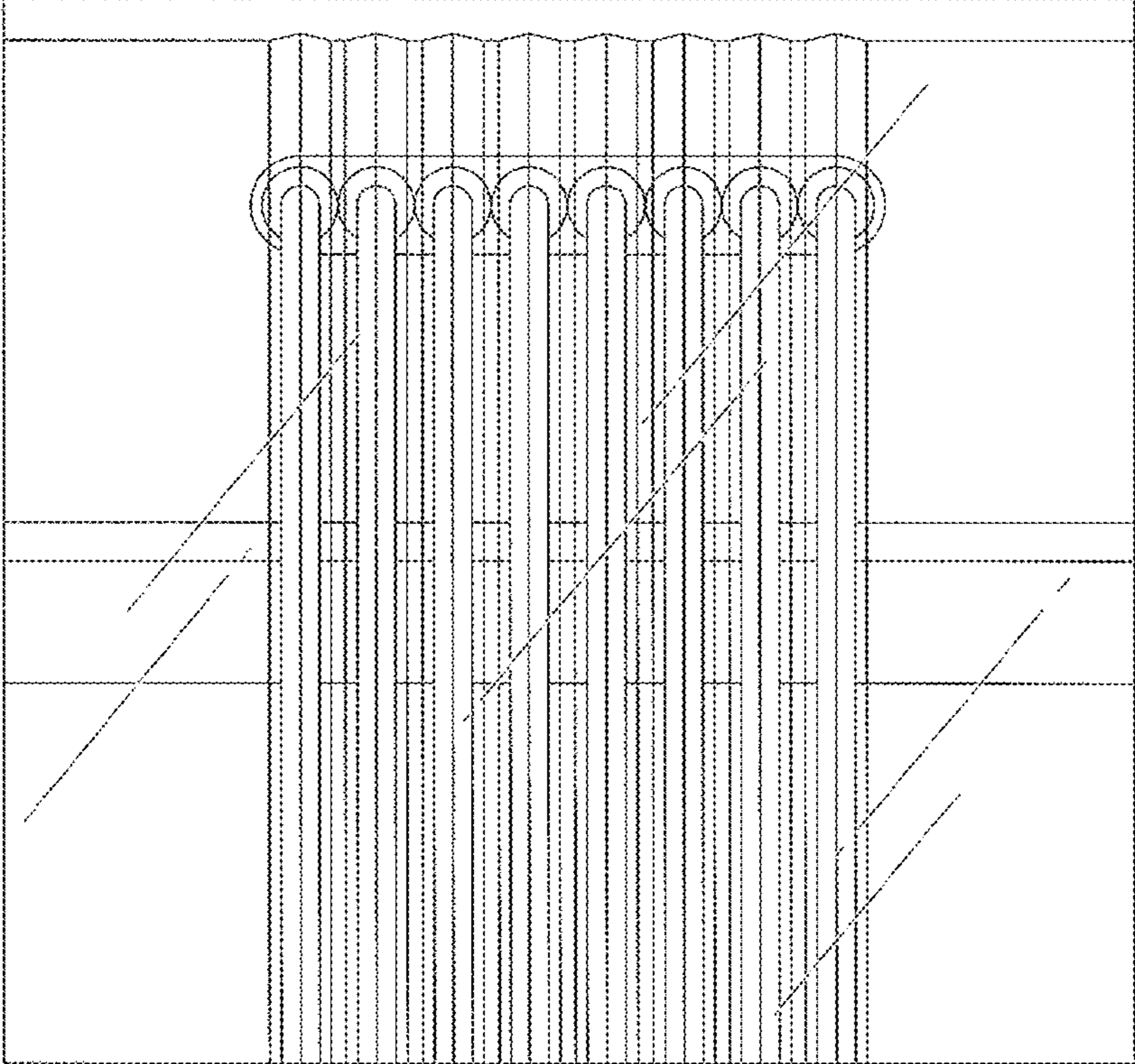


FIG. 13

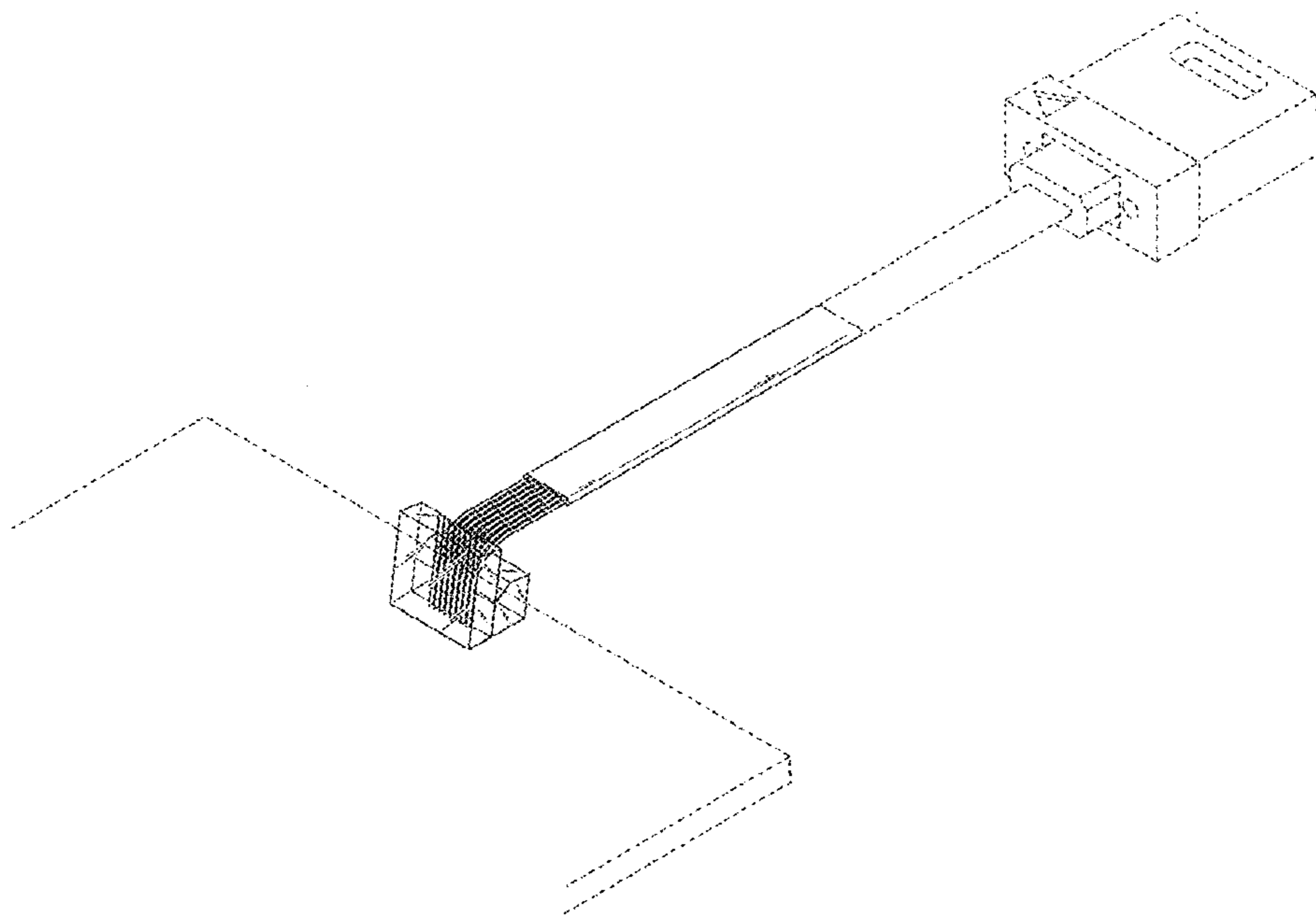


FIG. 14