



US00D799427S

(12) **United States Design Patent** (10) **Patent No.:** **US D799,427 S**  
**Newhouse et al.** (45) **Date of Patent:** **\*\* Oct. 10, 2017**

(54) **DESKTOP RECEPTACLE COVER**  
(71) Applicant: **Group Dekko, Inc.**, Garrett, IN (US)  
(72) Inventors: **Thomas J. Newhouse**, Grand Rapids, MI (US); **Vincent Maranto**, Fort Wayne, IN (US)  
(73) Assignee: **Group Dekko, Inc.**, Garrett, IN (US)  
(\*\*) Term: **15 Years**  
(21) Appl. No.: **29/555,068**  
(22) Filed: **Feb. 18, 2016**  
(51) **LOC (10) Cl.** ..... **13-03**  
(52) **U.S. Cl.**  
USPC ..... **D13/139.4**  
(58) **Field of Classification Search**  
USPC ..... D13/108, 110, 123, 133, 137.1-137.4,  
D13/138.1-138.2, 139.1-139.8, 152-154,  
D13/156, 158, 177, 146, 147;  
D8/350-353, 331; D25/138, 163, 164  
CPC ..... H01R 25/00; H01R 25/006; H01R 9/00;  
H01R 11/00; H05K 5/02  
See application file for complete search history.

7,614,889 B1 \* 11/2009 Black ..... H01R 13/5213  
174/67  
D605,139 S \* 12/2009 Moore ..... D13/156  
D633,877 S \* 3/2011 Heng ..... D13/182  
D635,921 S \* 4/2011 Sato ..... D13/139.4  
D640,641 S \* 6/2011 Felegy, Jr. .... D13/158  
D662,885 S \* 7/2012 Hoffman ..... D13/139.1  
D686,992 S \* 7/2013 Eisen ..... D13/133  
D709,031 S \* 7/2014 Byrne ..... D13/139.4

(Continued)

**OTHER PUBLICATIONS**

Dekko.com: Dekko Power & Data Products, Stafford Mini. Retrieved from the internet at <<http://www.dekko.com/power-data-product/stafford-mini/>>, Jul. 25, 2017. 1 page.\*

*Primary Examiner* — Rosemary K Tarcza  
*Assistant Examiner* — Christy Nemeth  
(74) *Attorney, Agent, or Firm* — Taylor IP, P.C.

(57) **CLAIM**

The ornamental design for a desktop receptacle cover, as shown and described.

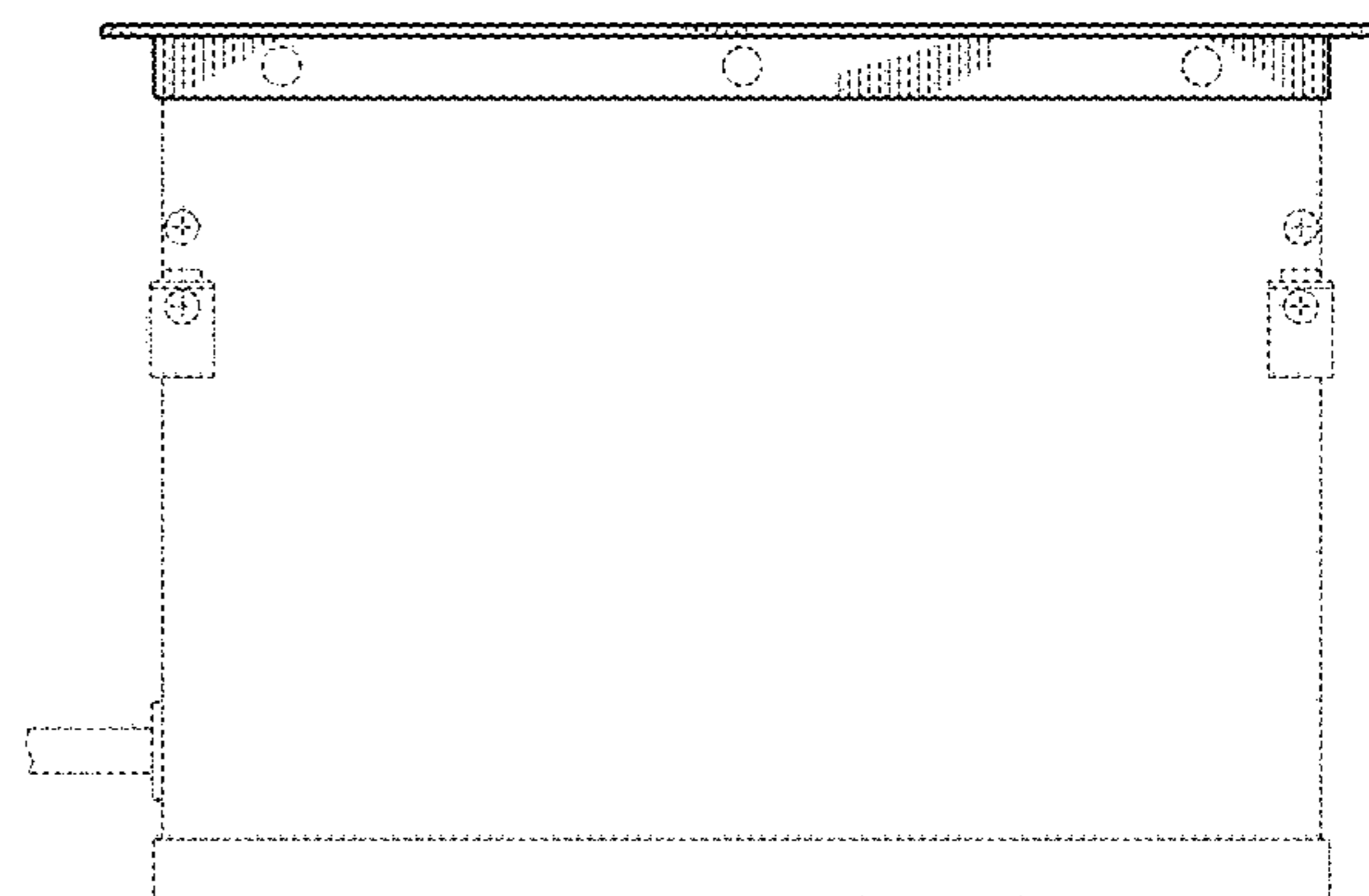
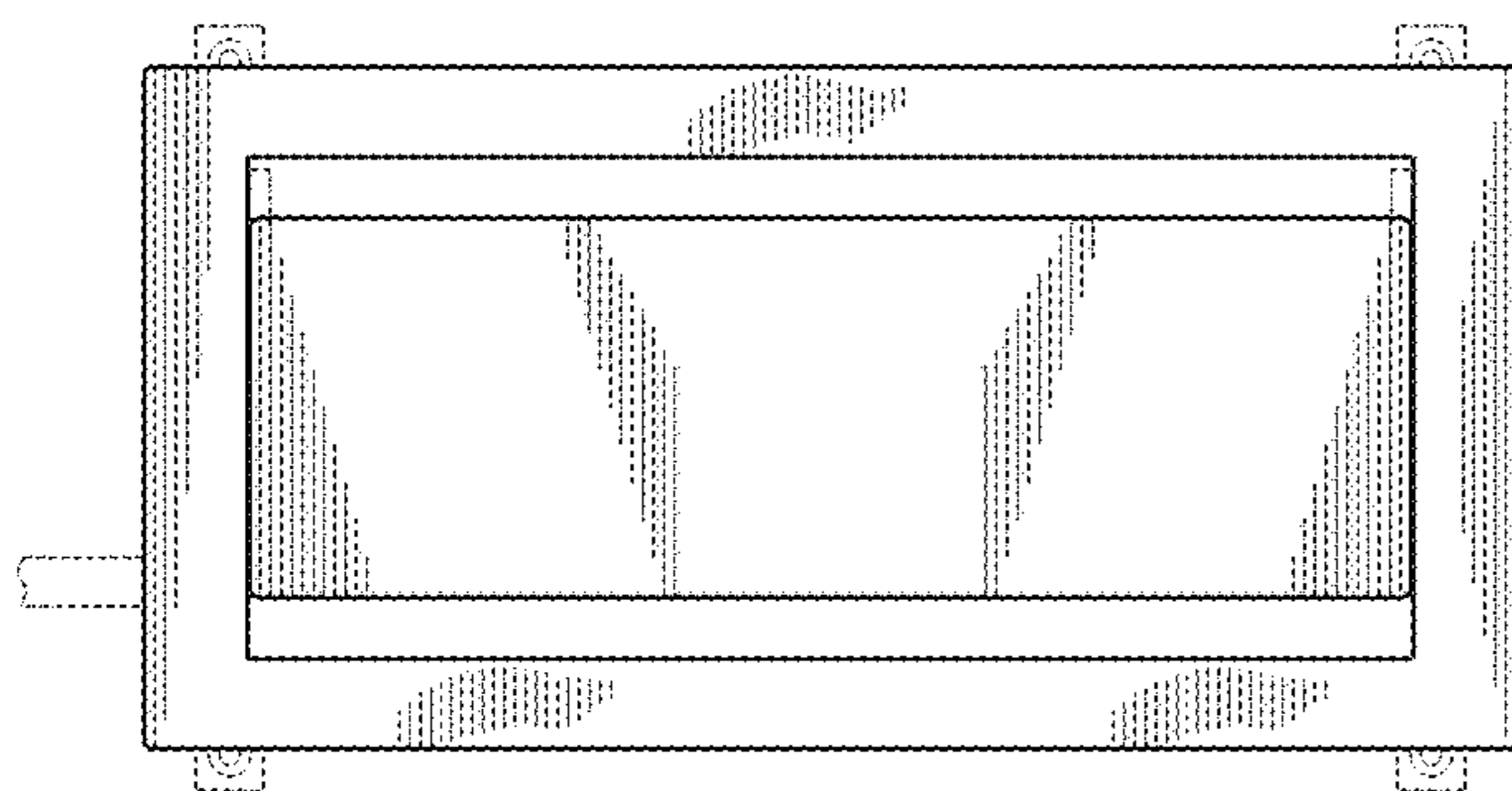
**DESCRIPTION**

FIG. 1 is a top view of a desktop receptacle cover shown in the environment of a desktop receptacle;  
FIG. 2 is a front view thereof;  
FIG. 3 is a side view thereof;  
FIG. 4 is a rear perspective view thereof;  
FIG. 5 is a bottom view thereof;  
FIG. 6 is a second top view of the desktop receptacle cover, shown without environment for ease of illustration; and,  
FIG. 7 is a cross-sectional view thereof taken along the line 7-7 in FIG. 6.

In the drawings, the broken lines are for the purpose of illustrating environment only and form no part of the claimed design.

**1 Claim, 4 Drawing Sheets**

(56) **References Cited**  
U.S. PATENT DOCUMENTS  
D269,429 S \* 6/1983 Doyle ..... D13/152  
D350,530 S \* 9/1994 Comerci ..... D13/156  
D389,307 S \* 1/1998 Zimmerman ..... D3/273  
D401,558 S \* 11/1998 Almond ..... D13/152  
D443,592 S \* 6/2001 Frattini ..... D13/152  
D471,159 S \* 3/2003 Albicker ..... D13/152  
D493,695 S \* 8/2004 Wengrower ..... D13/177  
D510,906 S \* 10/2005 Vinciarelli ..... D13/110  
D513,871 S \* 1/2006 Rosine ..... D3/273  
D520,947 S \* 5/2006 Vinciarelli ..... D13/110  
D531,798 S \* 11/2006 Ringo ..... D3/273  
D573,005 S \* 7/2008 Huang ..... D8/353  
D597,960 S \* 8/2009 Dinh ..... D13/152



(56)

**References Cited**

U.S. PATENT DOCUMENTS

D716,232 S \* 10/2014 Byrne ..... D13/139.4  
D733,065 S \* 6/2015 Porter ..... D13/152  
D744,951 S \* 12/2015 Oosterman ..... D13/139.1  
D752,517 S \* 3/2016 Scott ..... D13/139.4  
D755,128 S \* 5/2016 Page ..... D13/139.4  
D755,129 S \* 5/2016 Page ..... D13/139.4  
D762,102 S \* 7/2016 Gokcebay ..... D8/330  
D774,469 S \* 12/2016 Suenaga ..... D13/156  
D775,080 S \* 12/2016 Newhouse ..... D13/139.4  
2016/0037666 A1\* 2/2016 Page ..... A47B 21/06  
312/223.6  
2017/0063426 A1\* 3/2017 Daigle ..... H01R 25/006

\* cited by examiner

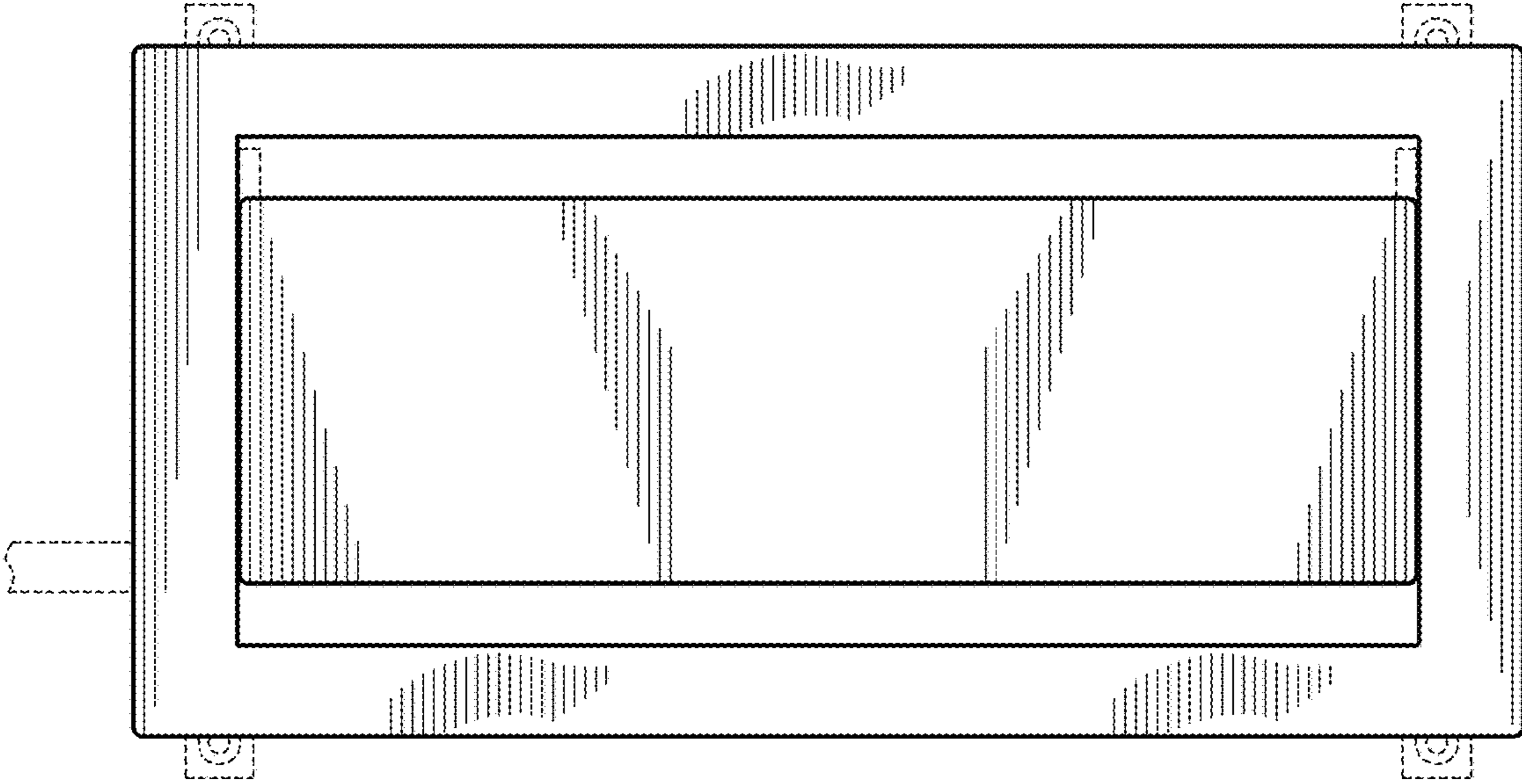


Fig. 1

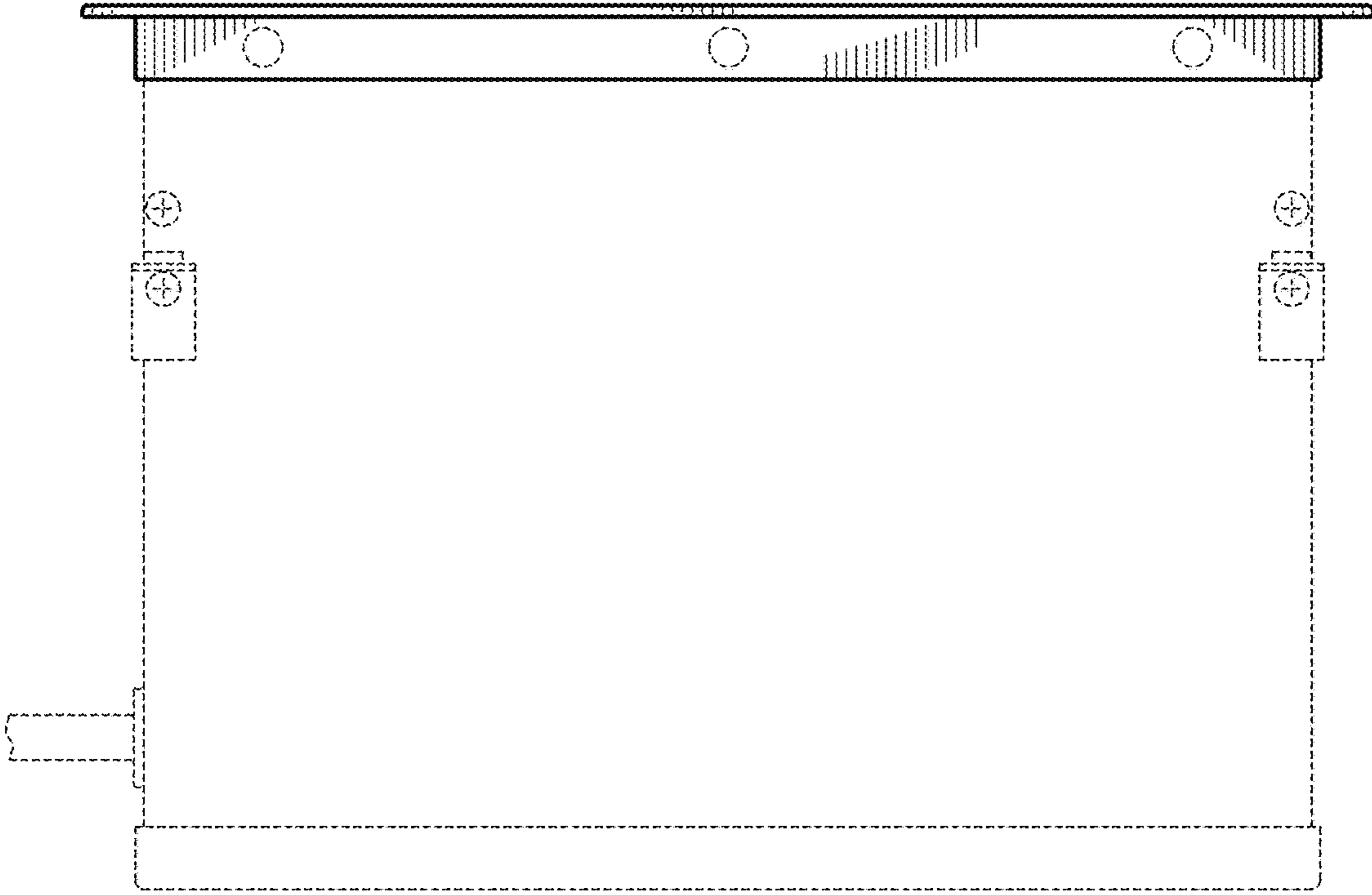


Fig. 2

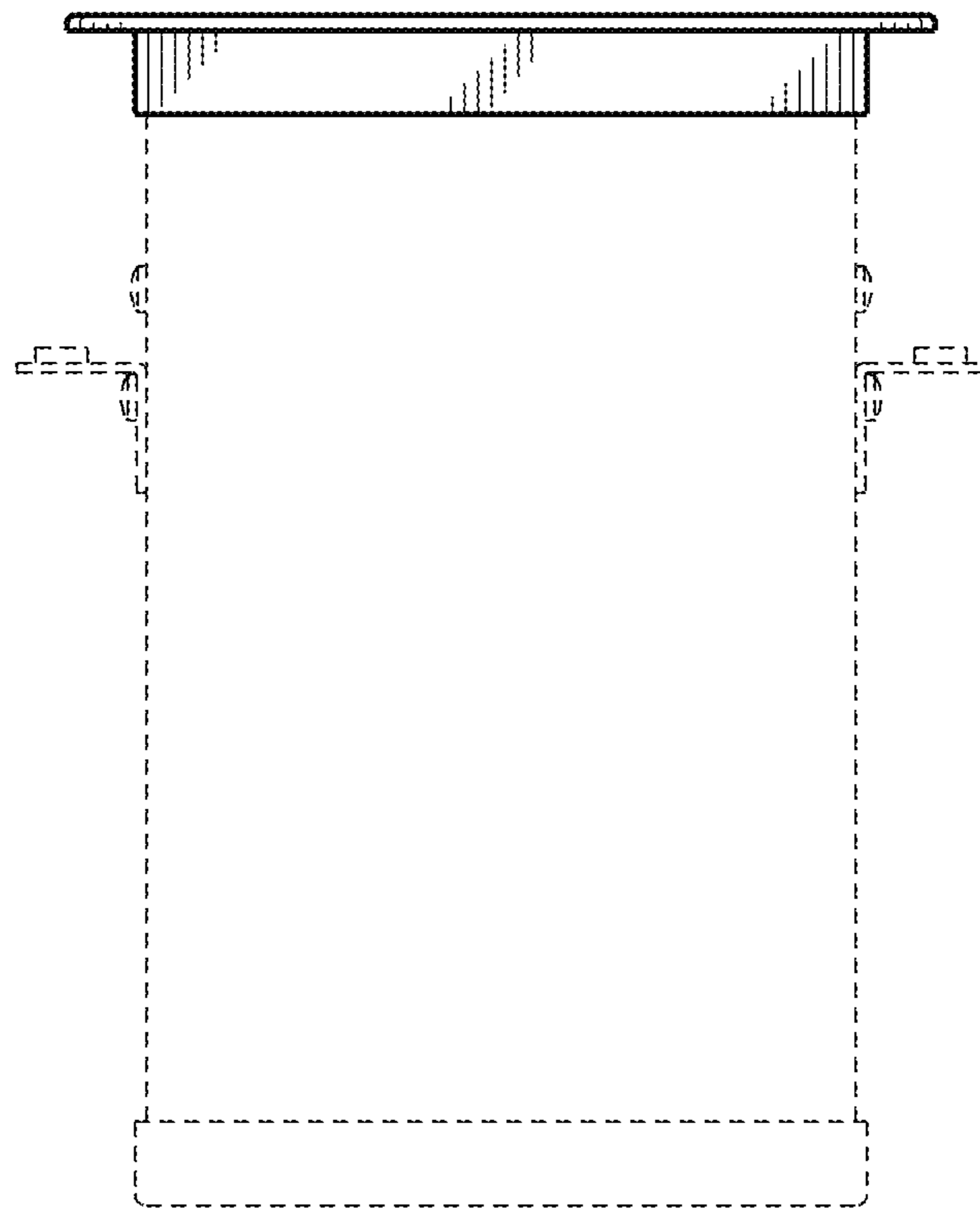


Fig. 3

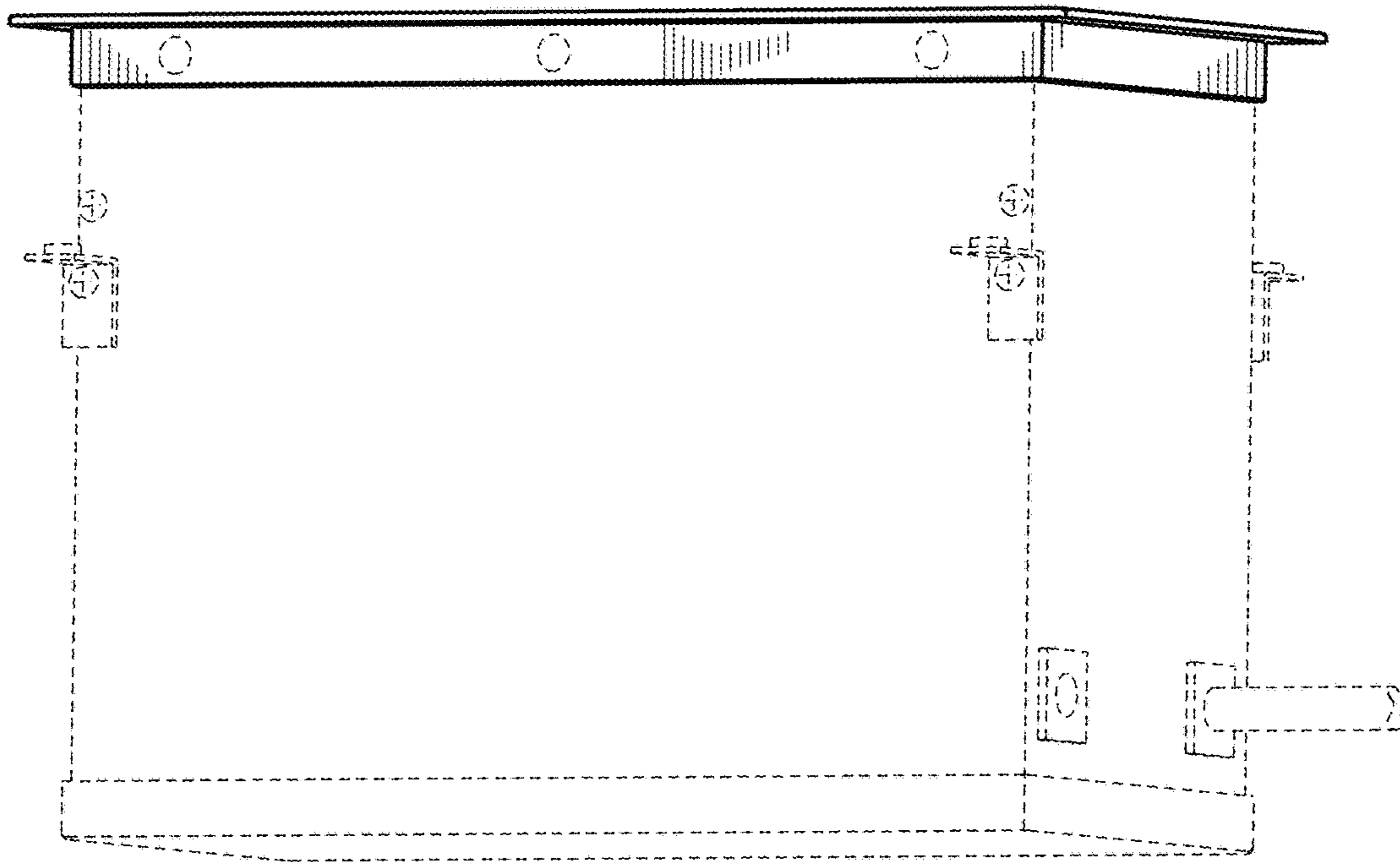


Fig. 4

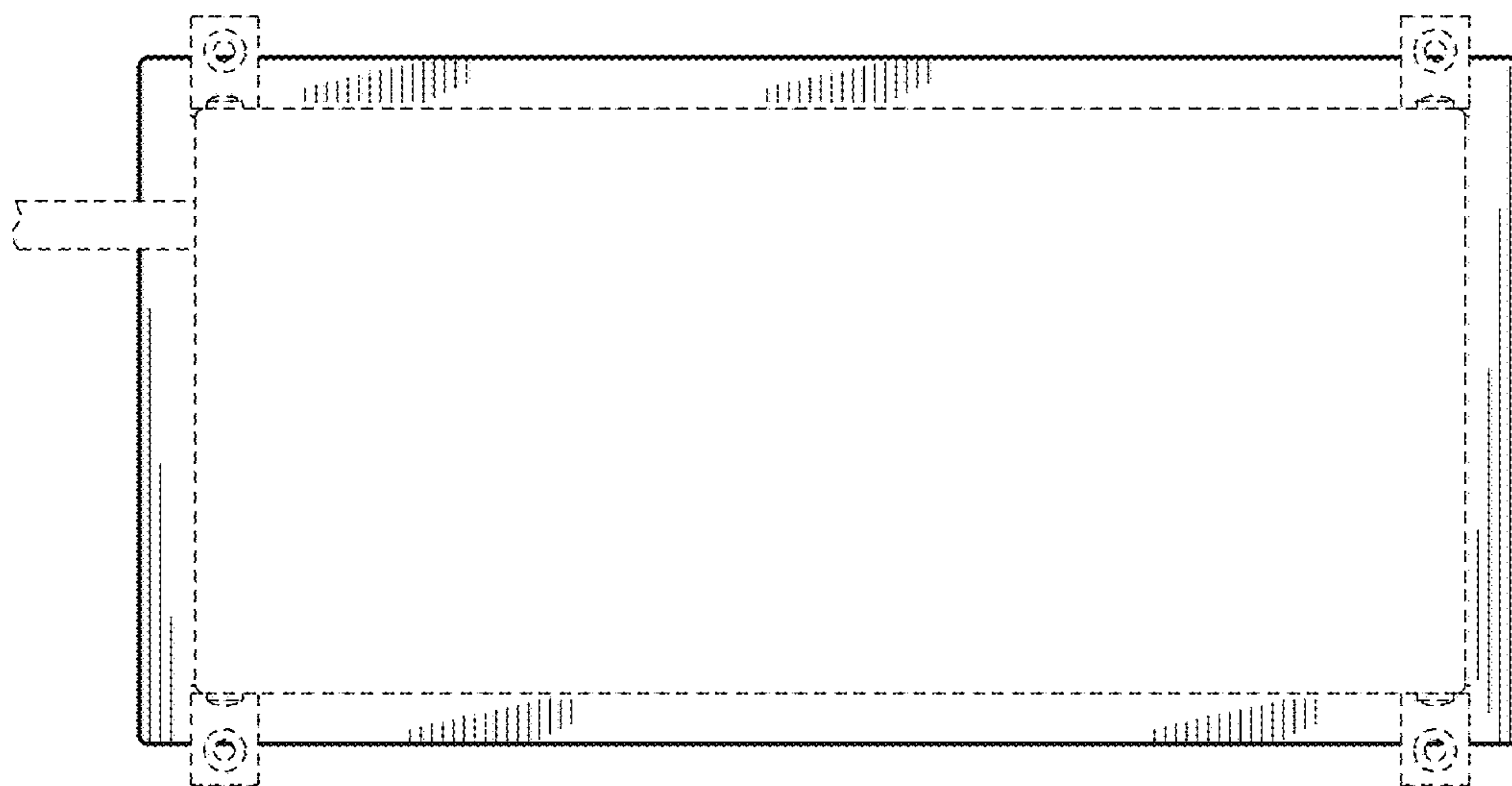


Fig. 5

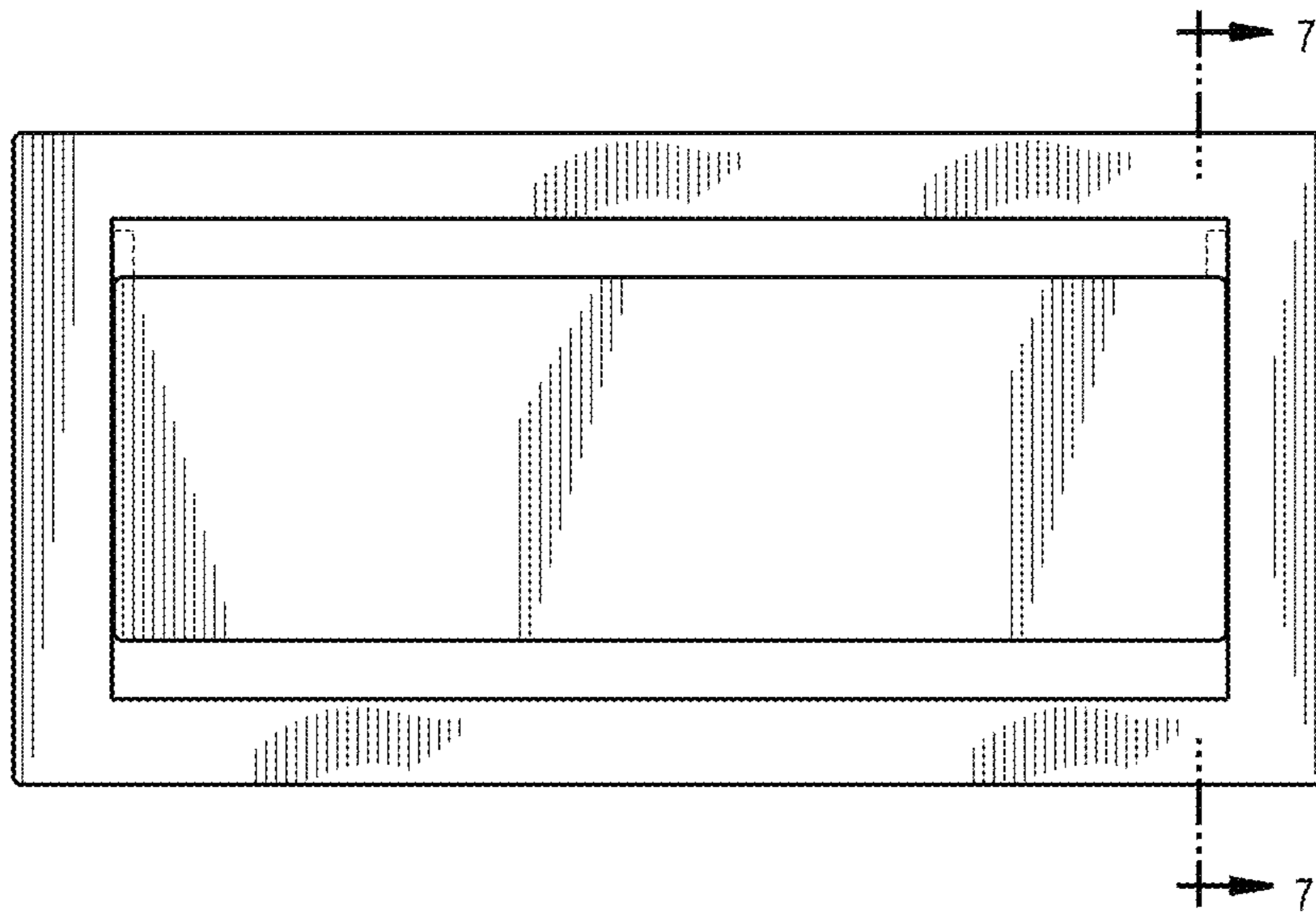


Fig. 6

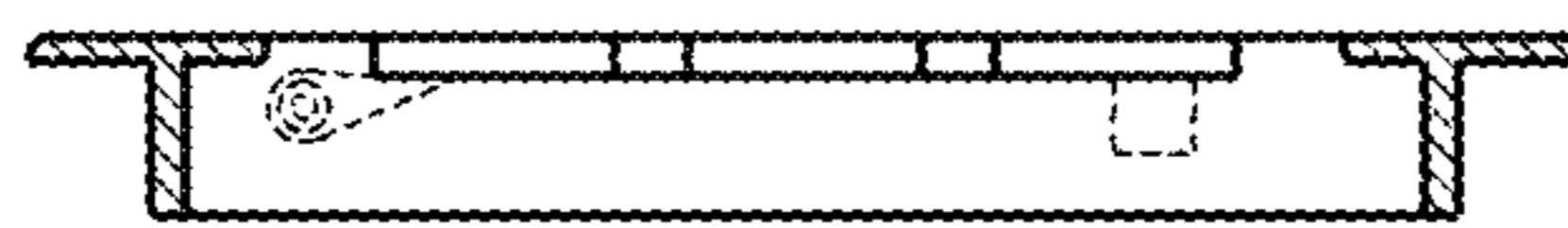


Fig. 7