



US00D799425S

(12) **United States Design Patent** (10) **Patent No.:** **US D799,425 S**
Kitsugi et al. (45) **Date of Patent:** **** Oct. 10, 2017**

(54) **BATTERY**

(71) Applicant: **Nikon Corporation**, Tokyo (JP)
(72) Inventors: **Yasuo Kitsugi**, Saitama (JP); **Toshiaki Kobayashi**, Fukushima-ken (JP); **Hideaki Asano**, Chiba (JP); **Takasumi Murase**, Chigasaki (JP); **Masuhiko Yamasaki**, Tokyo (JP)

(73) Assignee: **Nikon Corporation**, Tokyo (JP)

(**) Term: **14 Years**

(21) Appl. No.: **29/497,785**

(22) Filed: **Jul. 29, 2014**

(30) **Foreign Application Priority Data**

Jan. 30, 2014 (JP) 2014-001812
Jan. 30, 2014 (JP) 2014-001813
Jan. 30, 2014 (JP) 2014-001815

(51) **LOC (10) Cl.** **13-03**

(52) **U.S. Cl.**
USPC **D13/119**

(58) **Field of Classification Search**
USPC D13/102-106, 110, 119-121, 184;
429/96-100, 163, 176

(Continued)

(56) **References Cited**

U.S. PATENT DOCUMENTS

D400,496 S * 11/1998 Barber D13/103
D414,158 S * 9/1999 Frye D13/103

(Continued)

FOREIGN PATENT DOCUMENTS

CN 3471844 8/2005
JP 1460693 2/2013

OTHER PUBLICATIONS

Office Action in corresponding Japanese patent application No. D2014-001815; dated Aug. 8, 2014, pp. 1-2.

(Continued)

Primary Examiner — Eric Goodman
Assistant Examiner — Sanjeev Paul
(74) *Attorney, Agent, or Firm* — Wolf, Greenfield & Sacks, P.C.

(57) **CLAIM**

The ornamental design for a battery, as shown and described.

DESCRIPTION

FIG. 1 is a front, top and right side perspective view of a first embodiment of a battery showing our new design; FIG. 2 is a rear, top and left side perspective view thereof; FIG. 3 is a front view thereof; FIG. 4 is a rear view thereof; FIG. 5 is a top plan view thereof; FIG. 6 is a right side view thereof; FIG. 7 is a left side view thereof; FIG. 8 is an enlarged cross-sectional view of an upper portion of the article taken along line 8-8 in FIG. 3 with the internal structure omitted; FIG. 9 is an enlarged cross-sectional view of an upper portion of the article taken along line 9-9 in FIG. 5 with the internal structure omitted; FIG. 10 is a front, top and right side perspective view of a second embodiment of a battery showing our new design; FIG. 11 is a rear, top and left side perspective view thereof; FIG. 12 is a front view thereof; FIG. 13 is a rear view thereof; FIG. 14 is a top plan view thereof; FIG. 15 is a right side view thereof; FIG. 16 is a left side view thereof; FIG. 17 is an enlarged cross-sectional view of an upper portion of the article taken along line 17-17 in FIG. 12 with the internal structure omitted; FIG. 18 is an enlarged cross-sectional view of an upper portion of the article taken along line 18-18 in FIG. 14 with the internal structure omitted; FIG. 19 is a front, top and right side perspective view of a third embodiment of a battery showing our new design; FIG. 20 is a rear, top and left side perspective view thereof; FIG. 21 is a front view thereof; FIG. 22 is a rear view thereof; FIG. 23 is a top plan view thereof;

(Continued)

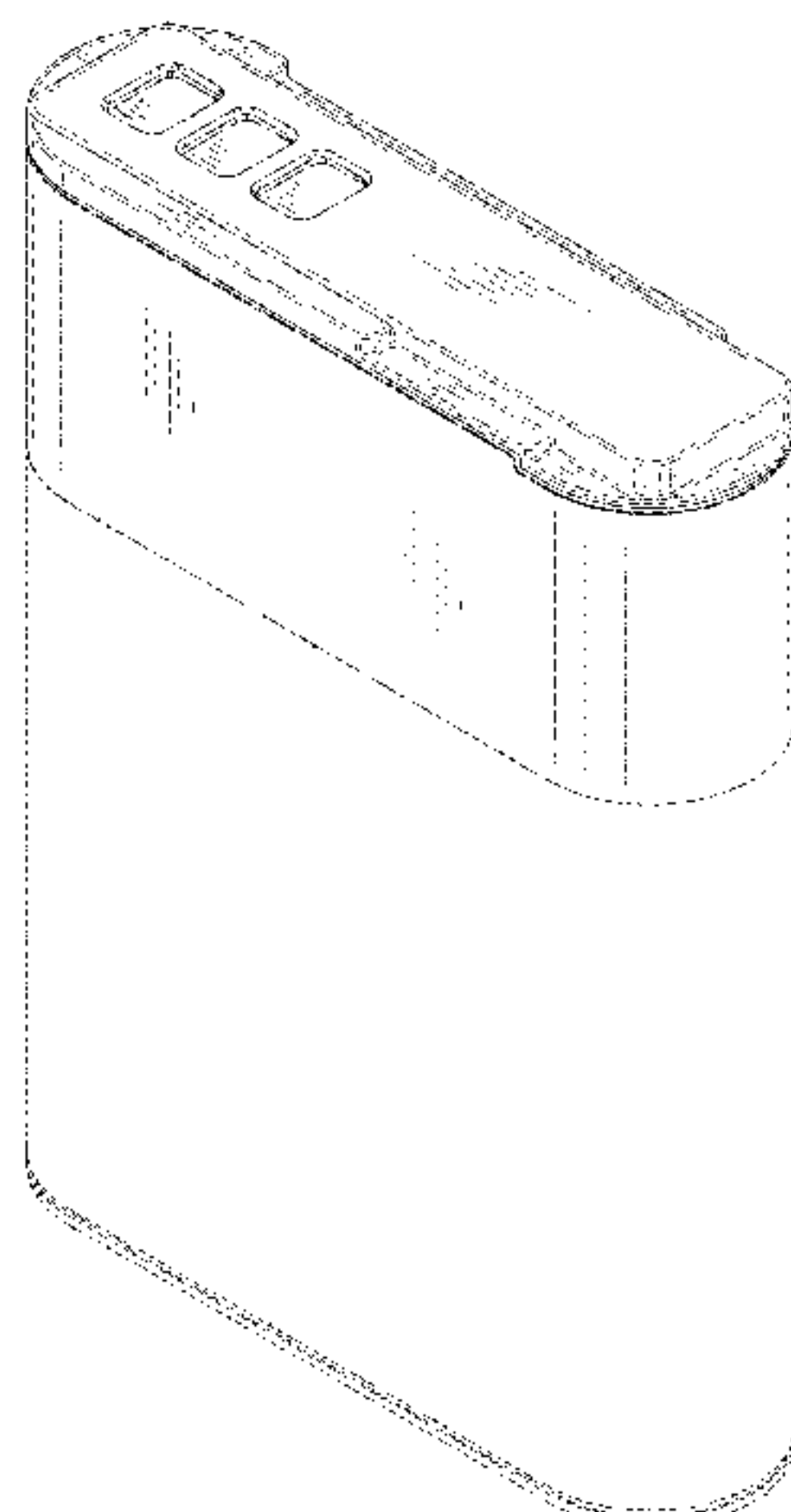


FIG. 24 is a right side view thereof;
 FIG. 25 is a left side view thereof;
 FIG. 26 is an enlarged cross-sectional view of an upper portion of the article taken along line 26-26 in FIG. 21 with the internal structure omitted; and,
 FIG. 27 is an enlarged cross-sectional view of an upper portion of the article taken along line 27-27 in FIG. 23 with the internal structure omitted.
 The features shown in broken lines in the drawings depict environmental subject matter only and form no part of the claimed design. The dashed-dotted lines denote the boundary of the claim and form no part of the claimed design.

1 Claim, 27 Drawing Sheets

(58) **Field of Classification Search**

CPC Y02E 60/12; Y02E 60/122; Y02E 60/124;
 Y02E 60/50; H01M 2/02; H01M 2/022;
 H01M 2/0202; H01M 2/0207; H01M
 2/0212; H01M 2/1061; H01M 2/1022;
 H01M 2/1055; H01M 2/1066; H01M
 2/105; H01M 2/204; H01M 10/4257;
 H01M 10/0436; H01M 10/48

See application file for complete search history.

(56) **References Cited**

U.S. PATENT DOCUMENTS

D414,159	S	*	9/1999	Deslyper	D13/103
D516,503	S		3/2006	Takeshita et al.	
D524,241	S	*	7/2006	Takeshita	D13/103
D558,143	S	*	12/2007	Hsu	D13/110
D590,334	S	*	4/2009	Tatehata	D13/103
D590,335	S	*	4/2009	Tatehata	D13/103
D590,336	S	*	4/2009	Tatehata	D13/103
D590,337	S	*	4/2009	Tatehata	D13/103
D590,339	S	*	4/2009	Yang	D13/110
D590,341	S	*	4/2009	Tatehata	D13/103
D590,769	S	*	4/2009	Tatehata	D13/103
D592,130	S	*	5/2009	Tatehata	D13/103
D594,402	S	*	6/2009	Inoue	D13/103
D601,494	S	*	10/2009	Otani	D13/103
D608,276	S	*	1/2010	Takeshita	D13/103
D618,171	S	*	6/2010	Tatehata	D13/103
D635,512	S	*	4/2011	Tatehata	D13/119
D642,978	S	*	8/2011	Sato	D13/103
D642,980	S	*	8/2011	Inaba	D13/119
D644,178	S	*	8/2011	Sato	D13/120
D644,988	S	*	9/2011	Finney	D13/103
D645,814	S	*	9/2011	Otani	D13/103
D646,222	S	*	10/2011	Tatehata	D13/103

2002/0012838	A1*	1/2002	Tsukada	C23C 30/00
				429/176
2006/0073384	A1*	4/2006	Heo	H01M 2/0202
				429/176
2006/0099491	A1*	5/2006	Jeon	H01M 2/1241
				429/53
2006/0099492	A1*	5/2006	Jeon	H01M 2/0404
				429/61
2006/0210870	A1*	9/2006	Moon	H01M 2/1061
				429/175
2007/0224501	A1*	9/2007	Yoon	H01M 2/0202
				429/176
2016/0319125	A1*	11/2016	Hyun	C08L 69/00
2016/0329610	A1*	11/2016	Kim	H01M 10/4257

OTHER PUBLICATIONS

Office Action in corresponding Japanese patent application No. D2014-001816; dated Aug. 8, 2014, pp. 1-2.
 Japanese Patent Office's Reference No. HJ24000949000, "Adobe Scene 7 Zoom", W.W. Grainger, Inc., Publication Date—Jun. 4, 2012, pp. 1-2, <http://productimages.grainger.com/s7viewers/dhtml/genericZoomMobile.html?serverUrl=http://productimages.grainger.com/is/image/&style=Grainger%2FCSS%2FbasicZoomMobile%2Ec&contentRoot=http://productim>.
 Japanese Patent Office's Reference No. HJ2400949400, "Adobe Scene 7 Zoom", W.W. Granger, Inc., Publication Date Jun. 4, 2014, pp. 1-2, <http://productimages.grainger.com/s7viewers/dhtml/genericZoomMobile.html?serverUrl=http://productimages.grainger.com/is/image/&style=Grainger%2FCSS%2FbasicZoomMobile%2Ec&contentRoot=http://productim>.
 Japanese Patent Office's Reference No. HJ2400949000, "Adobe Scene 7 Zoom", W.W. Grainger, Inc., Publication Date—Jun. 4, 2012, pp. 1-2, <http://productimages.grainger.com/s7viewers/dhtml/genericZoomMobile.html?serverUrl=http://productimages.grainger.com/is/image/&style=Grainger%2FCSS%2FbasicZoomMobile%2Ec&contentRoot=http://productim>.
 Japanese Patent Office's Reference No. HJ2400949400, "Adobe Scene 7 Zoom", W.W. Granger, Inc., Publication Date Jun. 4, 2012, pp. 1-2, <http://productimages.grainger.com/s7viewers/dhtml/genericZoomMobile.html?serverUrl=http://productimages.grainger.com/is/image/&style=Grainger%2FCSS%2FbasicZoomMobile%2Ec&contentRoot=http://productim>.
 Japanese Patent Office's Reference No. HJ2400949800, "Adobe Scene 7 Zoom", W.W. Granger, Inc., Publication Date Jun. 4, 2012, pp. 1-2, <http://productimages.grainger.com/s7viewers/dhtml/genericZoomMobile.html?serverUrl=http://productimages.grainger.com/is/image/&style=Grainger%2FCSS%2FbasicZoomMobile%2Ec&contentRoot=http://productim>.

* cited by examiner

Fig.1

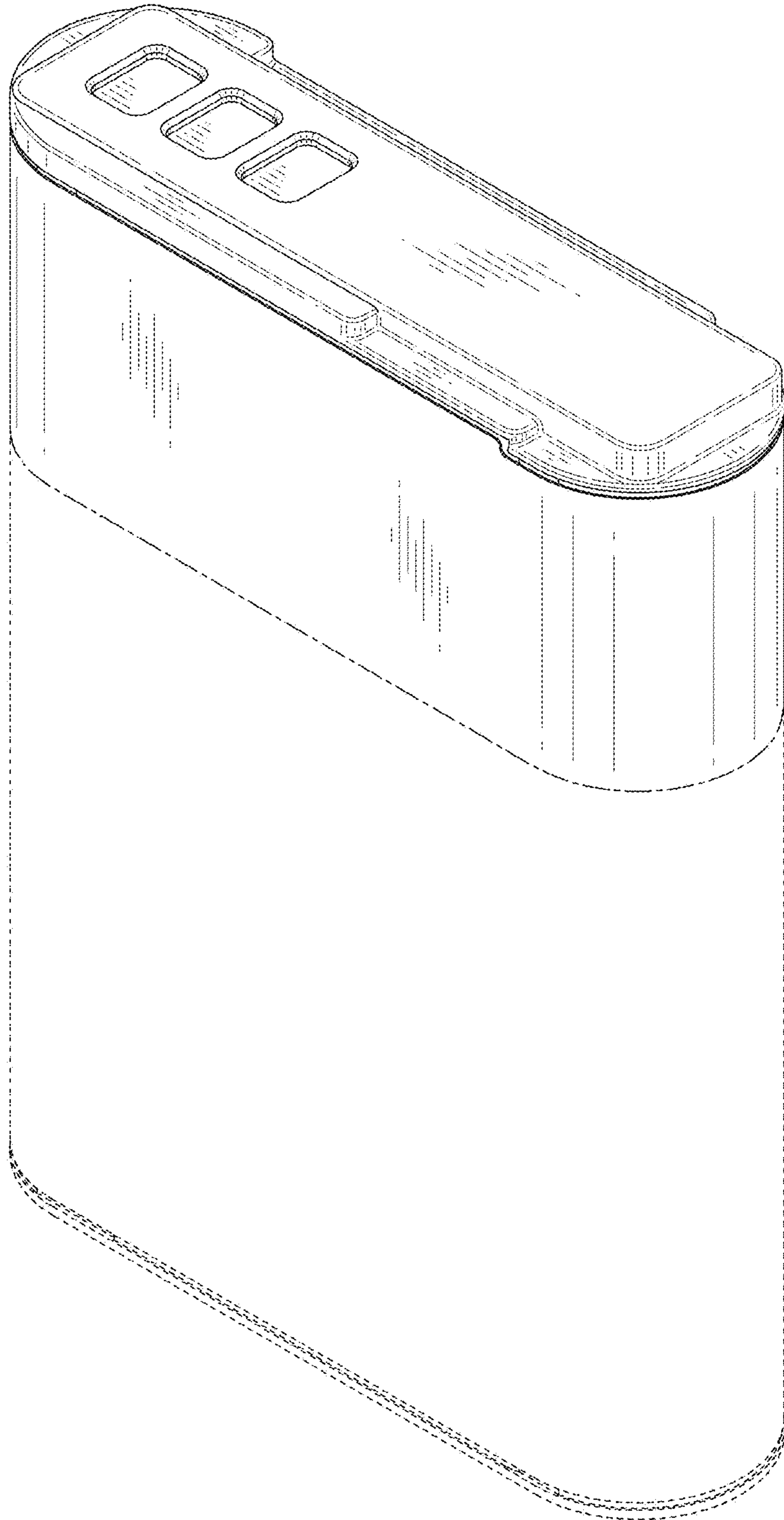


Fig.2

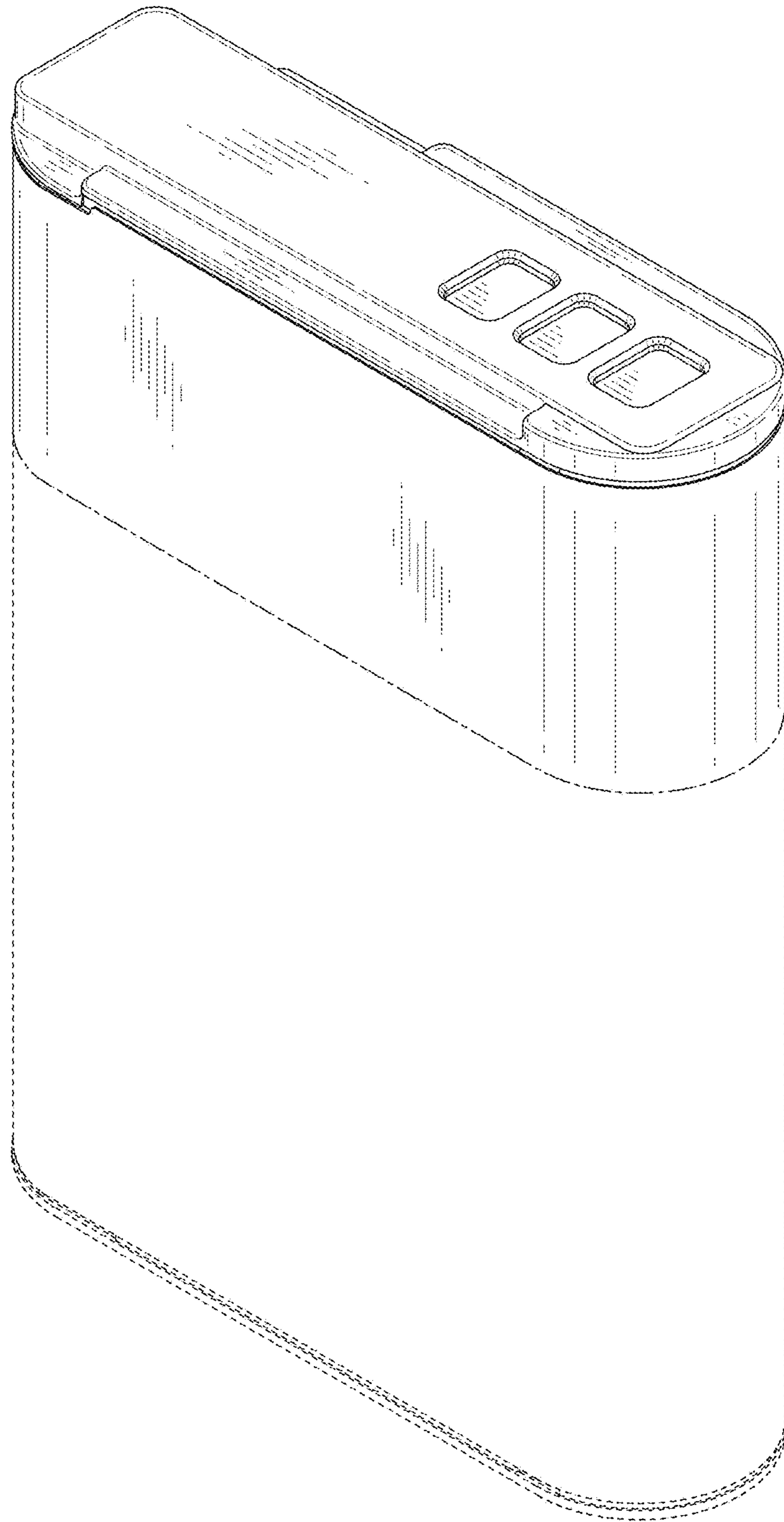


Fig.3

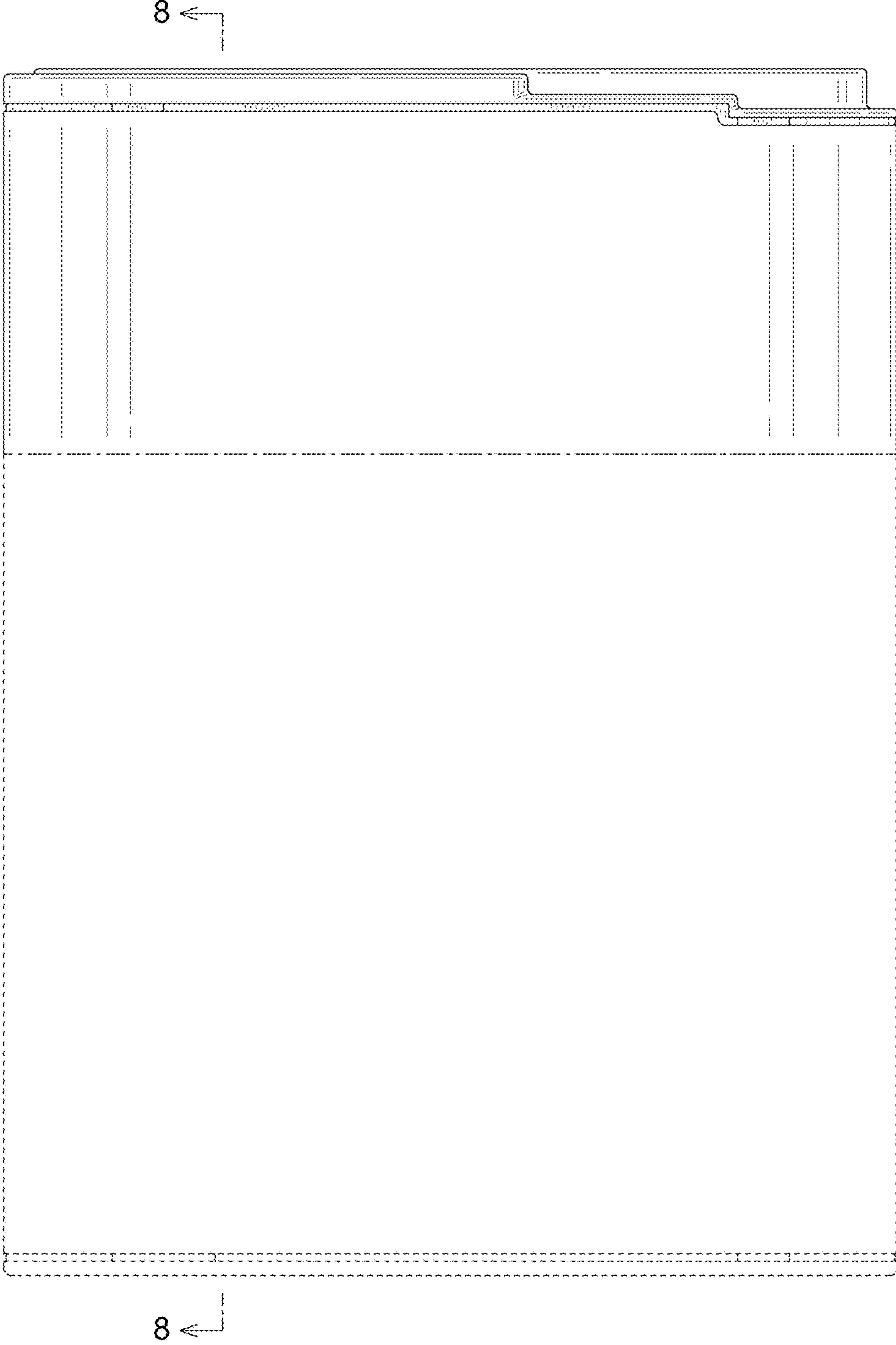


Fig.4

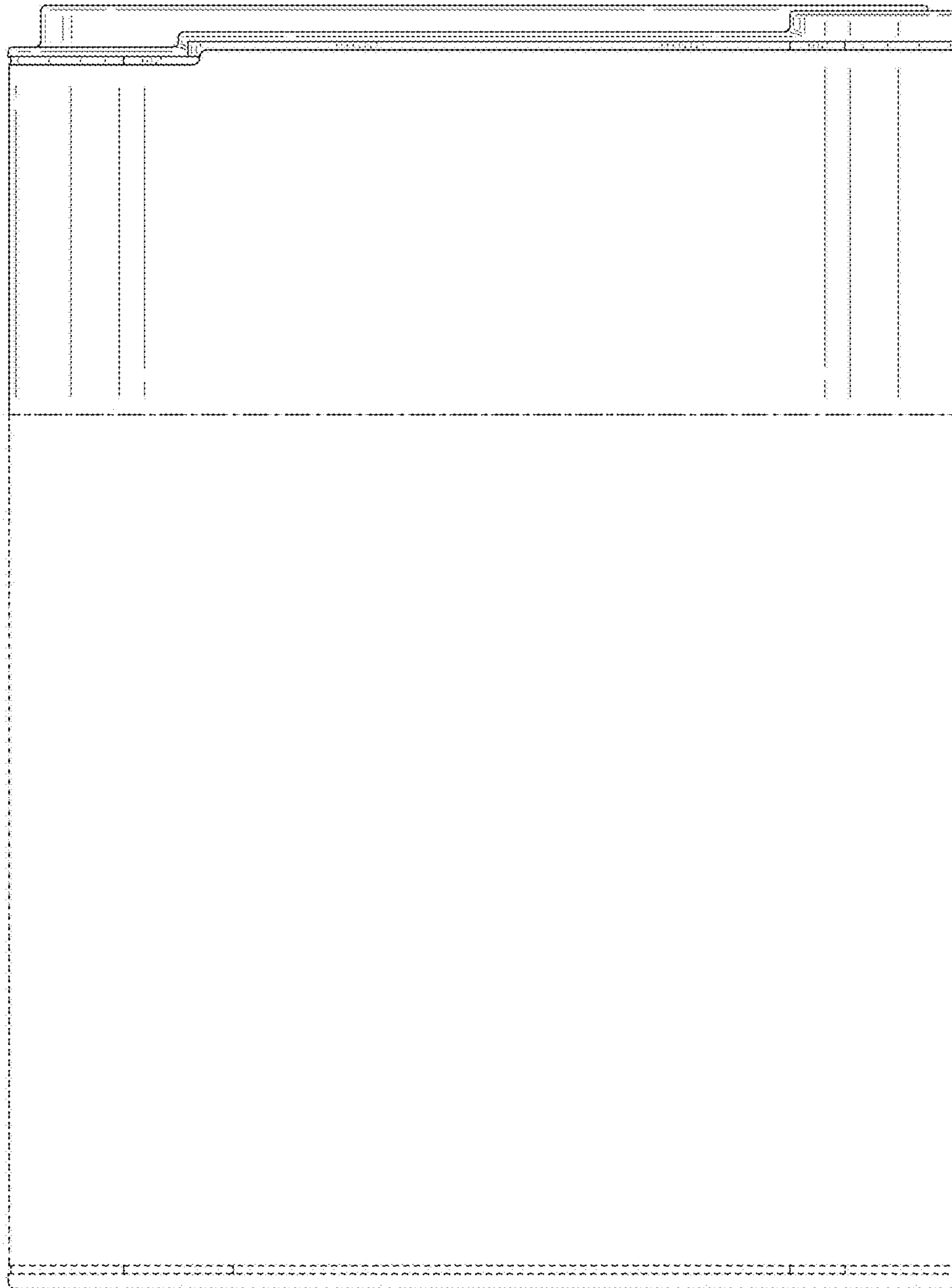


Fig.5

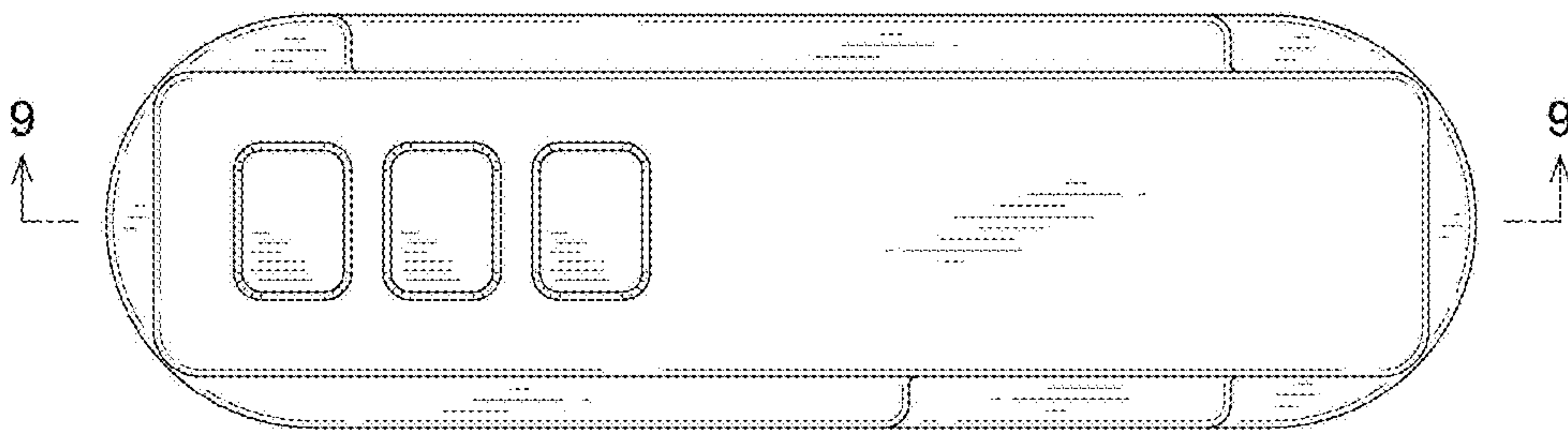


Fig.6

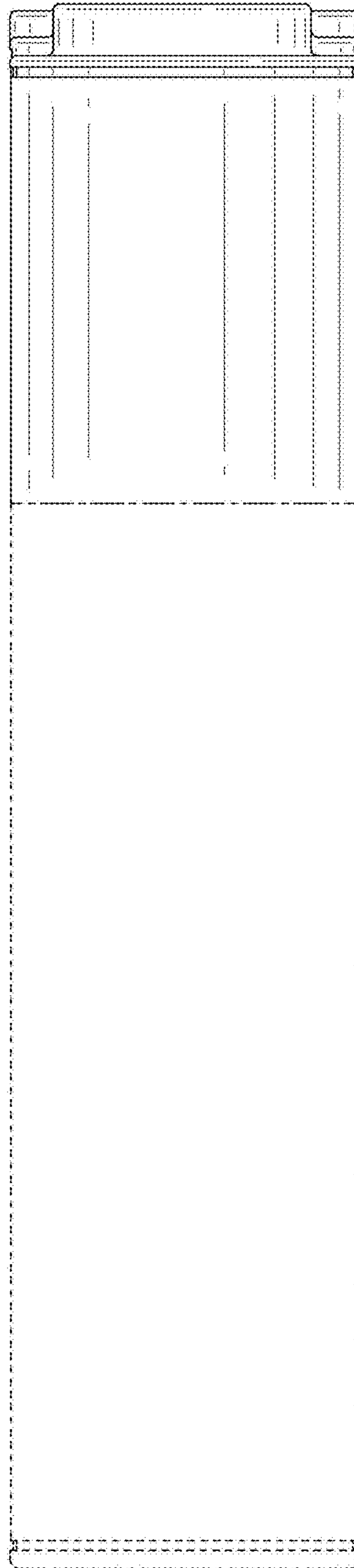


Fig.7

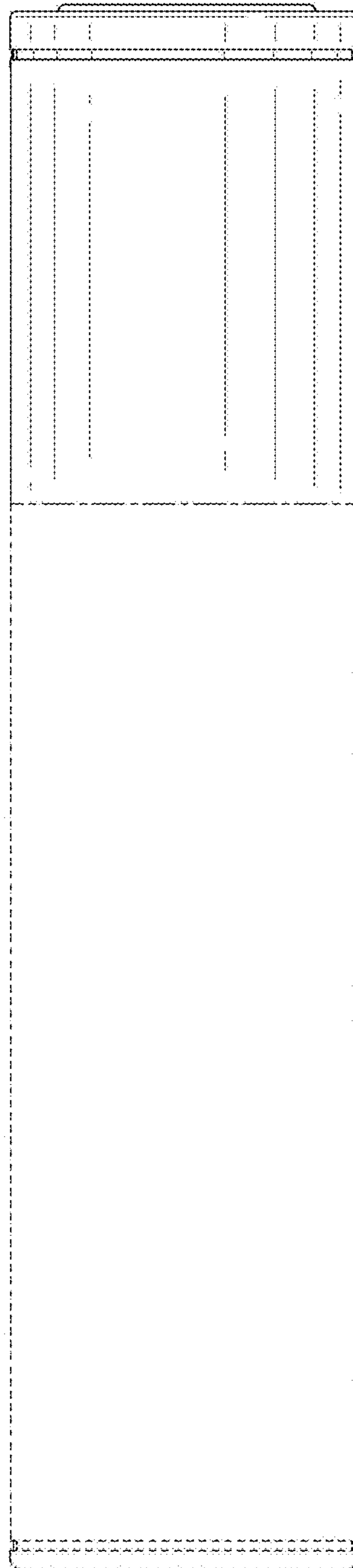


Fig.8

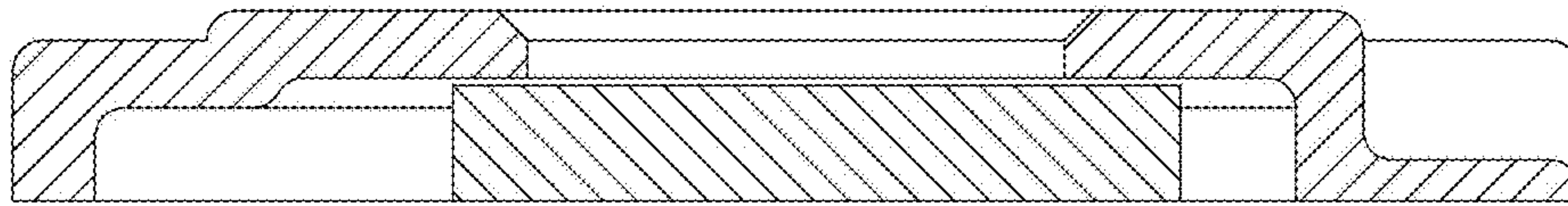


Fig.9

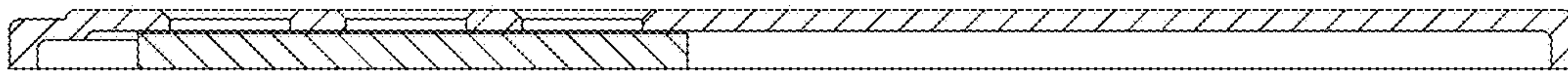


Fig.10

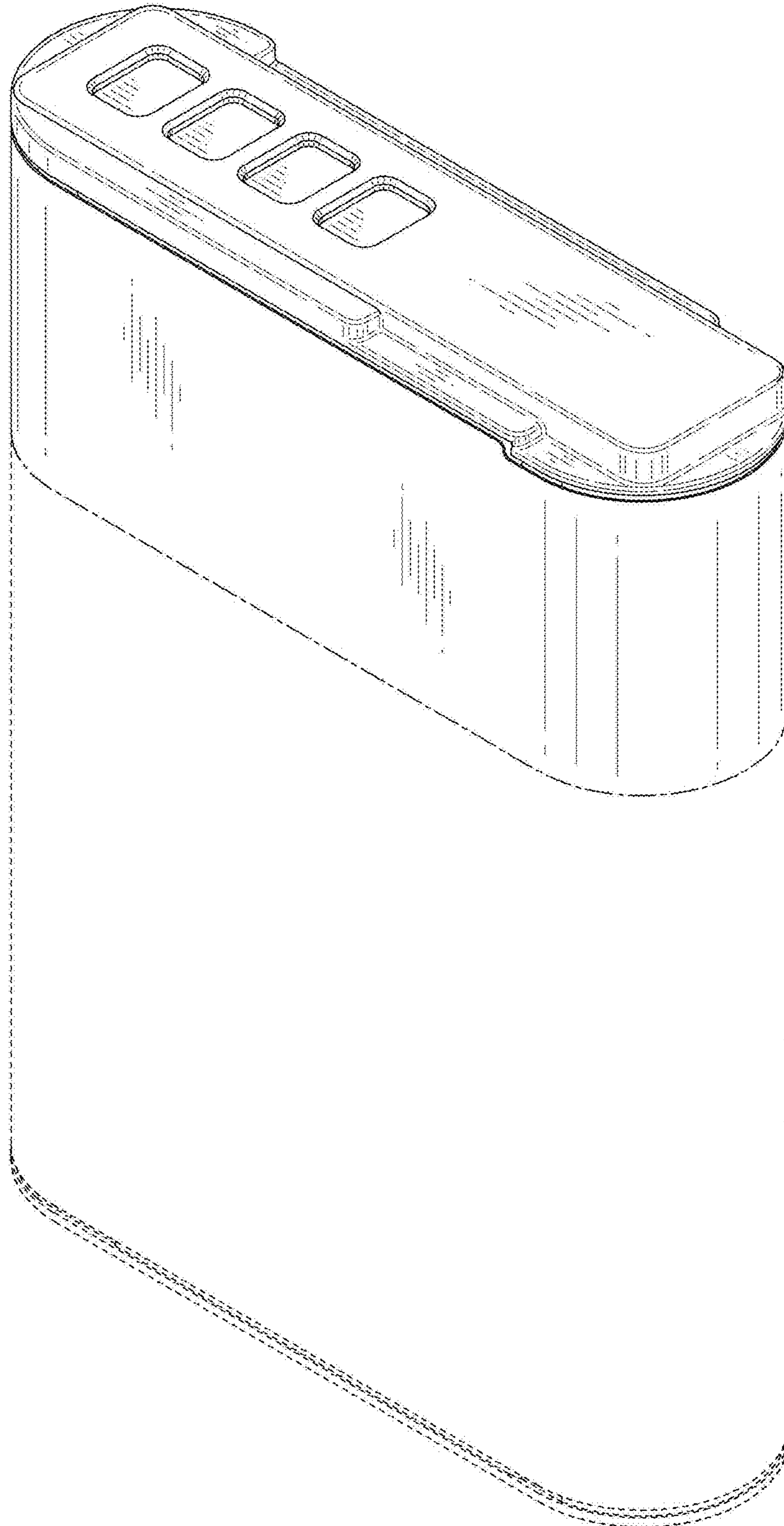


Fig.11

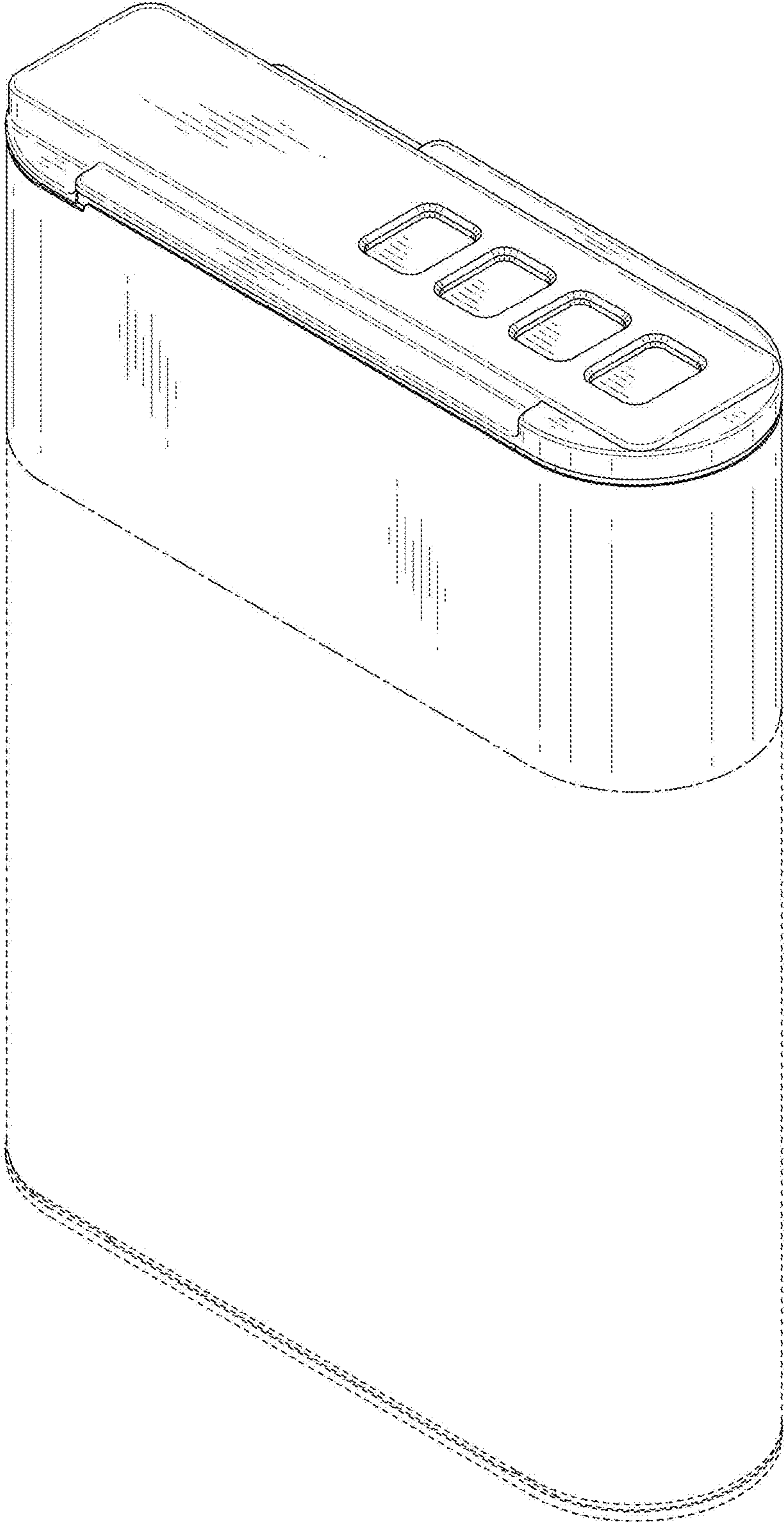


Fig.12

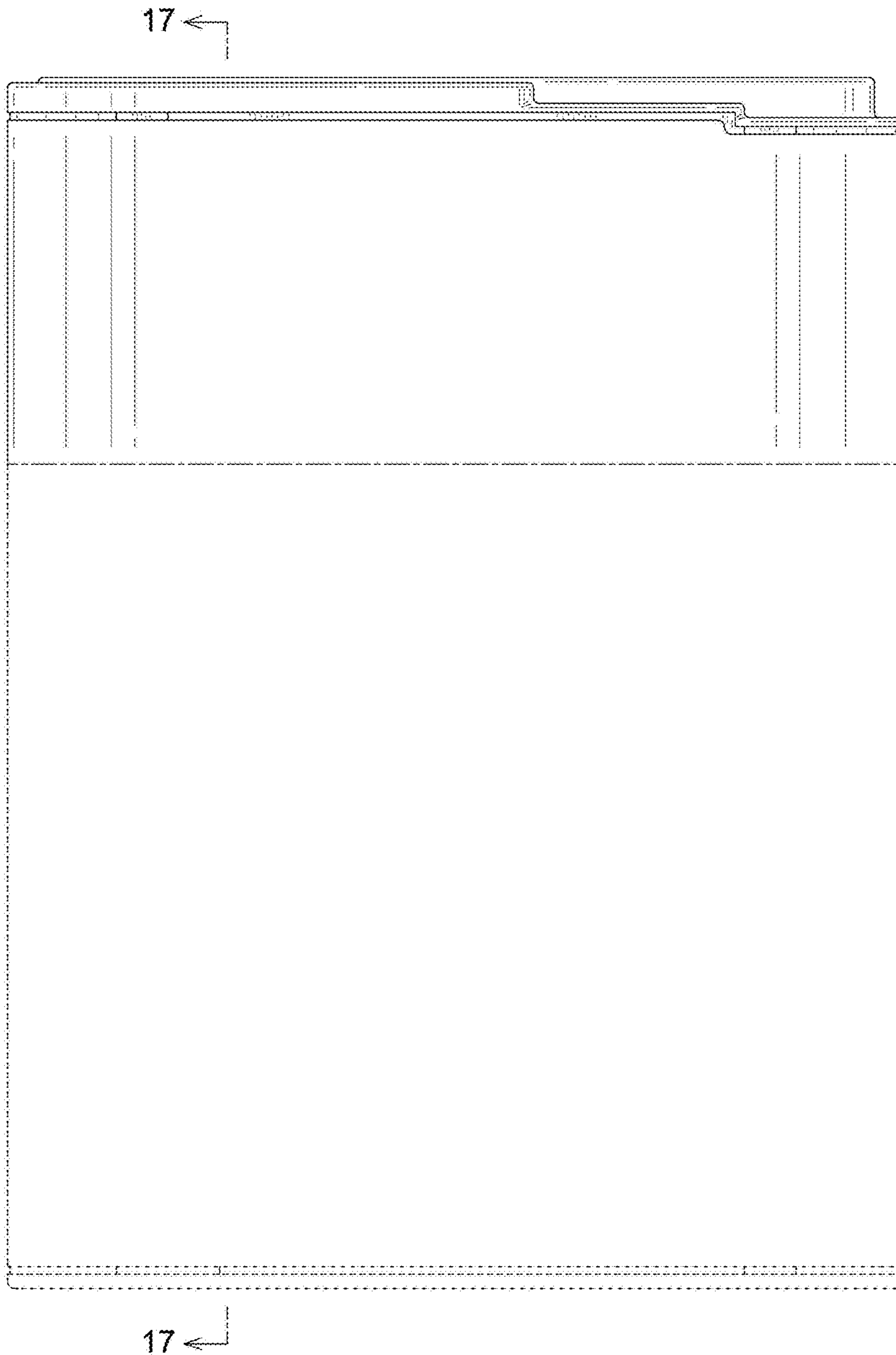


Fig.13

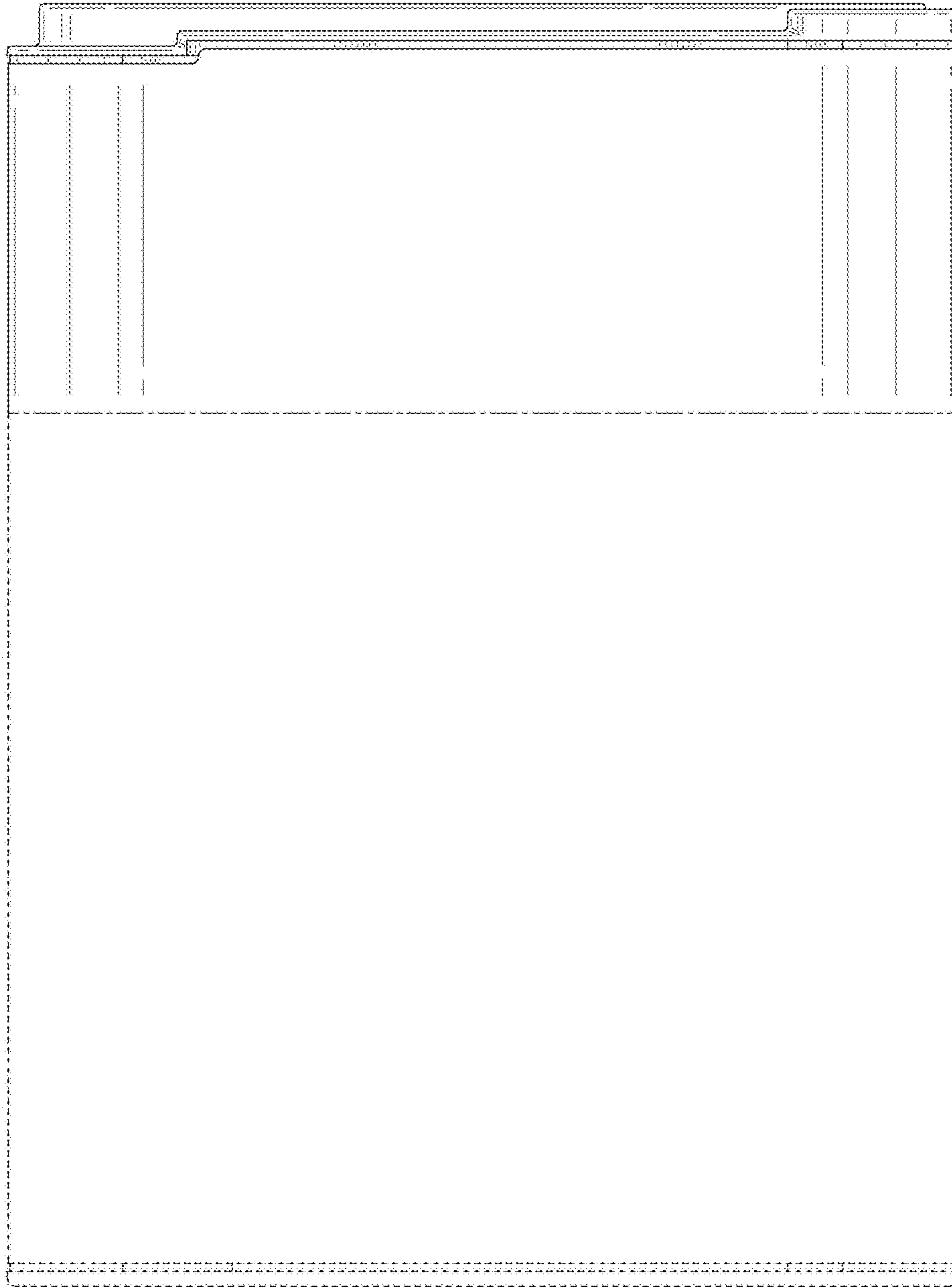


Fig.14

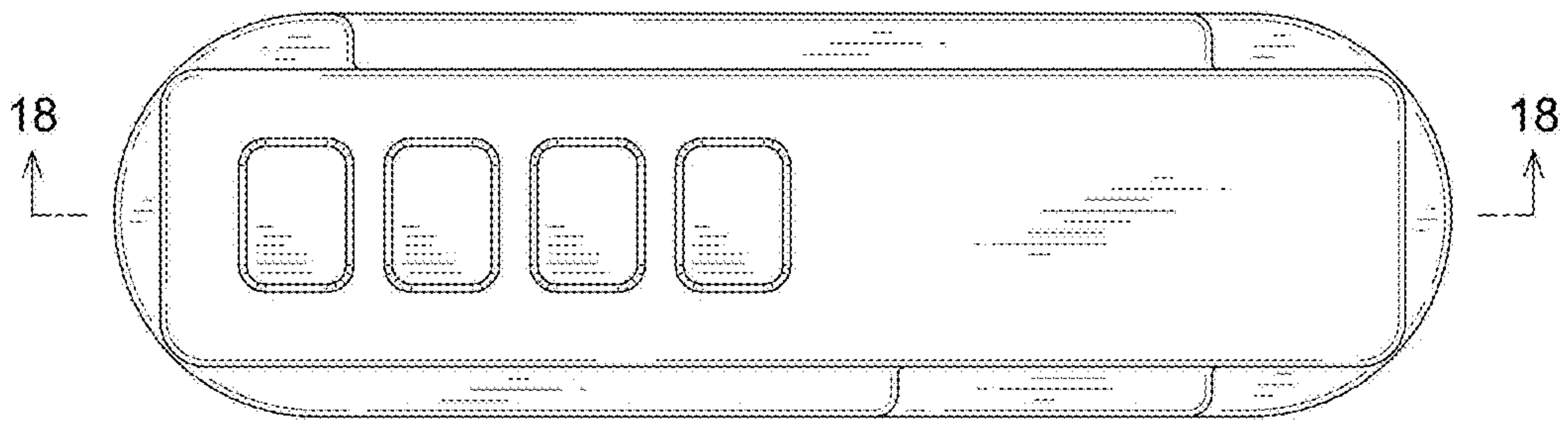


Fig.15

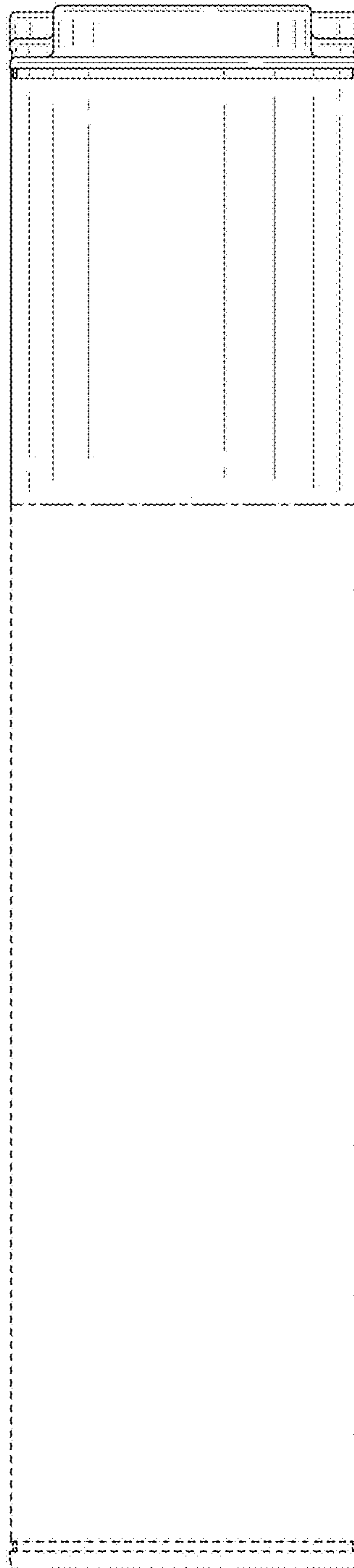


Fig.16

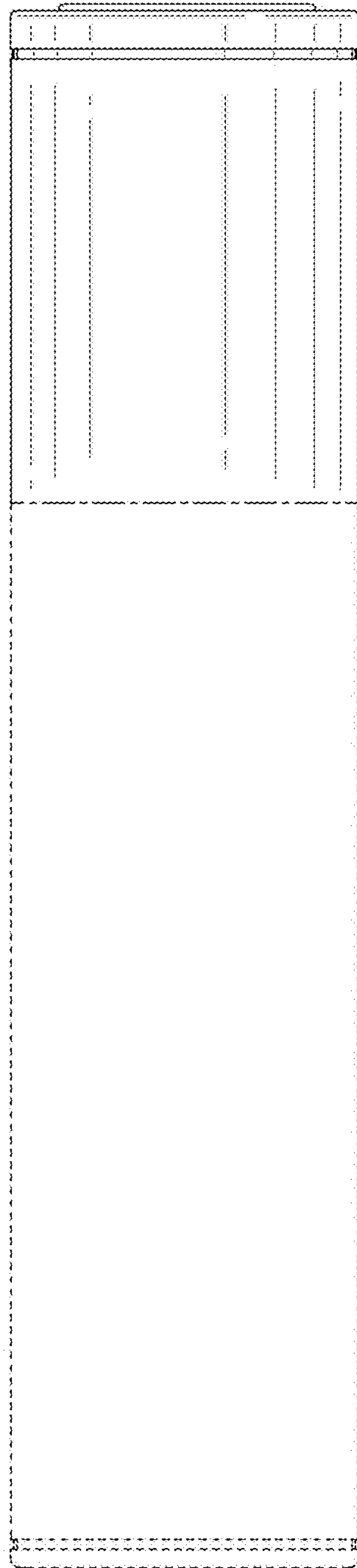


Fig.17

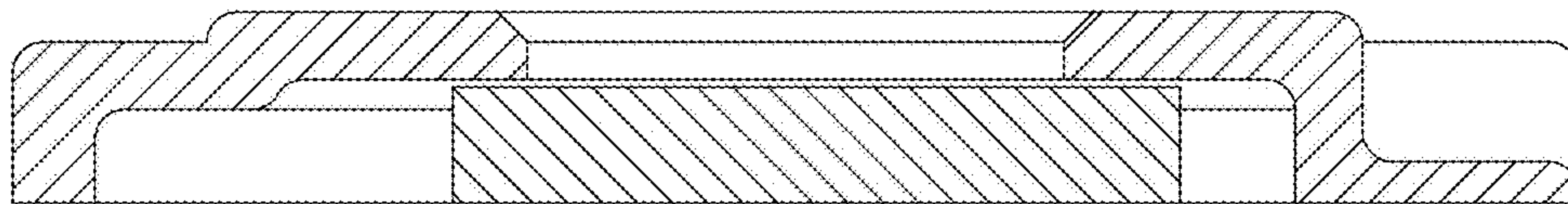


Fig.18

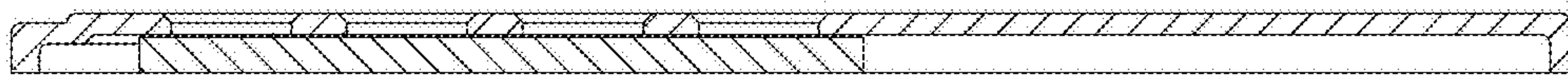


Fig. 19

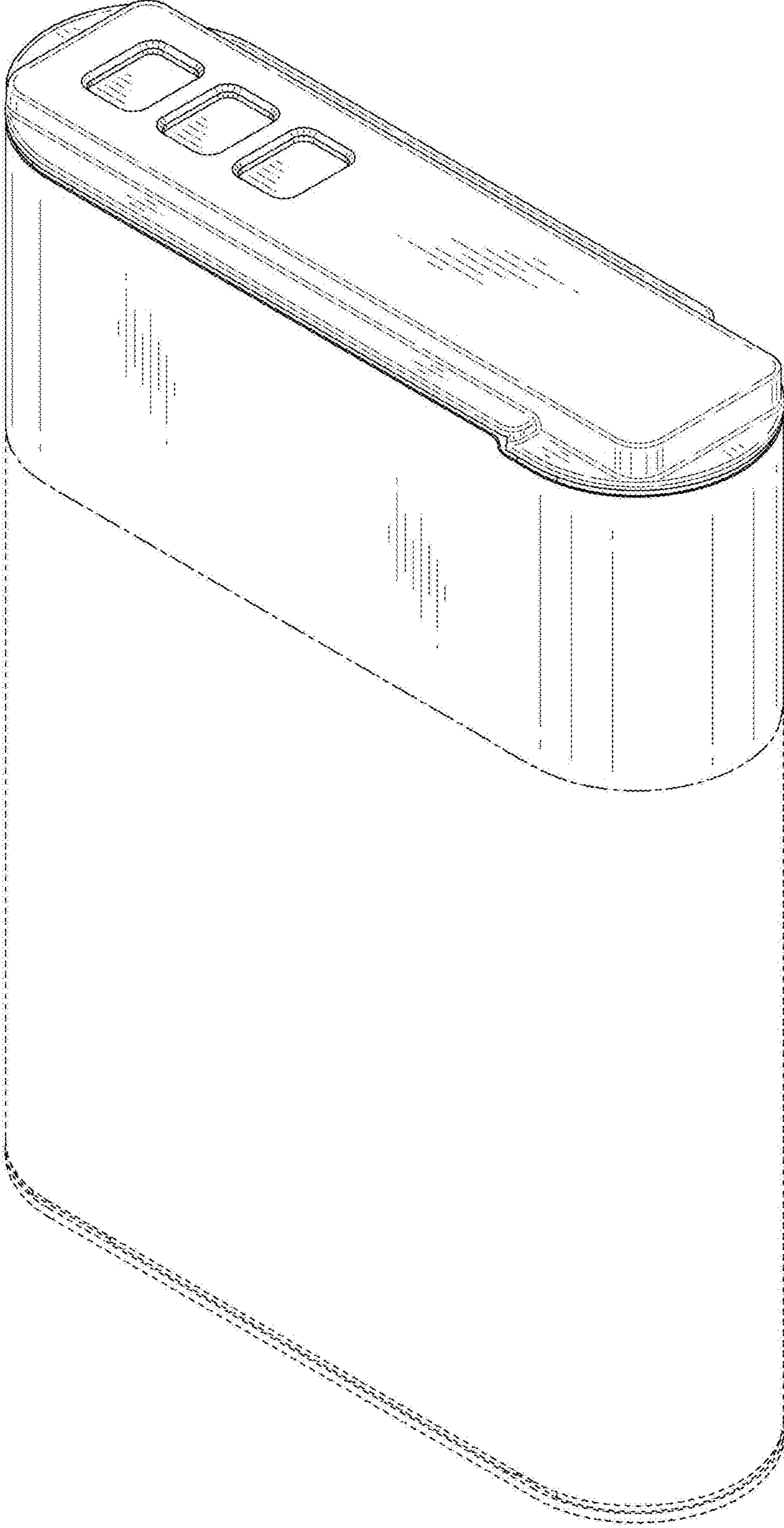


Fig.20

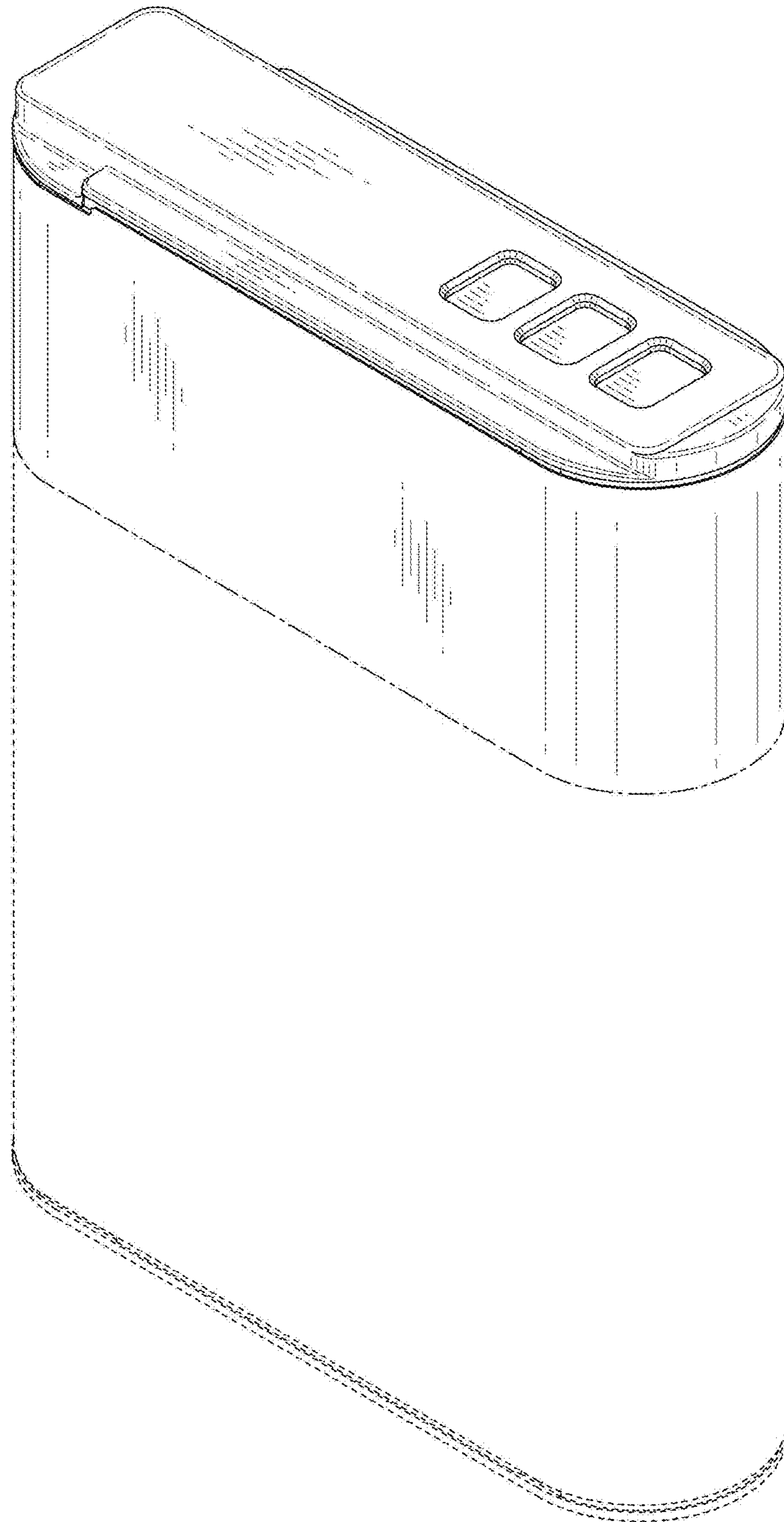


Fig.21

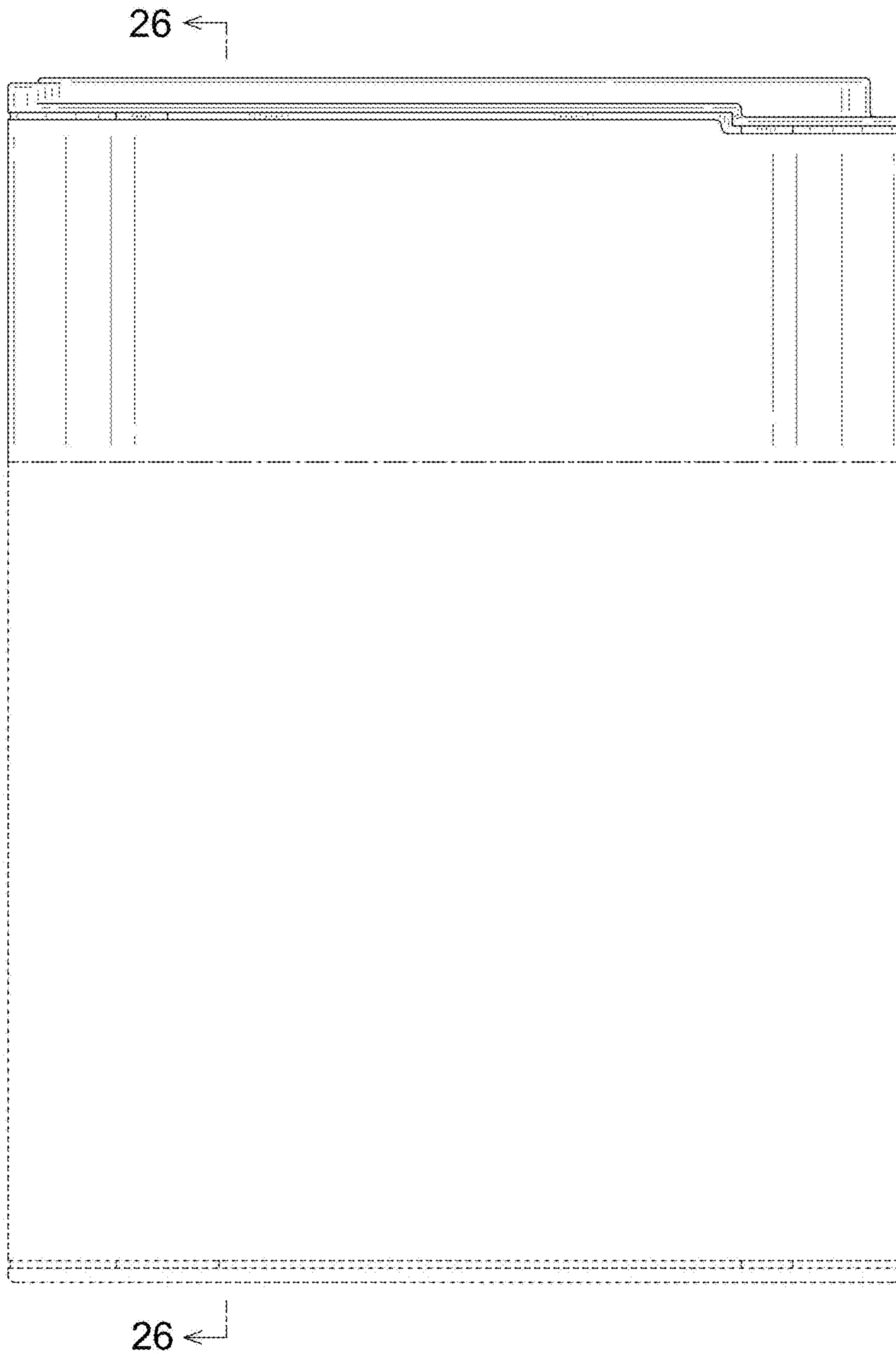


Fig.22

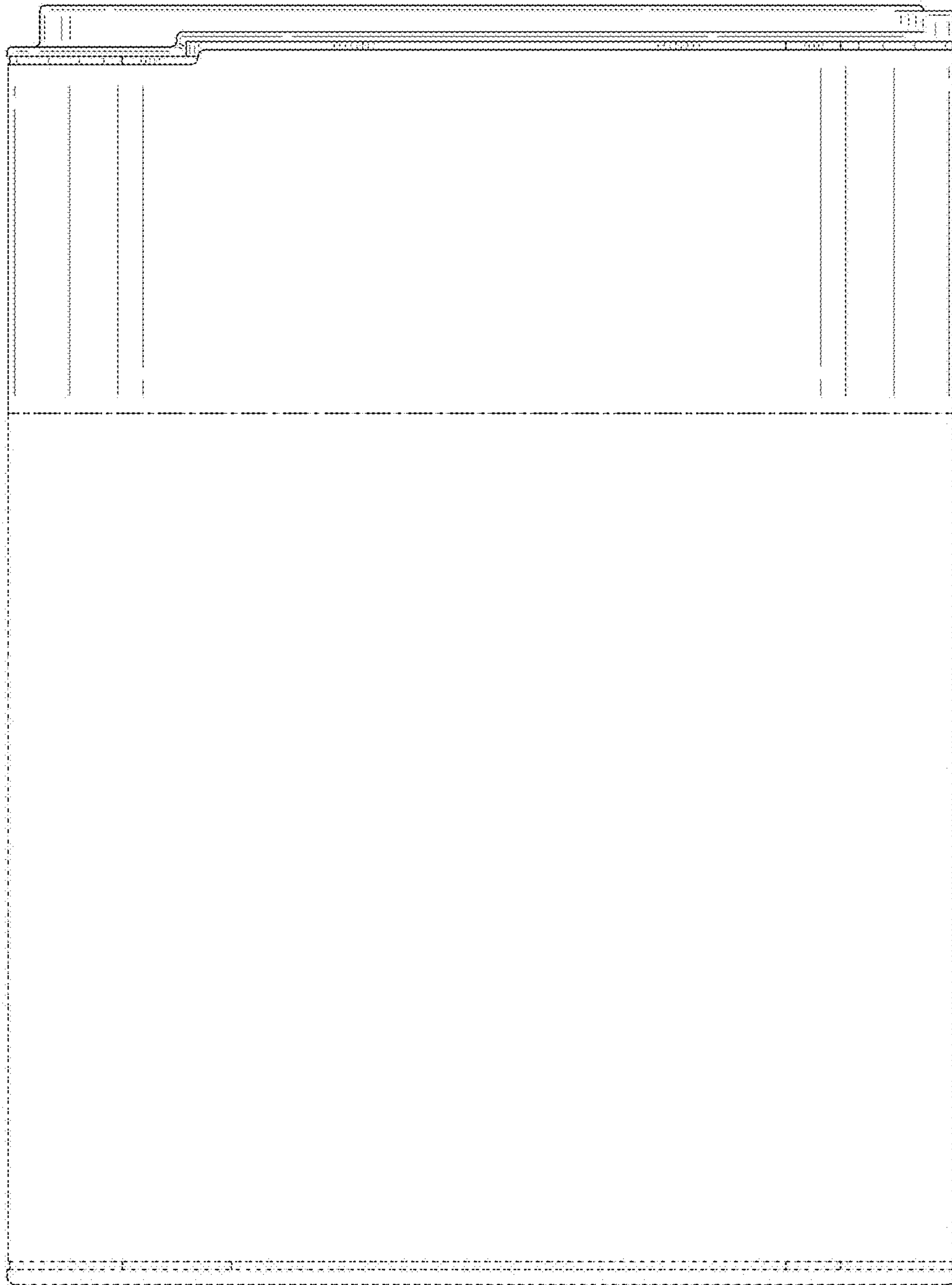


Fig.23

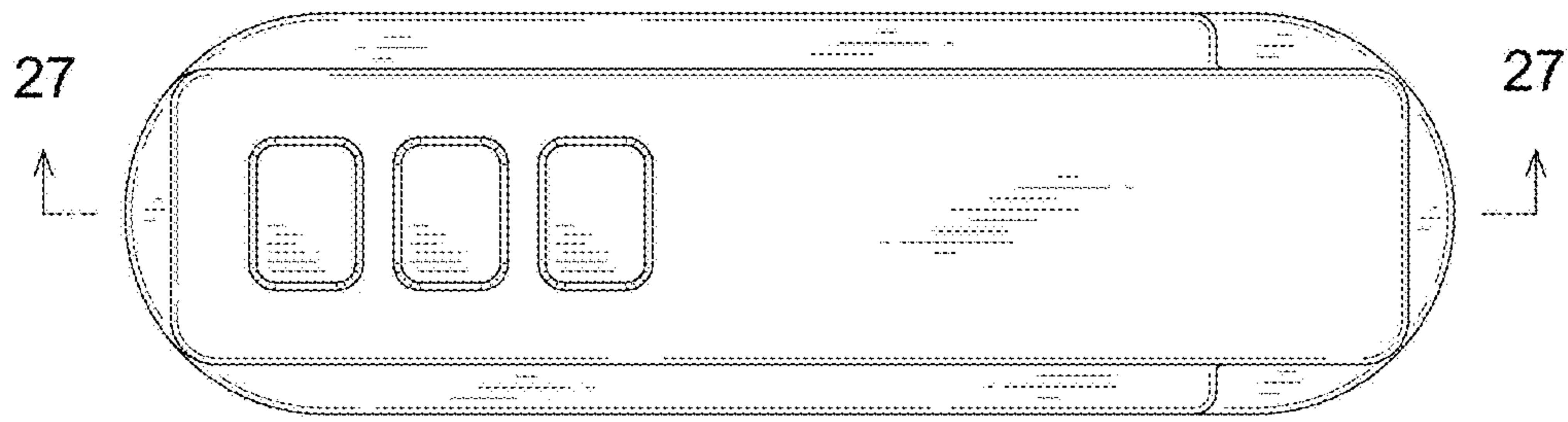


Fig.24

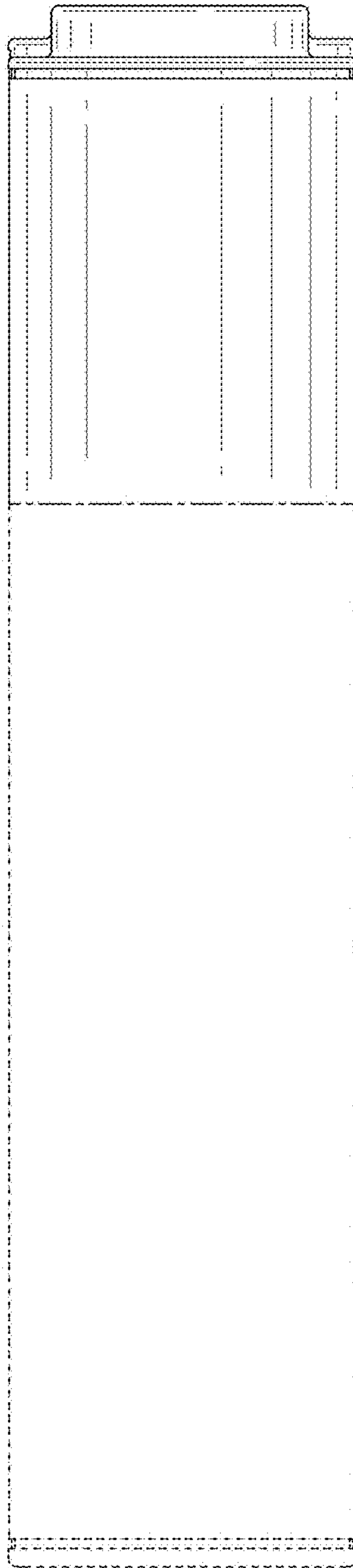


Fig.25

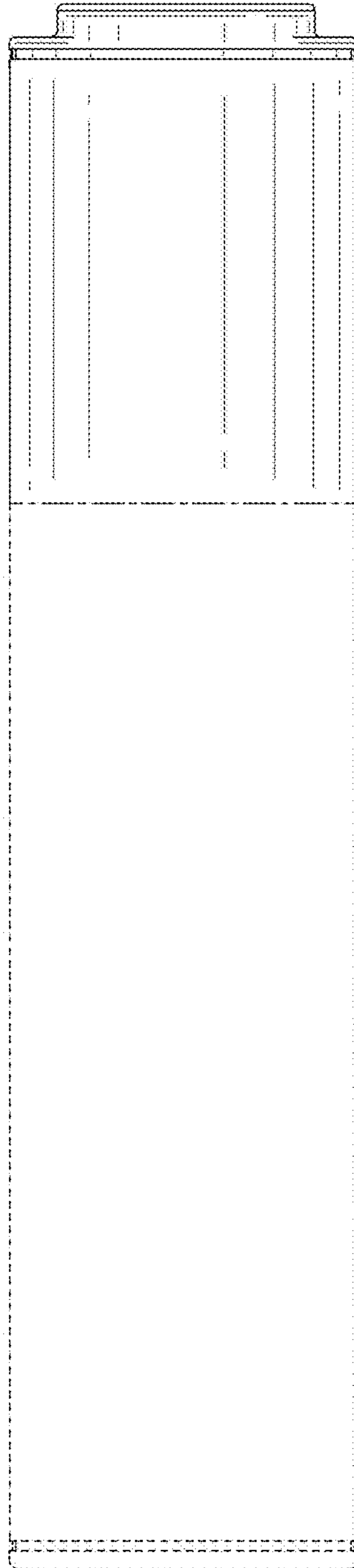


Fig.26

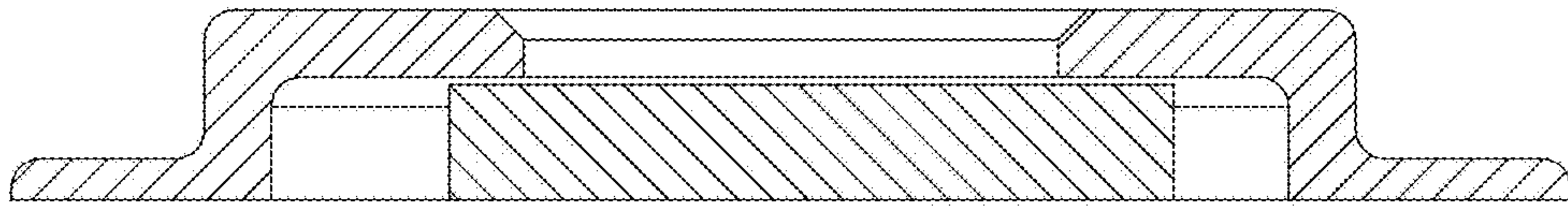


Fig.27

