



US00D799423S

(12) **United States Design Patent**  
**Eliyahu**

(10) **Patent No.:** **US D799,423 S**  
(45) **Date of Patent:** **\*\* Oct. 10, 2017**

- (54) **DESKTOP USB CHARGER**
- (71) Applicant: **Nexark, Inc.**, Los Angeles, CA (US)
- (72) Inventor: **Menachem Eliyahu**, Los Angeles, CA (US)
- (73) Assignee: **NEXARK, INC.**, Los Angeles, CA (US)
- (\*) Notice: Patent file contains an affidavit/declaration under 37 CFR 1.130(b).
- (\*\*) Term: **15 Years**
- (21) Appl. No.: **29/540,692**
- (22) Filed: **Sep. 25, 2015**
- (51) **LOC (10) Cl.** ..... **13-02**
- (52) **U.S. Cl.**  
USPC ..... **D13/108**
- (58) **Field of Classification Search**  
USPC ..... D13/102-110, 118, 119, 184; D14/251, D14/253, 432, 434  
CPC ..... Y02E 60/12; Y02T 90/14; Y02T 90/122; Y02T 90/128; Y02T 90/163; H02J 7/025; H02J 7/0042; H02J 7/0044; H02J 7/0045; H02J 7/0003; H01F 38/14; H01R 13/6675; H01M 2/1022; H01M 2/1055; H01M 10/44; H01M 10/46; H01M 10/425; B60L 11/182  
See application file for complete search history.

- 2009/0210609 A1\* 8/2009 Learmonth ..... G06F 13/385 710/316
- 2011/0241602 A1\* 10/2011 Chou ..... H02J 7/35 320/101
- 2013/0267116 A1\* 10/2013 Tin ..... H02J 1/00 439/535
- 2015/0035476 A1\* 2/2015 Frid ..... H02J 7/0021 320/107
- 2015/0171482 A1\* 6/2015 Lee ..... H01M 10/425 429/121
- 2016/0202743 A1\* 7/2016 Li ..... G06F 1/26 710/313

**OTHER PUBLICATIONS**

Sabrent 60 Watt (12 Amp) 10-Port Family-Sized Desktop USB Rapid Charger, Amazon.com, review posted on amazon.com on Oct. 30, 2014, retrieved on Jan. 13, 2016. Retrieved from the Internet: <URL: <https://www.amazon.com/Sabrent-Family-Sized-Charger-Technology-AX-TPCS/dp/B00OJ79UK6>.\*

\* cited by examiner

*Primary Examiner* — Rosemary K Tarcza  
*Assistant Examiner* — Alison Ofstun  
(74) *Attorney, Agent, or Firm* — Leason Ellis LLP

(57) **CLAIM**

I claim the ornamental design for a desktop USB charger, as shown and described.

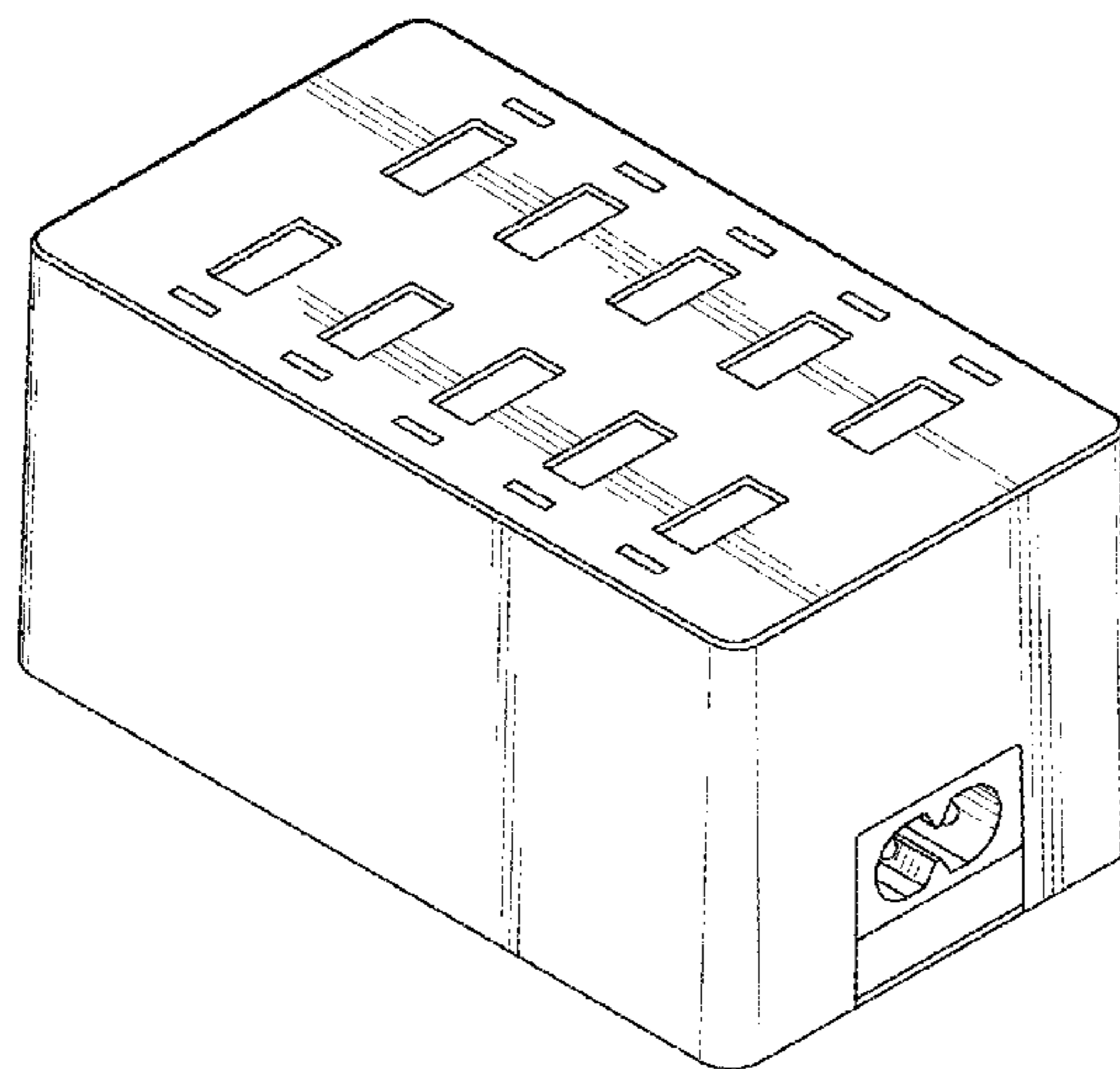
**DESCRIPTION**

FIG. 1 is a top, front right-side perspective of my new design for a desktop USB charger, FIG. 2 is a left-side elevation thereof, FIG. 3 is a right-side elevation thereof, FIG. 4 is a front elevation thereof, FIG. 5 is a rear elevation thereof, FIG. 6 is a top plan view thereof; and, FIG. 7 is a bottom plan view thereof.

**1 Claim, 3 Drawing Sheets**

(56) **References Cited**  
U.S. PATENT DOCUMENTS

- D592,130 S \* 5/2009 Tatehata ..... D13/103
- D660,229 S \* 5/2012 Tseng ..... D13/110
- D715,734 S \* 10/2014 Levy ..... D13/110
- 9,276,366 B1 \* 3/2016 Flores ..... H01R 24/66
- D755,717 S \* 5/2016 Riner ..... D13/108
- 9,350,182 B2 \* 5/2016 Han ..... H02J 7/0042
- D773,991 S \* 12/2016 Liu ..... D13/107



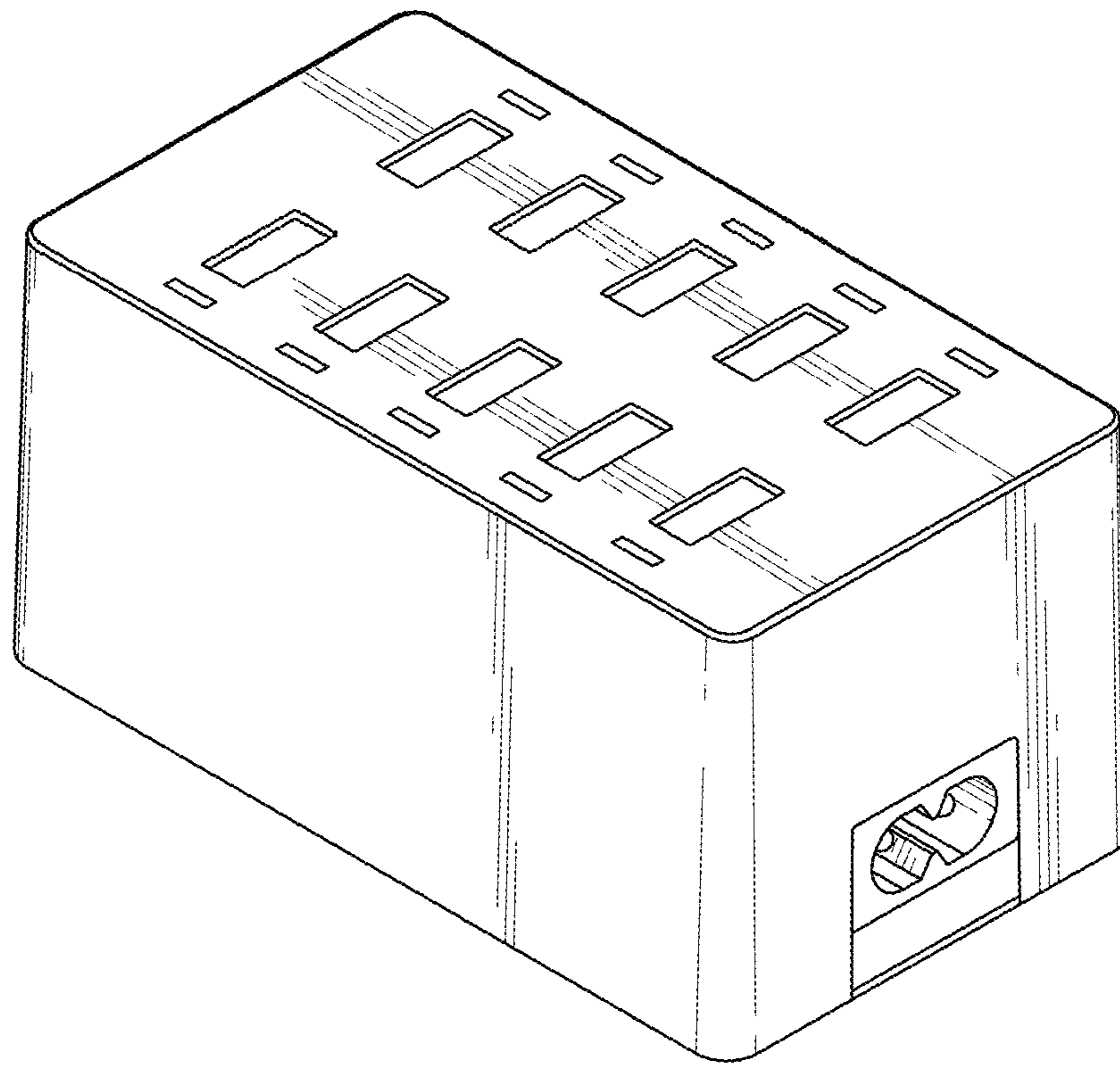


Fig. 1

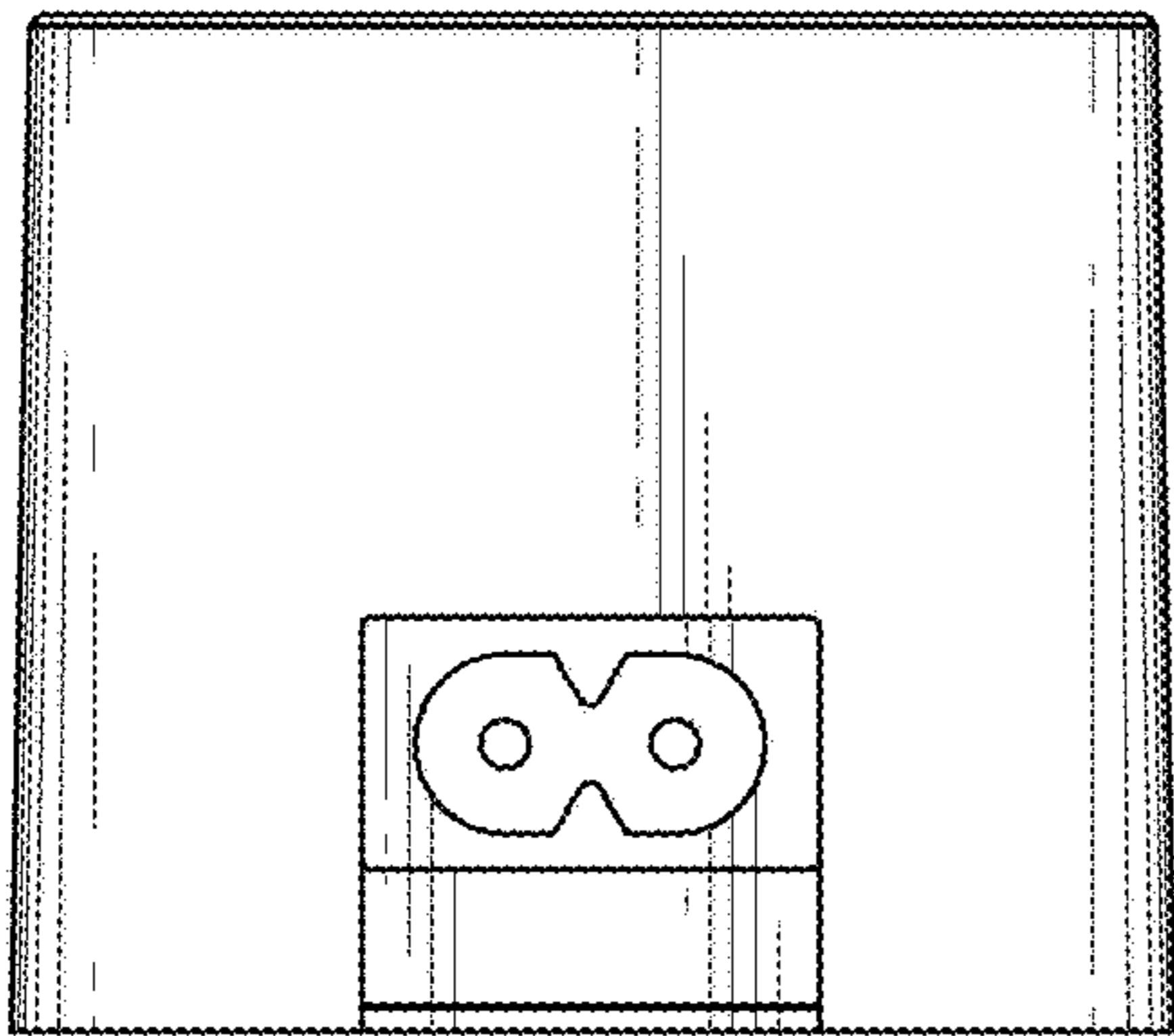


Fig. 3

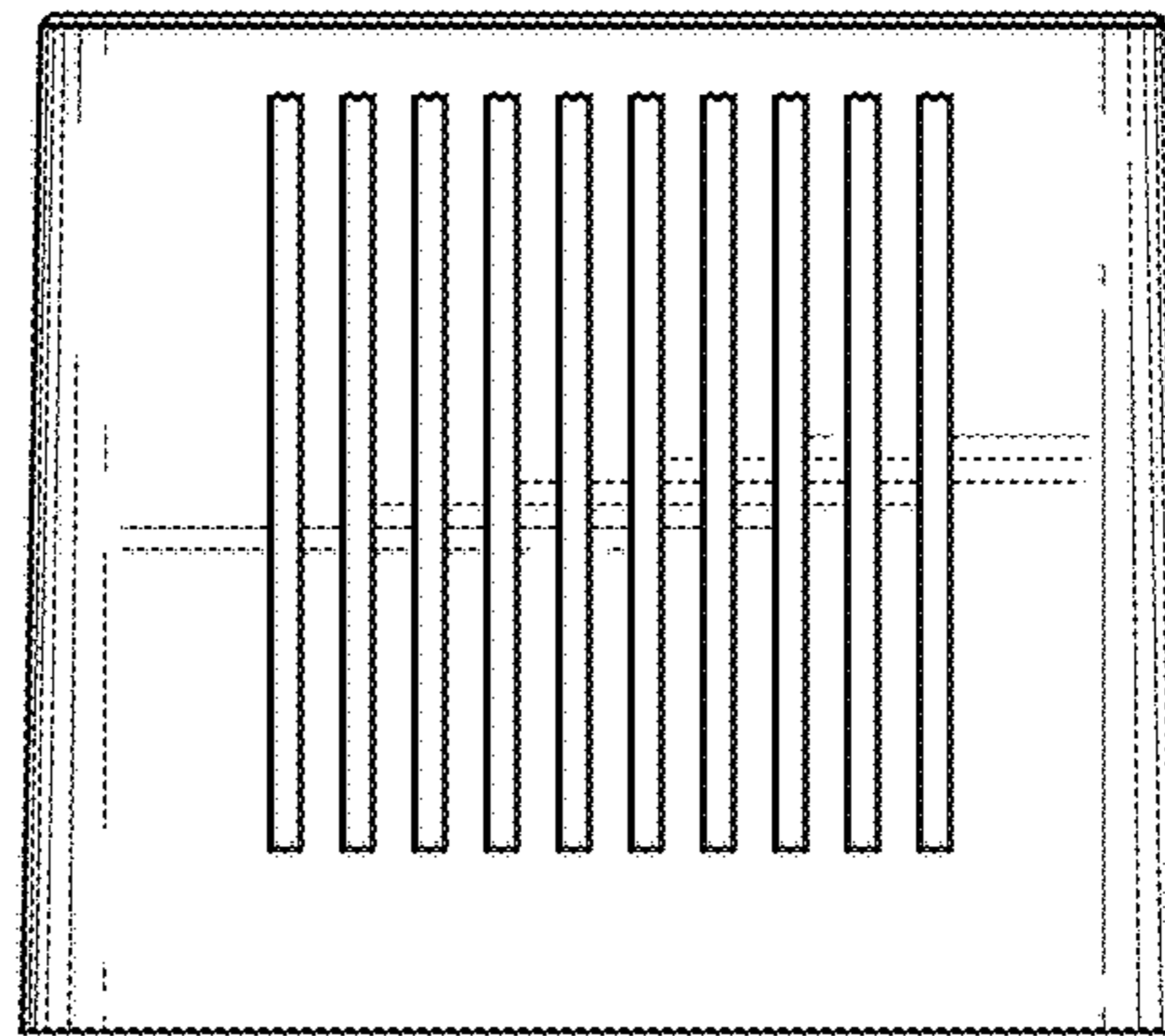


Fig. 2

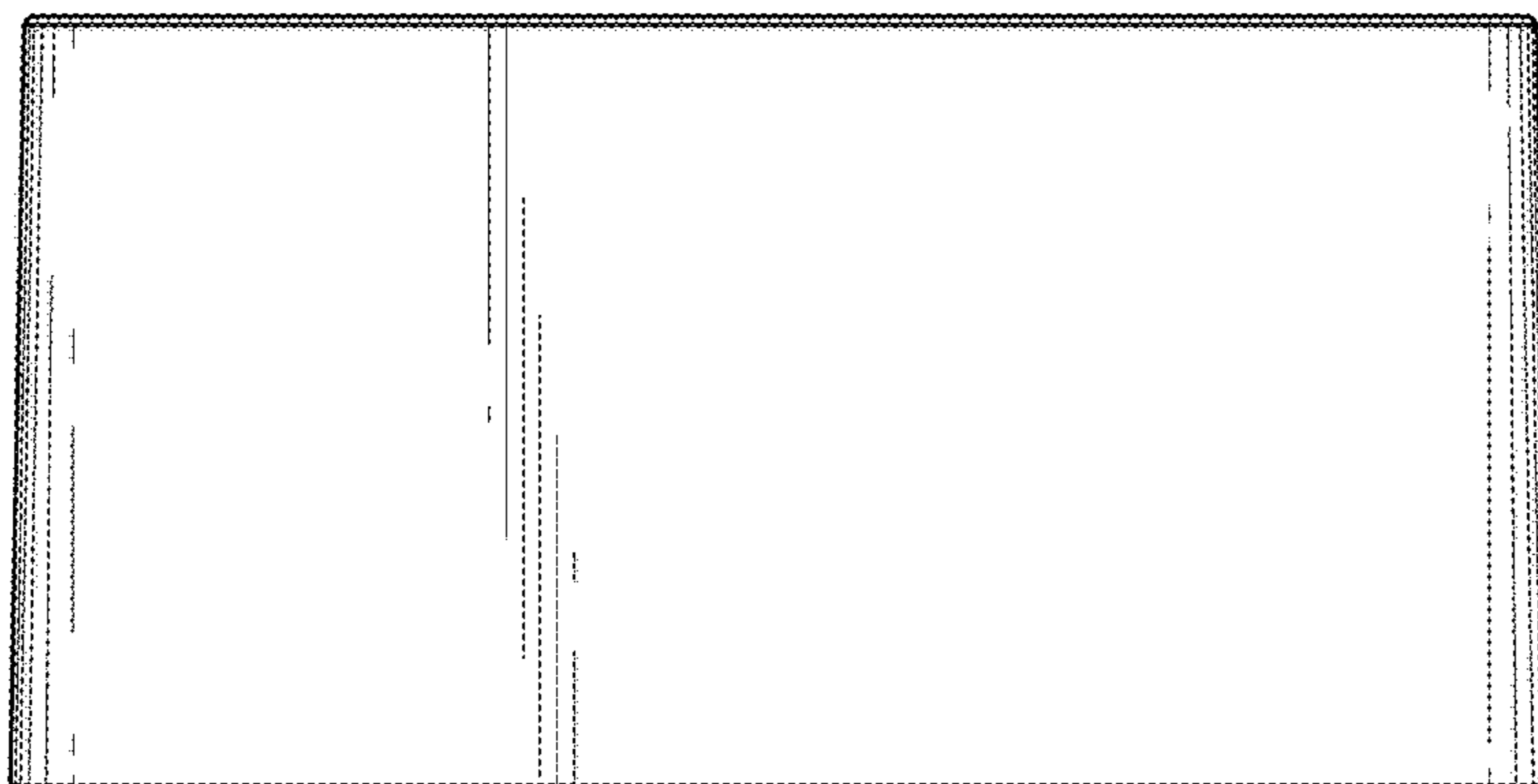


Fig. 4

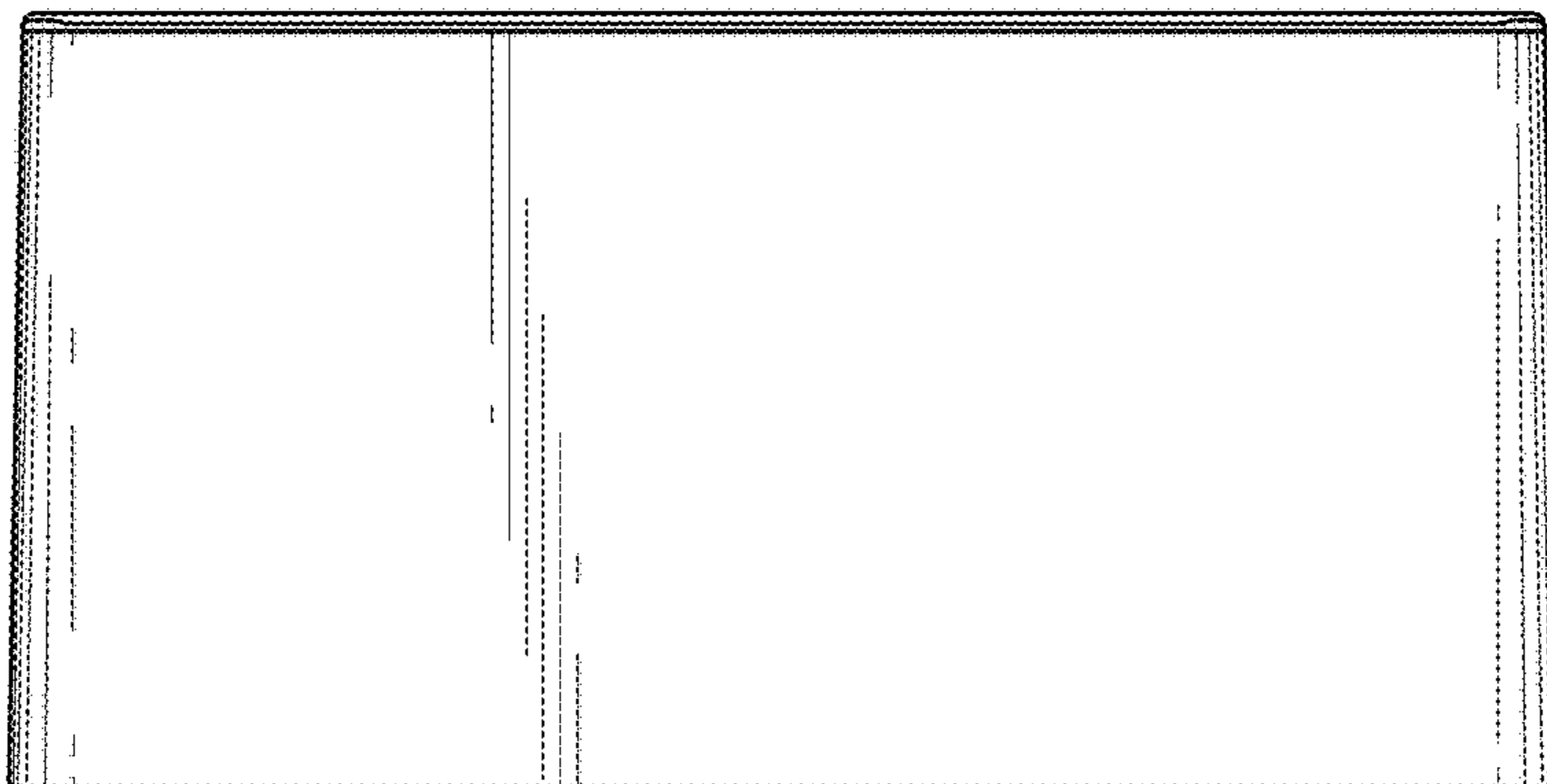


Fig. 5

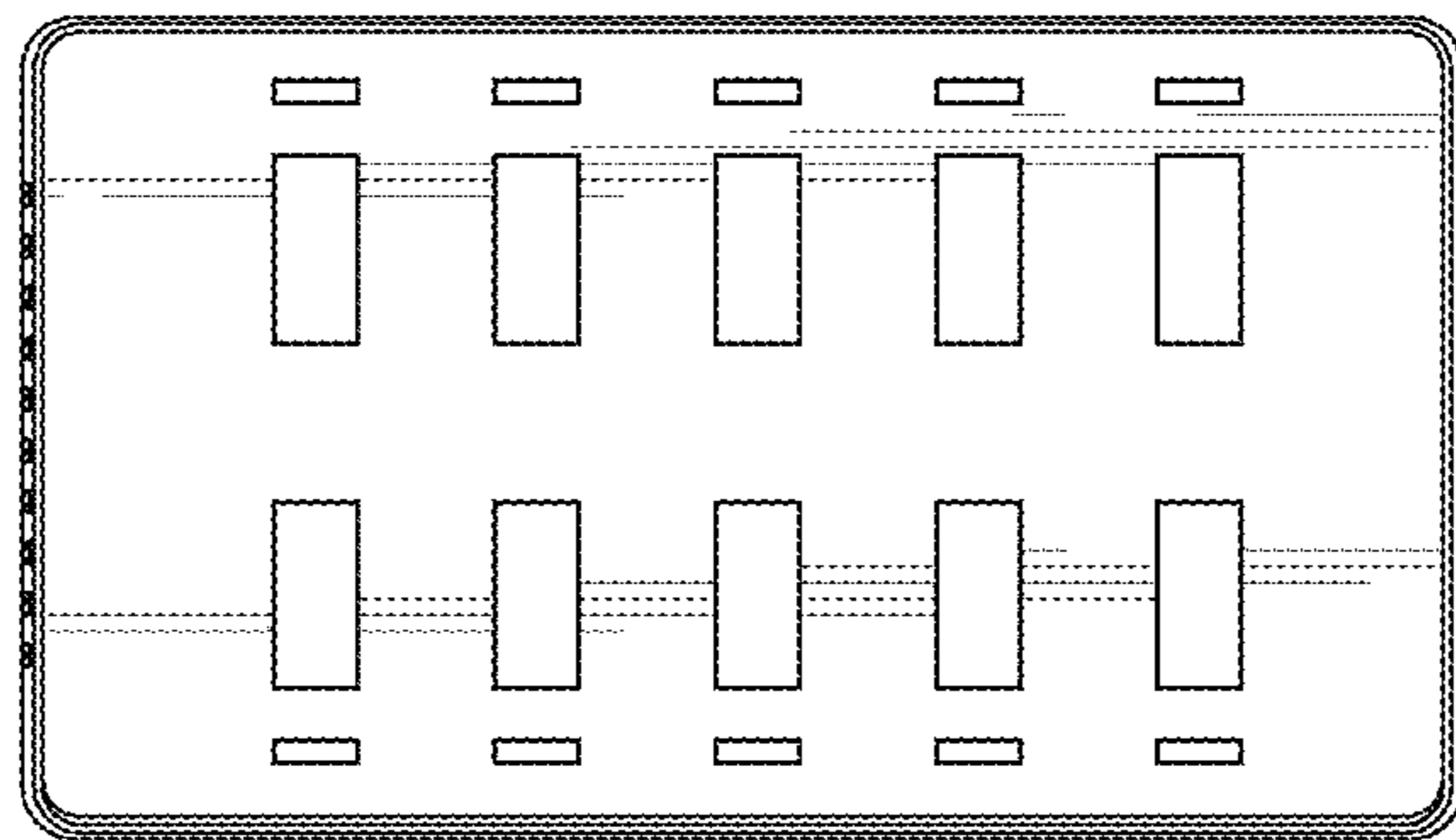


Fig. 6

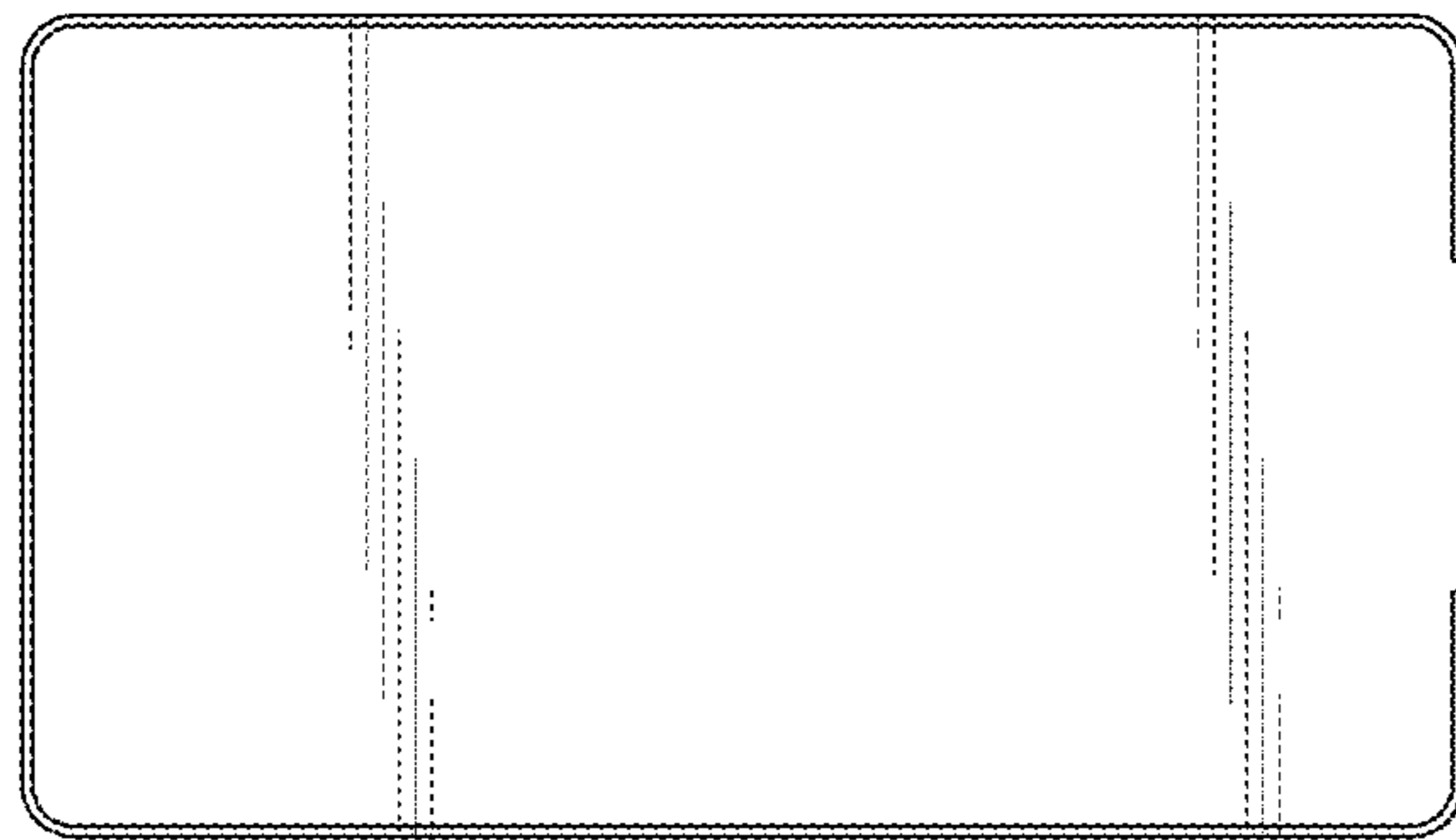


Fig. 7