

US00D799422S

(12) **United States Design Patent** (10) **Patent No.:** **US D799,422 S**  
**Chen** (45) **Date of Patent:** **\*\* Oct. 10, 2017**

(54) **WALL CHARGER**  
(71) Applicant: **Pengcheng Chen**, Zhejiang (CN)  
(72) Inventor: **Pengcheng Chen**, Zhejiang (CN)  
(73) Assignee: **Ningbo CStar Import & Export Co., Ltd.** (CN)  
(\*\*) Term: **14 Years**

D595,224 S \* 6/2009 Seil ..... D13/108  
D601,501 S \* 10/2009 Kaibara ..... D13/110  
D623,136 S \* 9/2010 Andre ..... D13/108  
8,113,855 B2 \* 2/2012 Green ..... H01R 13/44  
439/131  
D675,158 S \* 1/2013 Smith ..... D13/110  
8,410,752 B2 \* 4/2013 Sulem ..... H01R 24/28  
320/111  
D683,314 S \* 5/2013 Andre ..... D13/108  
2011/0009005 A1 \* 1/2011 Youssefi-Shams .... H01R 13/44  
439/628

(21) Appl. No.: **29/513,926**  
(22) Filed: **Jan. 6, 2015**  
(51) **LOC (10) Cl.** ..... **13-02**  
(52) **U.S. Cl.**  
USPC ..... **D13/108; D13/110**  
(58) **Field of Classification Search**  
USPC .... D13/110, 103, 107, 108, 118, 119, 138.1,  
D13/138.2, 139.1, 139.2, 184, 199;  
D14/253, 432, 433, 434; 320/107-115;  
439/103, 104, 105, 131, 172  
CPC ..... H01R 27/00; H01R 29/00; H01R 31/065;  
H01R 31/06; H01R 13/652; H01R  
13/6675; H01R 13/44; H01R 13/71;  
H01R 13/514; H01R 13/639; H01R  
13/6658; H01R 24/28; H02J 7/0042;  
H02J 7/0044; Y02E 60/12  
See application file for complete search history.

(56) **References Cited**  
U.S. PATENT DOCUMENTS

D308,044 S \* 5/1990 Chandler ..... D13/110  
D587,192 S \* 2/2009 McGinley ..... D13/110

**OTHER PUBLICATIONS**

China Power Banks: www.cnpowerbanks.com, oval single USB port wall charger, 2014.\*

\* cited by examiner

*Primary Examiner* — Derrick Holland

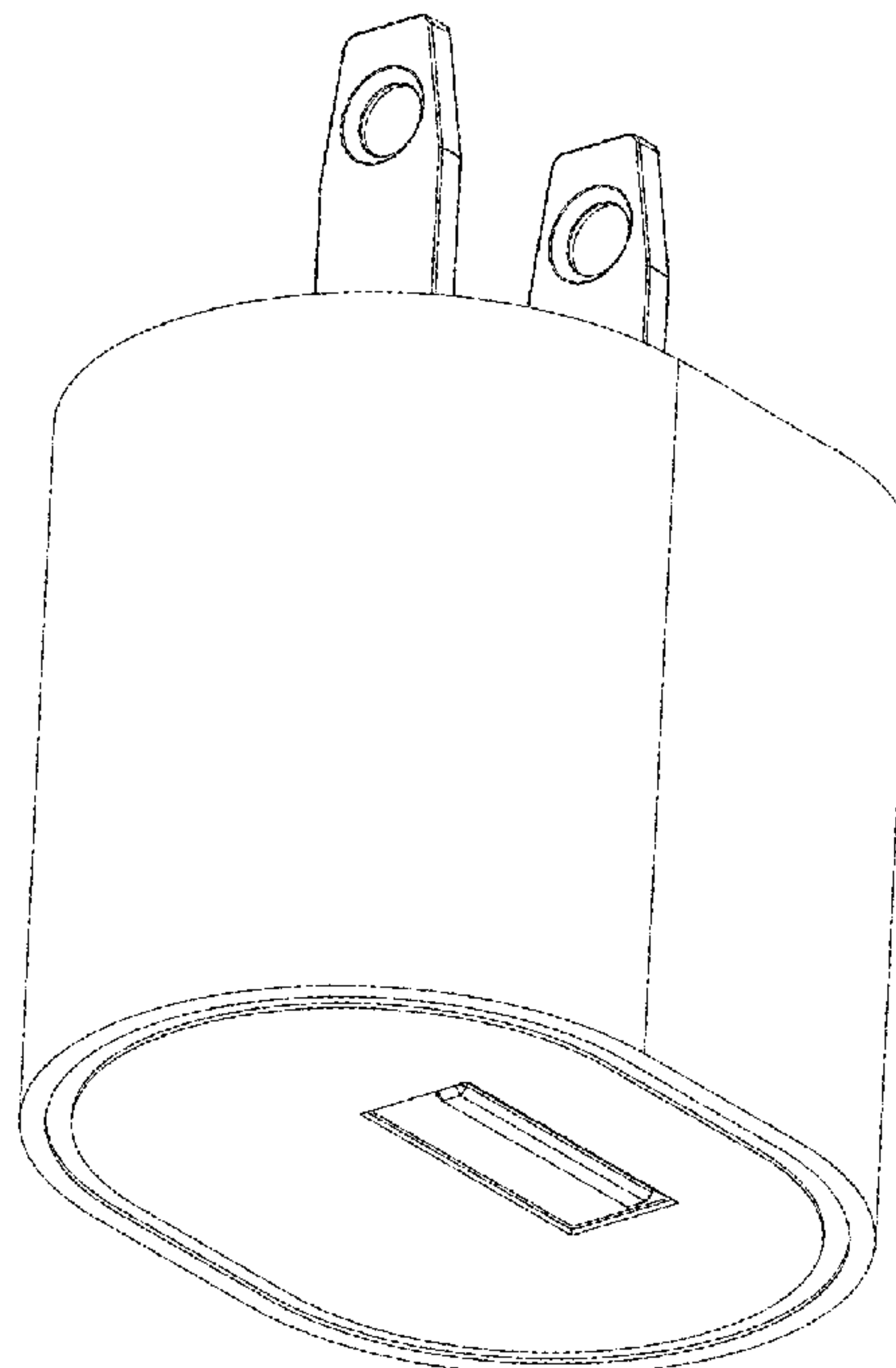
(57) **CLAIM**

The ornamental design for a wall charger, as shown and described.

**DESCRIPTION**

FIG. 1 is a perspective view of a wall charger showing my new design;  
FIG. 2 is another perspective view thereof;  
FIG. 3 is another perspective view thereof;  
FIG. 4 is a front view thereof;  
FIG. 5 is a back view thereof;  
FIG. 6 is a left view thereof;  
FIG. 7 is a right view thereof;  
FIG. 8 is a top view thereof; and,  
FIG. 9 is a bottom view thereof.

**1 Claim, 9 Drawing Sheets**



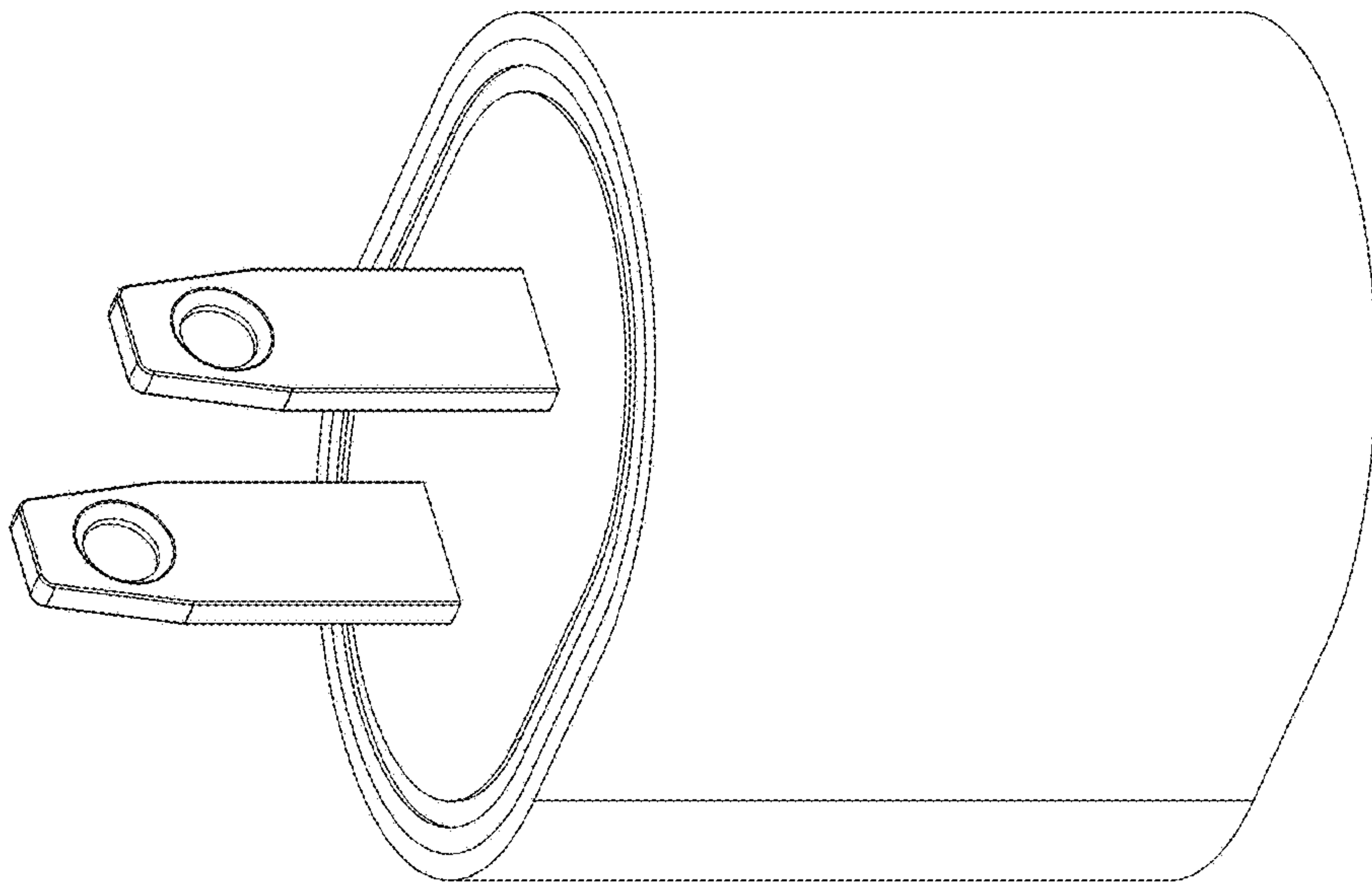


Fig. 1

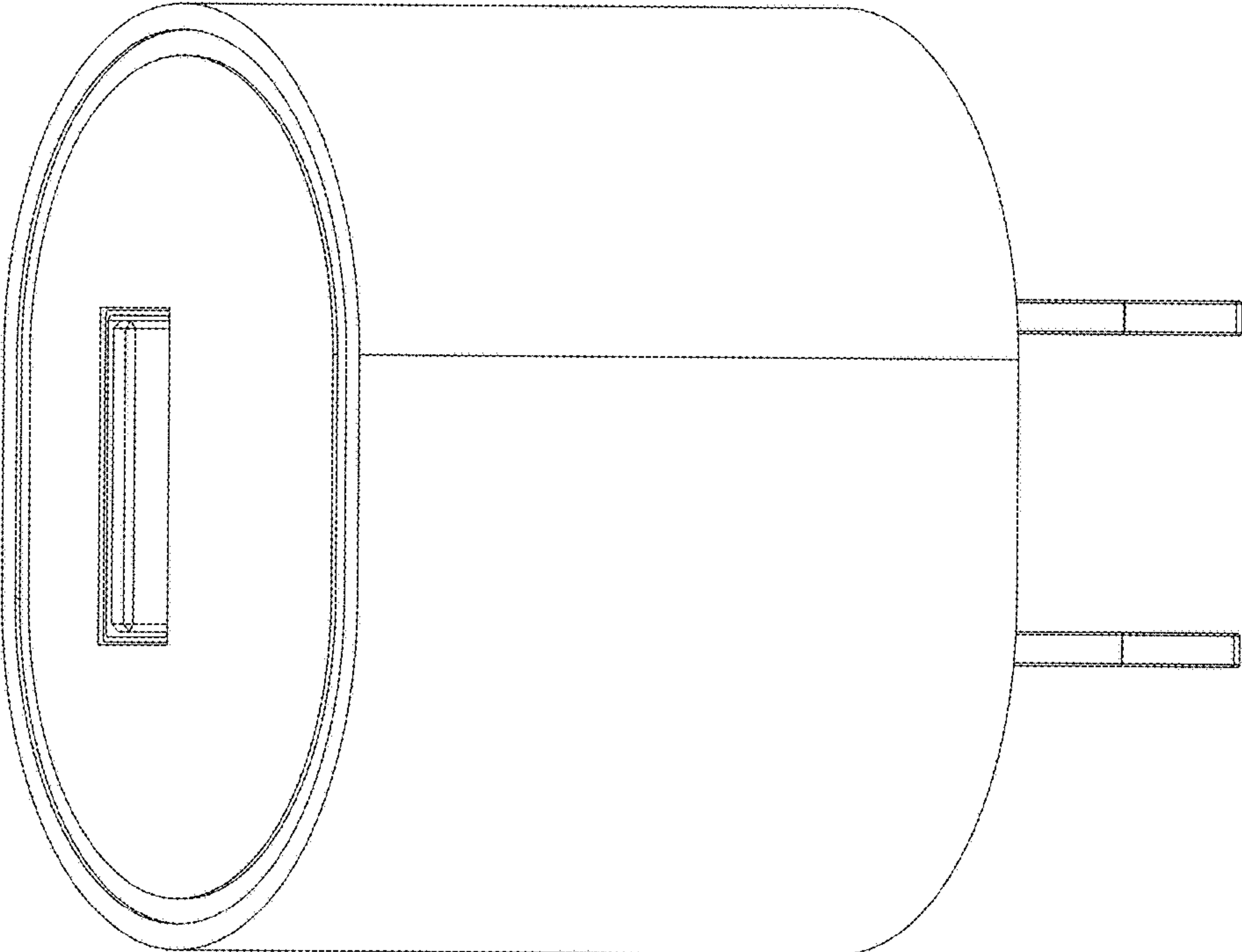


Fig. 2

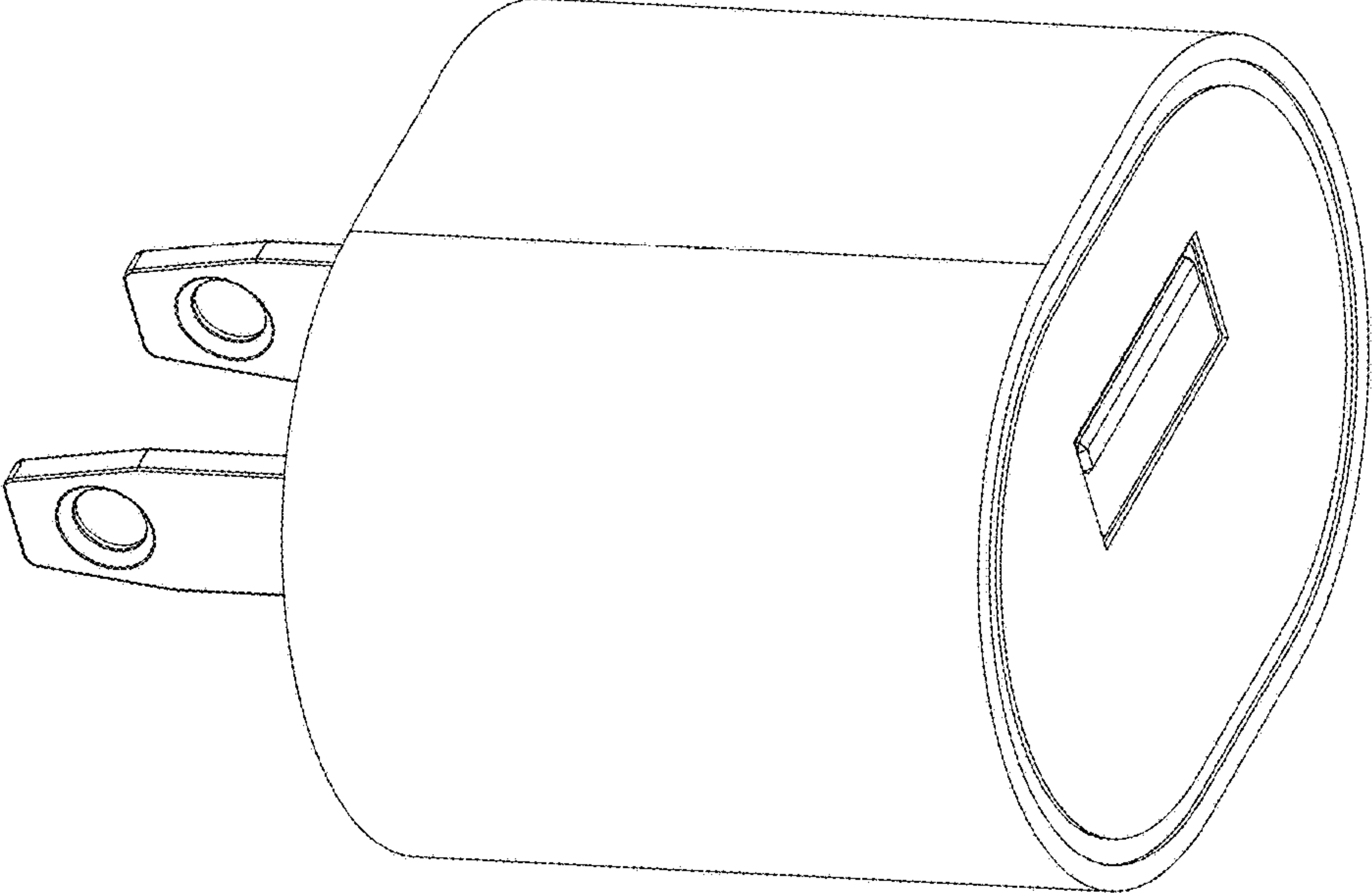


Fig. 3

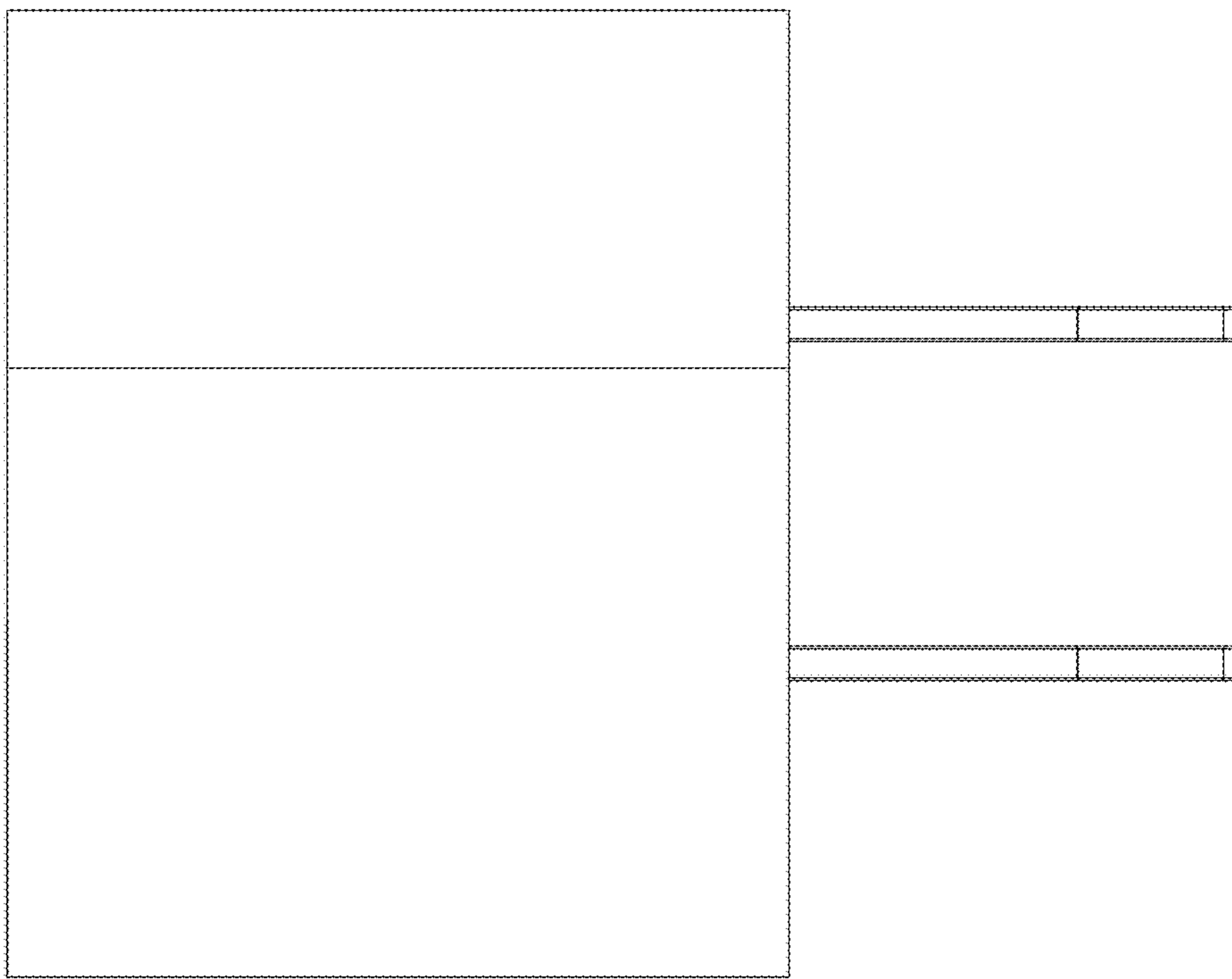


Fig. 4

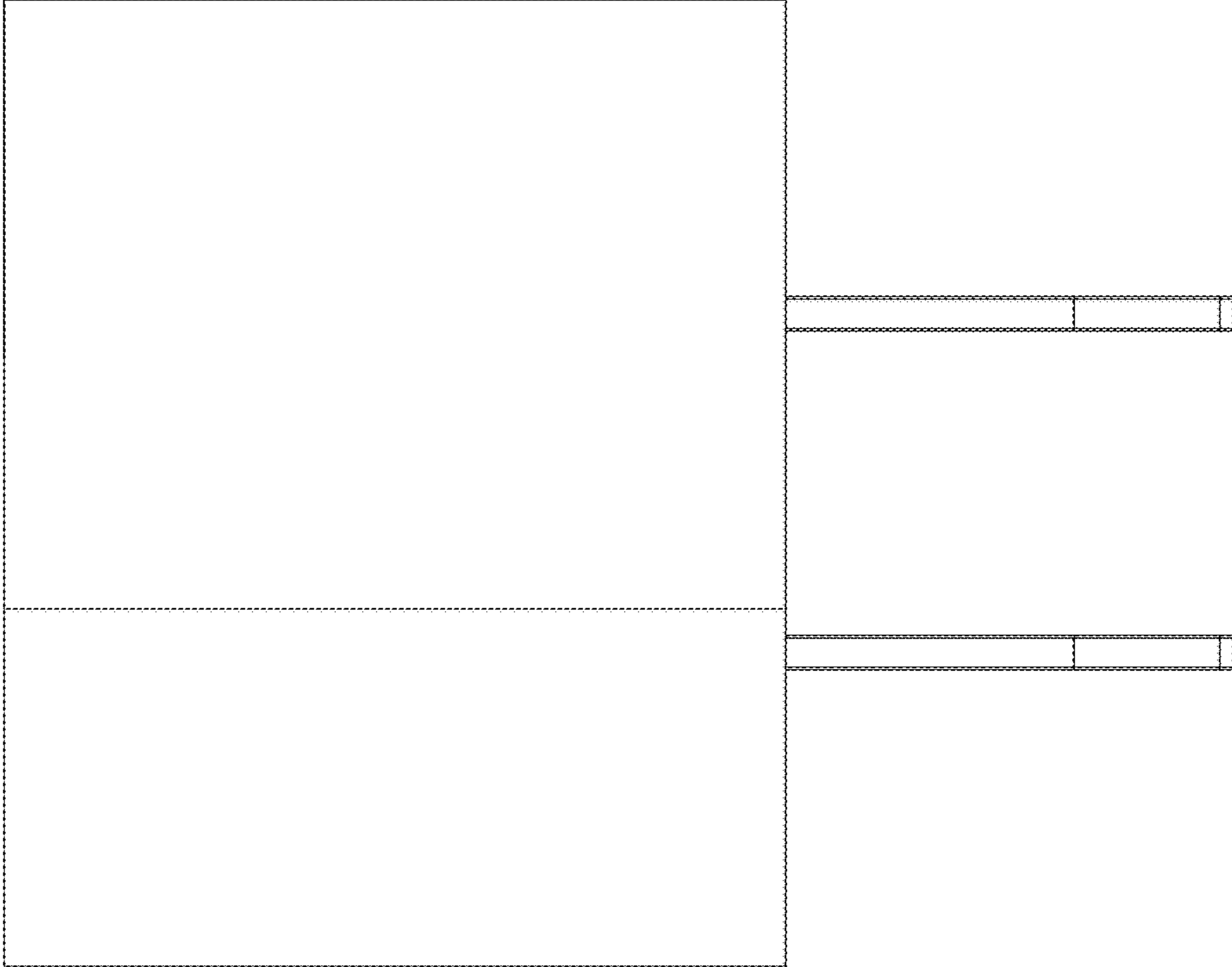


Fig. 5

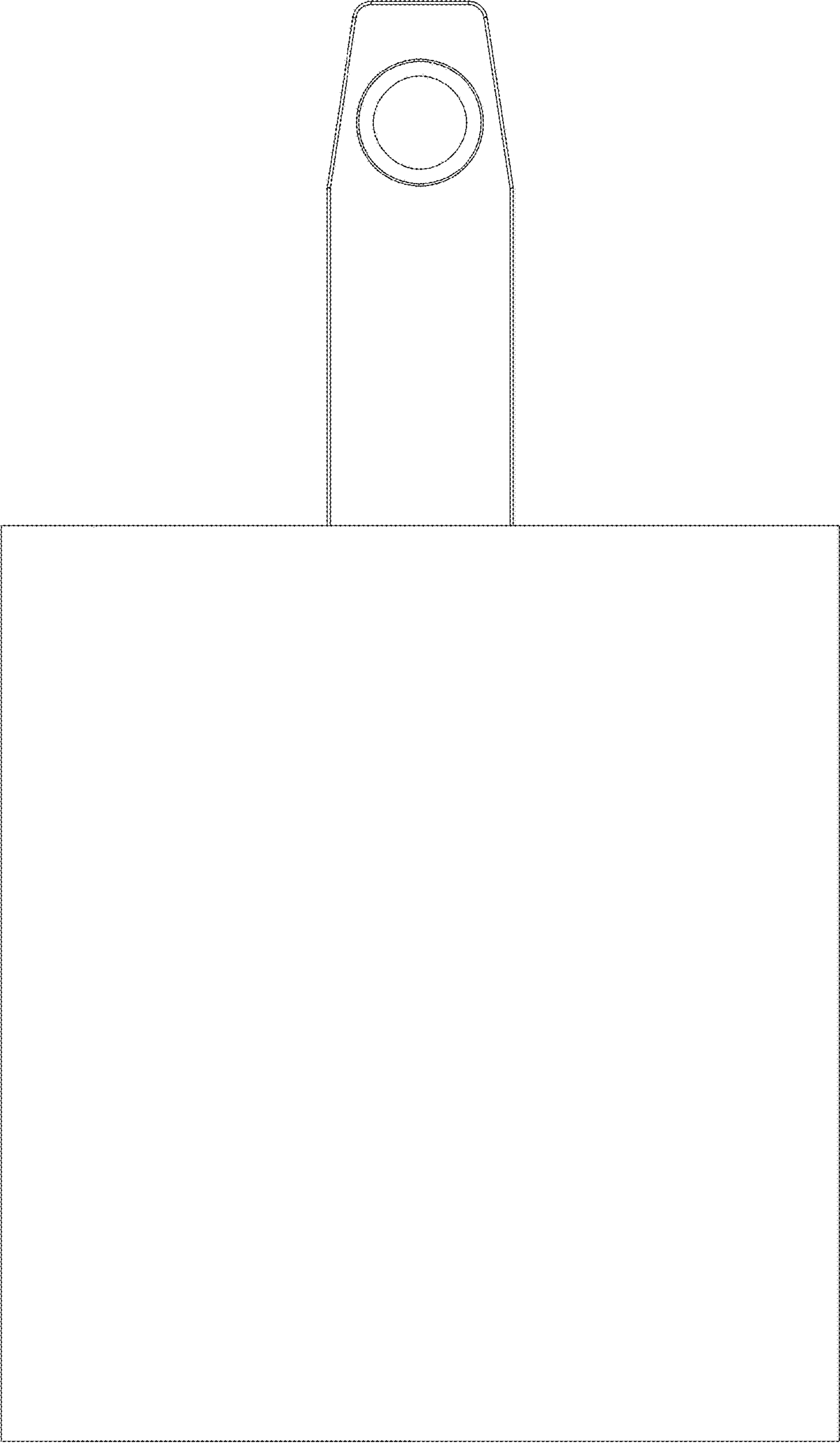


Fig. 6

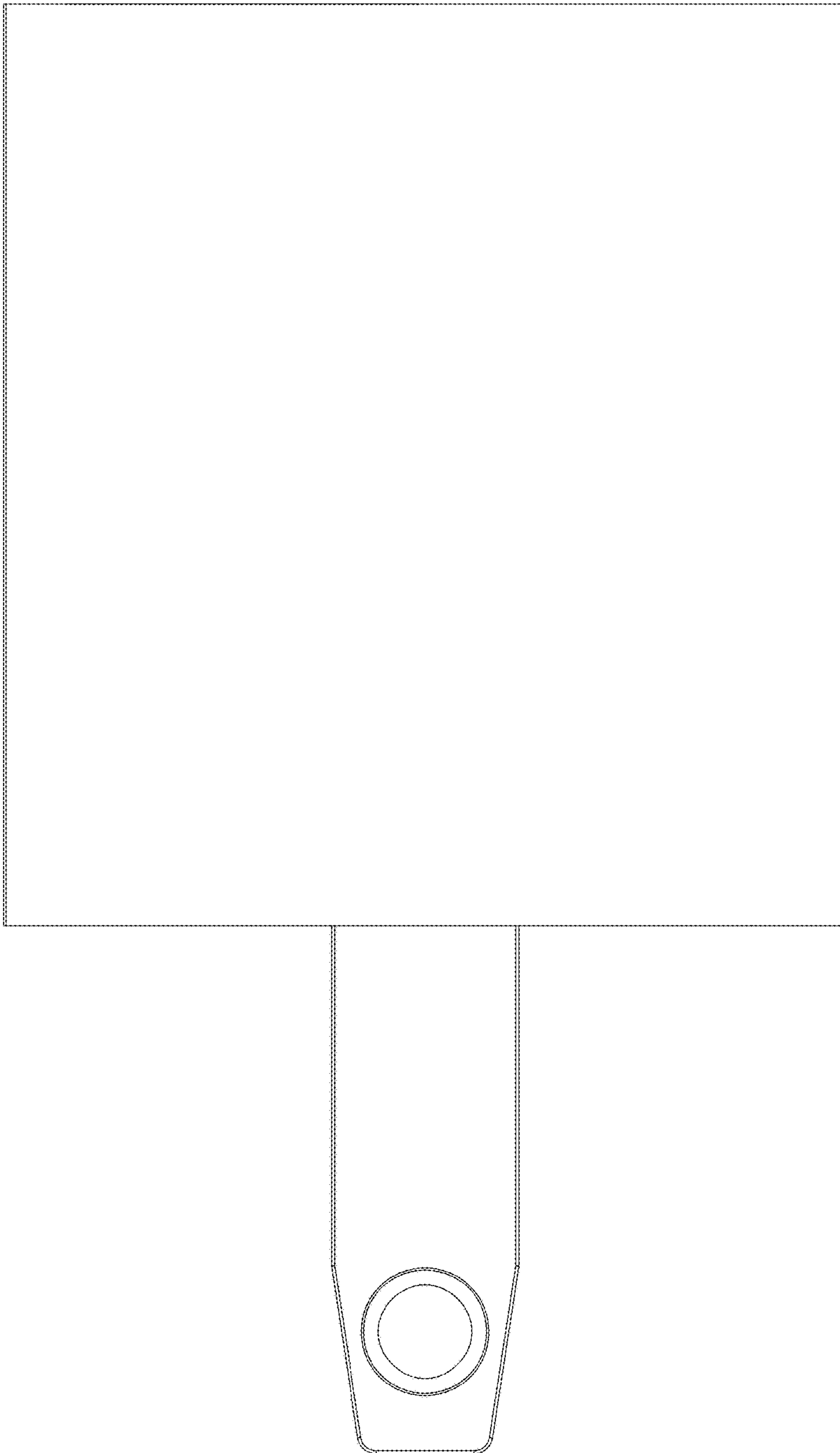


Fig. 7



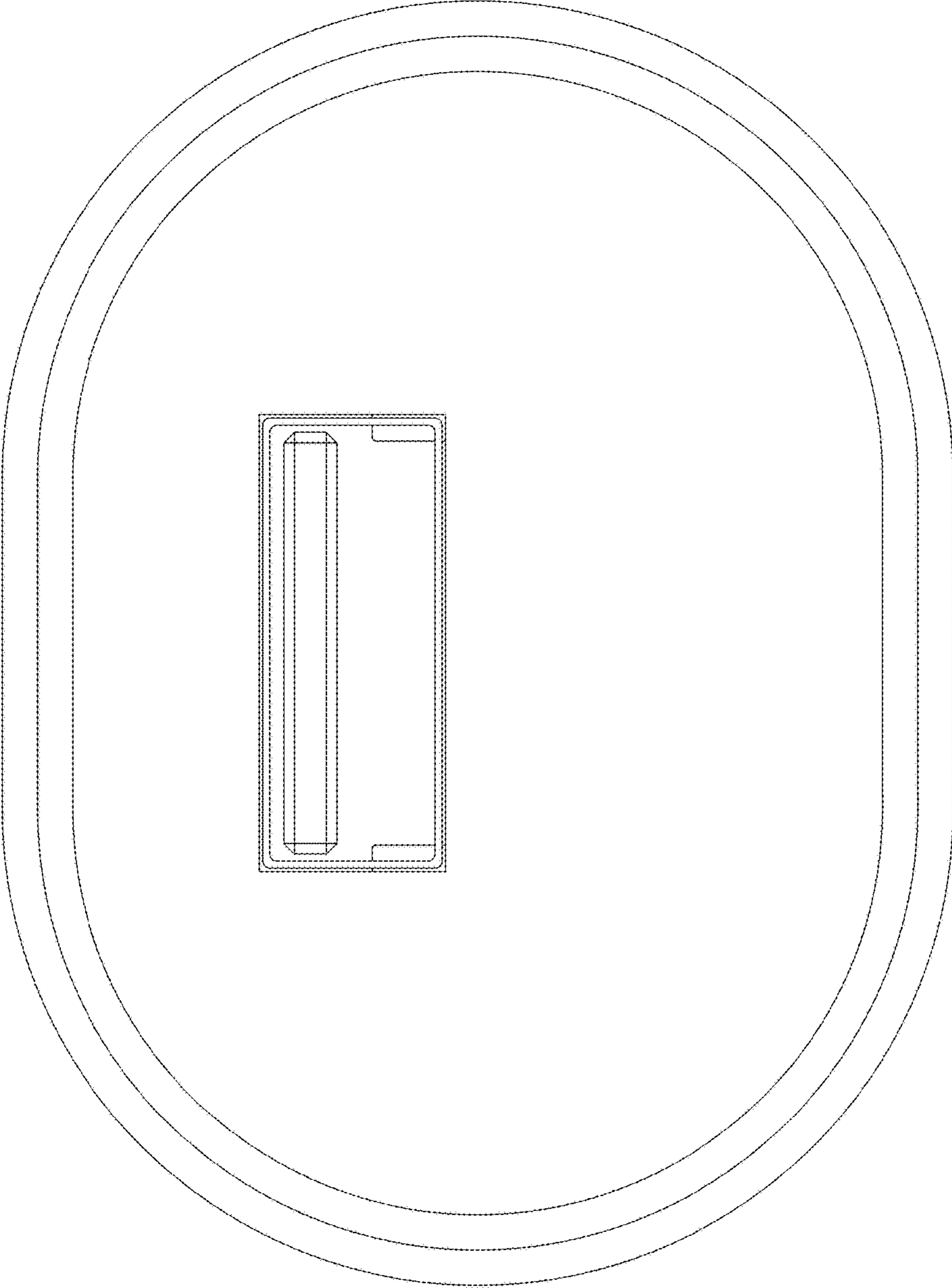


Fig. 8

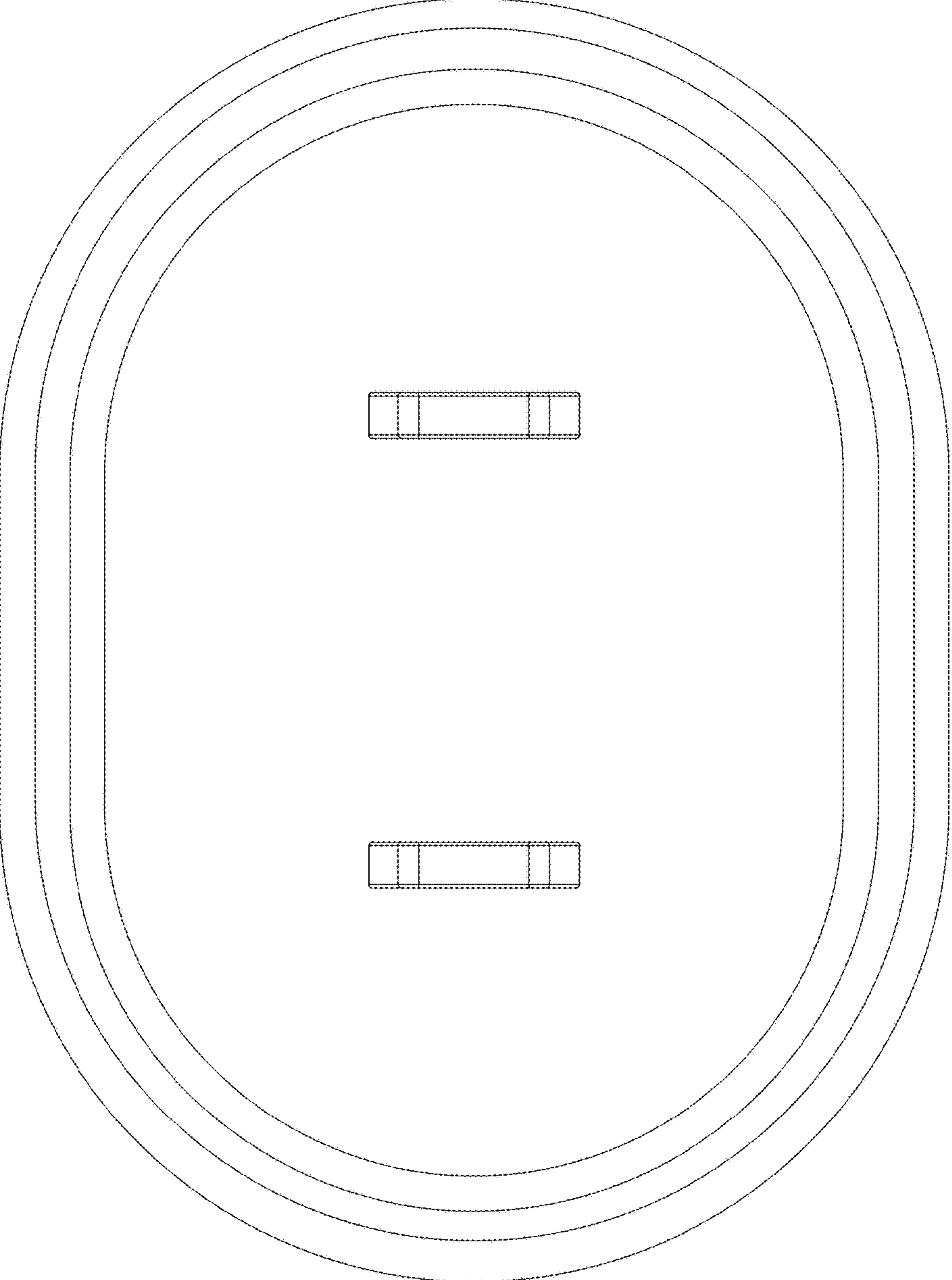


Fig. 9