



US00D799421S

(12) **United States Design Patent** (10) **Patent No.:** **US D799,421 S**  
**Hernandez** (45) **Date of Patent:** **\*\* Oct. 10, 2017**

(54) **ELECTRIC VEHICLE CHARGING STAND**

D237,718 S \* 11/1975 Bozich et al. .... D13/139.5  
D410,553 S \* 6/1999 Compton ..... D25/126  
D434,001 S \* 11/2000 Sayger ..... D13/139.5

(71) Applicant: **ECM PECO, INC.**, Irwindale, CA  
(US)

(Continued)

(72) Inventor: **Frank J. Hernandez**, Bradbury, CA  
(US)

**OTHER PUBLICATIONS**

(73) Assignee: **ECM PECO, INC.**, Irwindale, CA  
(US)

EZ Handrail Bronze Aluminum Post, homedepot.com, review posted on Dec. 27, 2015, retrieved on Mar. 4, 2017, retrieved from the Internet: URL < <http://www.homedepot.com/p/EZ-Handrail-3-in-x-3-in-x-3-1-6-ft-Bronze-Aluminum-Post-with-Welded-Base-EZPRBZ-W/203546938>.\*

(\*\*) Term: **15 Years**

*Primary Examiner* — Rosemary K Tarcza

(21) Appl. No.: **29/561,494**

*Assistant Examiner* — Alison M Ofstun

(22) Filed: **Apr. 15, 2016**

(74) *Attorney, Agent, or Firm* — Loza & Loza, LLP;

(51) **LOC (10) Cl.** ..... **13-02**

Heidi L. Eisenhut

(52) **U.S. Cl.**

(57) **CLAIM**

USPC ..... **D13/107**

The ornamental design for an electric vehicle charging stand, as shown and described.

(58) **Field of Classification Search**

**DESCRIPTION**

USPC .... D13/102–110, 118–119, 184, 199, 139.5;  
D14/251, 253, 432, 434; D25/38.1,  
D25/42–44, 126, 131–132

CPC ..... Y02E 60/12; Y02T 90/14; Y02T 90/122;  
Y02T 90/128; Y02T 90/163; H02J 7/025;  
H02J 7/0042; H02J 7/0044; H02J 7/0045;  
H02J 7/0003; H02J 2001/008; H02J 3/32;  
H02J 3/008; H02J 7/0027; H02J 7/0013;  
H02J 7/0054; H02J 7/00; H01F 38/14;  
H01R 13/6675; H01M 2/1022; H01M  
2/1055; H01M 10/44; H01M 10/46;  
H01M 10/425; B60L 11/182; B60L  
11/1809; B60L 11/1861; B60R 16/03;  
E04H 17/14; E04H 17/1413; E04H  
17/1417; E04H 17/20; E04H 17/22

See application file for complete search history.

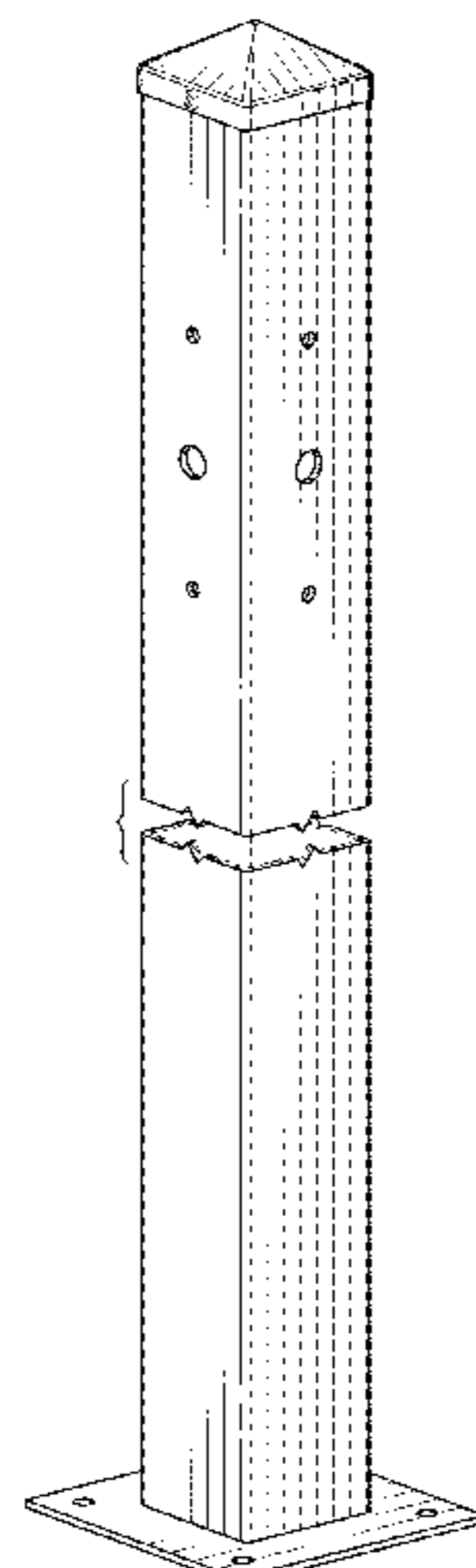
FIG. 1 is a top front right perspective of an electric vehicle charging stand showing my new design;  
FIG. 2 is a top front right perspective view thereof, shown in an environmental of use;  
FIG. 3 is a front view thereof, the back view being a mirror image thereof;  
FIG. 4 is a first side view thereof, the second side view being a mirror images thereof;  
FIG. 5 is a top view thereof; and;  
FIG. 6 is a bottom view thereof.  
The broken lines present in the figures are included for the purpose of illustrating portions of the article or environmental subject matter and form no part of the claimed design. The electric vehicle charging stand is shown with a symbolic break in its length. The appearance of any portion of the article between the break lines forms no part of the claimed design.

(56) **References Cited**

**U.S. PATENT DOCUMENTS**

991,913 A \* 5/1911 Von Engeln ..... E04H 17/22  
52/150  
2,135,389 A \* 11/1938 Dempsey ..... E04H 17/22  
403/361

**1 Claim, 4 Drawing Sheets**



(56)

## References Cited

## U.S. PATENT DOCUMENTS

D446,330 S \* 8/2001 Metcheur, III ..... D26/68  
D465,286 S \* 11/2002 Gregori ..... D25/38.1  
7,032,891 B2 \* 4/2006 Rowley ..... E04H 17/143  
256/24  
D539,435 S \* 3/2007 Owsley ..... D25/40  
D554,282 S \* 10/2007 Flaherty ..... D26/68  
D592,783 S \* 5/2009 Flaherty ..... D26/68  
D597,699 S \* 8/2009 Flaherty ..... D26/68  
D625,029 S \* 10/2010 Badgley ..... D25/125  
D659,635 S \* 5/2012 Hou ..... D13/107  
D671,397 S \* 11/2012 McLaughlin ..... D25/133  
D671,659 S \* 11/2012 Clayton ..... D25/126  
D737,123 S \* 8/2015 Prian ..... D25/126  
2006/0076546 A1 \* 4/2006 Bertato ..... E04H 17/1439  
256/65.11  
2006/0081828 A1 \* 4/2006 Gidseg ..... E04H 17/1443  
256/59  
2006/0202186 A1 \* 9/2006 Rowley ..... E04H 17/1417  
256/67  
2016/0230412 A1 \* 8/2016 Keenan ..... E04H 17/00  
2017/0028859 A1 \* 2/2017 Kang ..... B60L 11/1811

\* cited by examiner

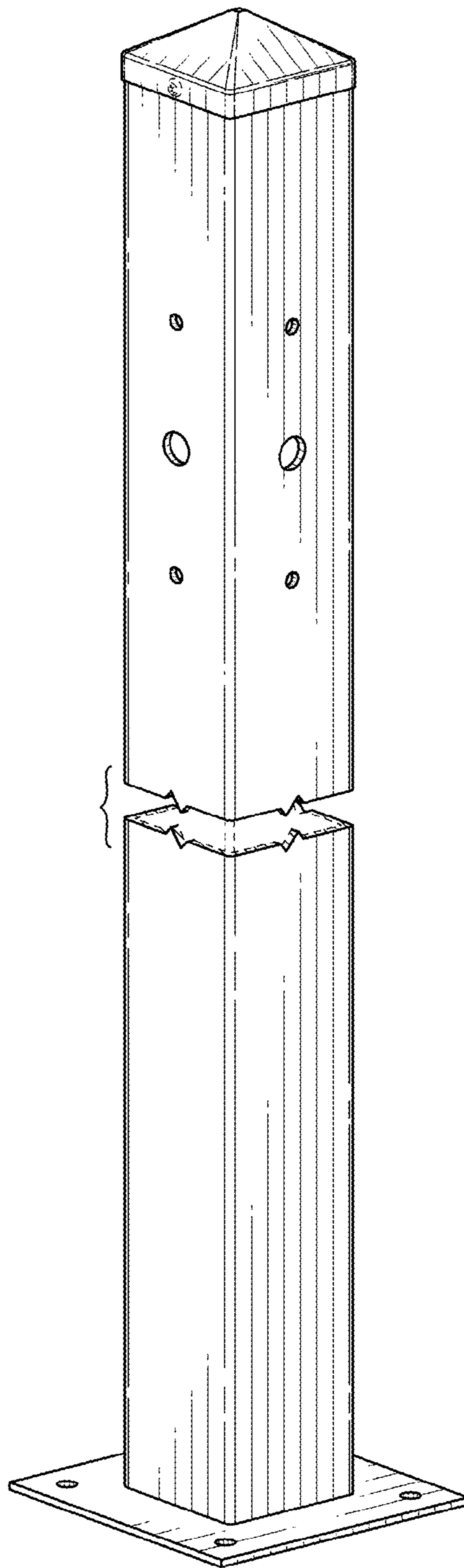


FIG. 1

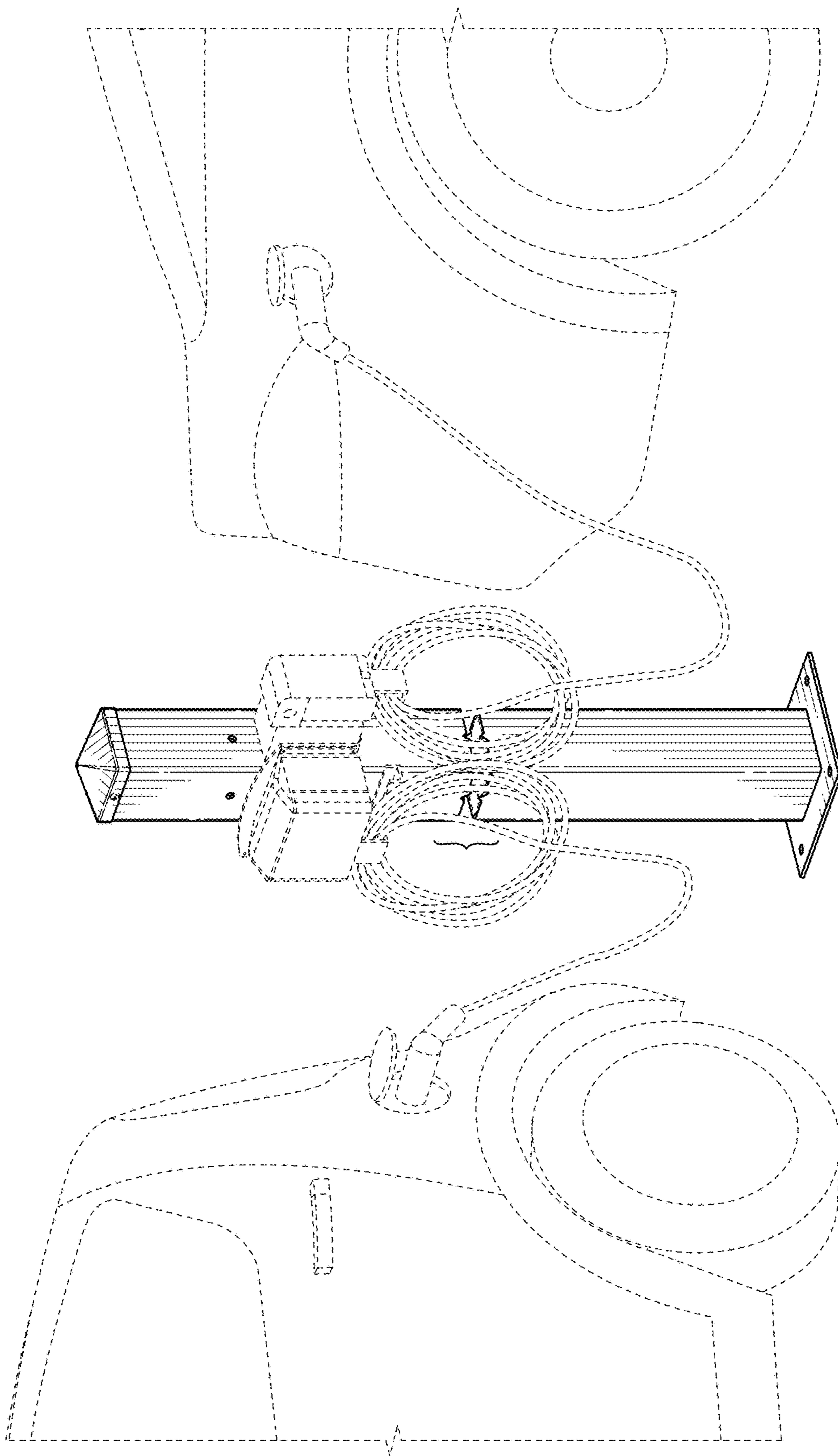


FIG. 2



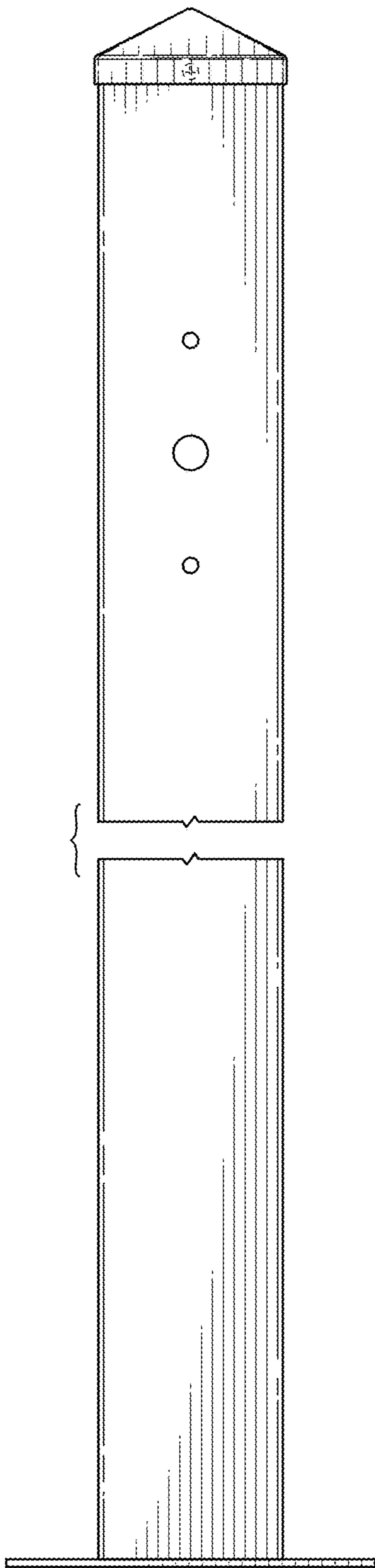


FIG. 3

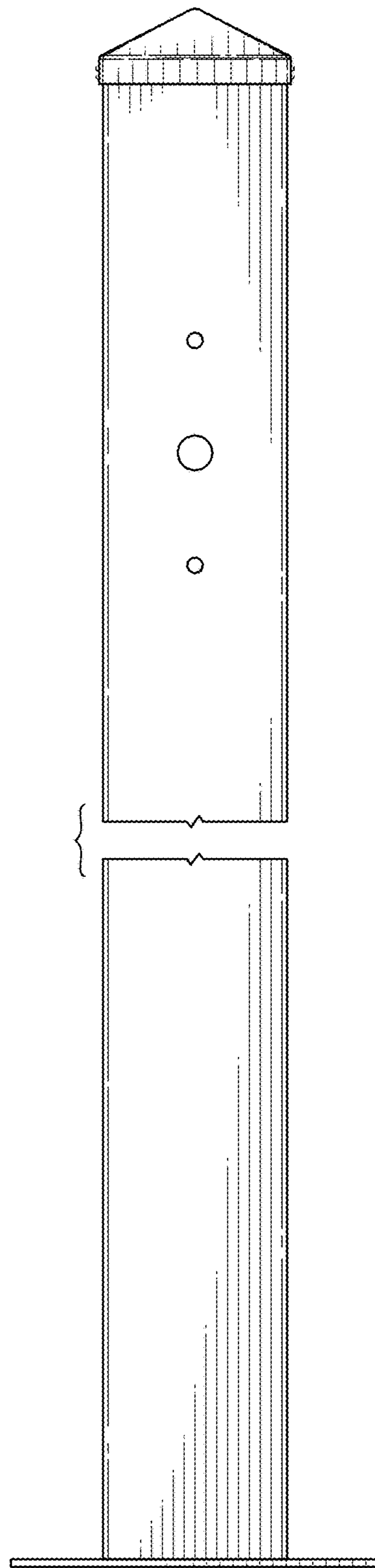


FIG. 4

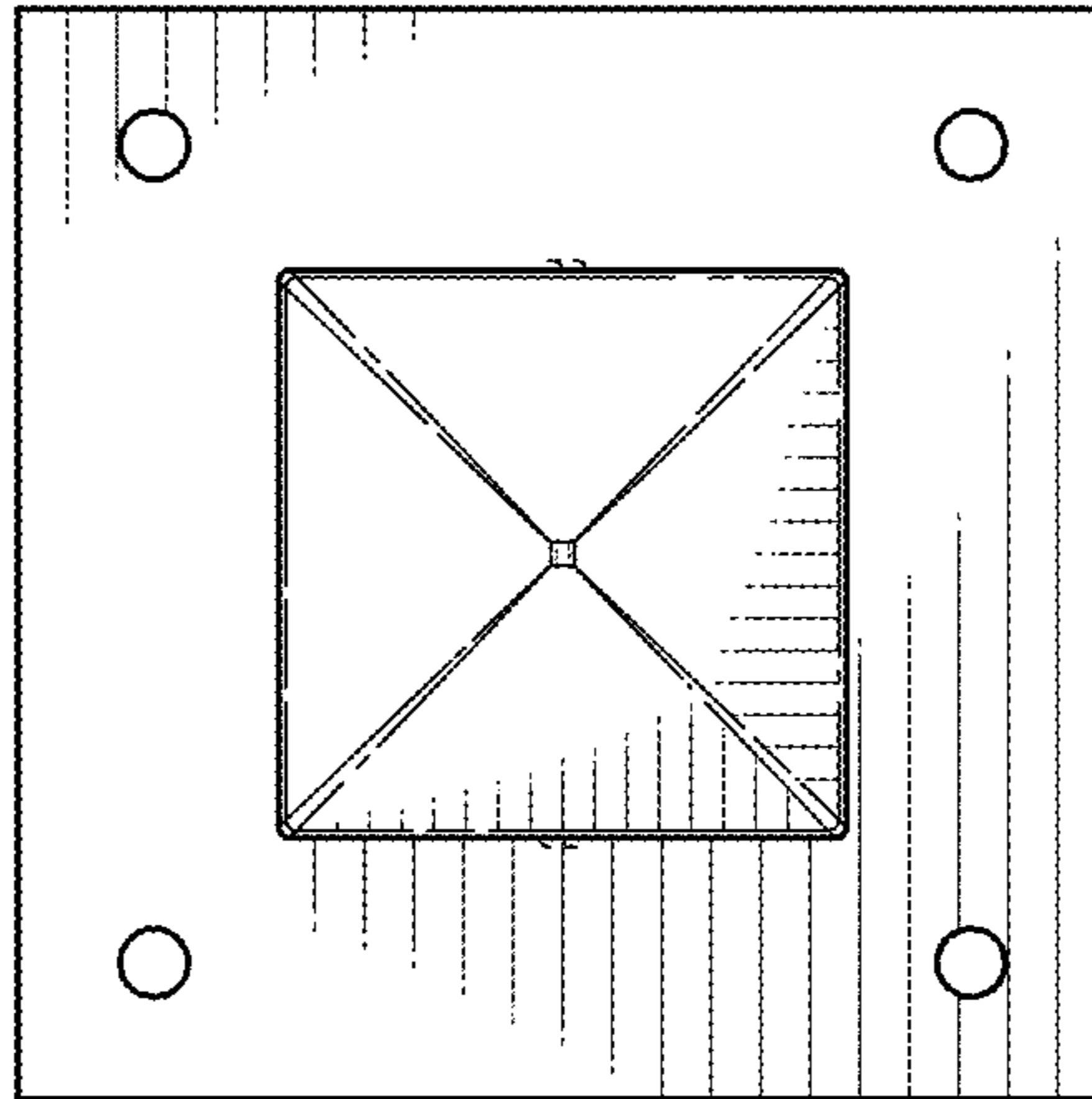


FIG. 5

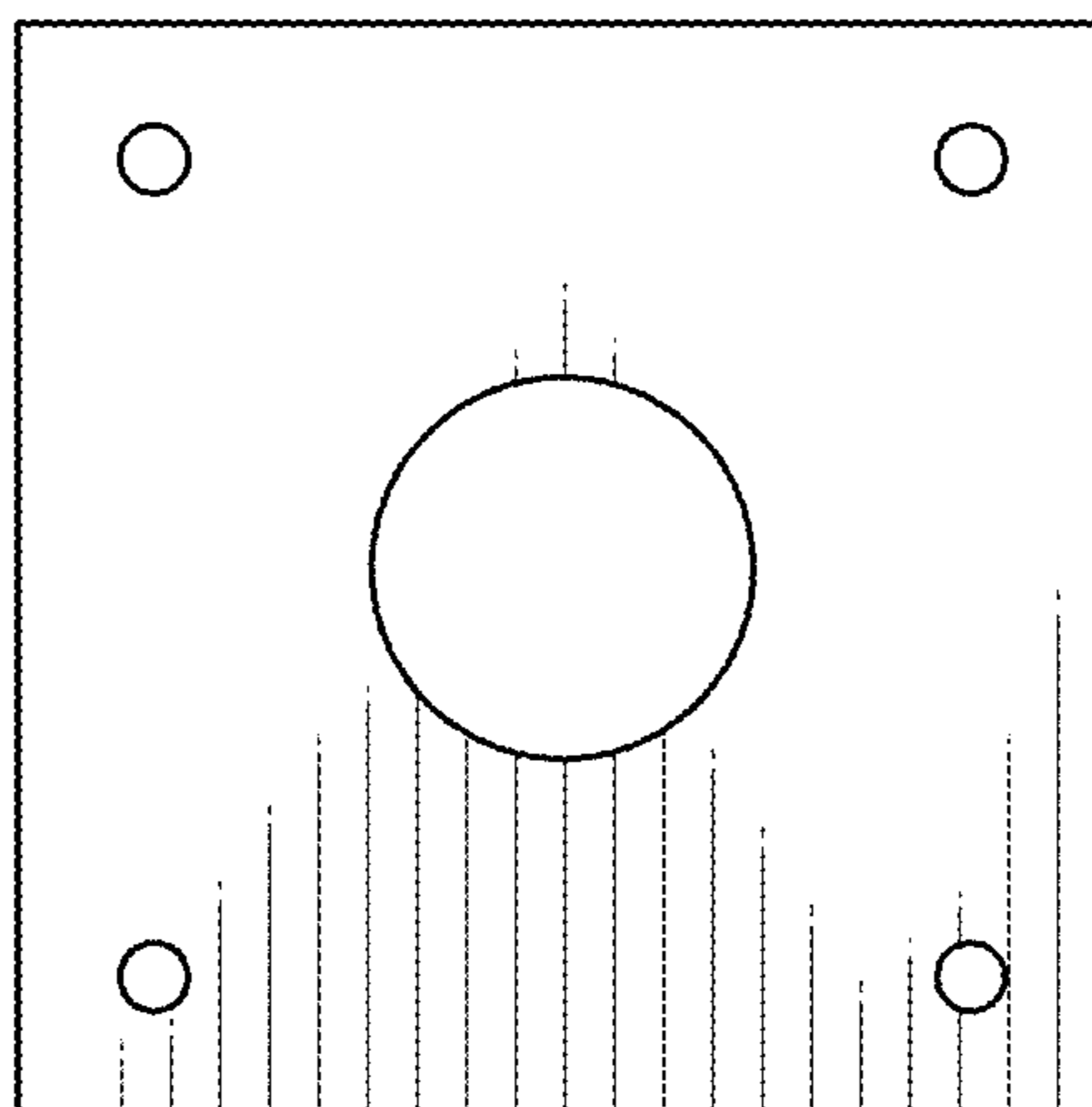


FIG. 6