



US00D799418S

(12) **United States Design Patent** (10) **Patent No.:** **US D799,418 S**
Desjardins et al. (45) **Date of Patent:** **** Oct. 10, 2017**

(54) **SINGLE FLOW ION EXCHANGE DEVICE**

(71) Applicant: **MANN+HUMMEL GMBH**,
Ludwigsburg (DE)

(72) Inventors: **Michael Desjardins**, Willow Springs,
NC (US); **Stuart Miller**, Clayton, NC
(US)

(73) Assignee: **MANN+HUMMEL GMBH**,
Ludwigsburg (DE)

(**) Term: **15 Years**

(21) Appl. No.: **29/536,146**

(22) Filed: **Aug. 13, 2015**

(51) **LOC (10) Cl.** **13-02**

(52) **U.S. Cl.**
USPC **D13/101**

(58) **Field of Classification Search**
USPC D13/101, 118, 122, 133, 184, 199;
356/432, 436, 437; 422/28, 37, 129, 139,
422/140, 141, 145, 236; 423/477, 478;
376/220, 228, 230, 347
CPC H01M 8/02; H01M 8/04; H01M 8/1007;
H01M 8/04014; H01M 8/04044; H01M
8/04089; H01M 8/04201; H01M 8/04932;
H01M 2250/20; B01J 47/14; Y02T 90/32
See application file for complete search history.

(56) **References Cited**

U.S. PATENT DOCUMENTS

D202,894 S * 11/1965 Carr 417/49
D351,337 S * 10/1994 Bonnema D27/141
D462,050 S * 8/2002 Smith D13/101
D539,734 S * 4/2007 Brady D13/110

D615,488 S * 5/2010 Chen D13/101
D653,760 S * 2/2012 Johnson D24/164
D680,059 S * 4/2013 Rosenzweig D13/101
D702,628 S * 4/2014 Williams D13/101
D716,427 S * 10/2014 Lim D23/364
2009/0038315 A1* 2/2009 Johnson H01M 14/00
60/783
2010/0147606 A1* 6/2010 Kalenborn B60K 6/24
180/65.21
2016/0197363 A1* 7/2016 Na H01M 8/04044
210/86

* cited by examiner

Primary Examiner — Derrick Holland

(74) *Attorney, Agent, or Firm* — James Hasselbeck

(57) **CLAIM**

We claim the ornamental design for a single flow ion exchange device, as shown and described.

DESCRIPTION

The patent or application file contains at least one photograph executed in color. Copies of this patent or patent application publication with color photograph(s) will be provided by the Office upon request and payment of the necessary fee.

FIG. 1 is a perspective color photo image of a single flow ion exchange device showing our new design;

FIG. 2 is a front elevational view thereof;

FIG. 3 is a rear elevational view thereof;

FIG. 4 is a right side elevational view thereof;

FIG. 5 is a left side elevational view thereof;

FIG. 6 is a top plan view thereof;

FIG. 7 is a bottom plan view thereof; and,

FIG. 8 is a bottom-front perspective view thereof.

1 Claim, 7 Drawing Sheets
(7 of 7 Drawing Sheet(s) Filed in Color)





FIG. 1



FIG 2



FIG 3



FIG 4



FIG 5

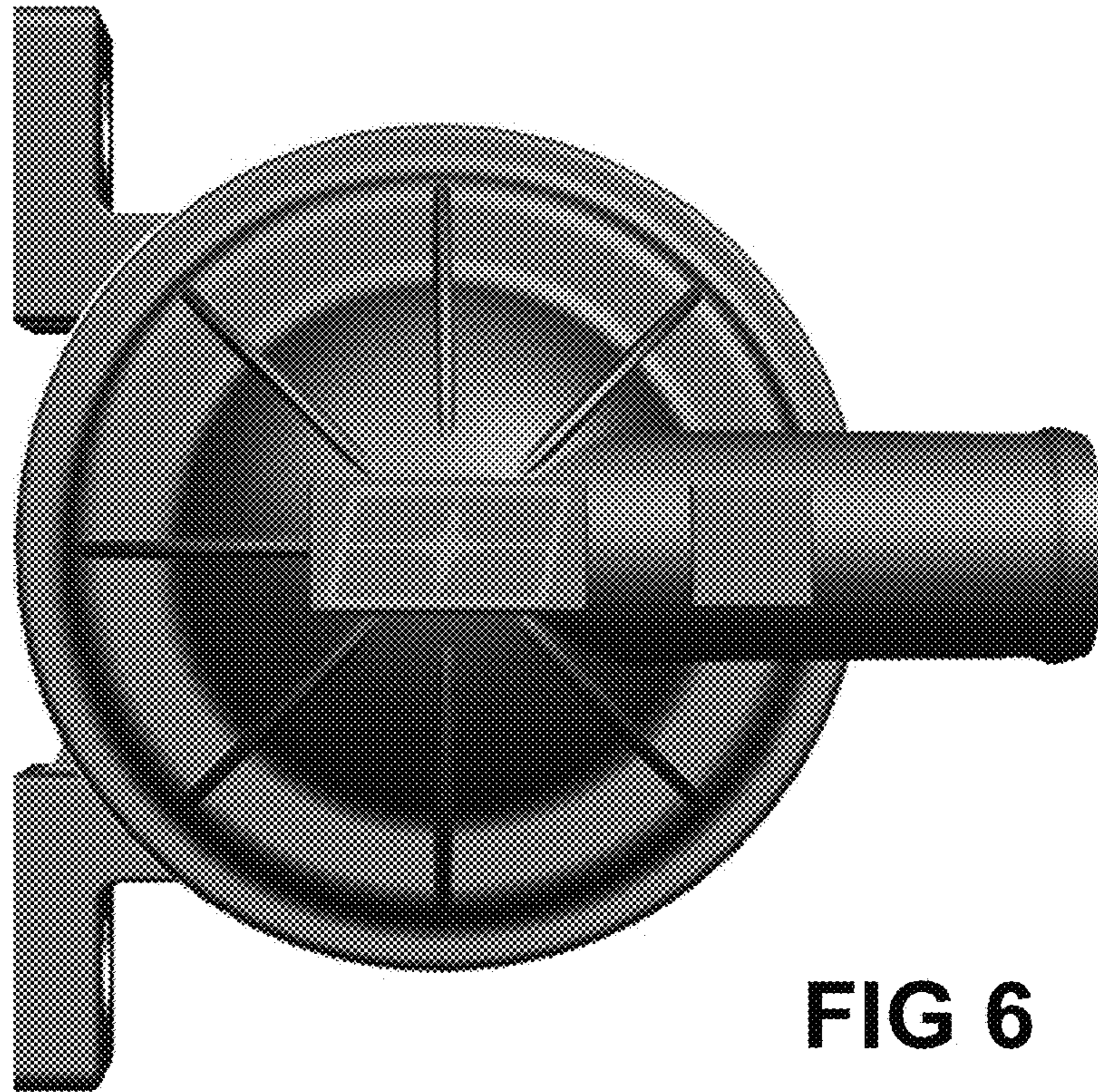


FIG 6

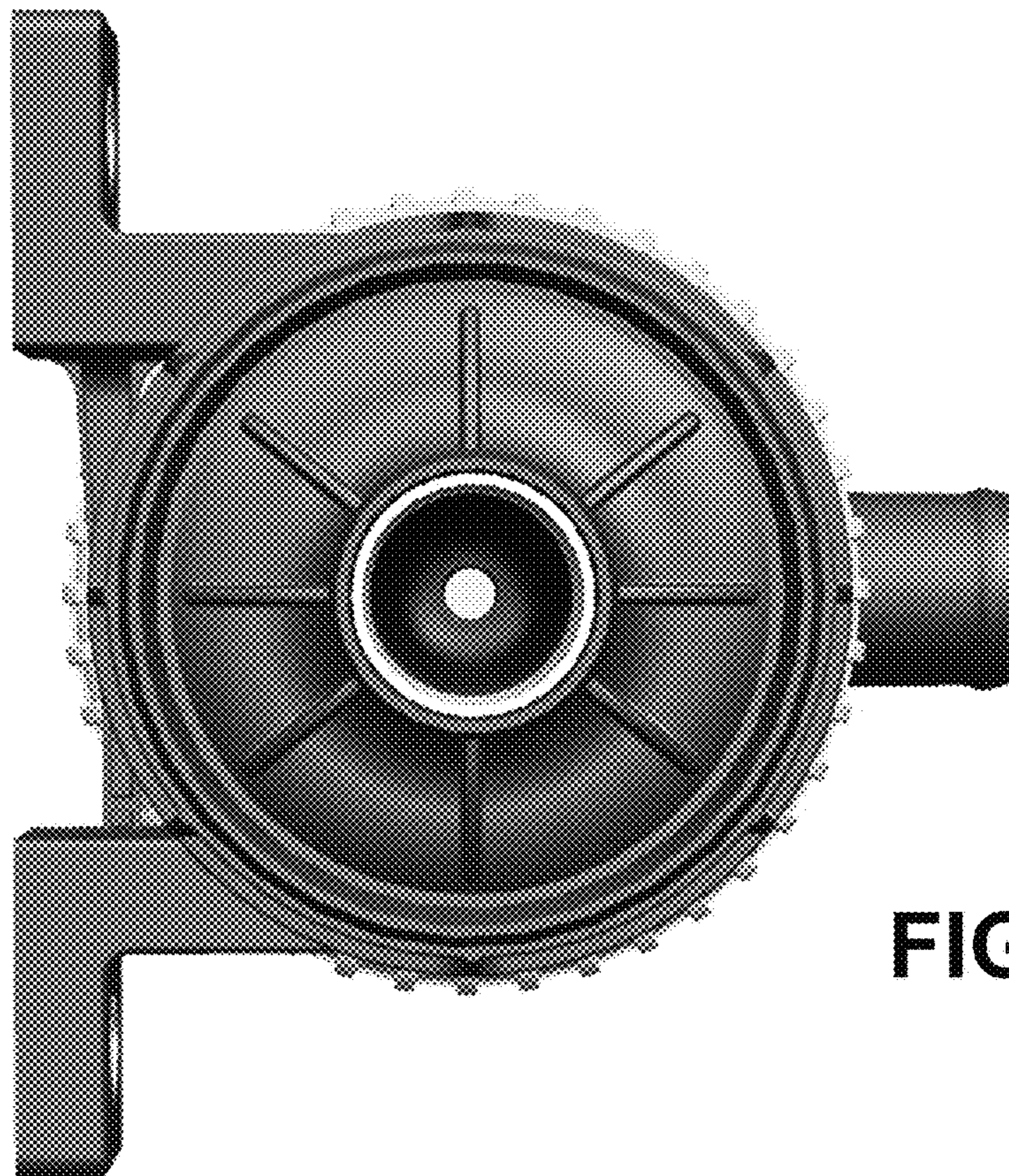


FIG 7



FIG 8