



US00D799417S

(12) **United States Design Patent**  
**Desjardins et al.**

(10) **Patent No.:** **US D799,417 S**

(45) **Date of Patent:** **\*\* Oct. 10, 2017**

- (54) **SINGLE FLOW ION EXCHANGE CARTRIDGE**
- (71) Applicant: **MANN+HUMMEL GMBH**,  
Ludwigsburg (DE)
- (72) Inventors: **Michael Desjardins**, Willow Springs,  
NC (US); **Stuart Miller**, Clayton, NC  
(US)
- (73) Assignee: **MANN+HUMMEL GMBH**,  
Ludwigsburg (DE)
- (\*\*) Term: **15 Years**
- (21) Appl. No.: **29/536,144**
- (22) Filed: **Aug. 13, 2015**
- (51) **LOC (10) Cl.** ..... **13-02**
- (52) **U.S. Cl.**  
USPC ..... **D13/101**
- (58) **Field of Classification Search**  
USPC ..... D13/101, 118, 122, 133, 184, 199;  
356/432, 436, 437; 422/28, 37, 129, 139,  
422/140, 141, 145, 236; 423/477, 478;  
376/220, 228, 230, 347  
CPC ..... H01M 8/02; H01M 8/04; H01M 8/1007;  
H01M 8/04014; H01M 8/04044; H01M  
8/04089; H01M 8/04201; H01M 8/04932;  
H01M 2250/20; B01J 47/14; Y02T 90/32  
See application file for complete search history.

D462,050 S *	8/2002	Smith	.....	D13/101
D539,734 S *	4/2007	Brady	.....	D13/110
D615,488 S *	5/2010	Chen	.....	D13/101
D653,760 S *	2/2012	Johnson	.....	D24/164
D680,059 S *	4/2013	Rosenzweig	.....	D13/101
D702,628 S *	4/2014	Williams	.....	D13/101
D716,427 S *	10/2014	Lim	.....	D23/364
2009/0038315 A1 *	2/2009	Johnson	.....	H01M 14/00 60/783
2010/0147606 A1 *	6/2010	Kalenborn	.....	B60K 6/24 180/65.21
2016/0197363 A1 *	7/2016	Na	.....	H01M 8/04044 210/86

\* cited by examiner

*Primary Examiner* — Derrick Holland

(74) *Attorney, Agent, or Firm* — James Hasselbeck

(57) **CLAIM**

We claim the ornamental design for a single flow ion exchange cartridge, as shown and described.

**DESCRIPTION**

FIG. 1 is a perspective photo image of a single flow ion exchange device showing our new design; FIG. 2 is a front elevational view thereof; FIG. 3 is a rear elevational view thereof; FIG. 4 is a right side elevational view thereof; FIG. 5 is a left side elevational view thereof; FIG. 6 is a top plan view thereof; FIG. 7 is a bottom plan view thereof; and, FIG. 8 is a bottom-front perspective view thereof.

**1 Claim, 8 Drawing Sheets**

(56) **References Cited**

**U.S. PATENT DOCUMENTS**

- D202,894 S \* 11/1965 Carr ..... 417/49
- D351,337 S \* 10/1994 Bonnema ..... D27/141







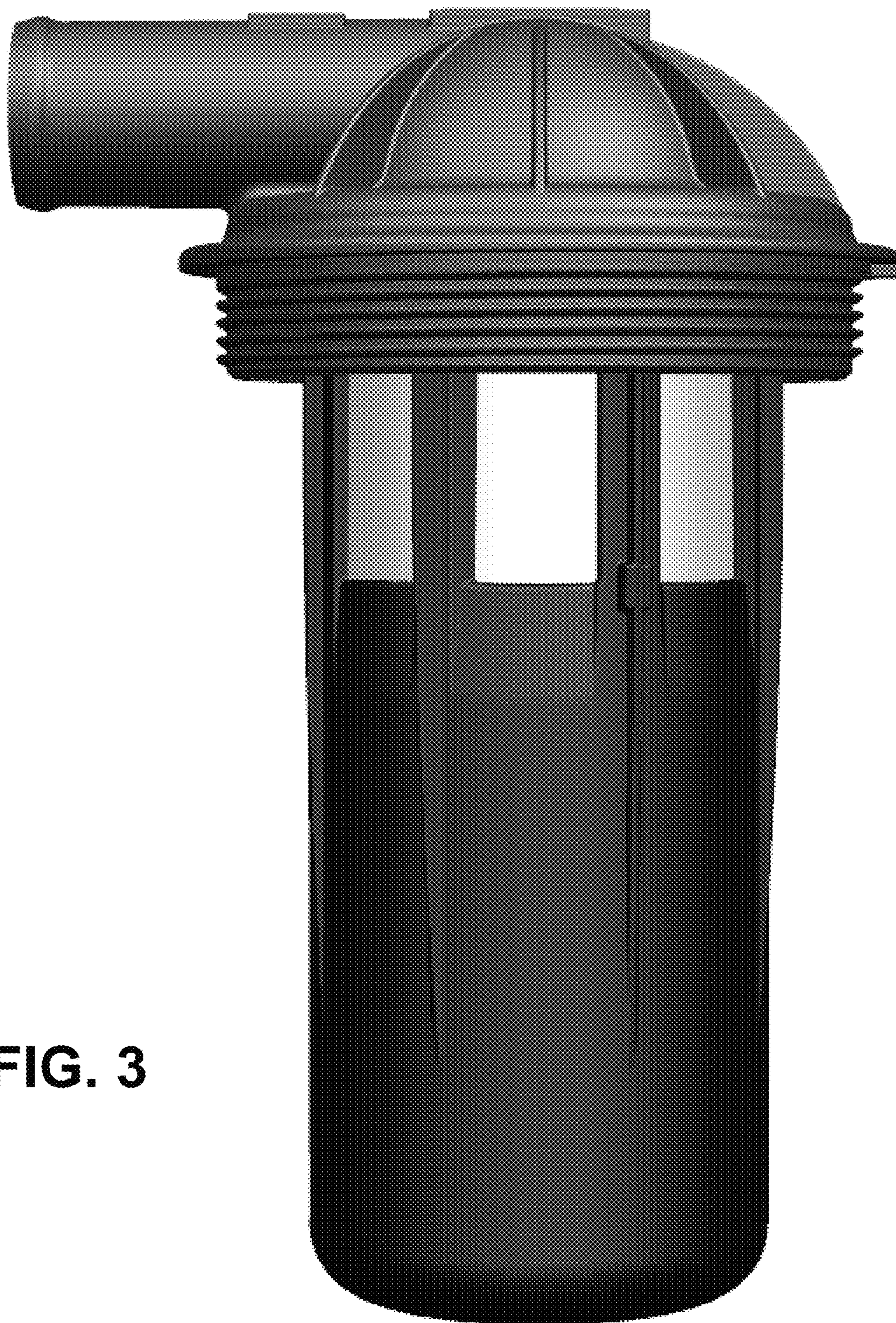
**FIG. 1**





**FIG. 2**





**FIG. 3**





**FIG. 4**





**FIG. 5**



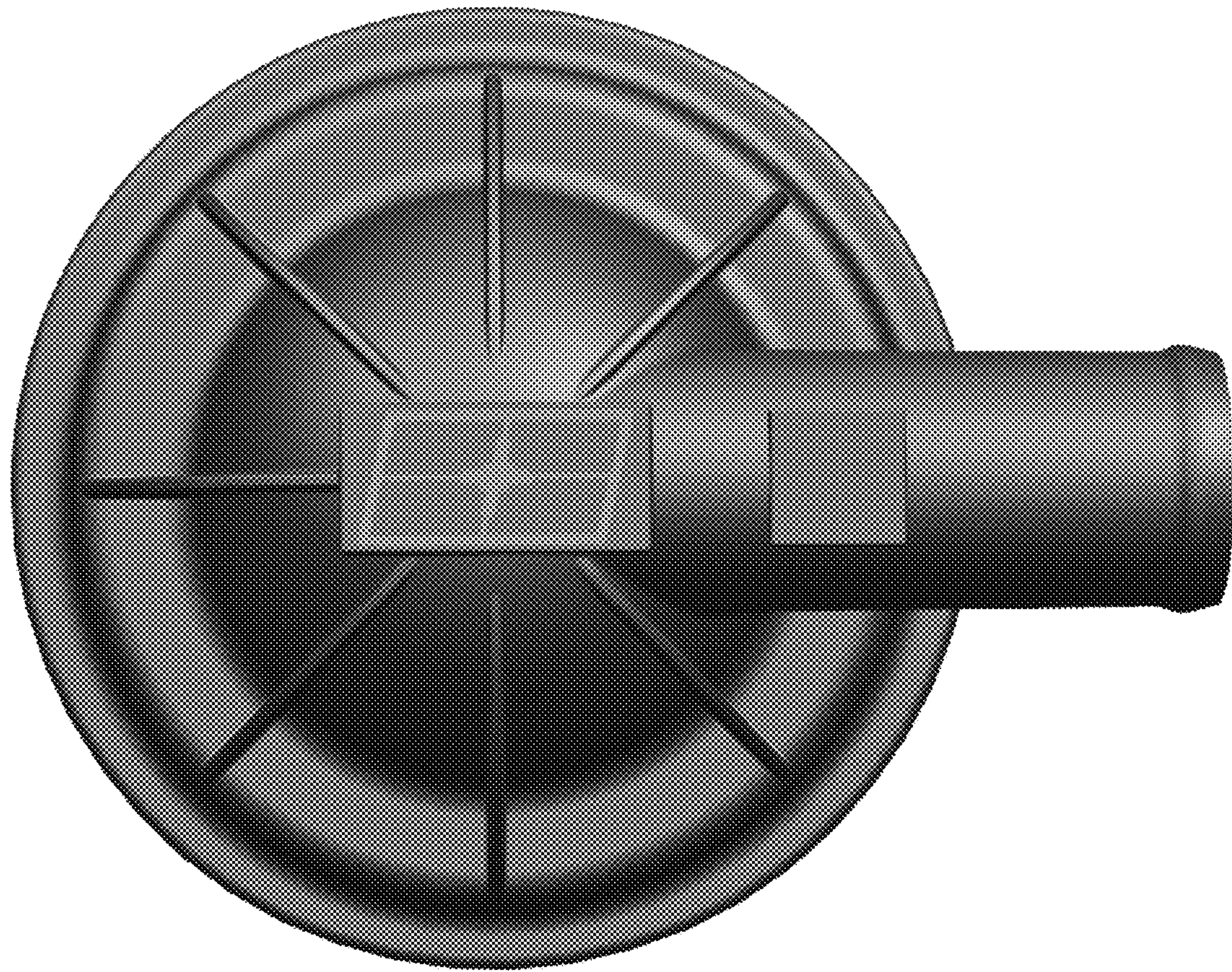


FIG. 6





FIG. 7





FIG. 8