



US00D799412S

(12) **United States Design Patent**
Herbeuval et al.

(10) **Patent No.:** **US D799,412 S**

(45) **Date of Patent:** **** Oct. 10, 2017**

(54) **TIRE**

(71) Applicant: **The Goodyear Tire & Rubber Company, Akron, OH (US)**

(72) Inventors: **Veronique Marie-Jose Herbeuval, Arlon (BE); Pascale de Briey-Terlinden, Attert (BE)**

(73) Assignee: **The Goodyear Tire & Rubber Company, Akron, OH (US)**

(**) Term: **15 Years**

(21) Appl. No.: **29/588,523**

(22) Filed: **Dec. 21, 2016**

(51) **LOC (10) Cl.** **12-15**

(52) **U.S. Cl.**
USPC **D12/603**

(58) **Field of Classification Search**
USPC D12/579, 596, 597, 599, 600, 602, 603
CPC . B60C 11/03; B60C 11/0306; B60C 11/0311;
B60C 11/0323; B60C 2011/0344; B60C
2011/0346; B60C 2011/0374
See application file for complete search history.

(56) **References Cited**

U.S. PATENT DOCUMENTS

D335,841 S	*	5/1993	Caretta	D12/597
D384,615 S	*	10/1997	Lim	D12/603
D386,728 S	*	11/1997	Jeong	D12/603
D419,500 S	*	1/2000	Edwards	D12/603
D429,194 S		8/2000	Heinen et al.	D12/147
D429,478 S		8/2000	Heinen et al.	D12/147
D446,754 S	*	8/2001	Guspodin	D12/603
D451,868 S		12/2001	Graas et al.	D12/147
D453,718 S		2/2002	Traulle	D12/147
D472,873 S		4/2003	Douce	D12/560
D483,323 S	*	12/2003	Williams	D12/603
D484,457 S	*	12/2003	Kindig	D12/603
D505,112 S		5/2005	Heinen et al.	D12/567

D579,861 S		11/2008	Haas et al.	D12/553
D586,728 S		2/2009	Heinen et al.	D12/547
D592,588 S		5/2009	Heinen et al.	D12/564
D595,639 S		7/2009	de Briey-Terlinden	D12/553
D595,642 S	*	7/2009	Fontaine	D12/582
D597,475 S		8/2009	Heinen et al.	D12/553
D597,476 S		8/2009	de Briey-Terlinden	D12/553

(Continued)

Primary Examiner — Robert M Spear

(74) *Attorney, Agent, or Firm* — Robert N. Lipsik

(57) **CLAIM**

The ornamental design for a tire, as shown and described.

DESCRIPTION

FIG. 1 is a perspective view of a tire showing our new design, it being understood that the pattern repeats uniformly throughout the circumference of the tread;

FIG. 2 is a front elevational view thereof;

FIG. 3 is a right side elevational view thereof; the left side elevational view being identical thereto;

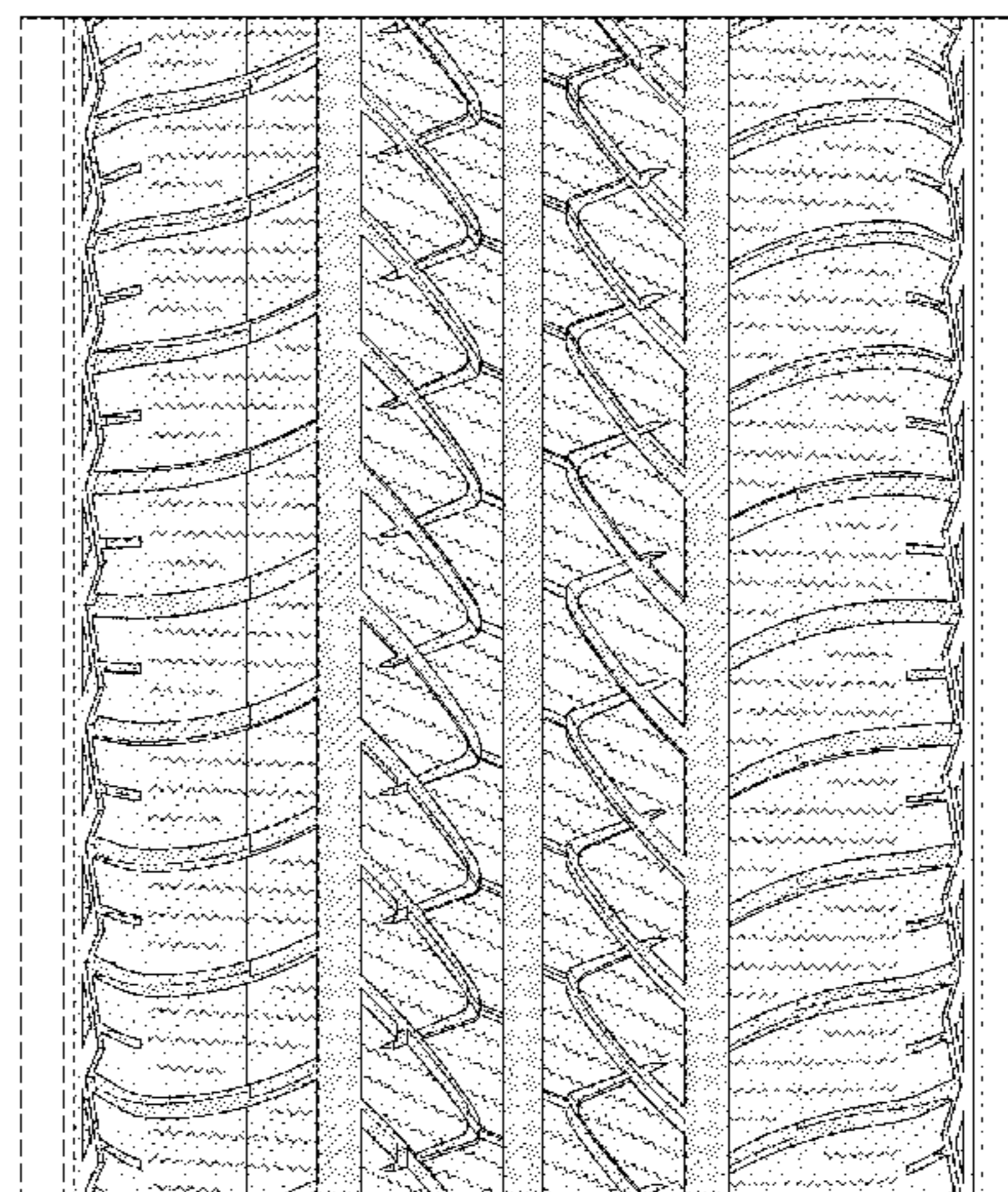
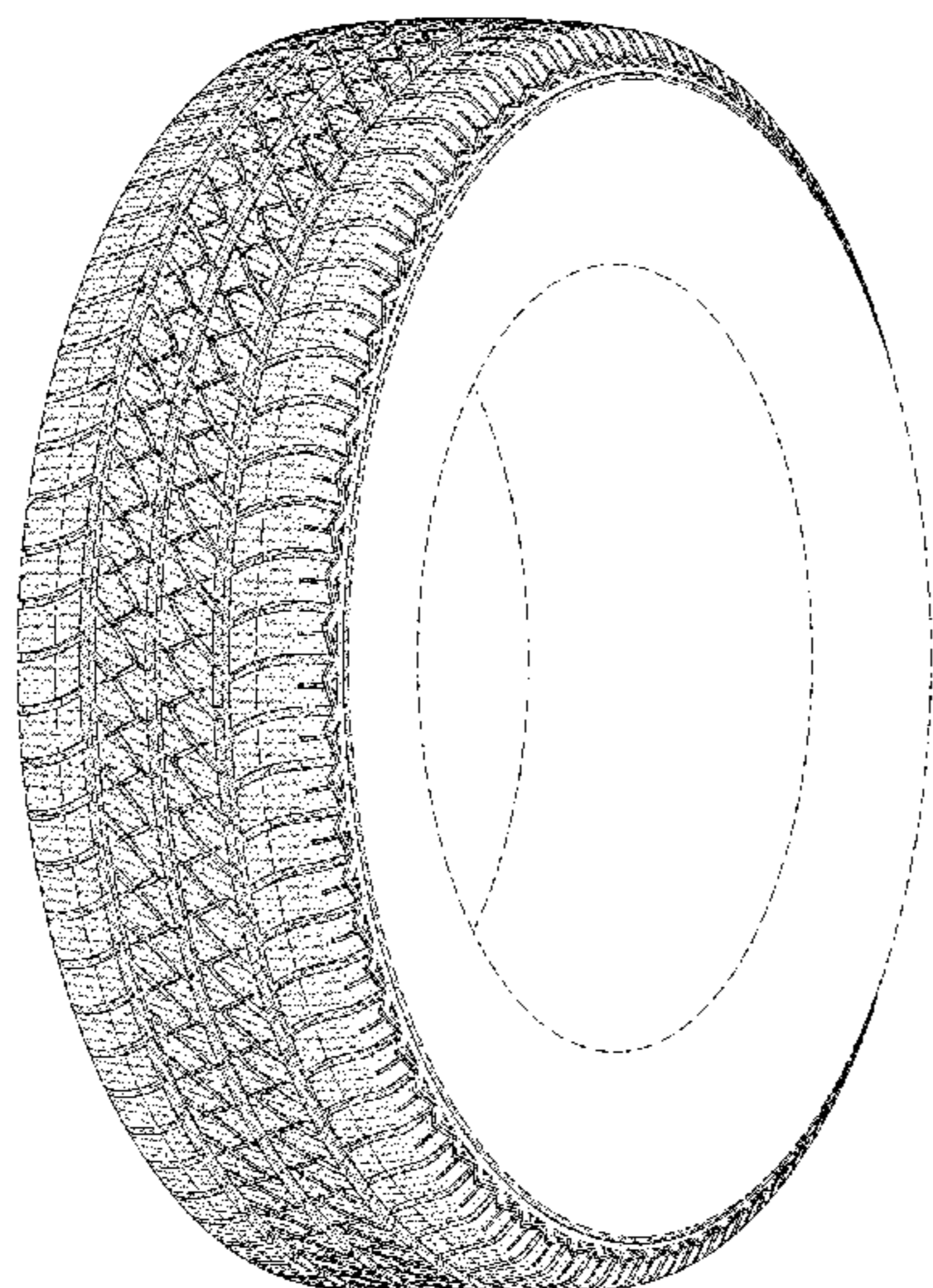
FIG. 4 is an enlarged fragmentary front elevational view thereof;

FIG. 5 is a perspective view of a second embodiment of a tire showing our new design, it being understood that the pattern repeats uniformly throughout the circumference of the tread and that the opposite side view is identical thereto; and,

FIG. 6 is a front elevational view of a second embodiment, it being understood that an enlarged fragmentary view thereof would be substantially identical to that shown in FIG. 4, with the exception of the inclusion of the sidewall in solid lines.

In the drawings, the broken lines showing of the sidewall, inner bead and the peripheral boundary between the tire tread and the sidewall in FIGS. 1 through 4 depict environmental subject matter and form no part of the claimed design.

1 Claim, 6 Drawing Sheets



(56)

References Cited

U.S. PATENT DOCUMENTS

D600,195 S	9/2009	Fontaine et al.	D12/564
D601,946 S	10/2009	Fontaine et al.	D12/553
D610,964 S	3/2010	Dixon et al.	D12/552
D610,973 S	3/2010	Dixon et al.	D12/600
D635,912 S	4/2011	Knispel	D12/564
D638,350 S	5/2011	Knispel	D12/564
D640,184 S	6/2011	de Briey-Terlinden	D12/553
D641,305 S	7/2011	de Briey-Terlinden	D12/547
D694,172 S	11/2013	Takei	D12/553
D702,625 S	4/2014	Leconte et al.	D12/564
D715,729 S	10/2014	Fontaine et al.	D12/566
D720,685 S	1/2015	Fontaine et al.	D12/565
D721,638 S	1/2015	Knispel	D12/564
D722,554 S	2/2015	Knispel et al.	D12/564
D723,453 S	3/2015	Knispel et al.	D12/563
D730,814 S *	6/2015	Kato	D12/584
D739,817 S *	9/2015	Nomoto	D12/583
D749,497 S *	2/2016	Lamb	D12/603
D754,058 S	4/2016	Caron et al.	D12/563
9,434,212 B2 *	9/2016	Takei	B60C 11/04
D768,562 S *	10/2016	Kato	D12/584
D782,969 S *	4/2017	Davis	D12/597
D784,914 S *	4/2017	Fontaine	D12/584

* cited by examiner

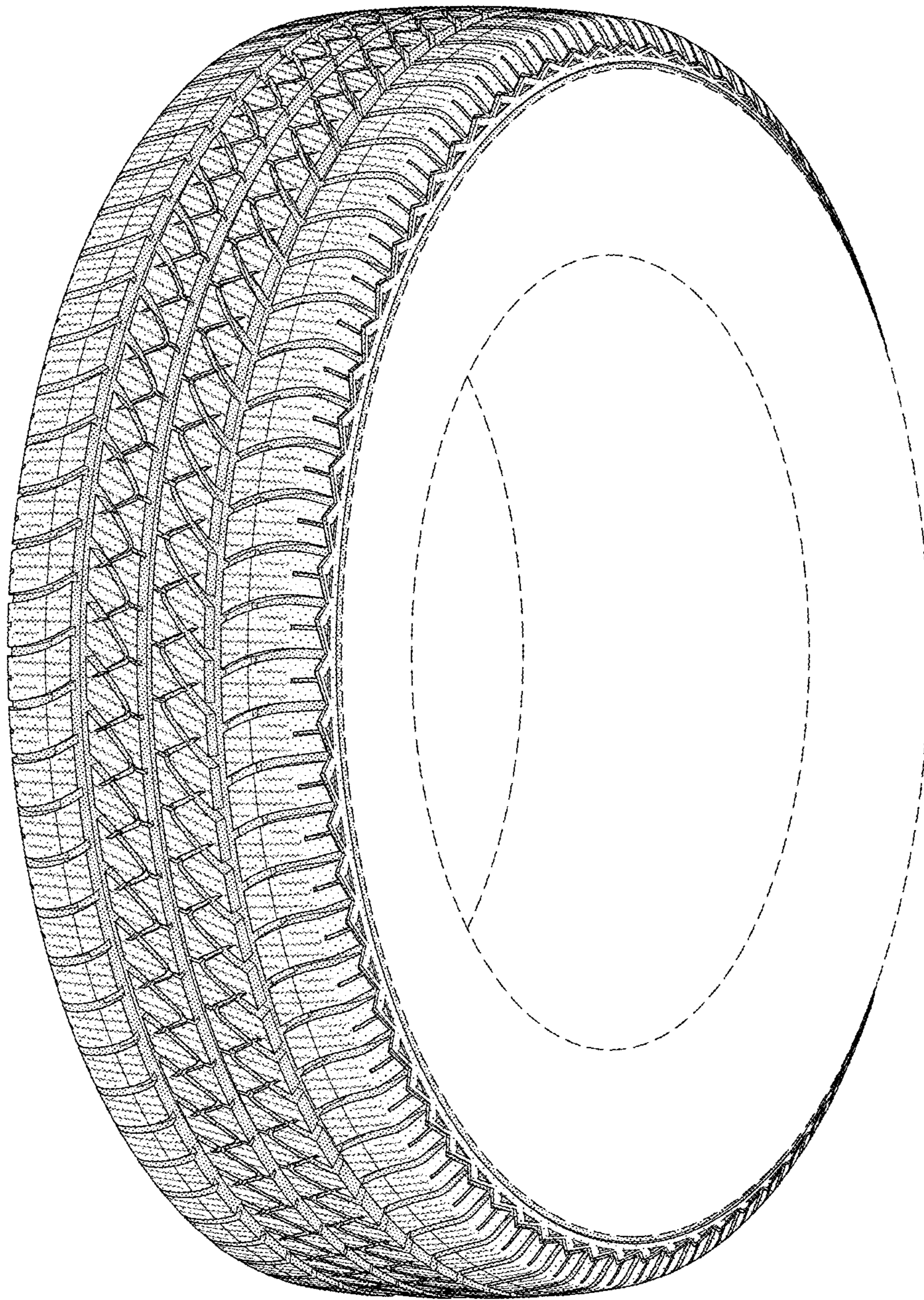


FIG-1

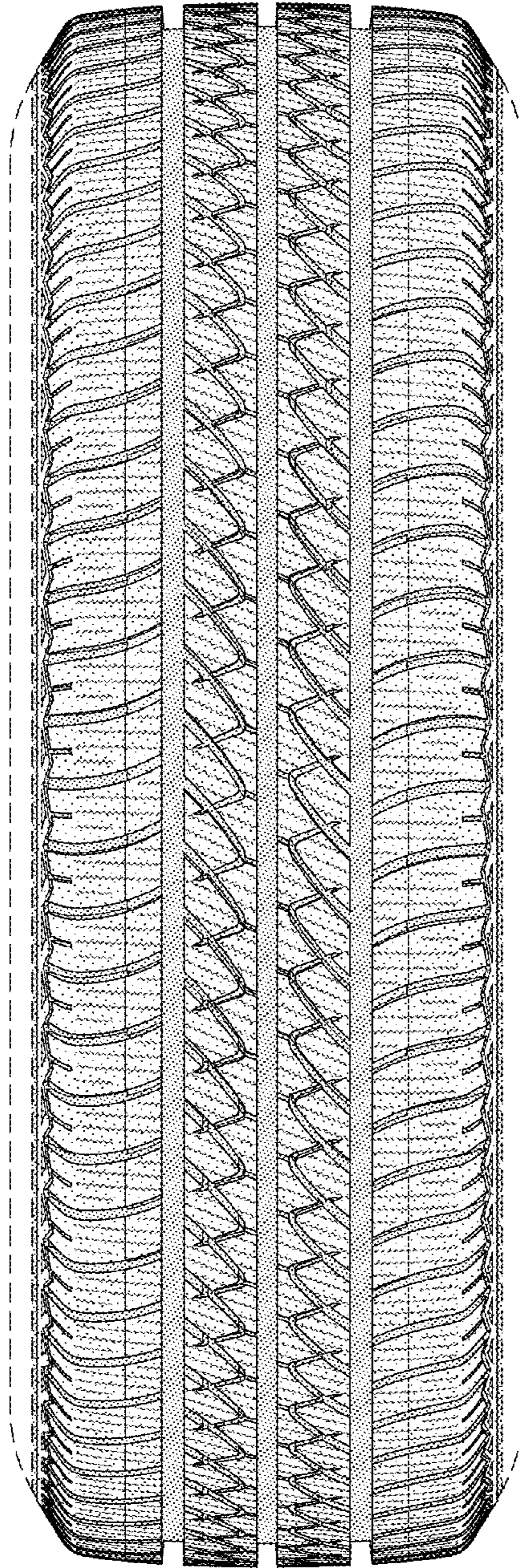


FIG-2

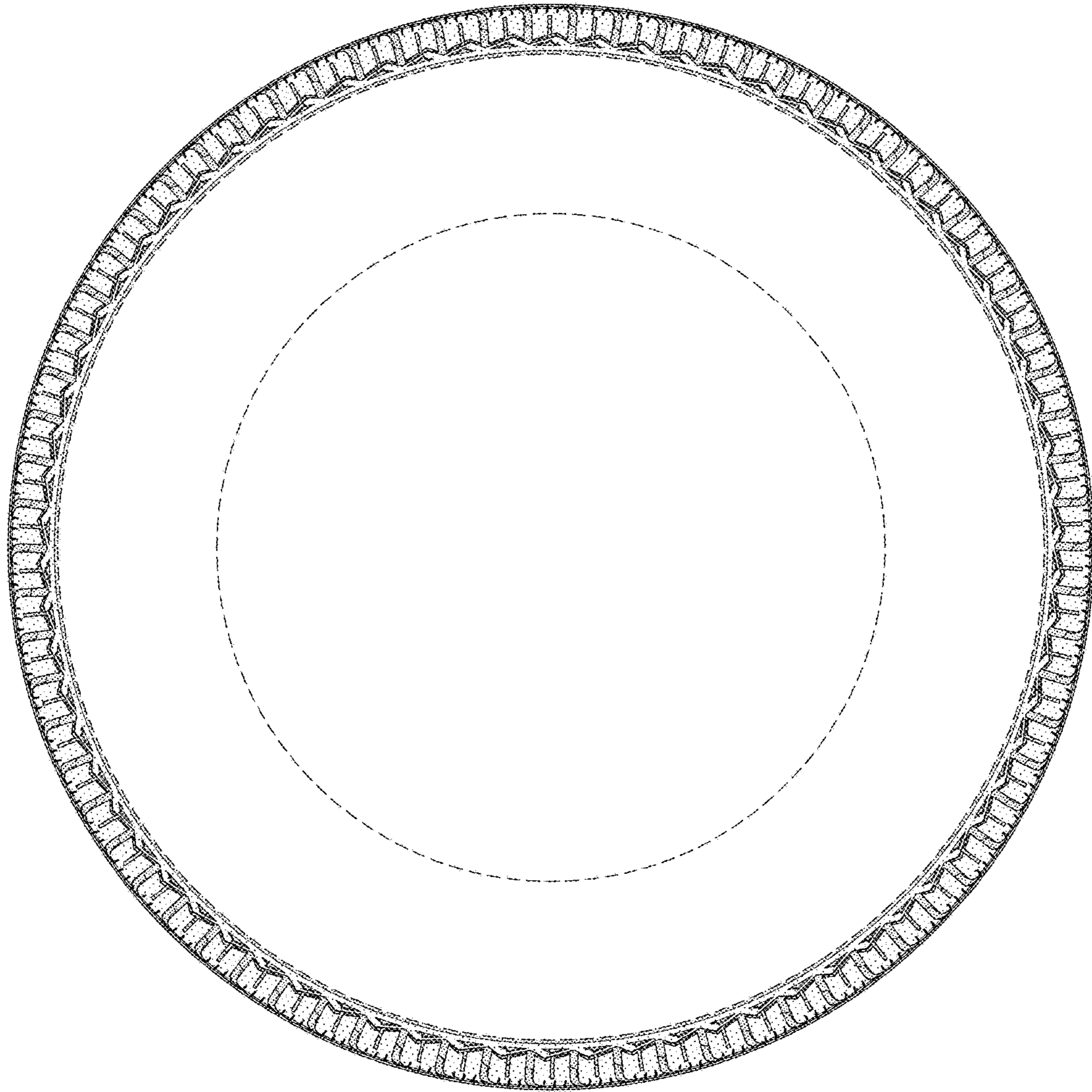


FIG-3

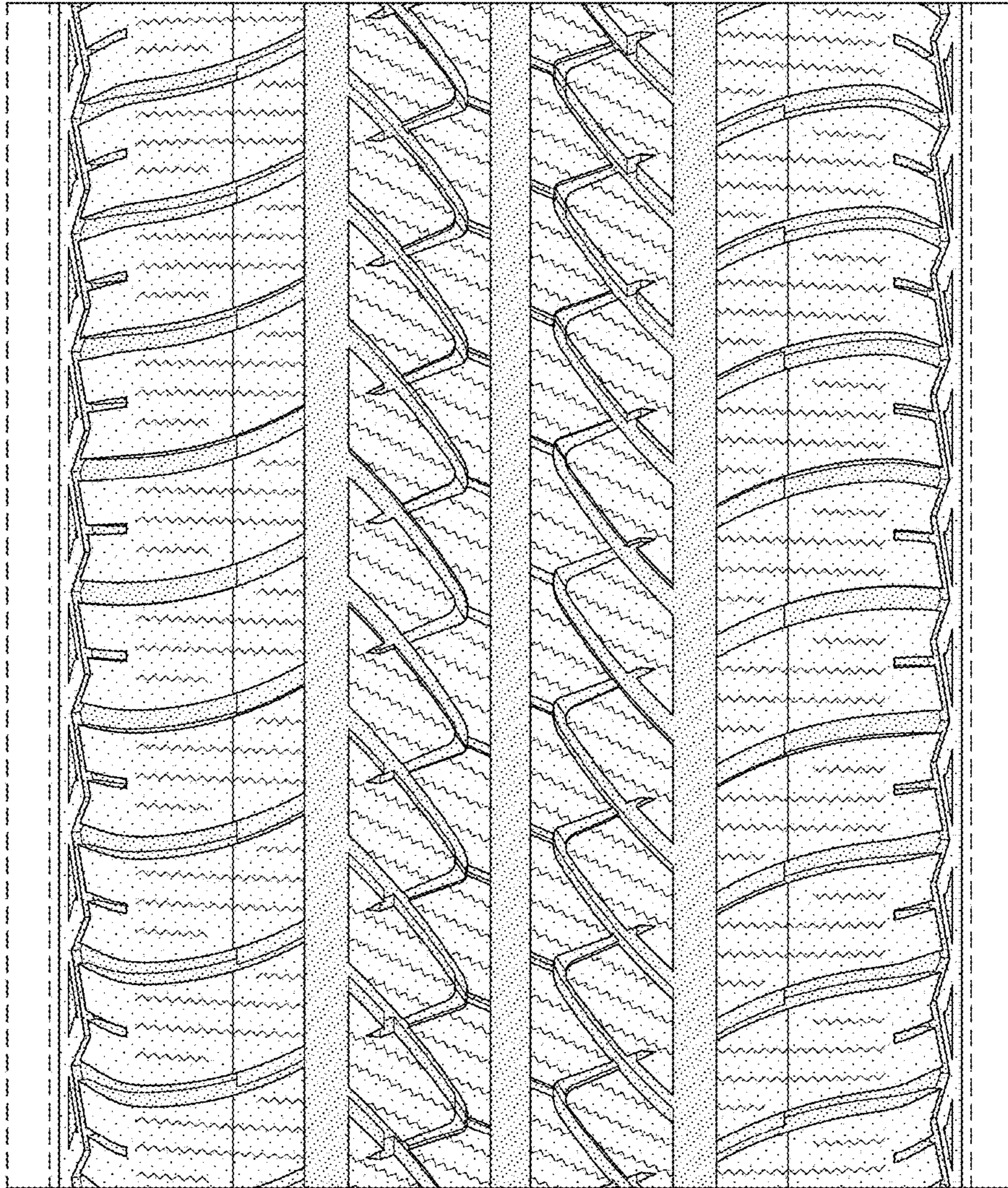


FIG-4

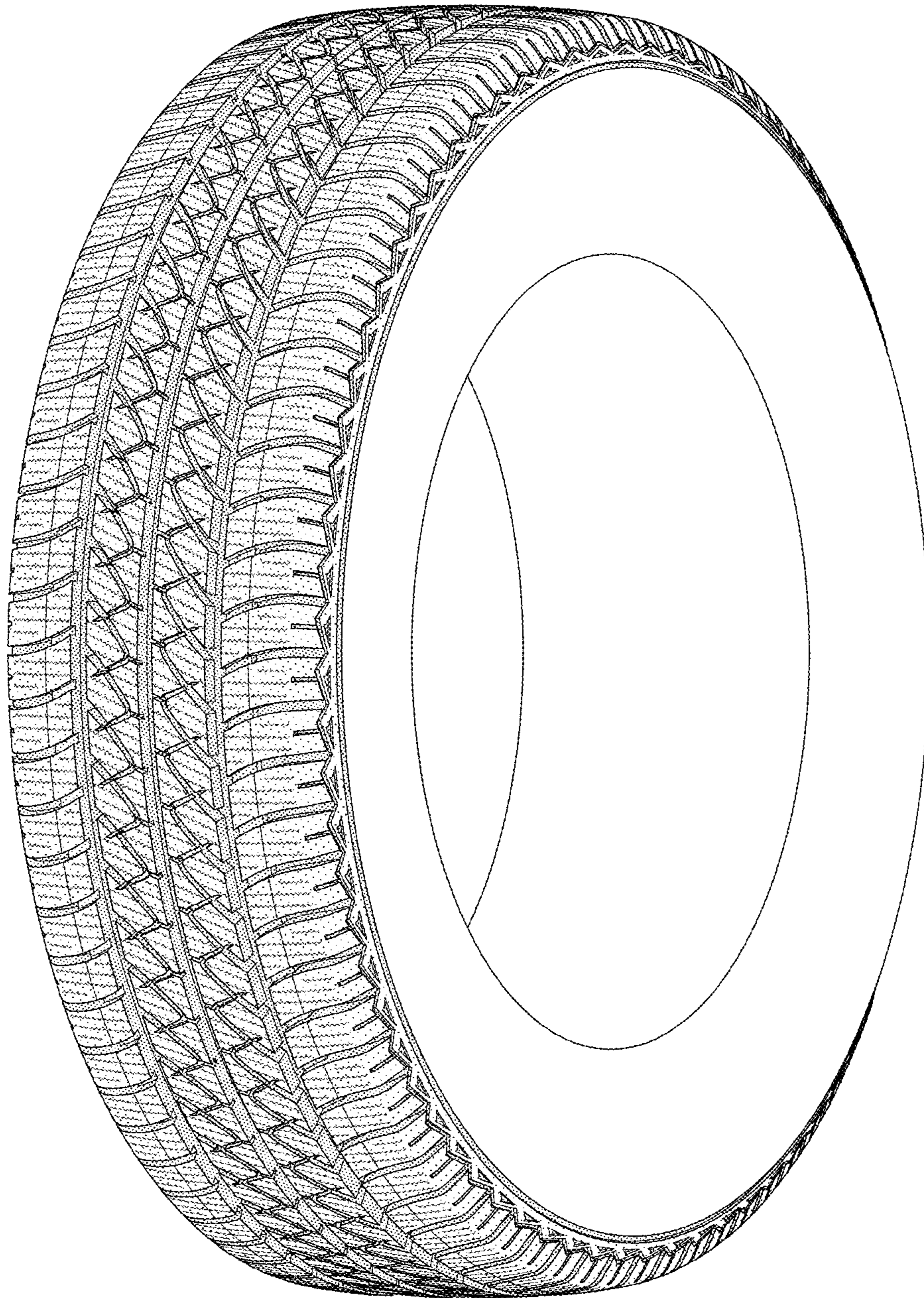


FIG-5

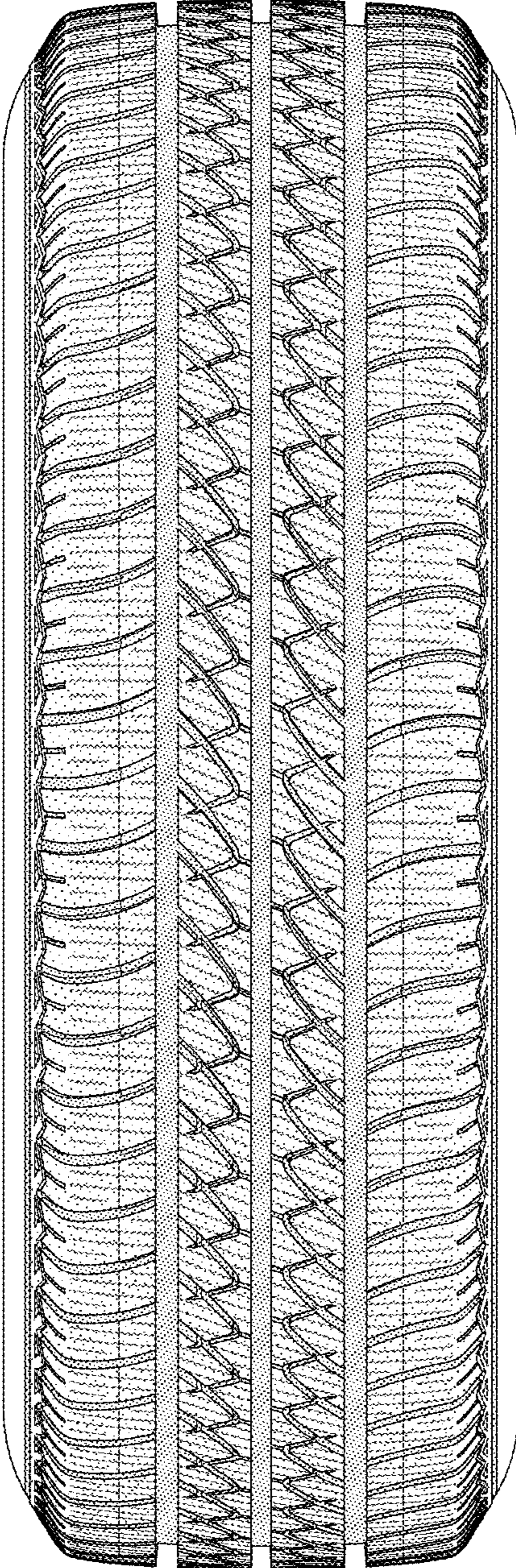


FIG-6