



US00D799409S

(12) **United States Design Patent**  
**Yonetsu**

(10) **Patent No.:** **US D799,409 S**

(45) **Date of Patent:** **\*\* Oct. 10, 2017**

(54) **TIRE**

(71) Applicant: **Toyo Tire & Rubber Co., Ltd.**,  
Osaka-shi, Osaka (JP)

(72) Inventor: **Isao Yonetsu**, Osaka (JP)

(73) Assignee: **Toyo Tire & Rubber Co., Ltd.**, Osaka  
(JP)

(\*\*) Term: **15 Years**

(21) Appl. No.: **29/572,178**

(22) Filed: **Jul. 26, 2016**

(30) **Foreign Application Priority Data**

Feb. 10, 2016 (JP) ..... 2016-002849

(51) **LOC (10) Cl.** ..... **12-15**

(52) **U.S. Cl.**  
USPC ..... **D12/585**

(58) **Field of Classification Search**

USPC ..... D12/582, 583, 585, 596, 602, 604  
CPC . B60C 11/03; B60C 11/04; B60C 2011/0344;  
B60C 2011/0346; B60C 2011/0374  
See application file for complete search history.

(56) **References Cited**

**U.S. PATENT DOCUMENTS**

D323,801 S *	2/1992	Kajita .....	D12/585
D404,694 S *	1/1999	Himuro .....	D12/585
D446,480 S *	8/2001	Guspodin .....	D12/603
D534,860 S *	1/2007	Moriya .....	D12/585
D613,237 S *	4/2010	Mukai .....	D12/585
D648,670 S *	11/2011	Yonetsu .....	D12/585
D673,109 S *	12/2012	Miyazaki .....	D12/584
D682,776 S *	5/2013	Miyazaki .....	D12/585

9,045,009 B2 *	6/2015	Asayama .....	B60C 11/03
D753,054 S *	4/2016	Fujita .....	D12/585
D766,815 S *	9/2016	Shima .....	D12/585
D767,479 S *	9/2016	Shimomura .....	D12/585

**FOREIGN PATENT DOCUMENTS**

JP	1468641	5/2013
JP	1469183	5/2013

\* cited by examiner

*Primary Examiner* — Robert M Spear

(74) *Attorney, Agent, or Firm* — Sterne, Kessler,  
Goldstein & Fox P.L.L.C.

(57) **CLAIM**

The ornamental design for a tire, as shown and described.

**DESCRIPTION**

FIG. 1 is a perspective view of a tire showing the claimed design;

FIG. 2 is a front view thereof, the rear view being the same;  
FIG. 3 is a top plan view thereof, the bottom plan view being the same;

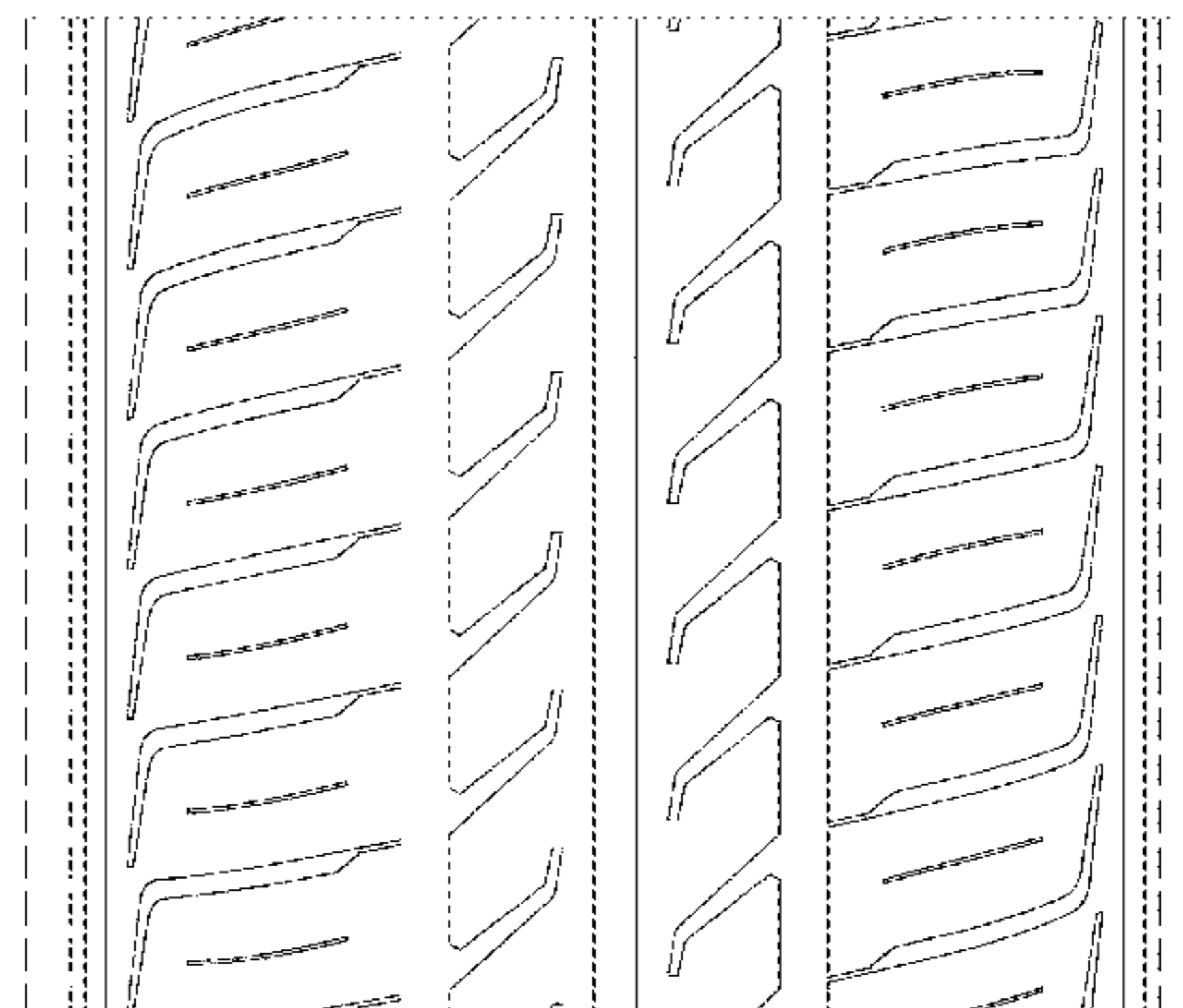
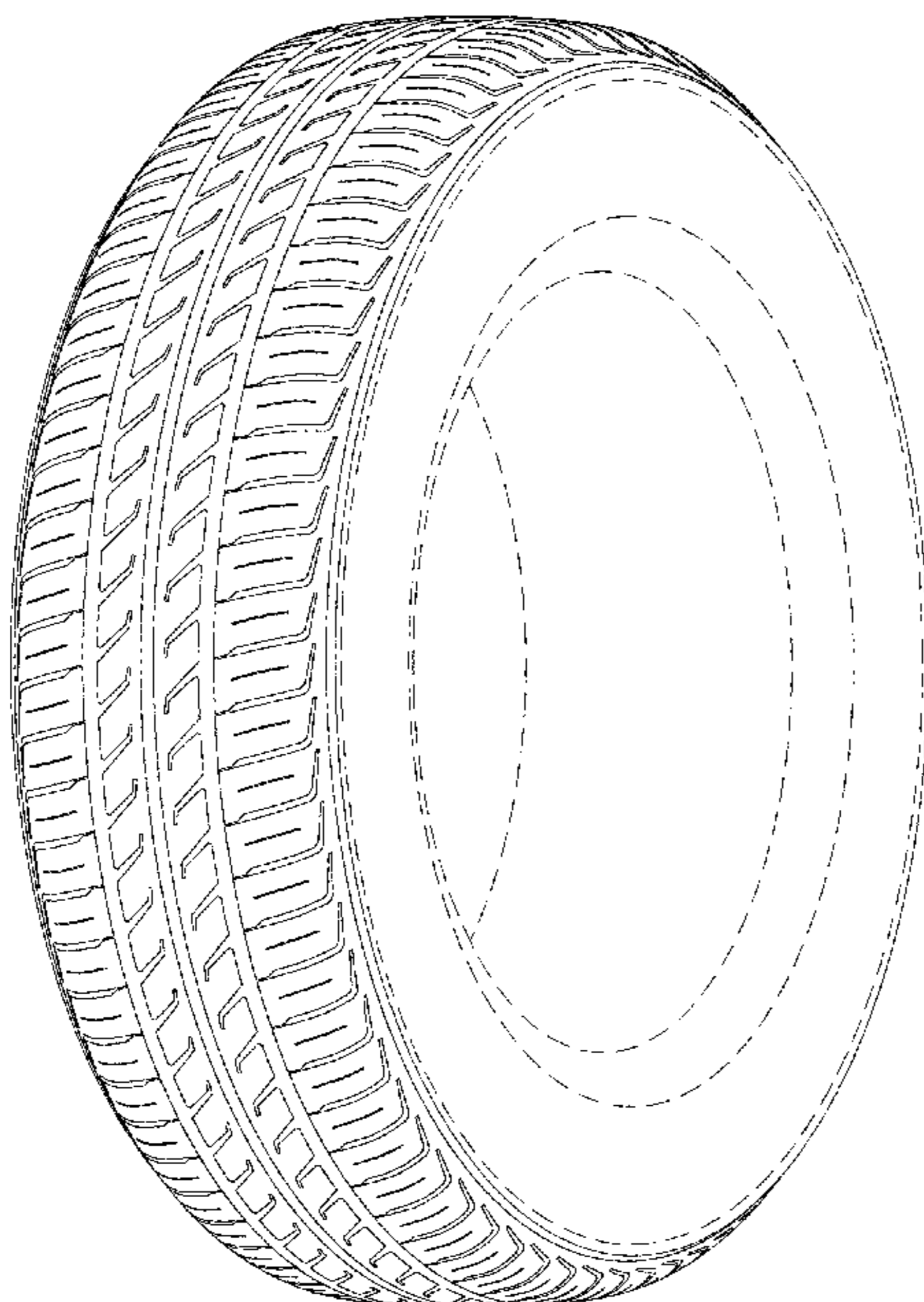
FIG. 4 is a right side view thereof, the left side view being the same;

FIG. 5 is an enlarged cross-sectional view taken along line 5-5 in FIG. 2; and,

FIG. 6 is an enlarged view of the portion between 6-6 and 6'-6' in FIG. 2.

In the drawings, the broken lines showing portions of the sidewall, inner bead, and peripheral boundary depict portions of the tire that form no part of the claimed design.

**1 Claim, 6 Drawing Sheets**



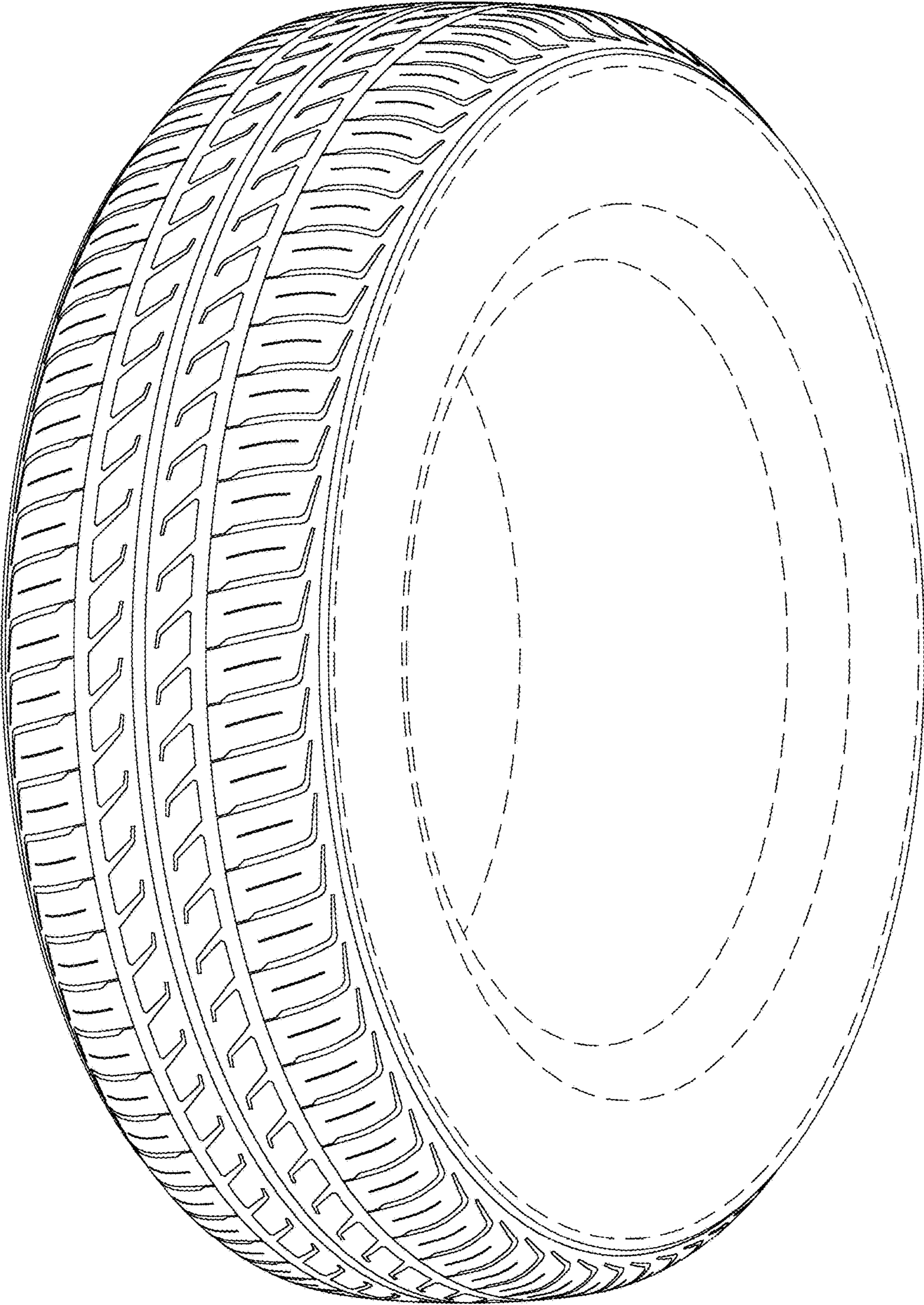


FIG. 1

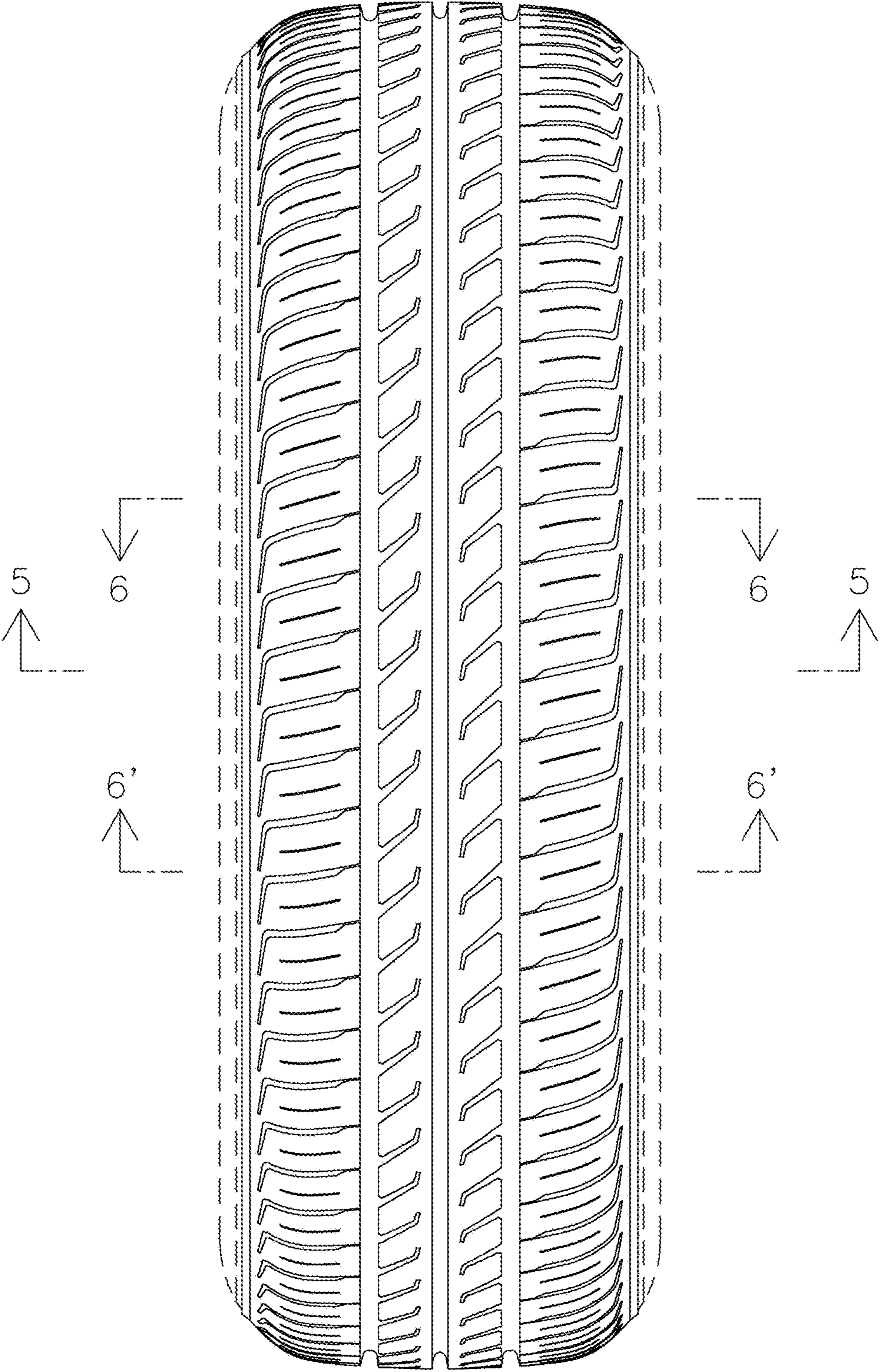


FIG. 2

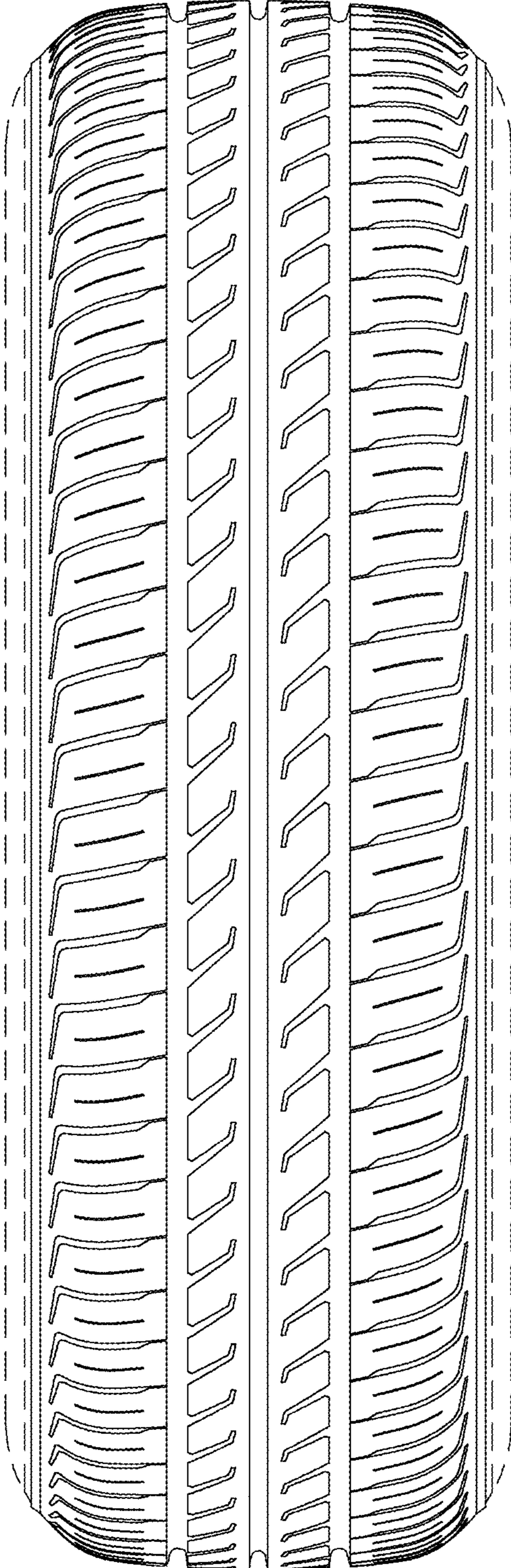


FIG. 3

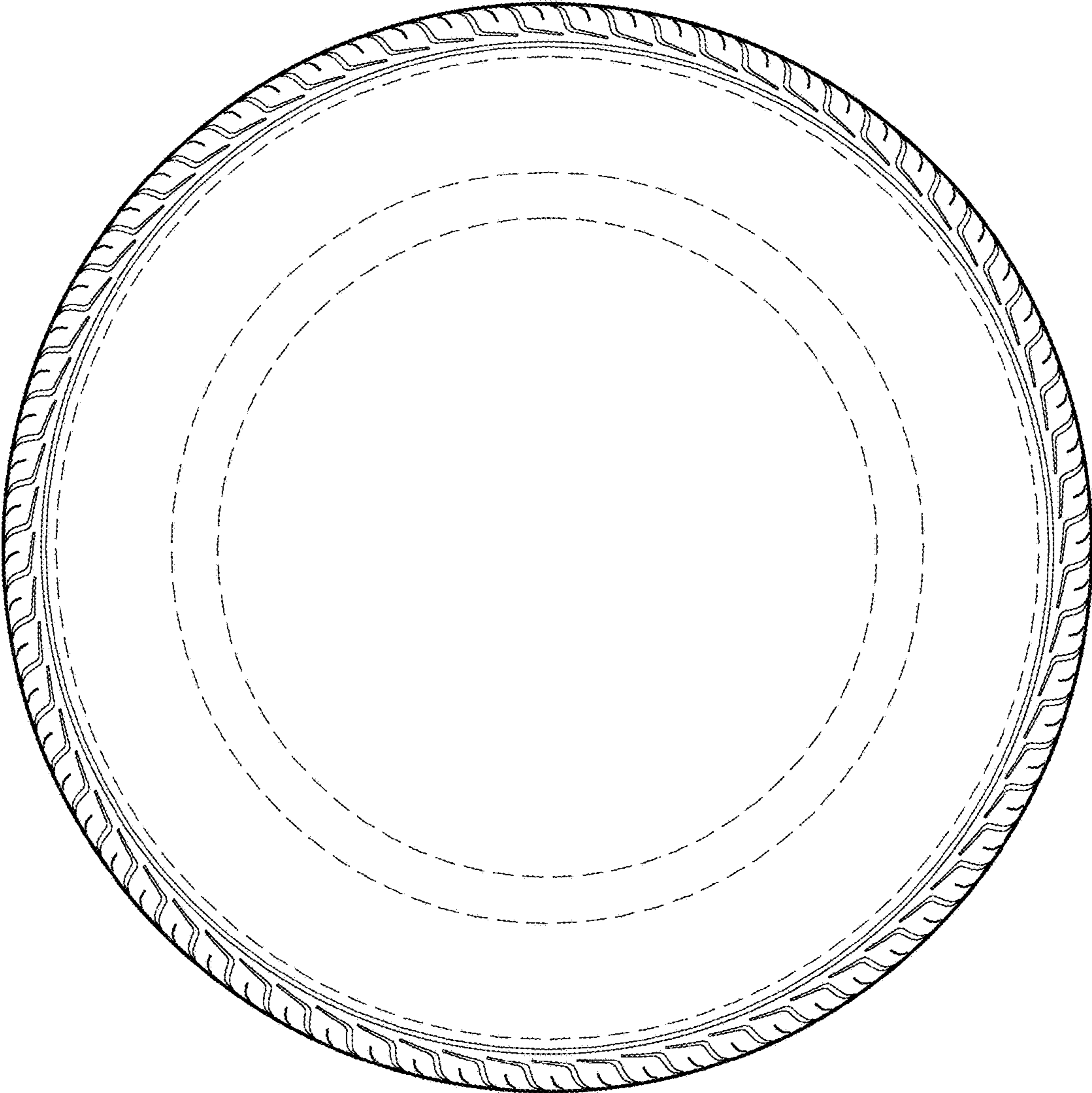


FIG. 4

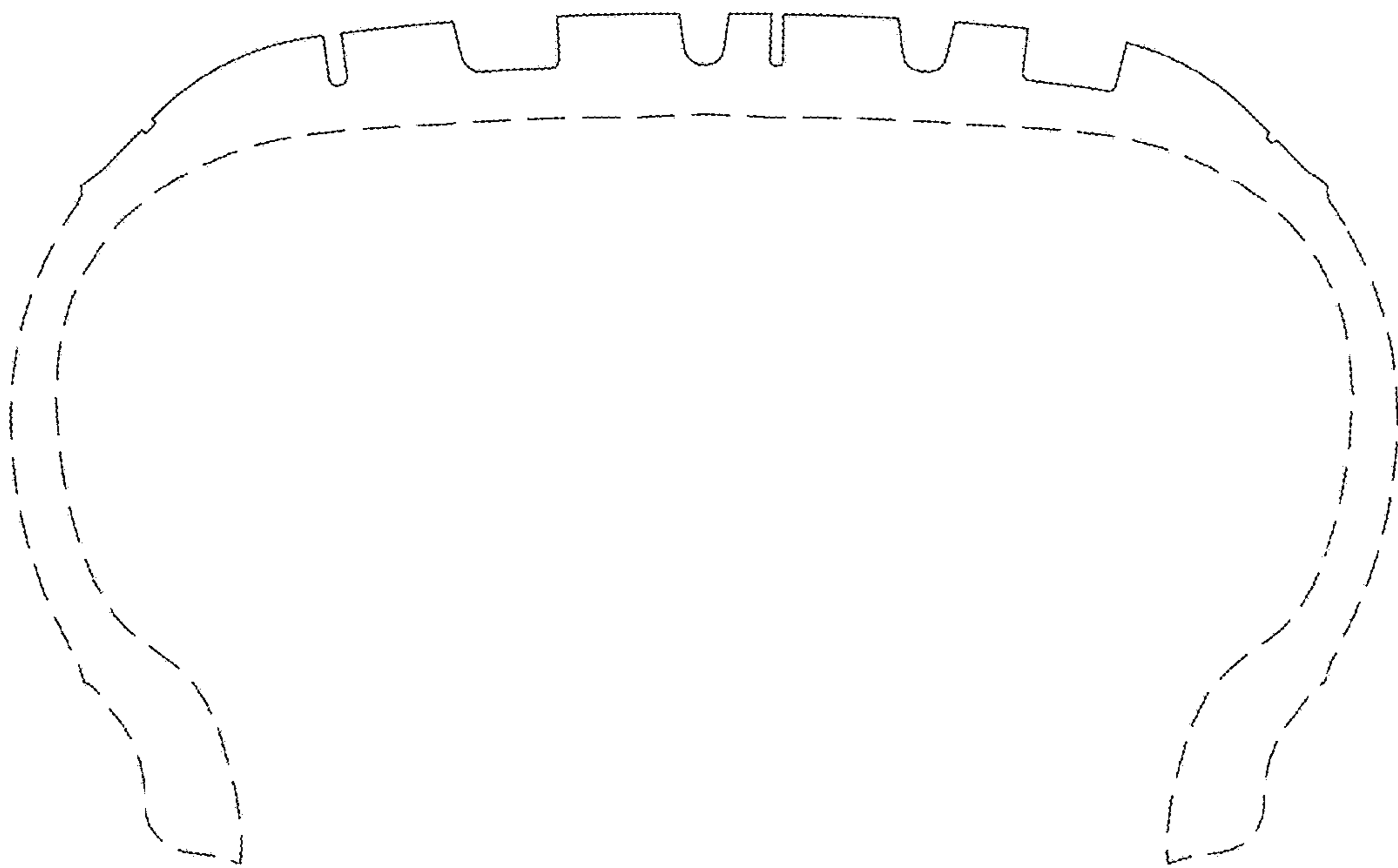


FIG. 5

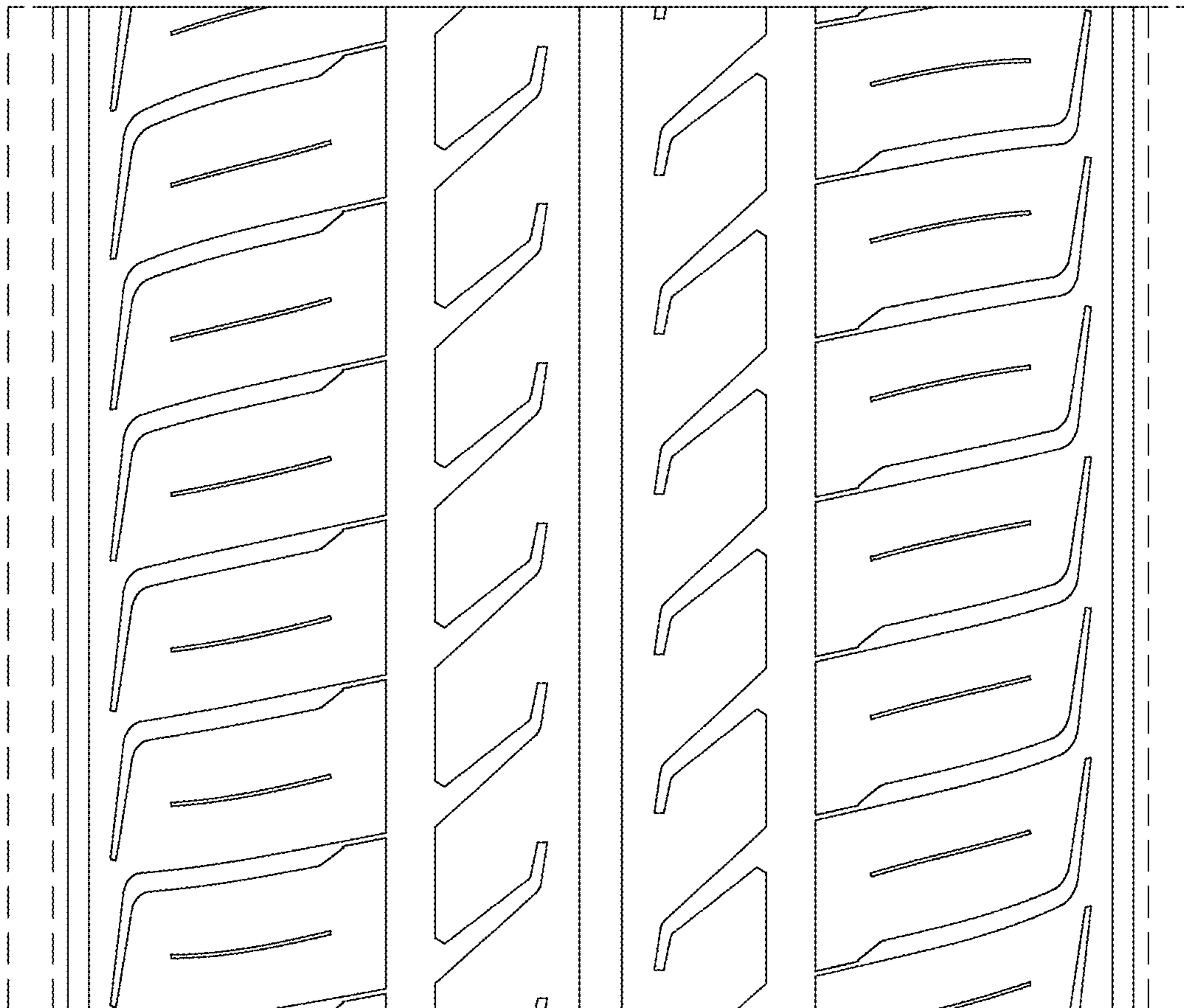


FIG. 6