



US00D799408S

(12) **United States Design Patent** (10) **Patent No.:** **US D799,408 S**
Hasegawa (45) **Date of Patent:** **** Oct. 10, 2017**

(54) **TIRE TREAD**
 (71) Applicant: **BRIDGESTONE CORPORATION,**
 Tokyo (JP)

D735,641 S * 8/2015 Hasegawa D12/567
 D761,719 S * 7/2016 Hironaka D12/564
 D761,720 S * 7/2016 Hironaka D12/564
 D781,217 S * 3/2017 Hasegawa D12/566
 D782,961 S * 4/2017 Hasegawa D12/566

(72) Inventor: **Tomoo Hasegawa,** Tokyo (JP)
 (73) Assignee: **BRIDGESTONE CORPORATION,**
 Tokyo (JP)

FOREIGN PATENT DOCUMENTS

JP 1539609 S 12/2015
 JP 1540658 S 12/2015

(**) Term: **15 Years**

OTHER PUBLICATIONS

(21) Appl. No.: **29/579,264**

Japanese Office Action for counterpart Japanese Design Application 2016-007074, dated Jul. 26, 2016.

(22) Filed: **Sep. 29, 2016**

* cited by examiner

(30) **Foreign Application Priority Data**

Mar. 30, 2016 (JP) 2016-007074

(51) **LOC (10) Cl.** **12-15**

(52) **U.S. Cl.**
 USPC **D12/534**

(58) **Field of Classification Search**
 USPC D12/533-537, 539, 543, 545
 CPC B60C 1/0016; B60C 3/06; B60C 9/17;
 B60C 11/0306; B60C 11/0302; B60C
 11/11; B60C 2011/0346; B60C
 2011/0365; B60C 2011/0369; B60C
 2011/0381

See application file for complete search history.

(56) **References Cited**

U.S. PATENT DOCUMENTS

D346,992 S * 5/1994 Haas D12/535
 D469,735 S * 2/2003 Board D12/534
 D470,099 S * 2/2003 Board D12/534
 D499,695 S * 12/2004 Tanabe B60C 11/0311
 D12/603
 D503,671 S * 4/2005 Nakamura D12/534
 D555,075 S * 11/2007 Hirano D12/534
 D564,441 S * 3/2008 Itoi D12/534
 D722,013 S * 2/2015 Hironaka D12/564

Primary Examiner — Mary Ann Calabrese
Assistant Examiner — Messina L Smith
 (74) *Attorney, Agent, or Firm* — Sughrue Mion, PLLC

(57) **CLAIM**

The ornamental design for a tire tread, as shown and described.

DESCRIPTION

FIG. 1 is a perspective view of a tire tread showing my design;
 FIG. 2 is a front view thereof;
 FIG. 3 is a top view thereof;
 FIG. 4 is a right view thereof;
 FIG. 5 is a left side view thereof;
 FIG. 6 is a fragmentary enlarged front view taken at line 6-6 and 6-6 in FIG. 2 showing the details of the tread thereof;
 FIG. 7 is a cross-sectional view taken along line 7-7 in FIG. 6; and,
 FIG. 8 is a cross-sectional view taken along line 8-8 in FIG. 6.
 The broken lines in the drawings depict portions of the tire tread that form no part of the claimed design.

1 Claim, 8 Drawing Sheets

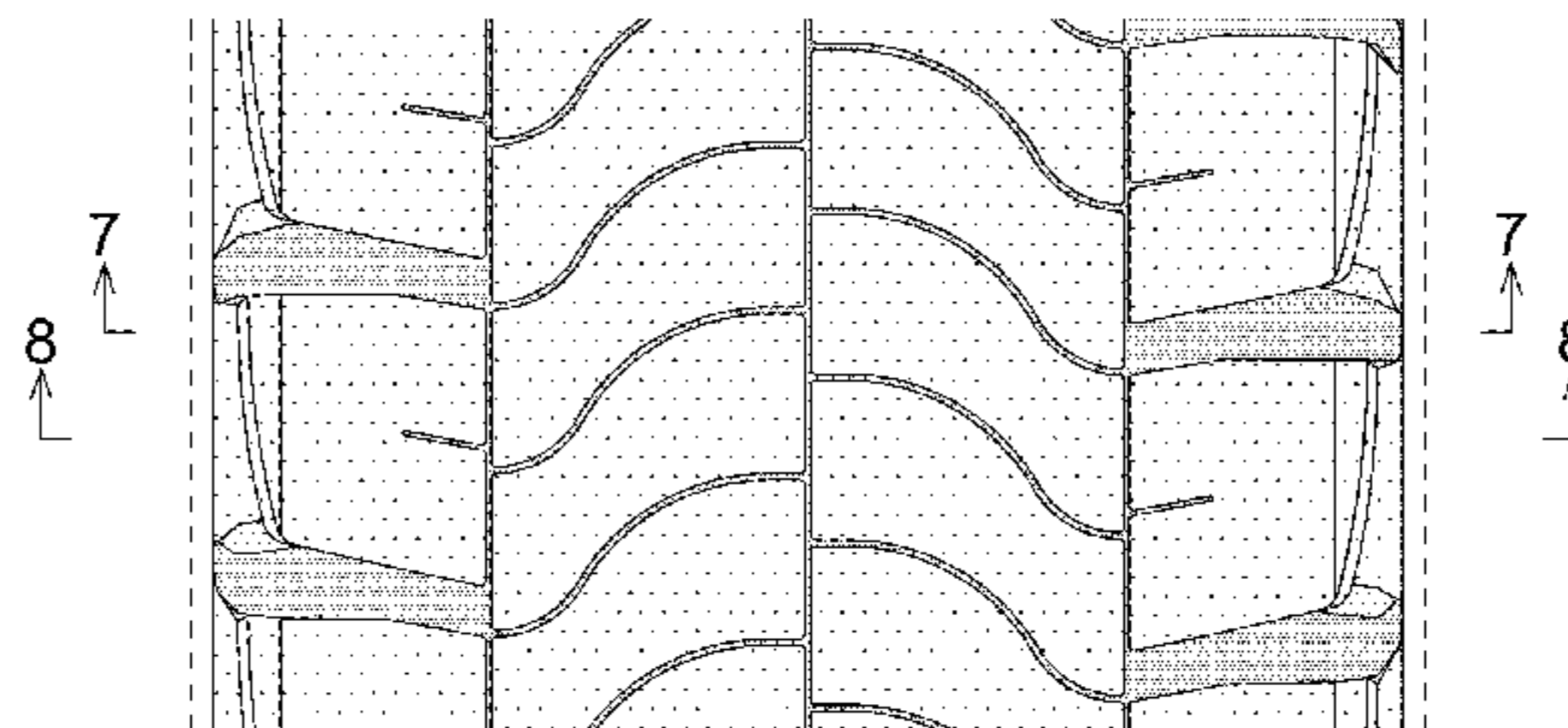
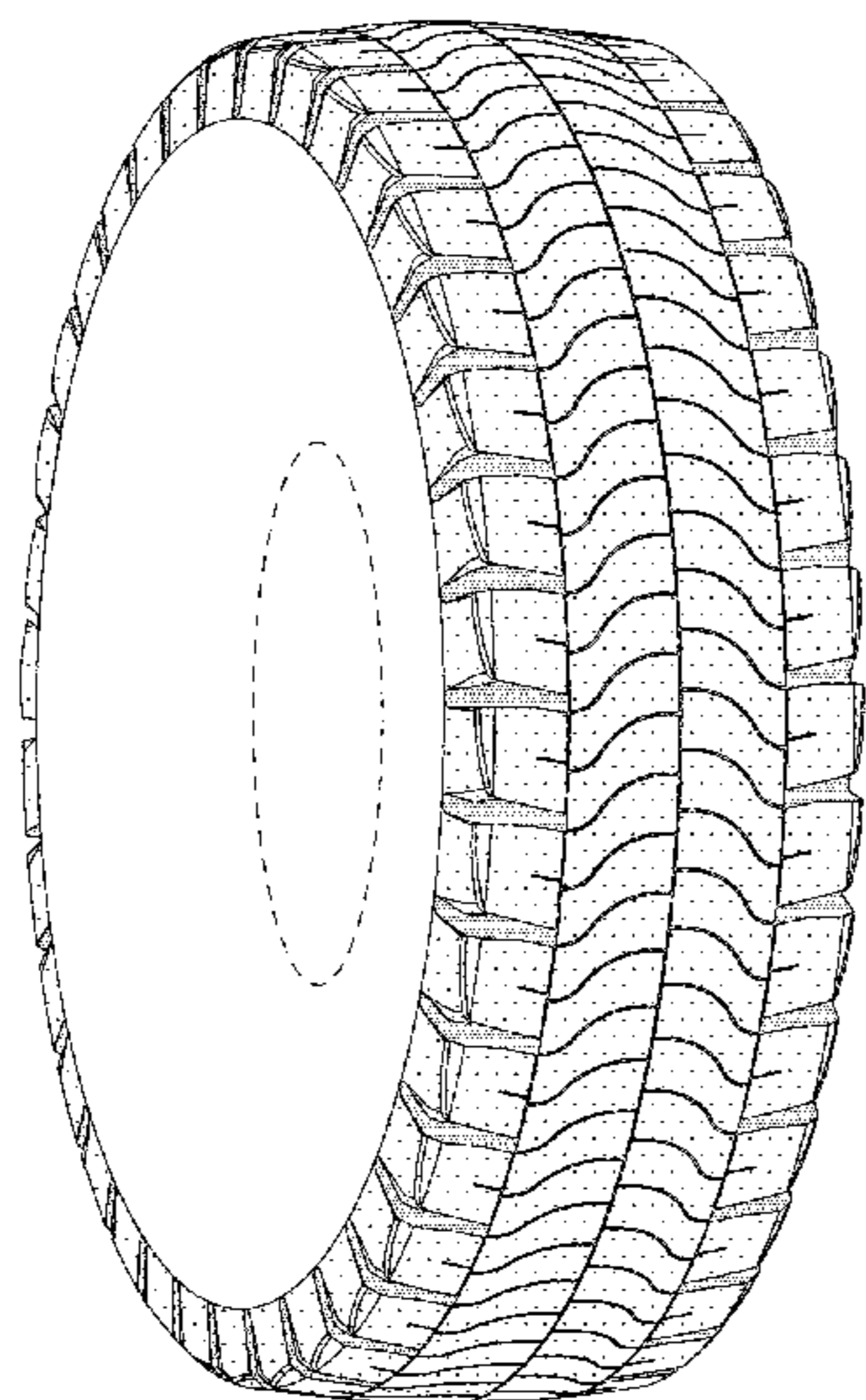


FIG. 1

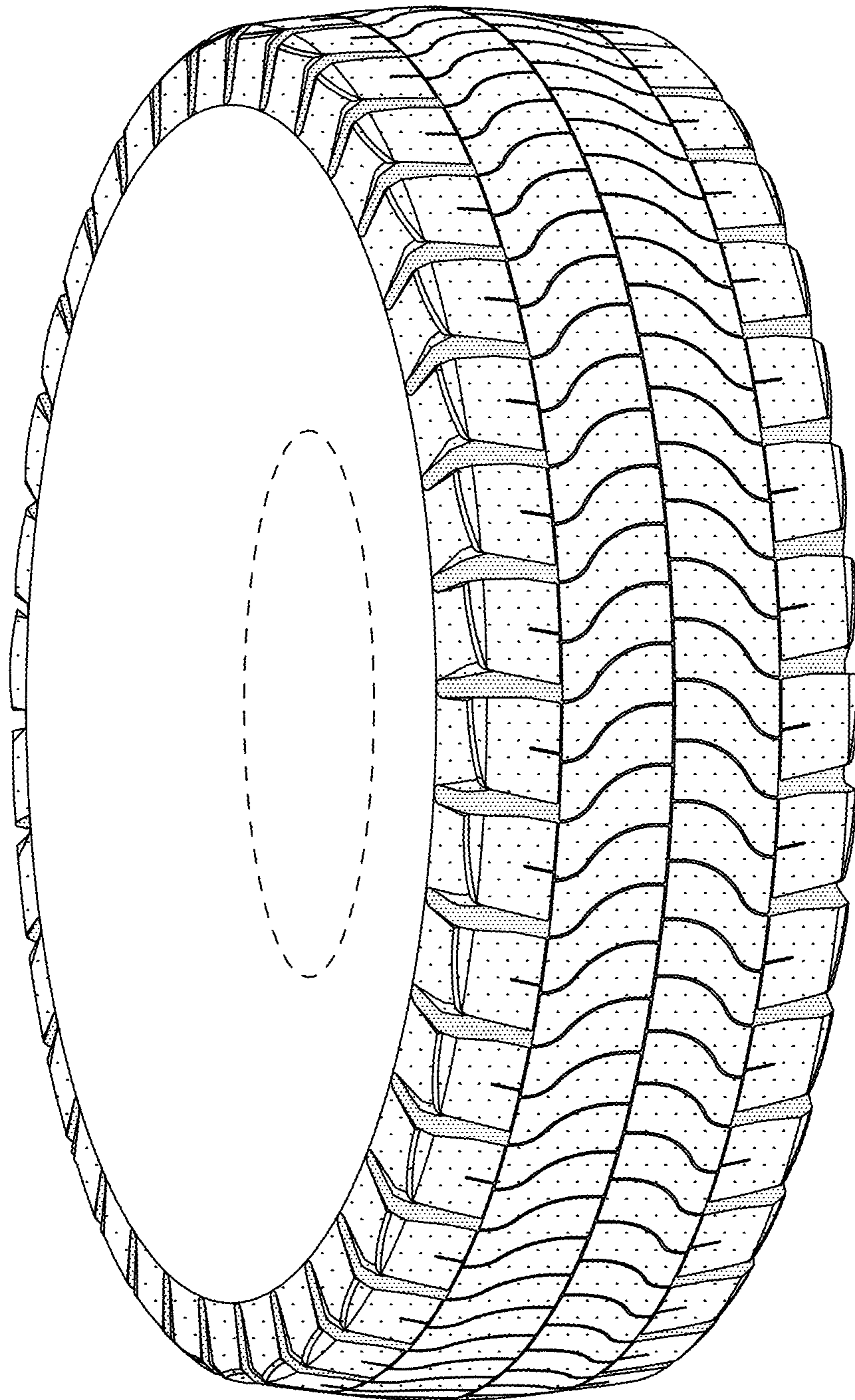


FIG. 2

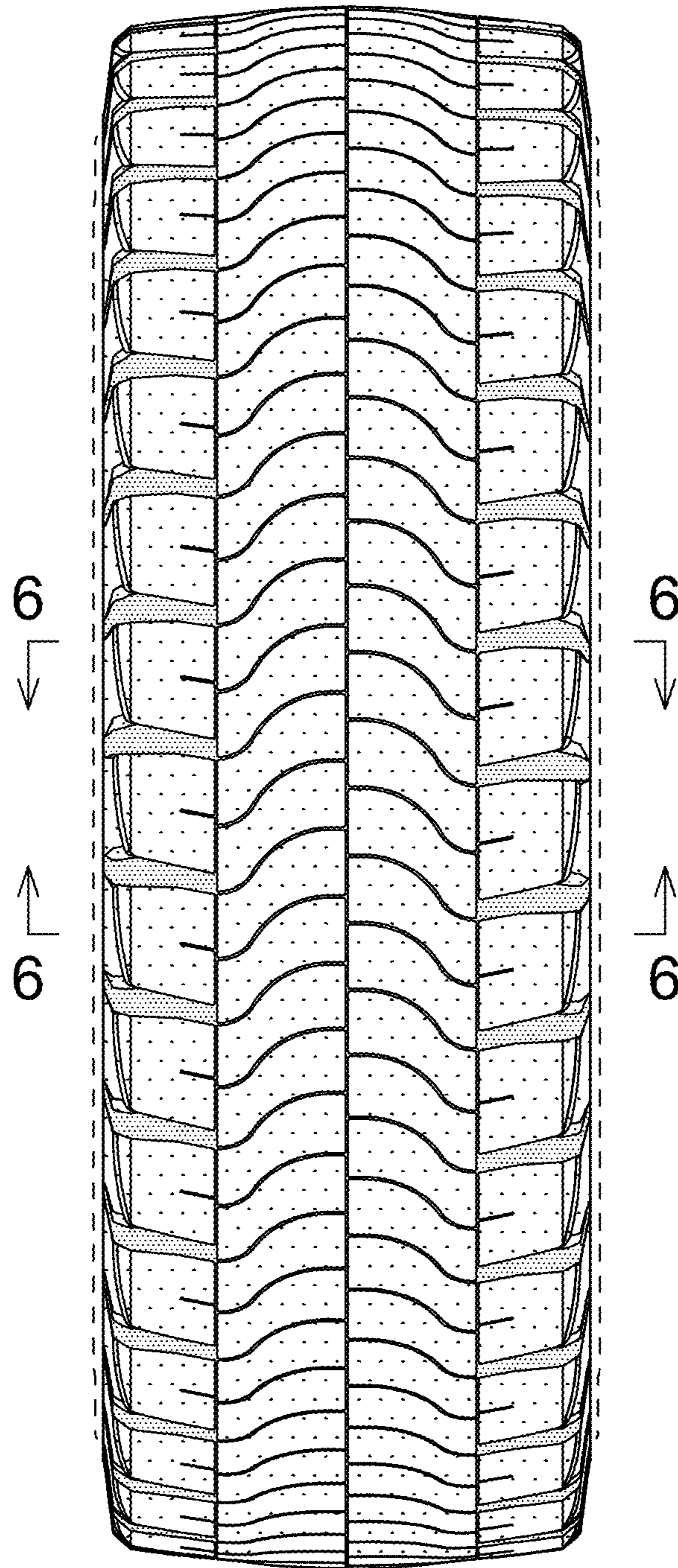


FIG. 3

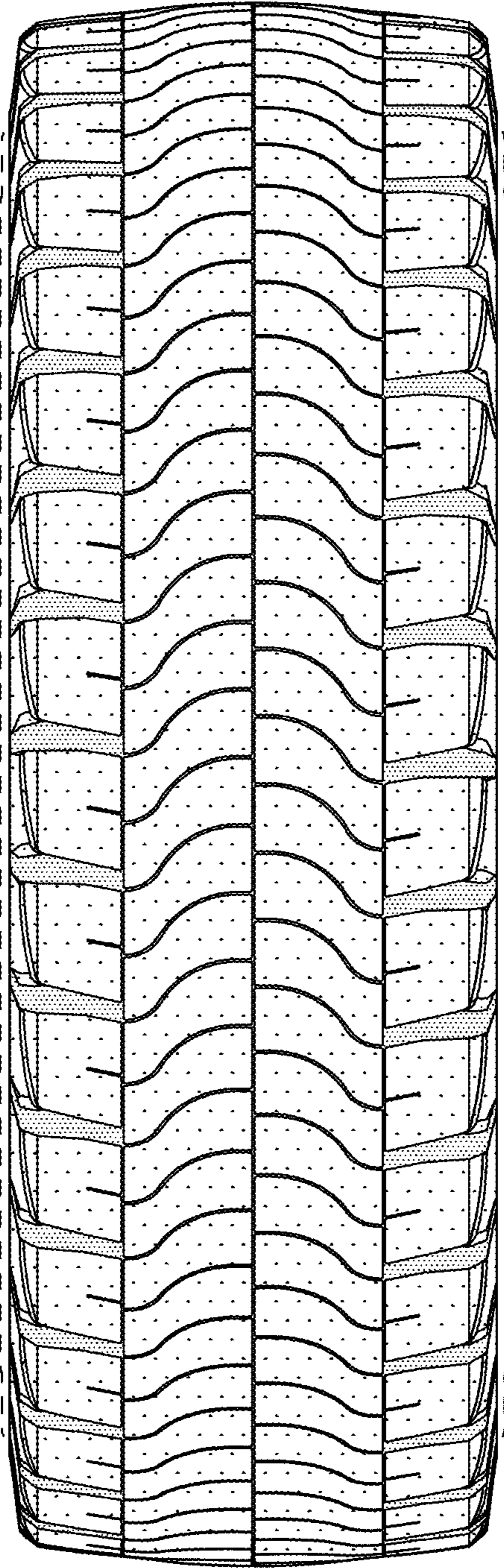


FIG. 4

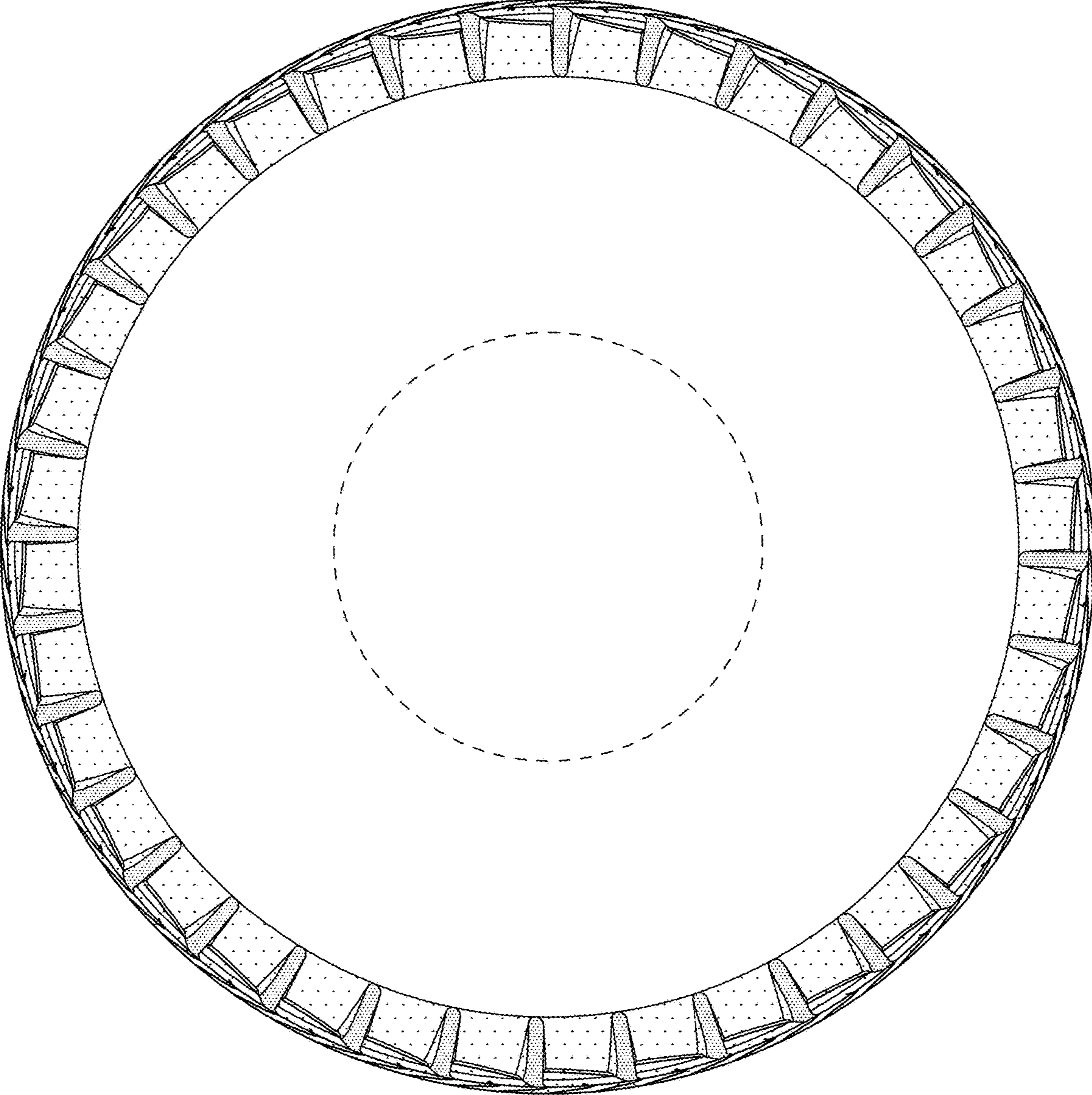


FIG. 5

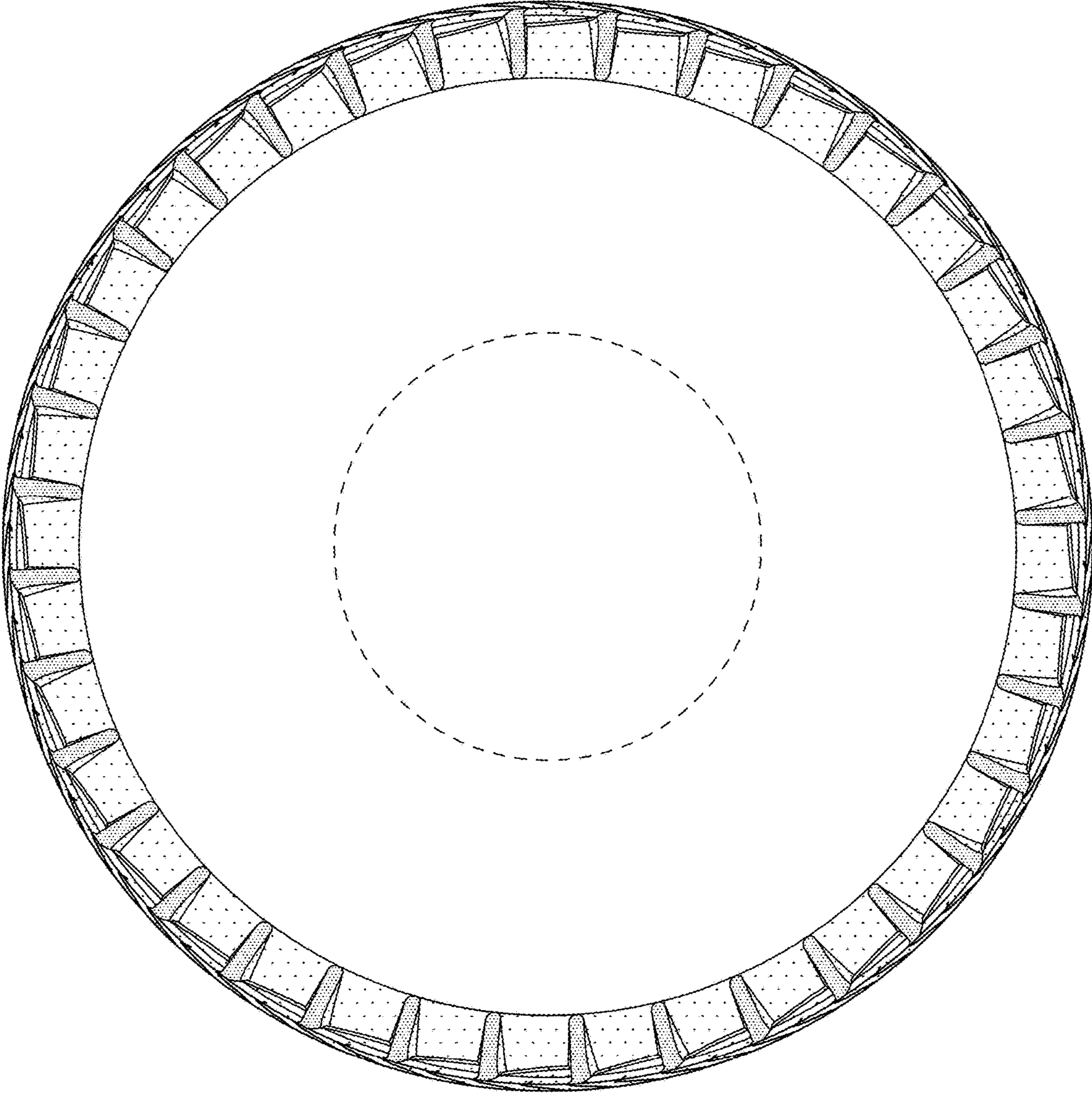


FIG. 6

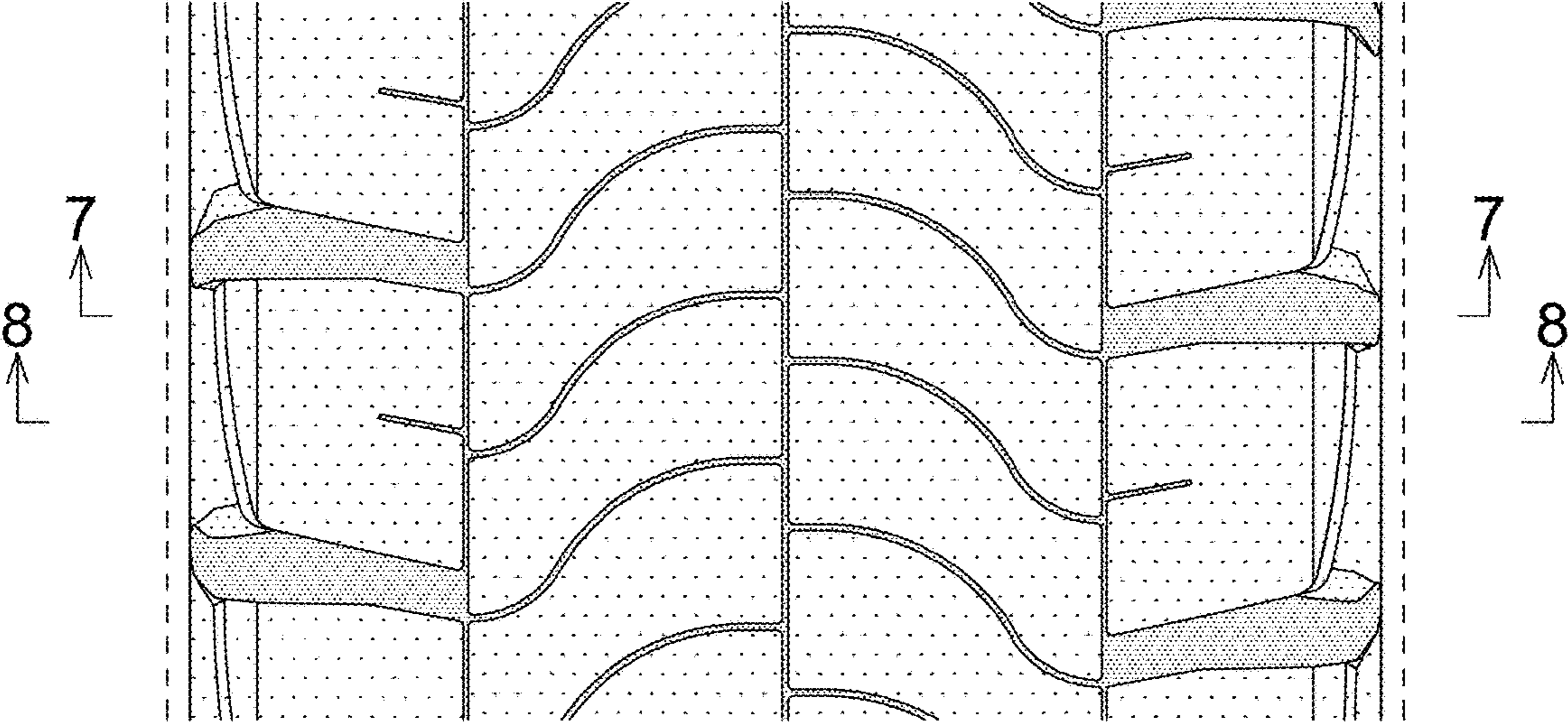


FIG. 7

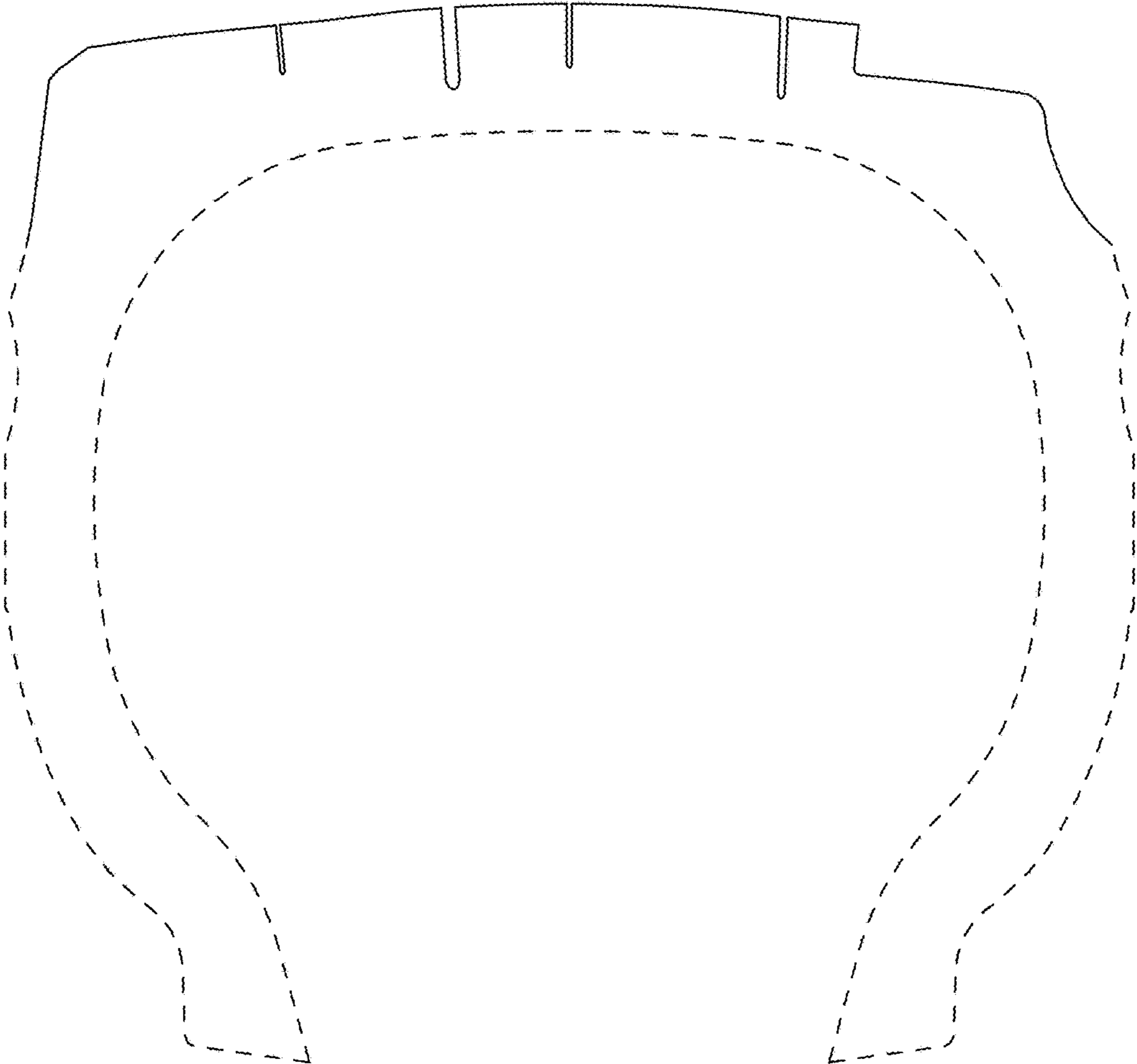


FIG. 8

