



US00D799404S

(12) **United States Design Patent** (10) **Patent No.:** **US D799,404 S**  
**Coyle et al.** (45) **Date of Patent:** **\*\* Oct. 10, 2017**

- (54) **INTEGRATED TAILGATE LINER AND GAME APPARATUS**
- (71) Applicant: **Penda Corporation**, Portage, WI (US)
- (72) Inventors: **Devin Coyle**, Waunakee, WI (US);  
**Anthony C. Wangelin**, DeForest, WI (US)
- (73) Assignee: **Penda Corporation**, Portage, WI (US)
- (\*\*) Term: **15 Years**
- (21) Appl. No.: **29/587,445**
- (22) Filed: **Dec. 13, 2016**

**Related U.S. Application Data**

- (62) Division of application No. 29/569,366, filed on Jun. 27, 2016, which is a division of application No. 29/506,649, filed on Oct. 17, 2014, now Pat. No. Des. 761,185.
- (51) **LOC (10) Cl.** ..... **12-16**
- (52) **U.S. Cl.**  
USPC ..... **D12/331**
- (58) **Field of Classification Search**  
USPC .... D12/221, 98; D9/431, 433, 44, 420, 422,  
D9/423, 424  
CPC .. B60R 99/00; B60R 5/00; B60R 7/04; B60N  
2/30  
See application file for complete search history.

(56) **References Cited**

**U.S. PATENT DOCUMENTS**

D259,928 S	7/1981	Weis et al.
4,333,678 A	6/1982	Munoz et al.
5,372,397 A	12/1994	Arndt et al.
D391,545 S	3/1998	Arndt et al.
6,237,980 B1	5/2001	Miles et al.
D479,499 S	9/2003	Fournier et al.

D494,521 S *	8/2004	Metros	.....	D12/196
D494,910 S *	8/2004	Metros	.....	D12/196
D499,064 S	11/2004	Hall et al.		
D527,697 S *	9/2006	Metros	.....	D12/196
D546,267 S	7/2007	Dickinson et al.		
D560,584 S *	1/2008	Tant	.....	D12/196
7,325,807 B1	2/2008	Eason et al.		
7,451,709 B2	11/2008	Swartfager et al.		
D613,325 S *	4/2010	Lo	.....	D16/222
D614,556 S *	4/2010	Wu	.....	D12/196
7,805,959 B2	10/2010	Webb et al.		
8,006,980 B1	8/2011	Herro et al.		
D644,979 S	9/2011	Wenrick et al.		

(Continued)

**OTHER PUBLICATIONS**

“Beer Pong Tables”, <http://www.bpong.com/store/product-category/beer-pong-tables/>, printout dated Jun. 17, 2014, 3 pages.

(Continued)

*Primary Examiner* — Katrina A Betton

(74) *Attorney, Agent, or Firm* — Boardman & Clark LLP

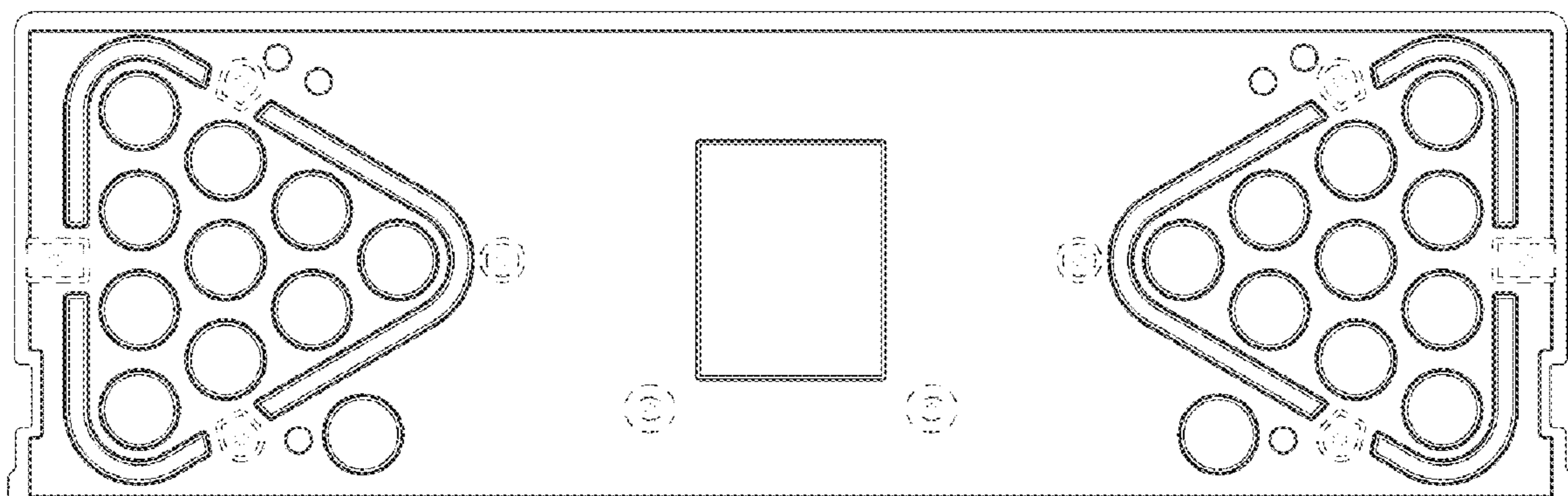
(57) **CLAIM**

The ornamental design for an integrated tailgate liner and game apparatus, as shown and described.

**DESCRIPTION**

FIG. 1 is a plan view of the top side of an integrated truck tailgate liner and game apparatus according to the present invention, the bottom side being a formed reverse image of the top side;  
FIG. 2 is a plan view of the rear side of FIG. 1, the front side being a mirror image of the rear side; and,  
FIG. 3 is a plan view of the right side of FIG. 1, the left side being a mirror image of the right side.  
In the drawings, the broken lines depict portions of the article that form no part of the claimed design.

**1 Claim, 1 Drawing Sheet**



(56)

**References Cited**

U.S. PATENT DOCUMENTS

8,028,995 B2 10/2011 Hoffer  
 8,127,689 B2 3/2012 Christian et al.  
 8,146,921 B2 4/2012 Lombardi et al.  
 8,176,745 B1 5/2012 Korza et al.  
 8,205,887 B2 6/2012 Wyland et al.  
 8,235,389 B1 8/2012 Herro et al.  
 D684,515 S \* 6/2013 Oliver ..... 296/26.11  
 8,651,492 B1 2/2014 Cappuccio et al.  
 8,662,501 B1 3/2014 Perales et al.  
 D701,816 S \* 4/2014 Noon ..... D12/221  
 D710,283 S \* 8/2014 O'Donnell ..... D12/196  
 8,996,462 B2 3/2015 Macaskill  
 D758,271 S \* 6/2016 McMahan ..... D12/196  
 D761,185 S 7/2016 Coyle et al.  
 2004/0188942 A1 9/2004 Trokan et al.  
 2005/0029747 A1 2/2005 Grayson et al.  
 2006/0027971 A1 2/2006 Radhakrishnan et al.  
 2011/0204570 A1 8/2011 Lombardi et al.  
 2012/0032402 A1 2/2012 Comee et al.

2012/0071278 A1 3/2012 Mansfield et al.  
 2012/0085269 A1 4/2012 Ohide  
 2012/0256378 A1 10/2012 Brown et al.  
 2013/0134677 A1 5/2013 McDonnell et al.  
 2014/0027983 A1 1/2014 Keebler et al.  
 2014/0103609 A1 4/2014 Miastkowski et al.

OTHER PUBLICATIONS

“Bpong.com We Are Beer Pong,” <http://www.bpong.com/store/bpong-rack-set-2-racks/> printout dated Jun. 17, 2014, 3 pages.  
<http://cdn.bpong.com/wp-content/uploads/1012/03/racks-600>, printout dated Jun. 17, 2014, 1 page.  
<http://cdn.bpong.com/wp-content/uploads/2012/03/rack-with-cups-600>, printout dated Jun. 17, 2014, 1 page.  
 “Official Rules and Regulations of the World Series of Beer Pong,” <http://www.bpong.com/tournament-rules/>, printout dated Jun. 17, 2014, 9 pages.  
 “Typical Beer Pong House Rules,” <http://www.bpong.com/beer-pong-rules/>, printout dated Jun. 17, 2014, 3 pages.

\* cited by examiner

