



US00D799402S

(12) **United States Design Patent**
Cummings

(10) **Patent No.:** **US D799,402 S**

(45) **Date of Patent:** **** Oct. 10, 2017**

(54) **VERTICAL TAKE-OFF AND LANDING AIRCRAFT**

(71) Applicant: **Darold B Cummings**, Coeur D'Alene, ID (US)

(72) Inventor: **Darold B Cummings**, Coeur D'Alene, ID (US)

(**) Term: **15 Years**

(21) Appl. No.: **29/575,627**

(22) Filed: **Aug. 26, 2016**

(51) **LOC (10) Cl.** **12-07**

(52) **U.S. Cl.**
USPC **D12/327**

(58) **Field of Classification Search**
USPC D12/16.1, 319-345; D21/436, 441, 442, D21/443, 446, 447, 448, 449, 450, 451, D21/452, 453, 454
CPC ... B64C 27/20; B64C 27/08; B64C 2201/104; B64C 2201/021; B64C 2201/128; B64C 2201/024; B64C 2201/141; B64C 2201/108; B64C 39/024
See application file for complete search history.

(56) **References Cited**

U.S. PATENT DOCUMENTS

D136,352 S *	9/1943	Hibbard	244/13
D140,919 S *	4/1945	Sutton	244/45 R
D145,898 S *	11/1946	Kartveli	244/13
D151,713 S *	11/1948	Pulver	244/13
D172,969 S *	9/1954	Johnson	D12/341
D181,789 S *	12/1957	Frost	D12/341
D186,087 S *	9/1959	Brown	D12/341
D186,199 S *	9/1959	Burton	D12/340
D186,418 S *	10/1959	Burton	D12/341
3,059,876 A *	10/1962	Platt	B64C 29/0033 244/48
3,073,547 A *	1/1963	Fischer	B64C 11/40 244/48
D195,794 S *	7/1963	Dancik et al.	D12/330

3,136,499 A *	6/1964	Kessler	B64C 11/34 244/60
3,666,209 A *	5/1972	Taylor	B64C 29/0033 244/12.4
D234,079 S *	1/1975	Whitner	D12/331
D264,454 S *	5/1982	Snyder	D12/341
D271,683 S *	12/1983	Clifton	D12/326
D311,719 S *	10/1990	Haga	244/45 A

(Continued)

Primary Examiner — Robert M Spear

Assistant Examiner — Marissa J Cash

(74) *Attorney, Agent, or Firm* — Morland C. Fischer

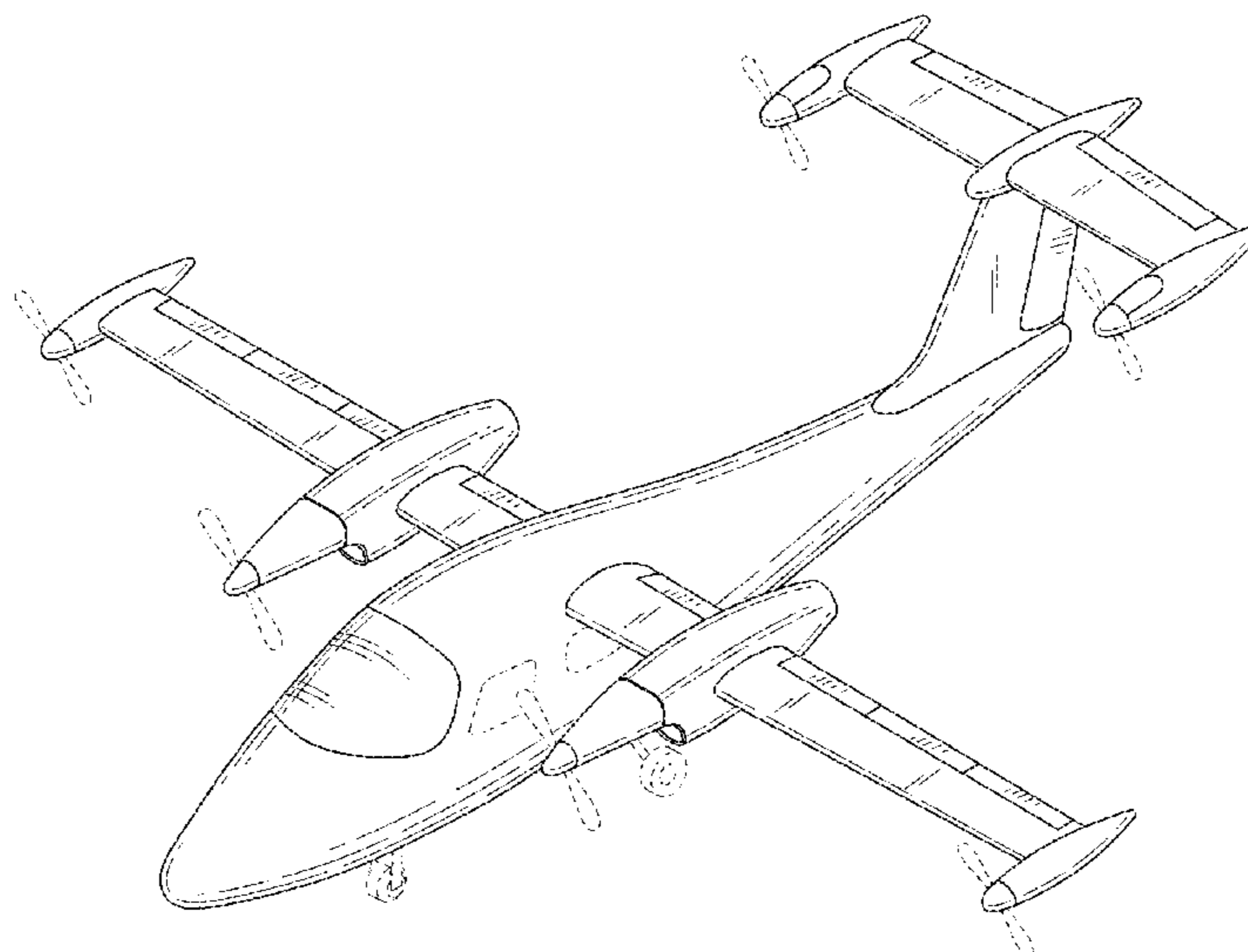
(57) **CLAIM**

The ornamental design for a vertical take-off and landing aircraft, as shown and described.

DESCRIPTION

FIG. 1 is a perspective view showing the top, left side and front of a vertical take-off and landing aircraft with the wings and tail thereof extending horizontally, FIG. 2 is a top plan view thereof; FIG. 3 is a left side elevational view thereof; FIG. 4 is a bottom plan view thereof; FIG. 5 is a right side elevational view thereof; FIG. 6 is a front elevational view thereof; FIG. 7 is a rear elevational view thereof; FIG. 8 is a perspective view showing the top, left side and front thereof with the wings and tail extending vertically; FIG. 9 is a top plan view thereof; FIG. 10 is a left side elevational view thereof; FIG. 11 is a bottom plan view thereof; FIG. 12 is a right side elevational view thereof; FIG. 13 is a front elevational view thereof; and, FIG. 14 is a rear elevational view thereof. The broken lines showing parts of the aircraft depicts environment and forms no part of the claim.

1 Claim, 8 Drawing Sheets



(56)

References Cited

U.S. PATENT DOCUMENTS

D317,287	S *	6/1991	Haga	D12/328
D318,258	S *	7/1991	Haga	D12/344
5,352,090	A *	10/1994	Churchill	G01B 17/04 416/34
D354,936	S *	1/1995	Kraft	D12/339
D358,577	S *	5/1995	Sutter	D12/337
D367,253	S *	2/1996	Albion	D12/326
D394,422	S *	5/1998	Magee	D12/326
D414,740	S *	10/1999	Margaritoff	D12/319
D446,764	S *	8/2001	Panatov	D12/324
6,659,394	B1 *	12/2003	Shenk	B64C 3/385 244/12.4
D498,201	S *	11/2004	Moller	D12/319
7,857,254	B2 *	12/2010	Parks	B64C 15/00 244/12.4
8,038,095	B2 *	10/2011	Herzberger	B64C 25/52 114/274
D665,333	S *	8/2012	Oliver	D12/326
D691,547	S *	10/2013	Hall	D12/319
D739,807	S *	9/2015	Strand	D12/324
D741,247	S *	10/2015	Brody	D12/326
D743,868	S *	11/2015	Cummings	D12/328
D763,733	S *	8/2016	Gattelli	D12/16.1
2014/0339372	A1 *	11/2014	Dekel	B64C 29/0033 244/7 R

* cited by examiner

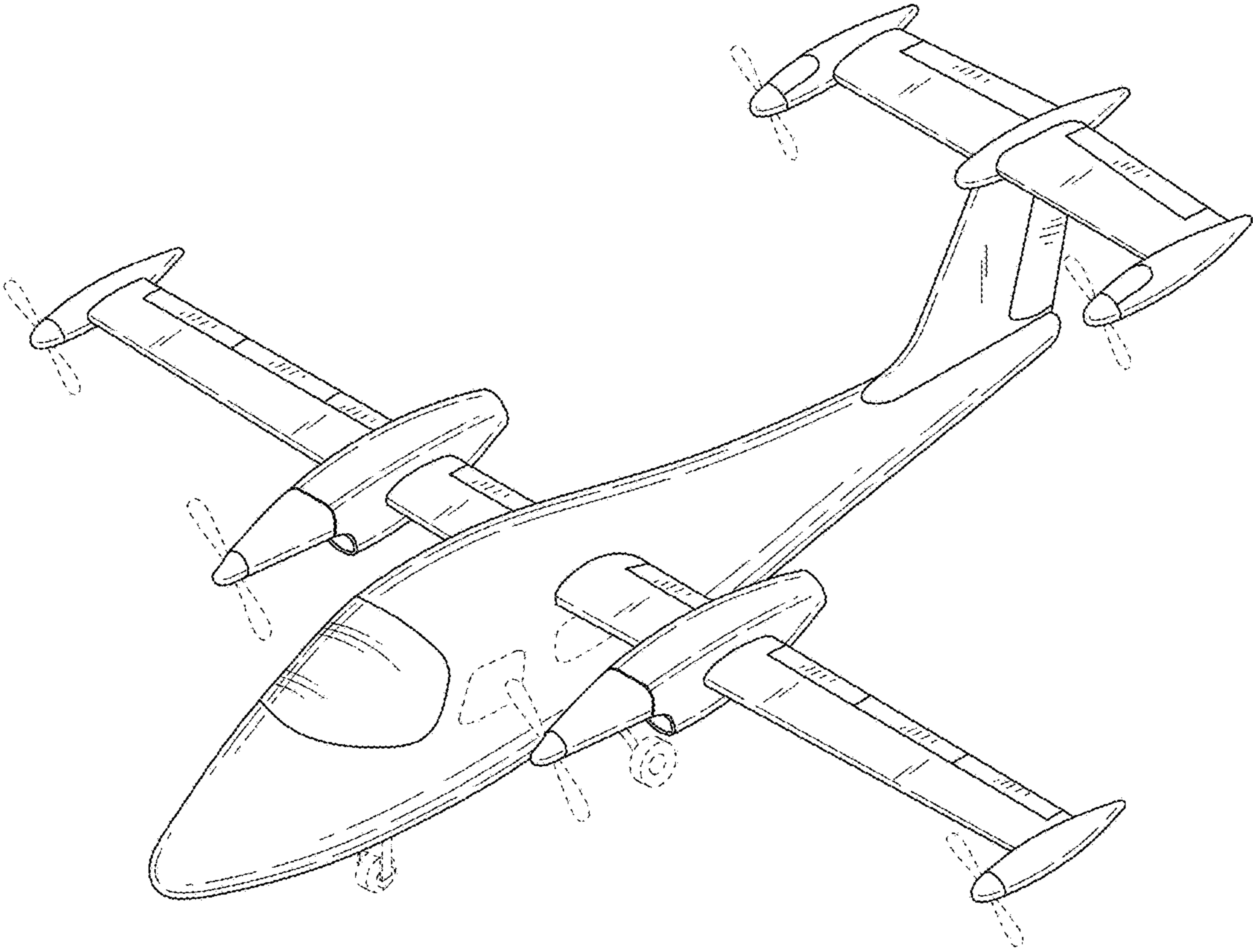


FIG. 1

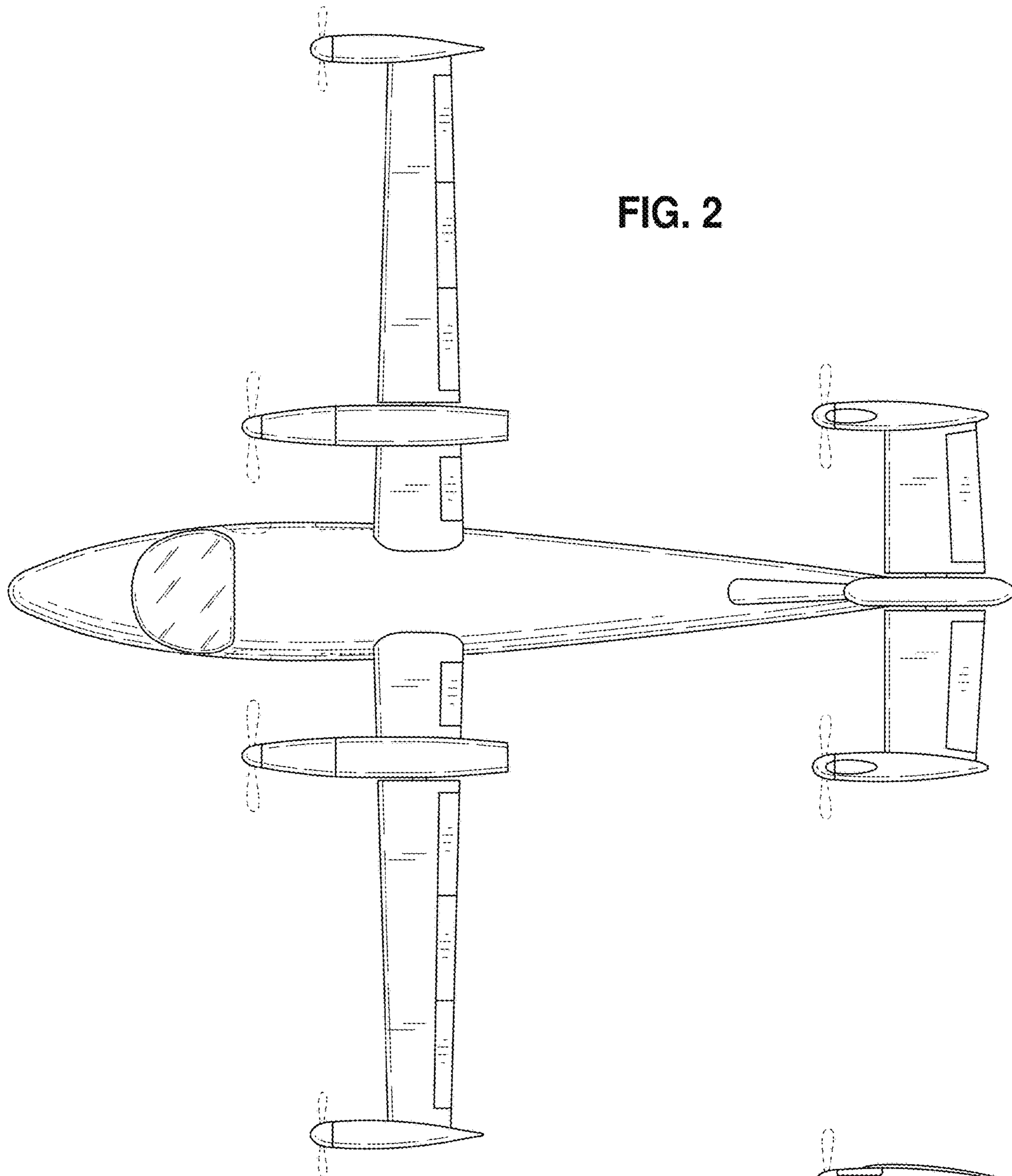


FIG. 2

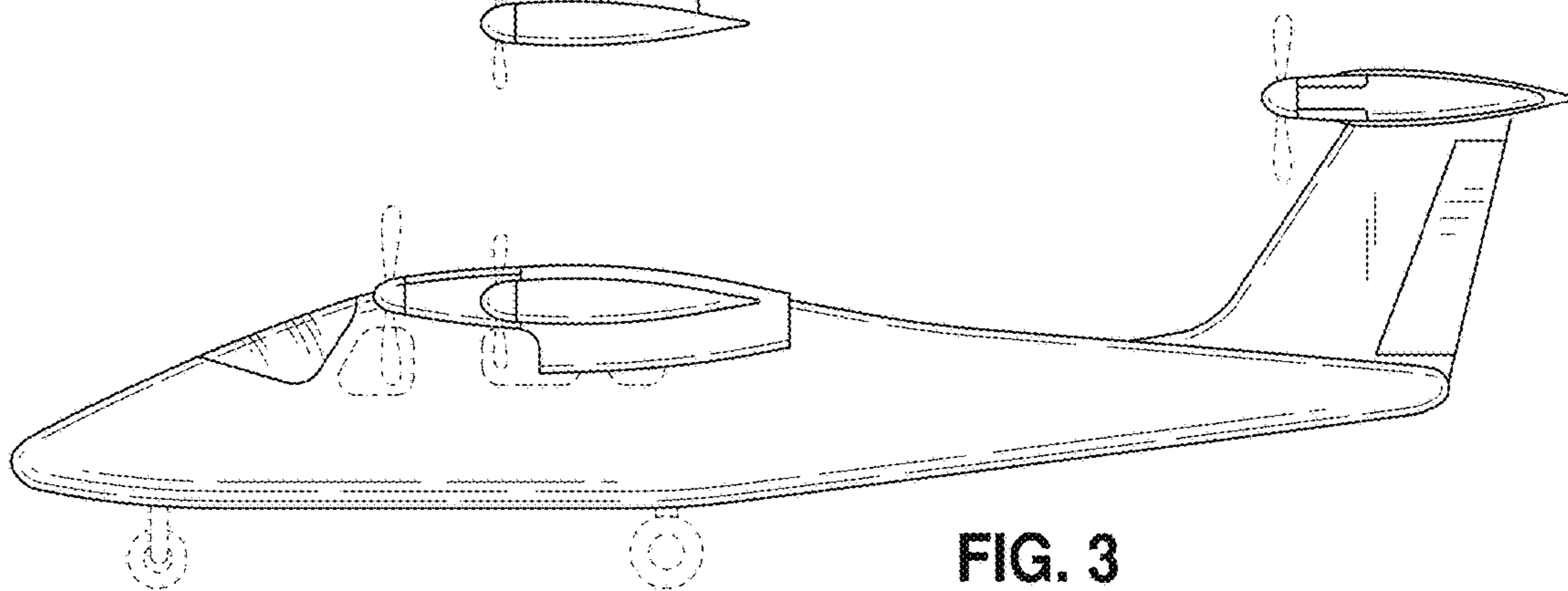


FIG. 3

FIG. 4

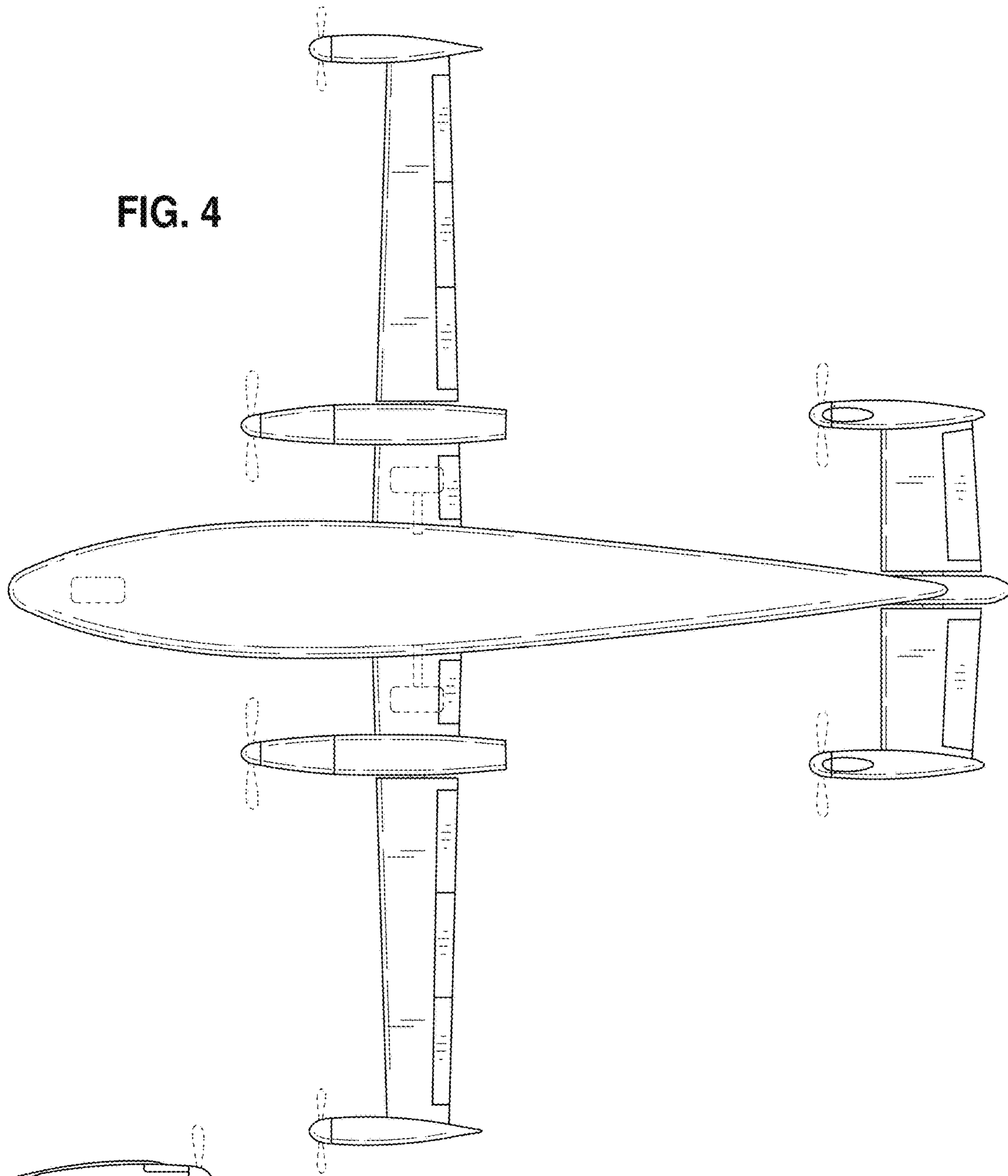
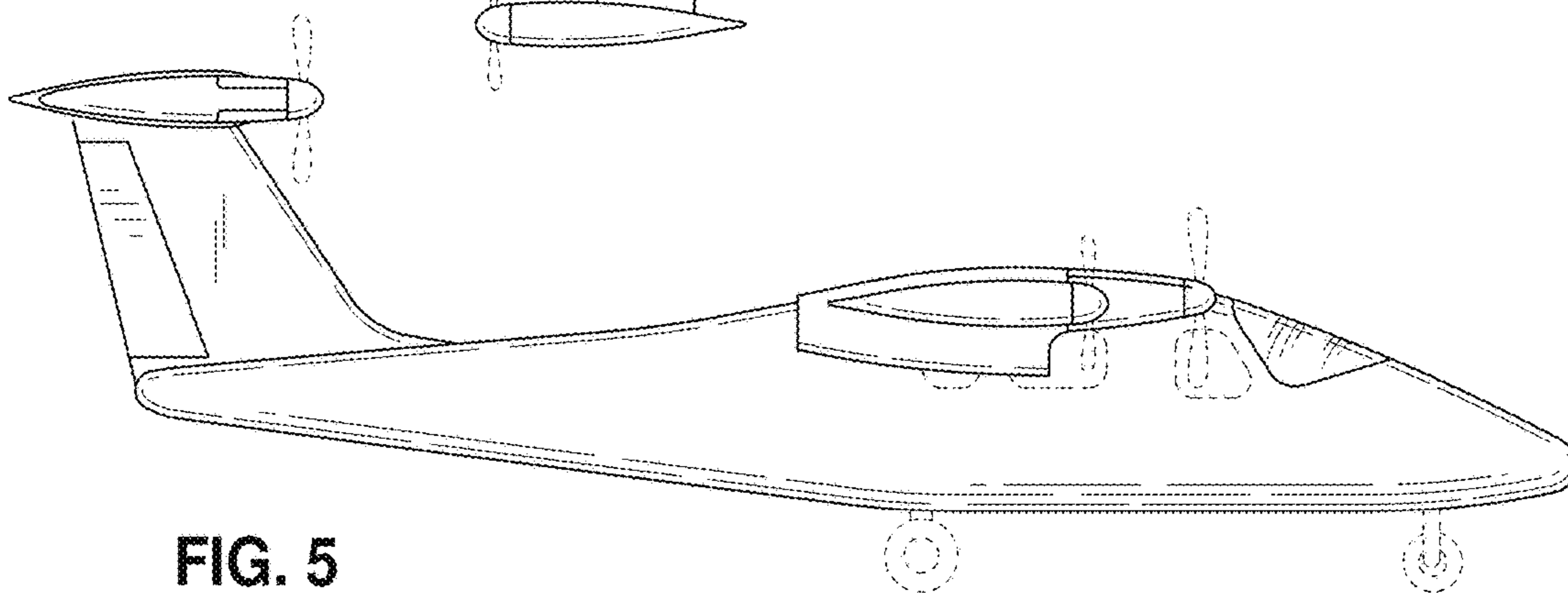


FIG. 5



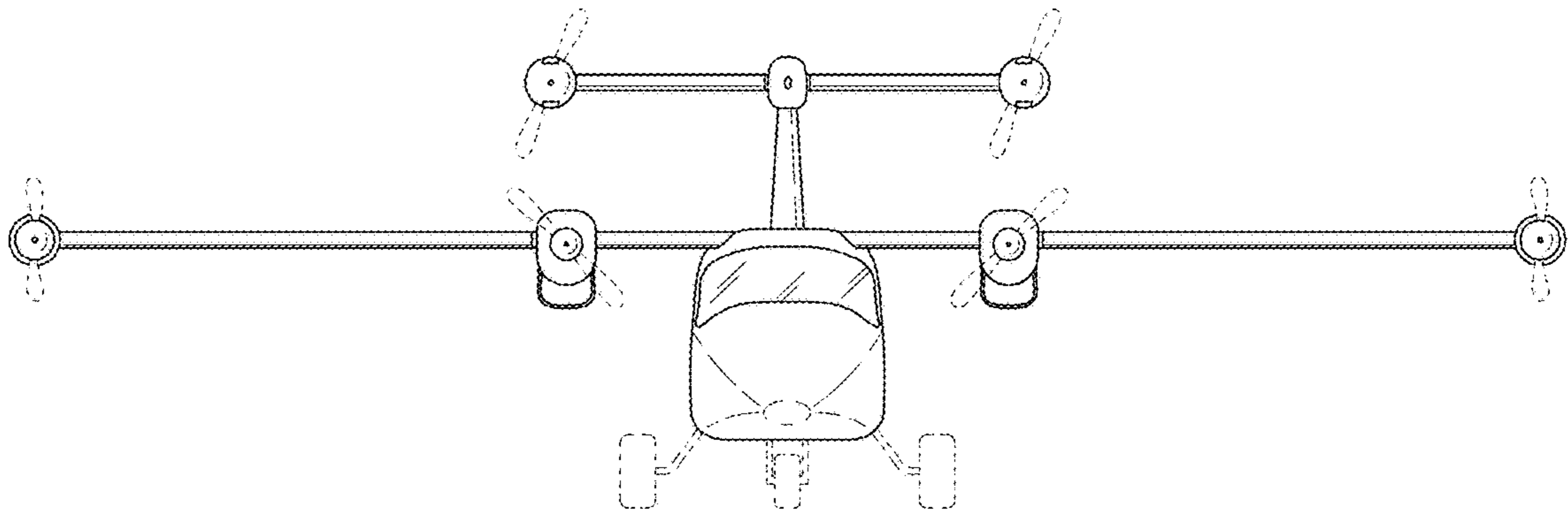


FIG. 6

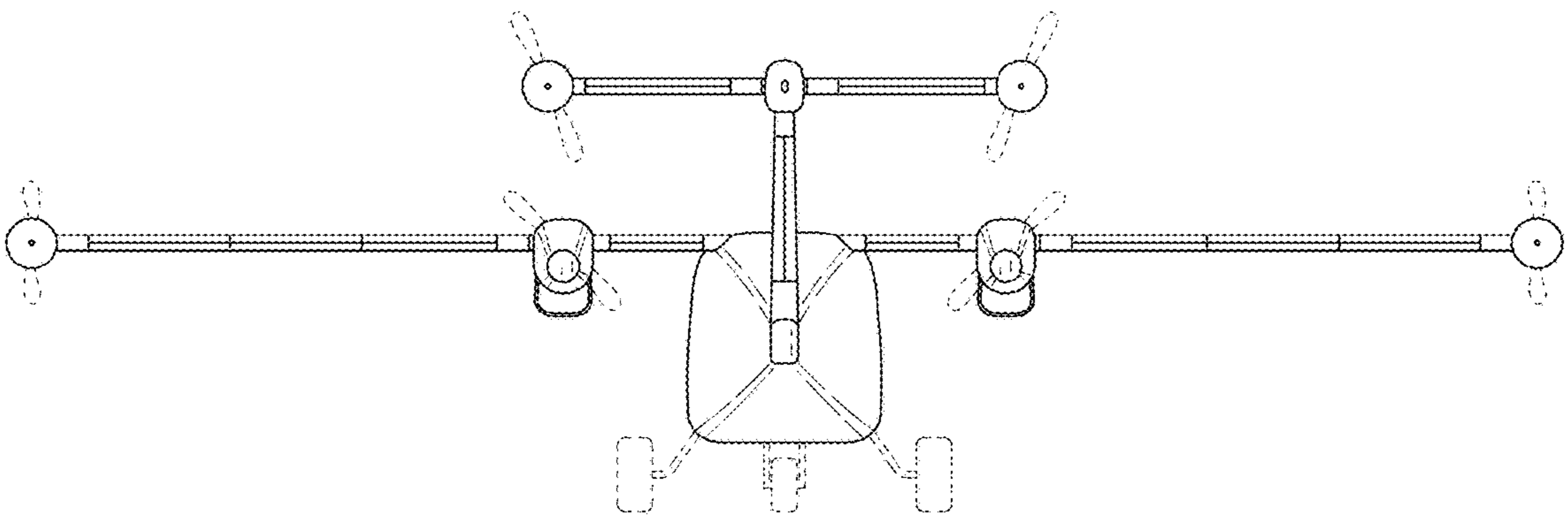


FIG. 7

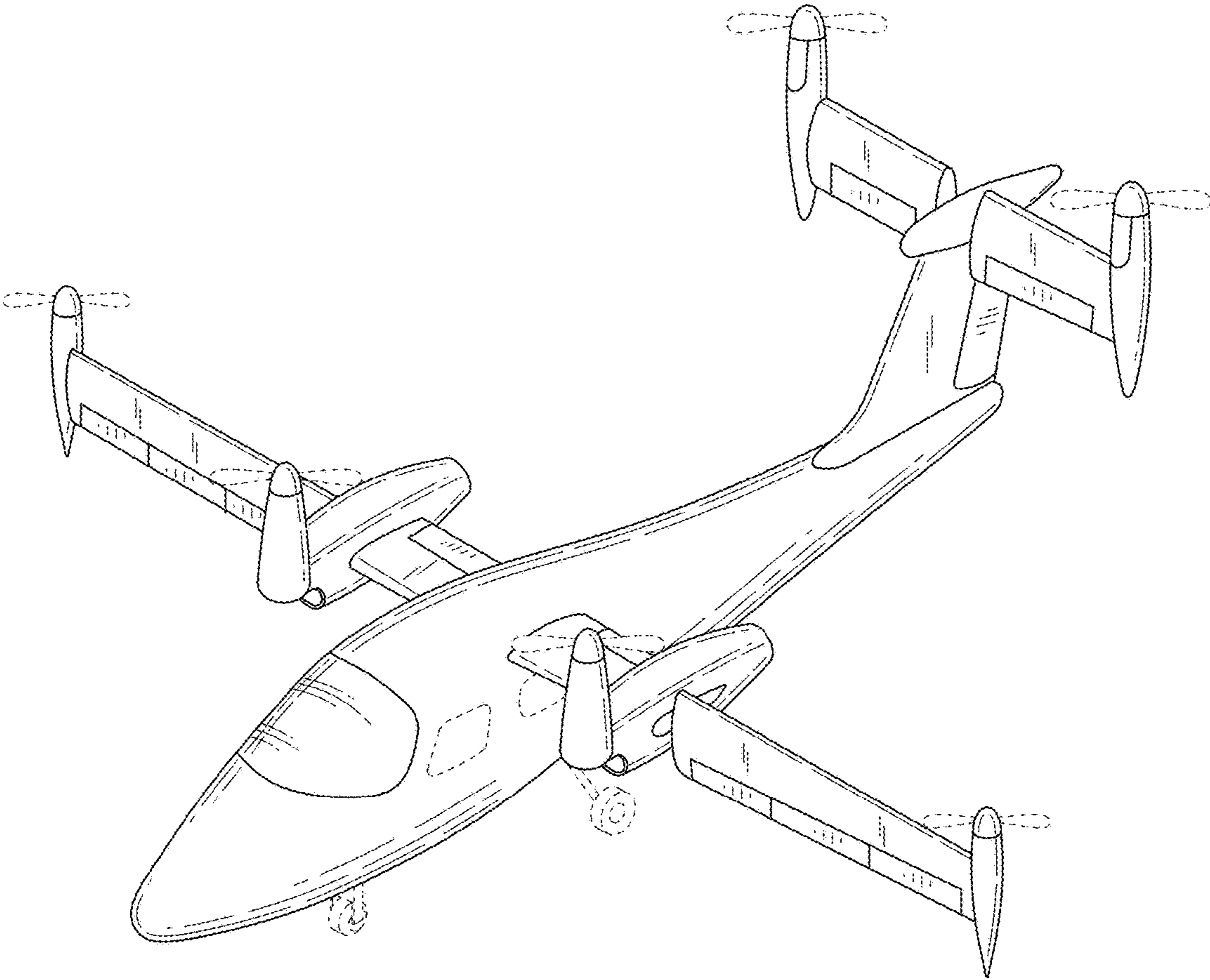


FIG. 8

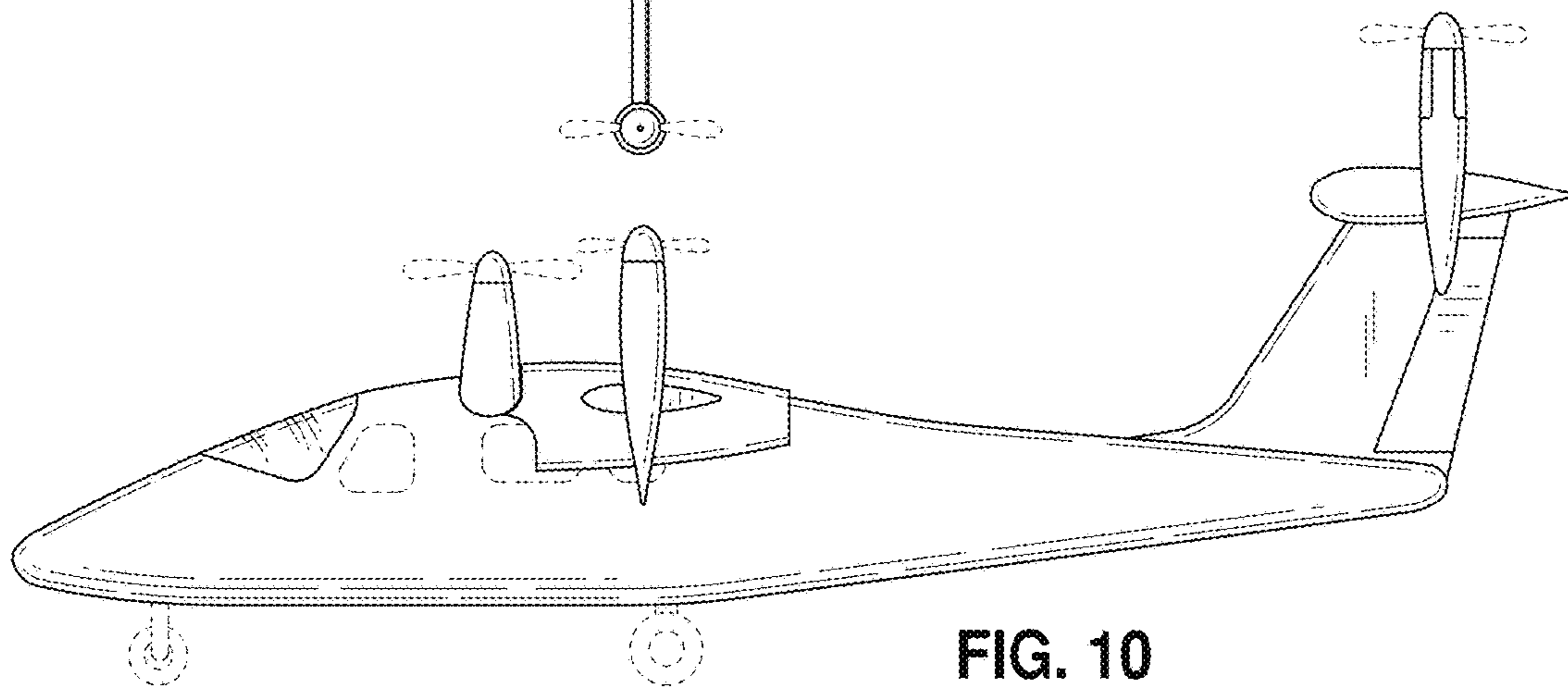
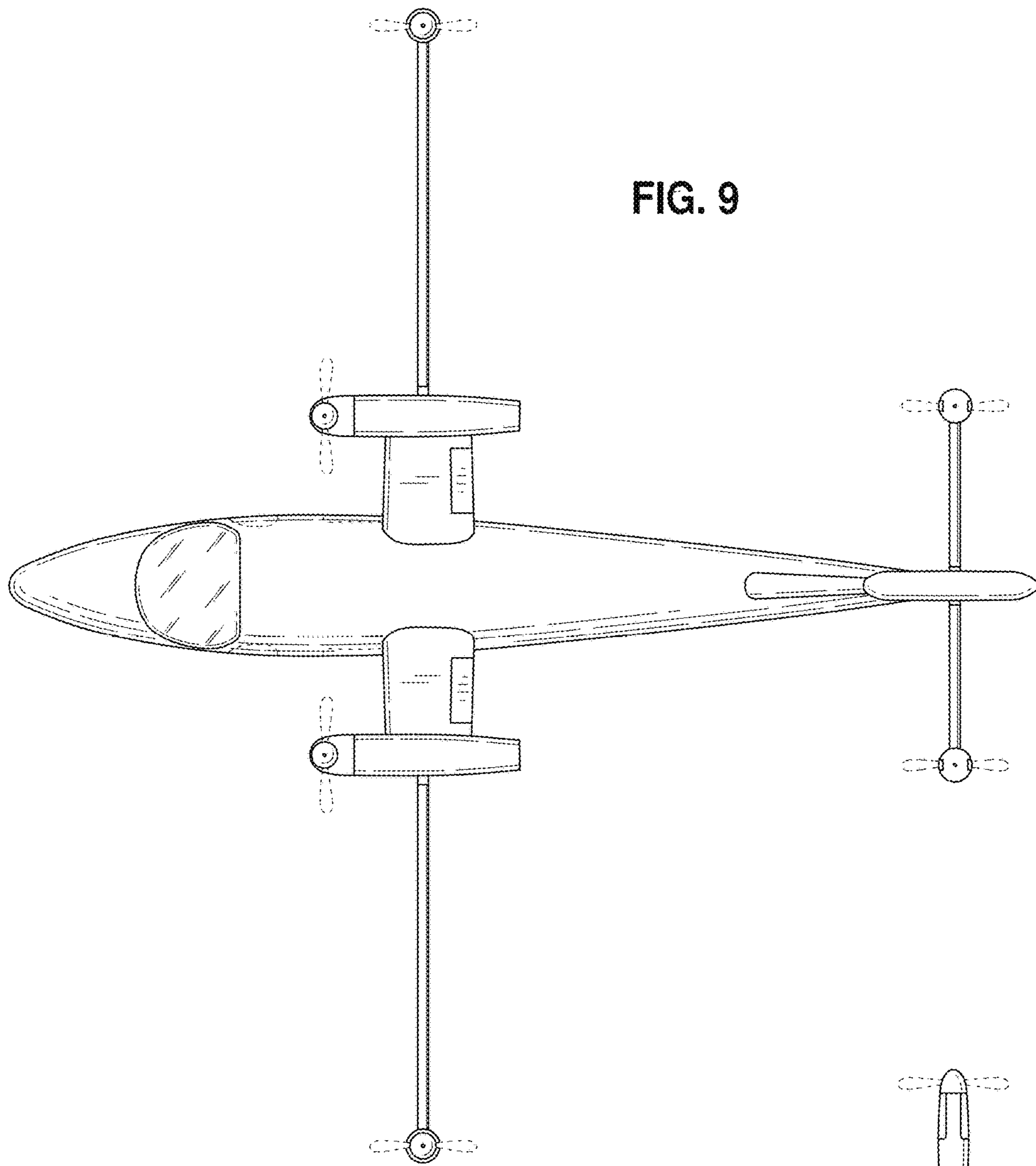


FIG. 11

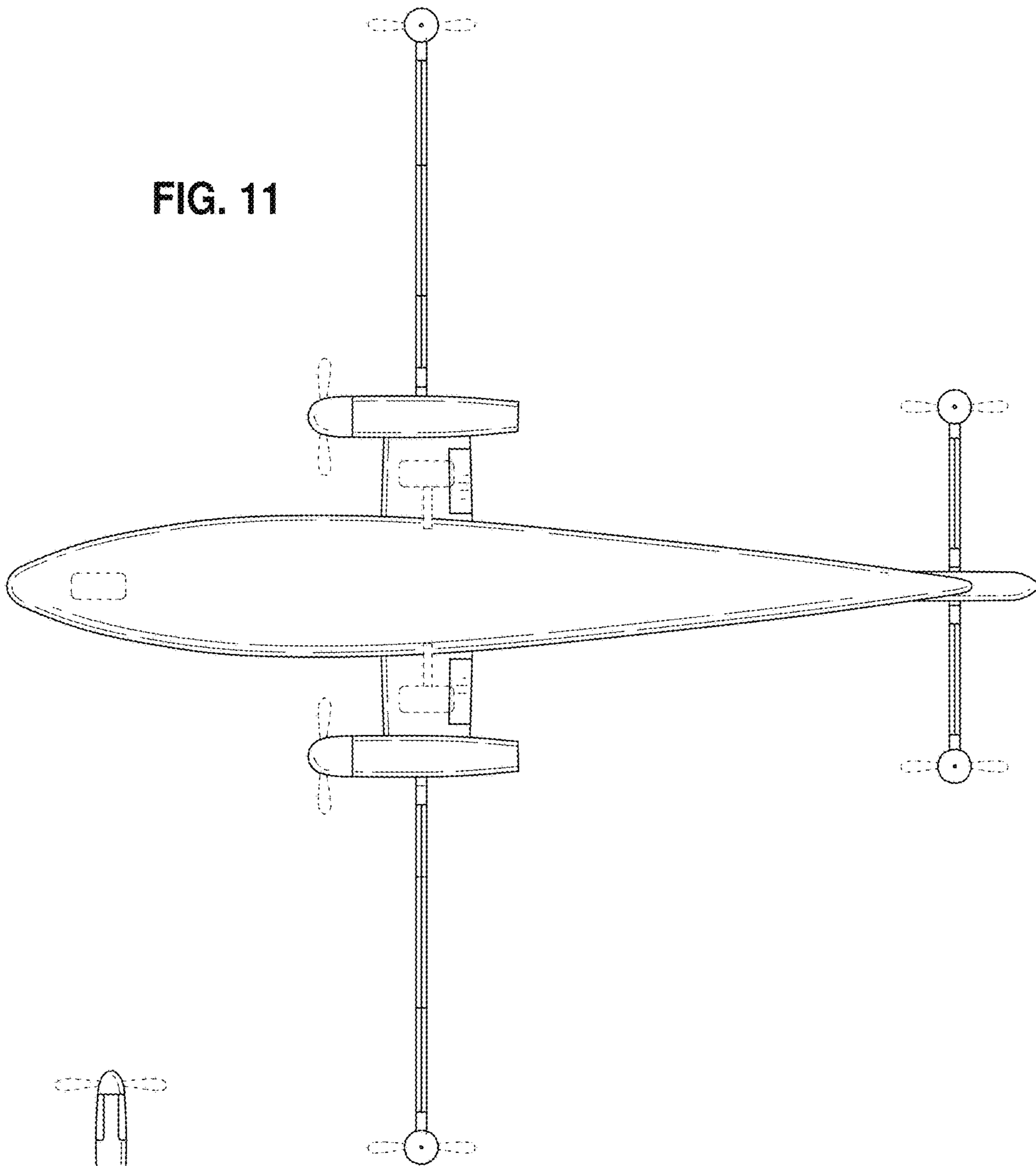
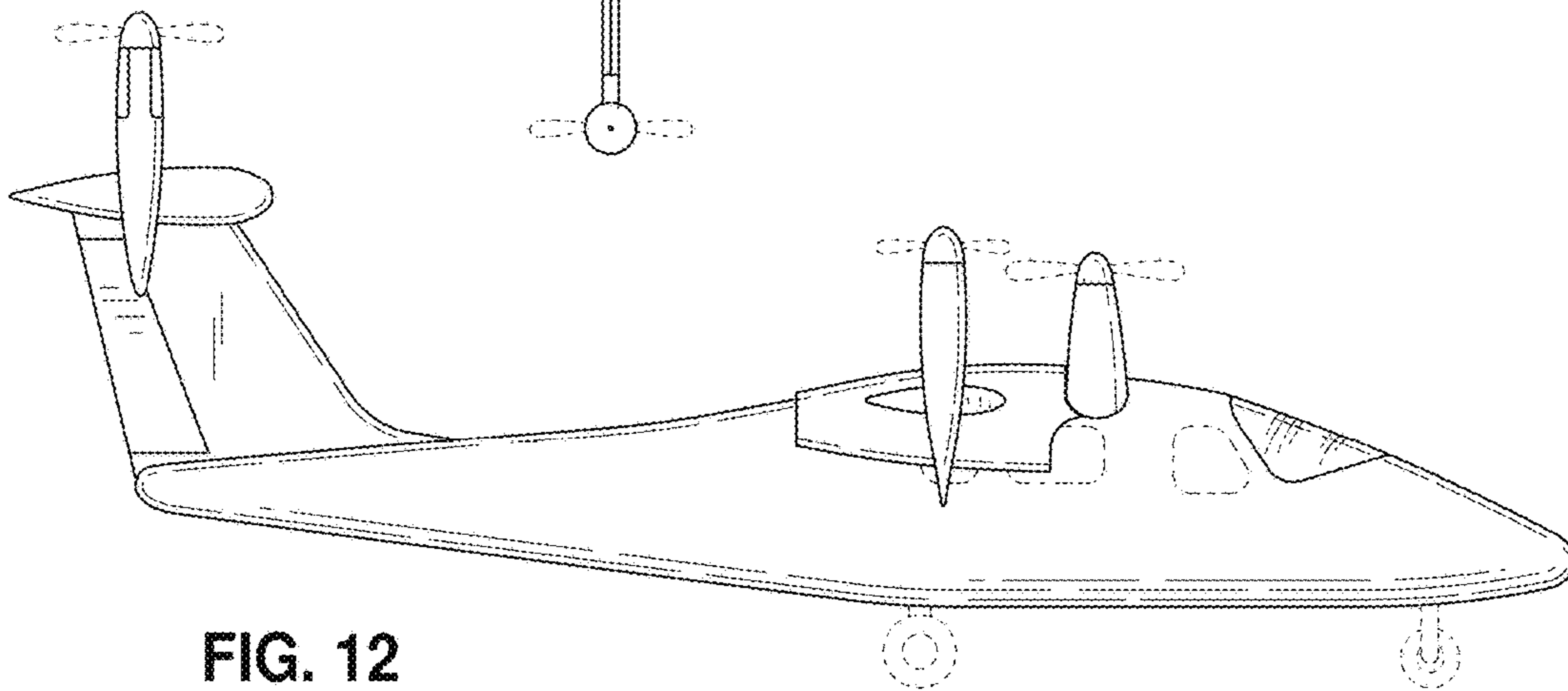


FIG. 12



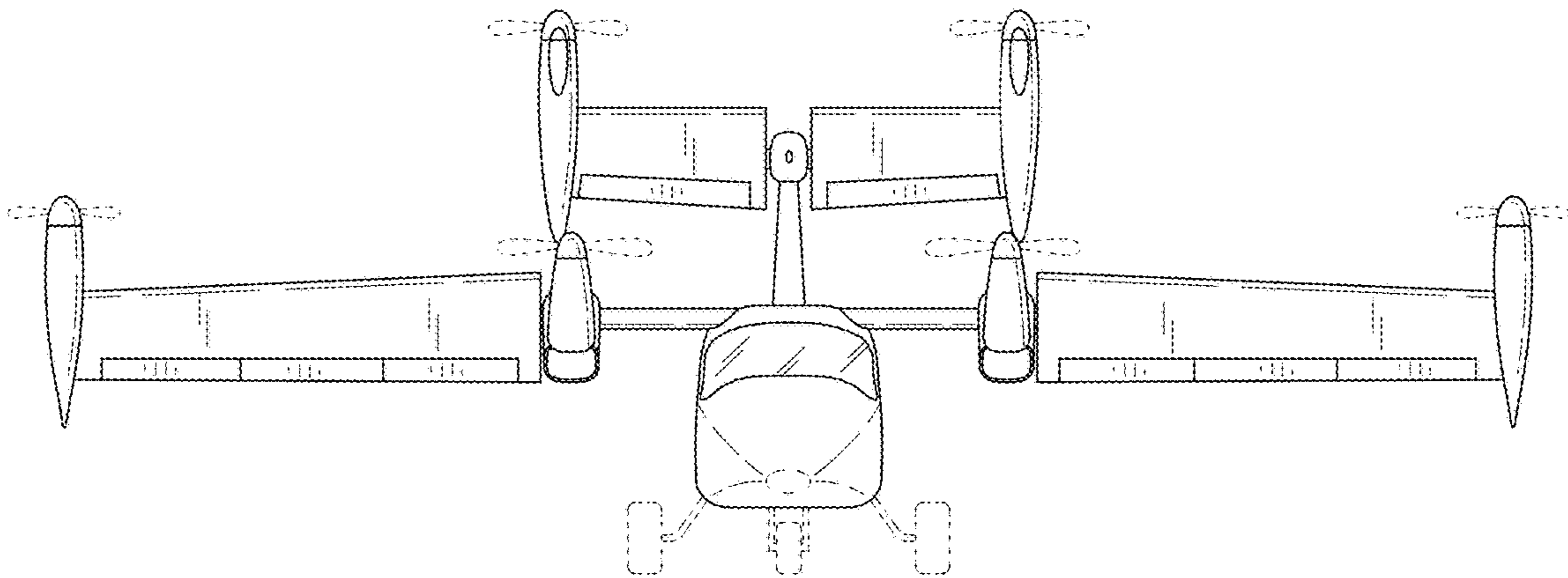


FIG. 13

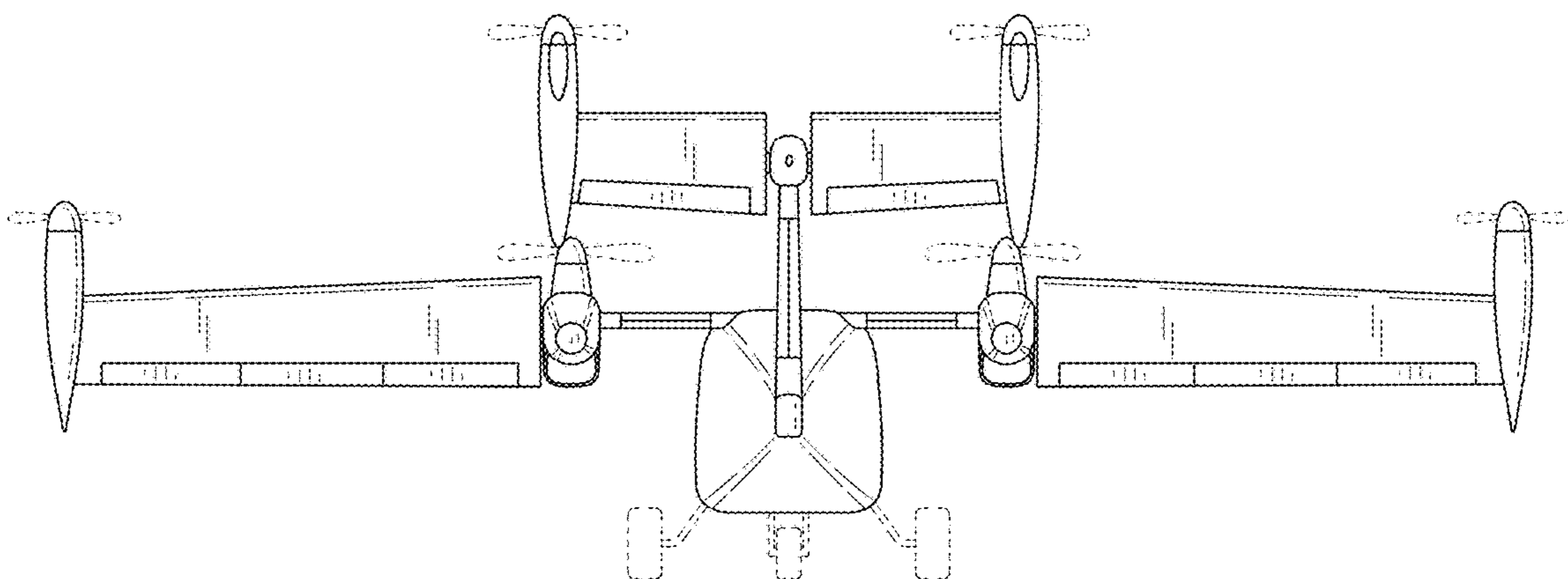


FIG. 14