



US00D799401S

(12) **United States Design Patent**
Lee et al.

(10) **Patent No.:** **US D799,401 S**
(45) **Date of Patent:** **** Oct. 10, 2017**

- (54) **WINDSCREEN WIPER**
- (71) Applicant: **CAP Corporation**, Gyeongsangbuk-do (KR)
- (72) Inventors: **Sang Chul Lee**, Gyeongsangbuk-do (KR); **Myoung Yeon Kim**, Ulsan (KR); **Sang Yeon Lee**, Gyeongsangbuk-do (KR)
- (73) Assignee: **CAP Corporation**, Gyeongsangbuk-do (KR)

D692,818 S *	11/2013	Tolentino	D12/219
D698,721 S *	2/2014	McEachern	D12/219
D699,661 S *	2/2014	Lee	D12/219
D702,617 S *	4/2014	Avasiloaie	D12/219
D704,127 S *	5/2014	Depondt	D12/219
D712,337 S *	9/2014	An	D12/219
D716,714 S *	11/2014	Kim	D12/219
D784,241 S *	4/2017	Park	D12/219
D787,417 S *	5/2017	Lee	D12/219
2008/0083082 A1	4/2008	Rovaart et al.	
2011/0162161 A1	7/2011	Amado	
2011/0277266 A1	11/2011	Umeno	
2012/0317740 A1 *	12/2012	Yang	B60S 1/3801 15/250.32

(**) Term: **15 Years**

(21) Appl. No.: **29/584,003**

(22) Filed: **Nov. 10, 2016**

(51) **LOC (10) Cl.** **12-16**

(52) **U.S. Cl.**
USPC **D12/219**

(58) **Field of Classification Search**
USPC D12/219-220
CPC B60S 2001/3815; B60S 1/4003; B60S 1/3801
See application file for complete search history.

(56) **References Cited**

U.S. PATENT DOCUMENTS

D379,613 S	6/1997	Chen	
D382,848 S	8/1997	Chen	
D680,051 S *	4/2013	Tolentino	D12/219

* cited by examiner

Primary Examiner — Katrina A Betton

(74) *Attorney, Agent, or Firm* — Grossman Tucker Perreault & Pflieger, PLLC

(57) **CLAIM**

The ornamental design for the windscreen wiper, as shown and described.

DESCRIPTION

FIG. 1 is a perspective view of a windscreen wiper showing our new design.

FIG. 2 is a front view thereof.

FIG. 3 is a rear view thereof.

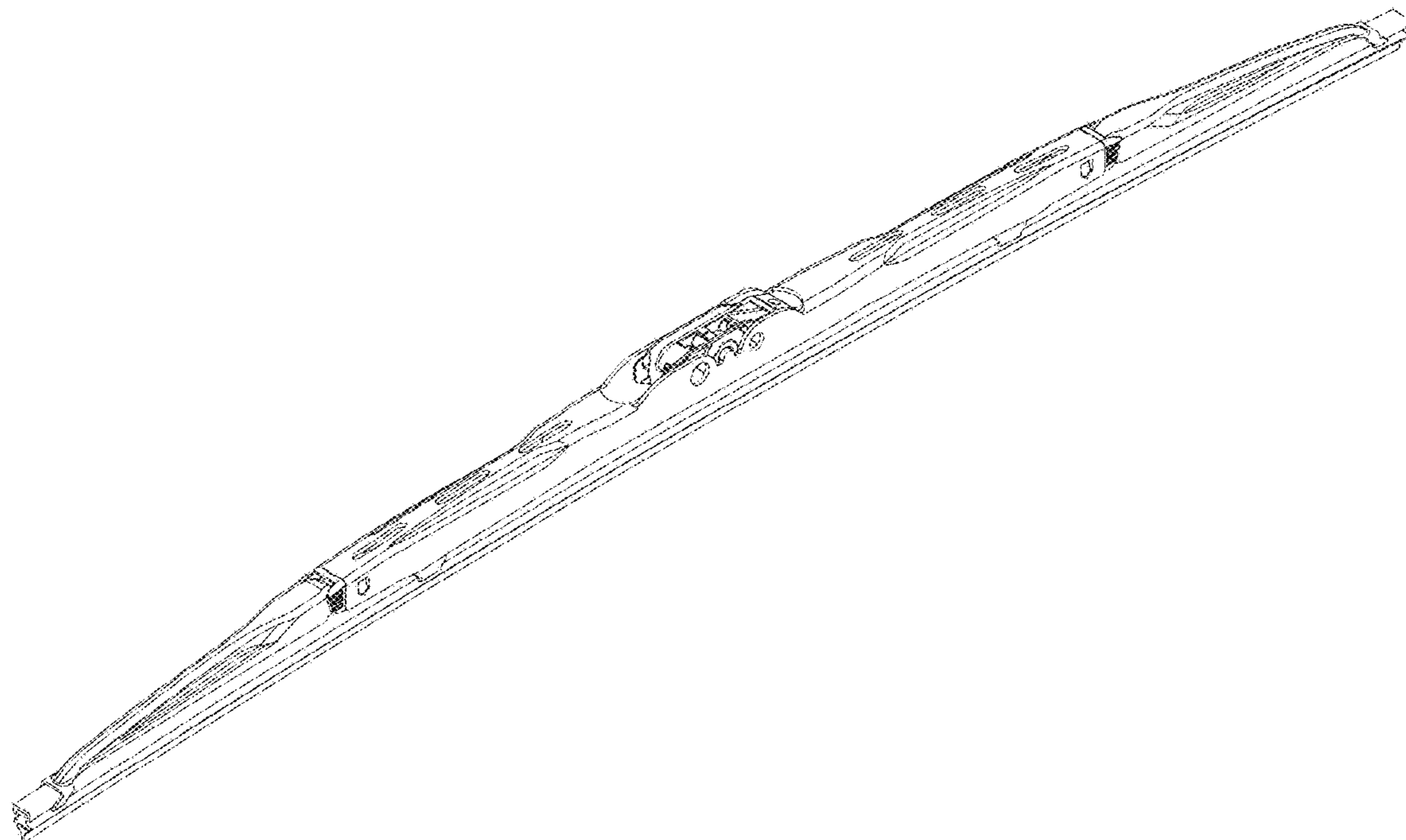
FIG. 4 is a magnified left side view thereof.

FIG. 5 is a magnified right side view thereof.

FIG. 6 is a top plan view thereof; and,

FIG. 7 is a bottom plan view thereof.

1 Claim, 7 Drawing Sheets



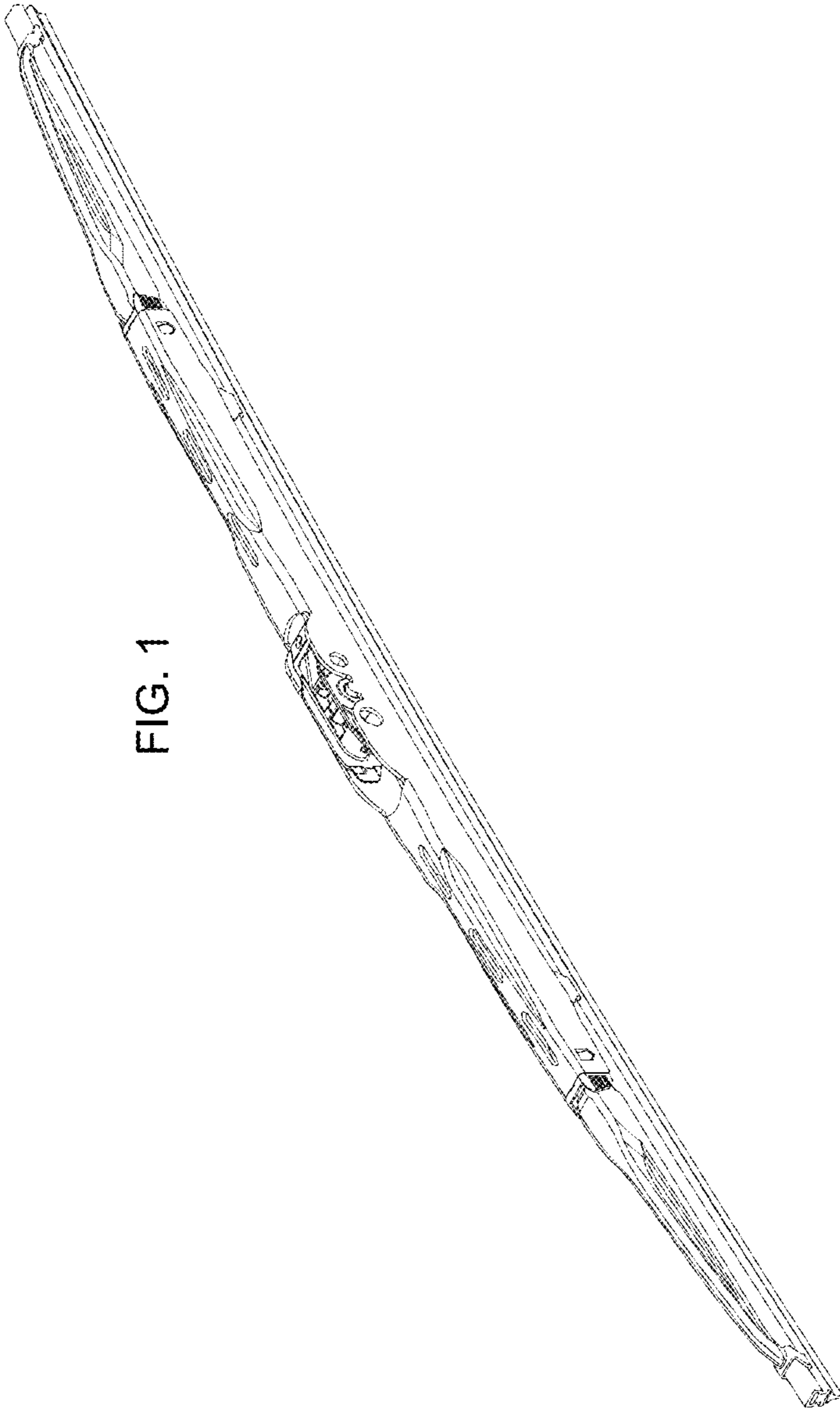


FIG. 1

FIG. 2

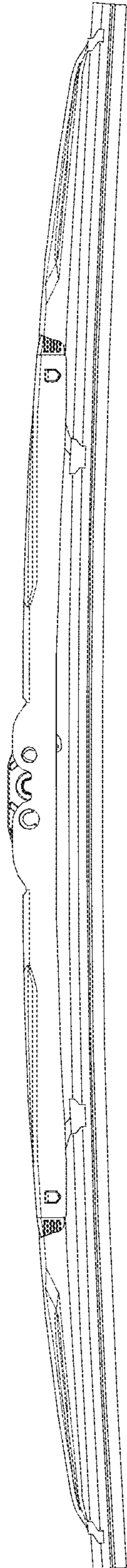


FIG. 3

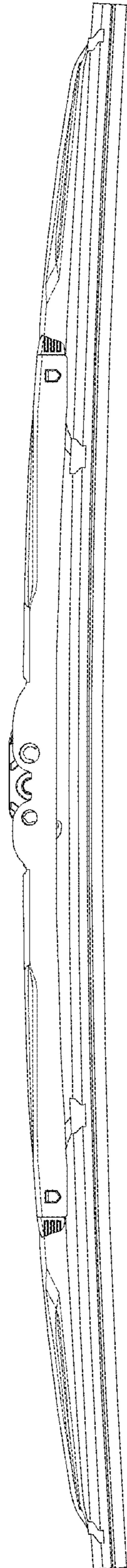


FIG. 4

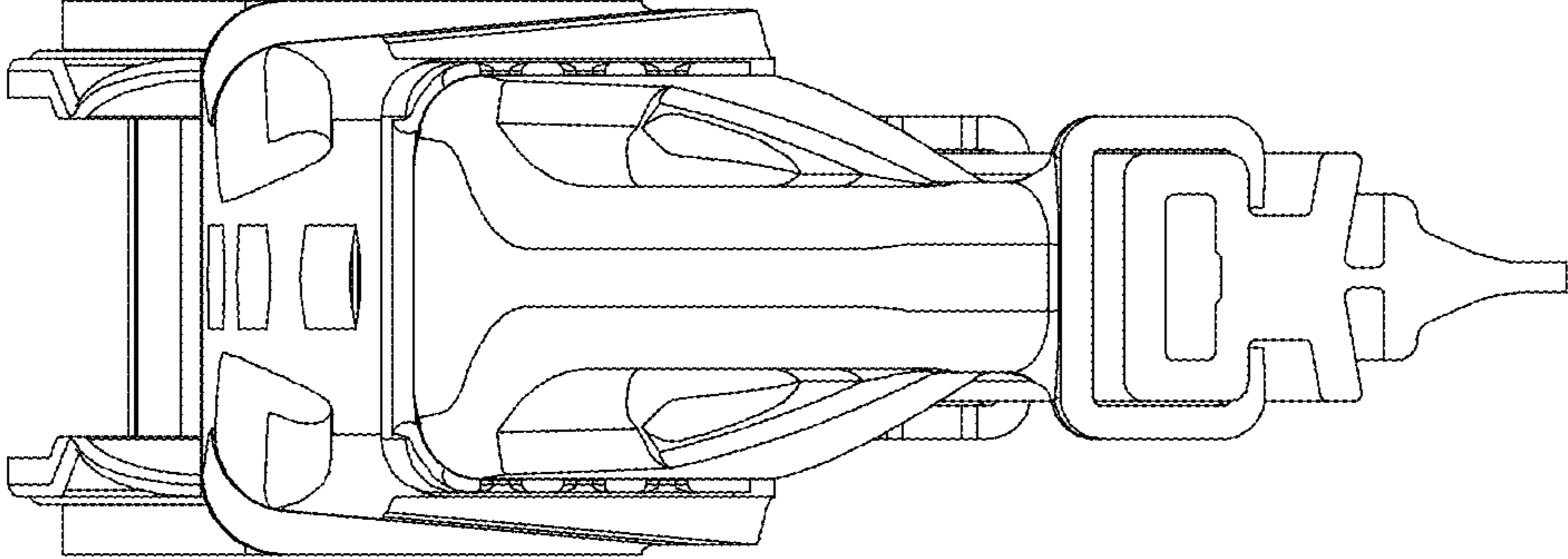


FIG. 5

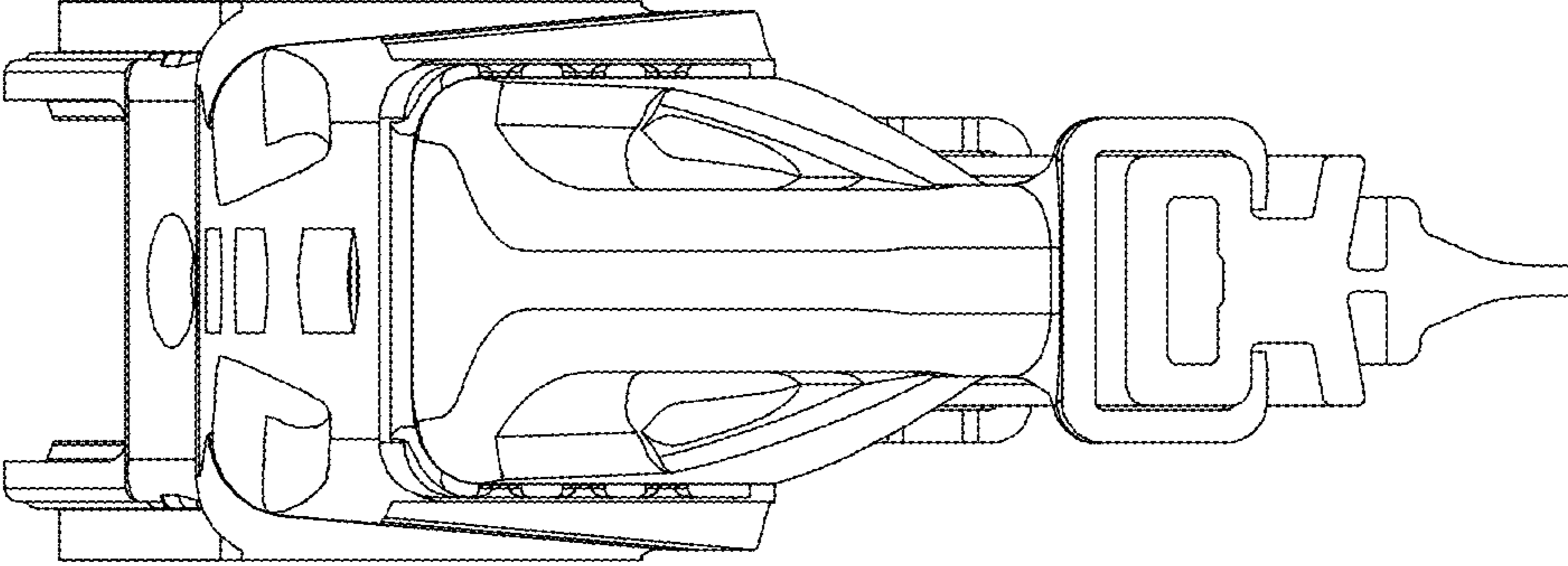


FIG. 6

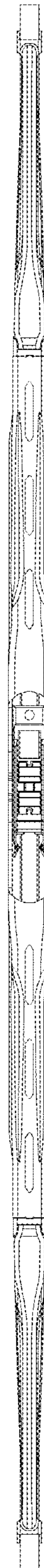


FIG. 7

