

US00D799399S

(12) **United States Design Patent**  
**Chung**

(10) **Patent No.:** **US D799,399 S**

(45) **Date of Patent:** **\*\* Oct. 10, 2017**

(54) **AUTOMOTIVE WHEEL**

(71) Applicant: **Suny Chung**, Anaheim, CA (US)

(72) Inventor: **Suny Chung**, Anaheim, CA (US)

(\*\*) Term: **15 Years**

(21) Appl. No.: **29/578,161**

(22) Filed: **Sep. 19, 2016**

(51) **LOC (10) Cl.** ..... **12-16**

(52) **U.S. Cl.**  
USPC ..... **D12/211**

(58) **Field of Classification Search**  
USPC ..... D12/204–213  
CPC .... B60B 7/00; B60B 7/02; B60B 7/04; B60B 7/01; B60B 7/06; B60B 3/02; B60B 3/04; B60B 3/06; B60B 3/10; B60B 1/00; B60B 1/08; B60B 1/10; B60B 1/12  
See application file for complete search history.

(56) **References Cited**

**U.S. PATENT DOCUMENTS**

D395,031 S *	6/1998	Timm	.....	D12/209
D455,701 S *	4/2002	McMath	.....	D12/209
D586,715 S *	2/2009	Cortes	.....	D12/211
D670,227 S *	11/2012	Chung	.....	D12/211
D683,292 S *	5/2013	Woolley	.....	D12/209
D697,005 S *	1/2014	Juergens	.....	D12/209

D700,566 S *	3/2014	Ichikawa	.....	D12/209
D723,444 S *	3/2015	Hodges	.....	D12/209
D726,620 S *	4/2015	Lickliter	.....	D12/209
D738,278 S *	9/2015	Wolff	.....	D12/209
D744,400 S *	12/2015	Watanuki	.....	D12/209
D758,948 S *	6/2016	Trpinac	.....	D12/211
D767,468 S *	9/2016	Stone	.....	D12/211
D787,405 S *	5/2017	Nakamura	.....	D12/209

\* cited by examiner

*Primary Examiner* — Stacia Cadmus

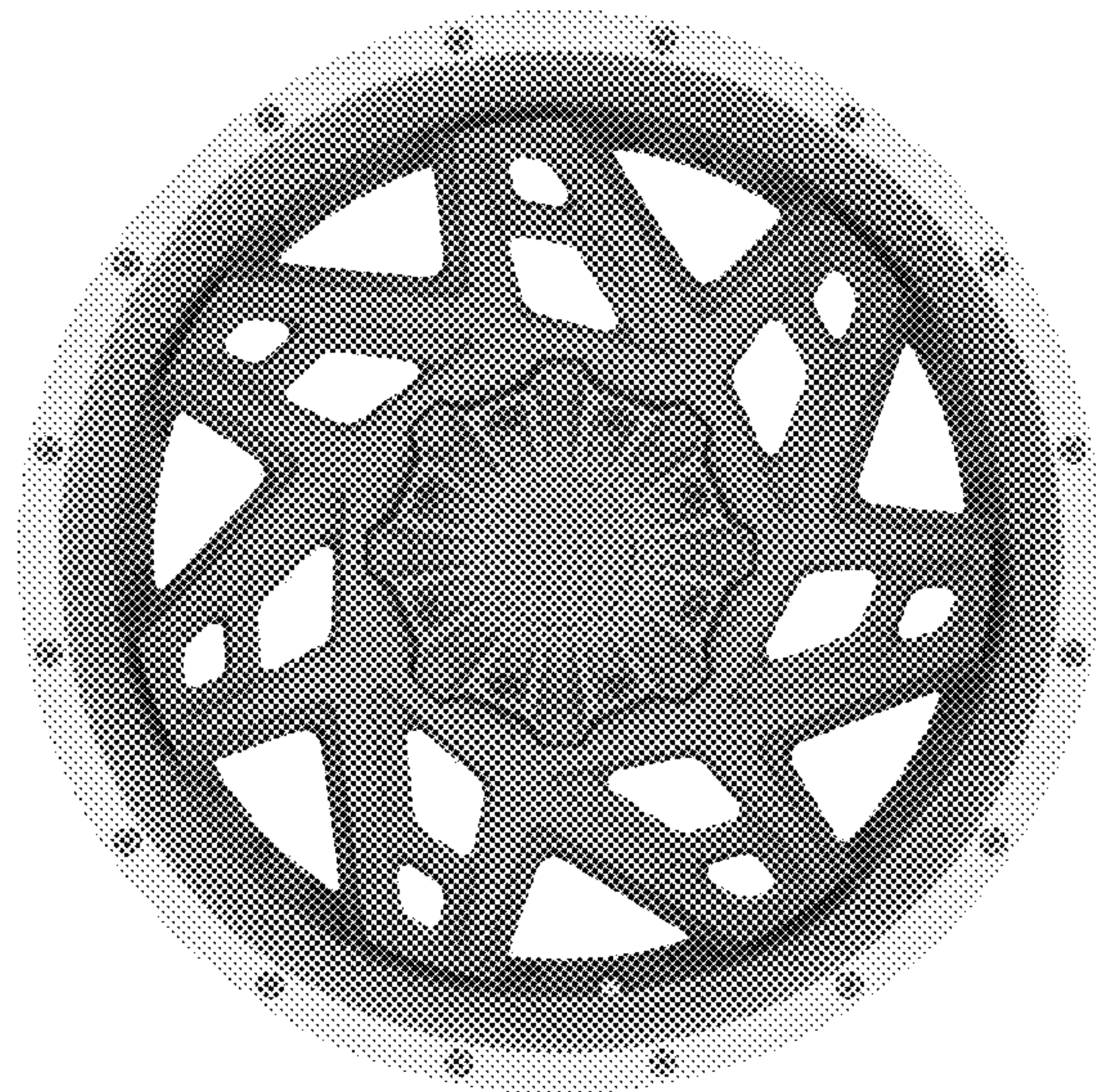
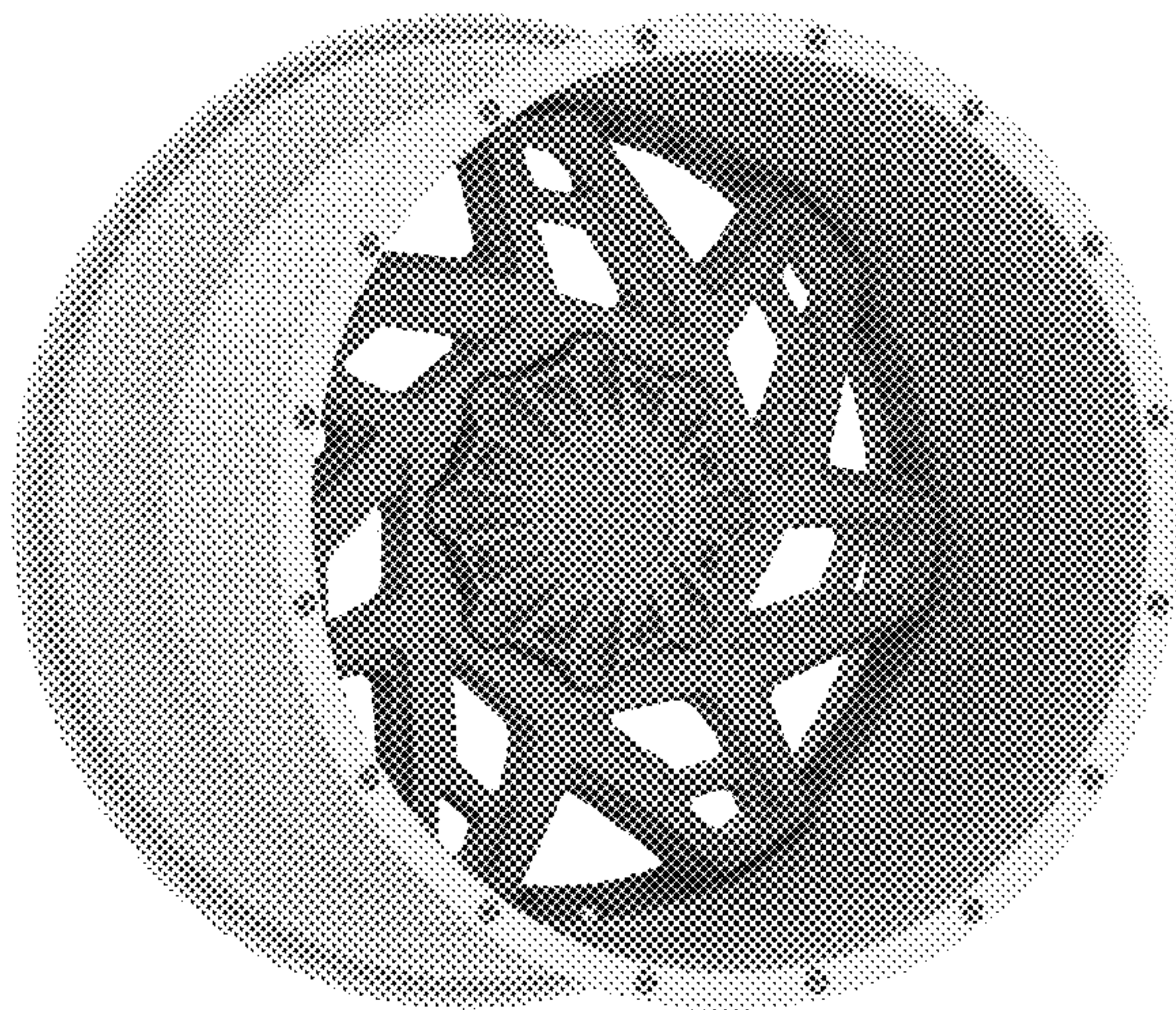
(57) **CLAIM**

The ornamental design for an automotive wheel, as shown and described.

**DESCRIPTION**

FIG. 1 is a perspective view of an automotive wheel, showing my new design;  
FIG. 2 is another perspective view thereof;  
FIG. 3 is a front view thereof;  
FIG. 4 is a perspective view of a second embodiment of an automotive wheel, showing my new design;  
FIG. 5 is another perspective view of FIG. 4;  
FIG. 6 is a front view of FIG. 4; and  
FIG. 7 is a side view of the automotive wheel in FIGS. 1-6.

**1 Claim, 7 Drawing Sheets**





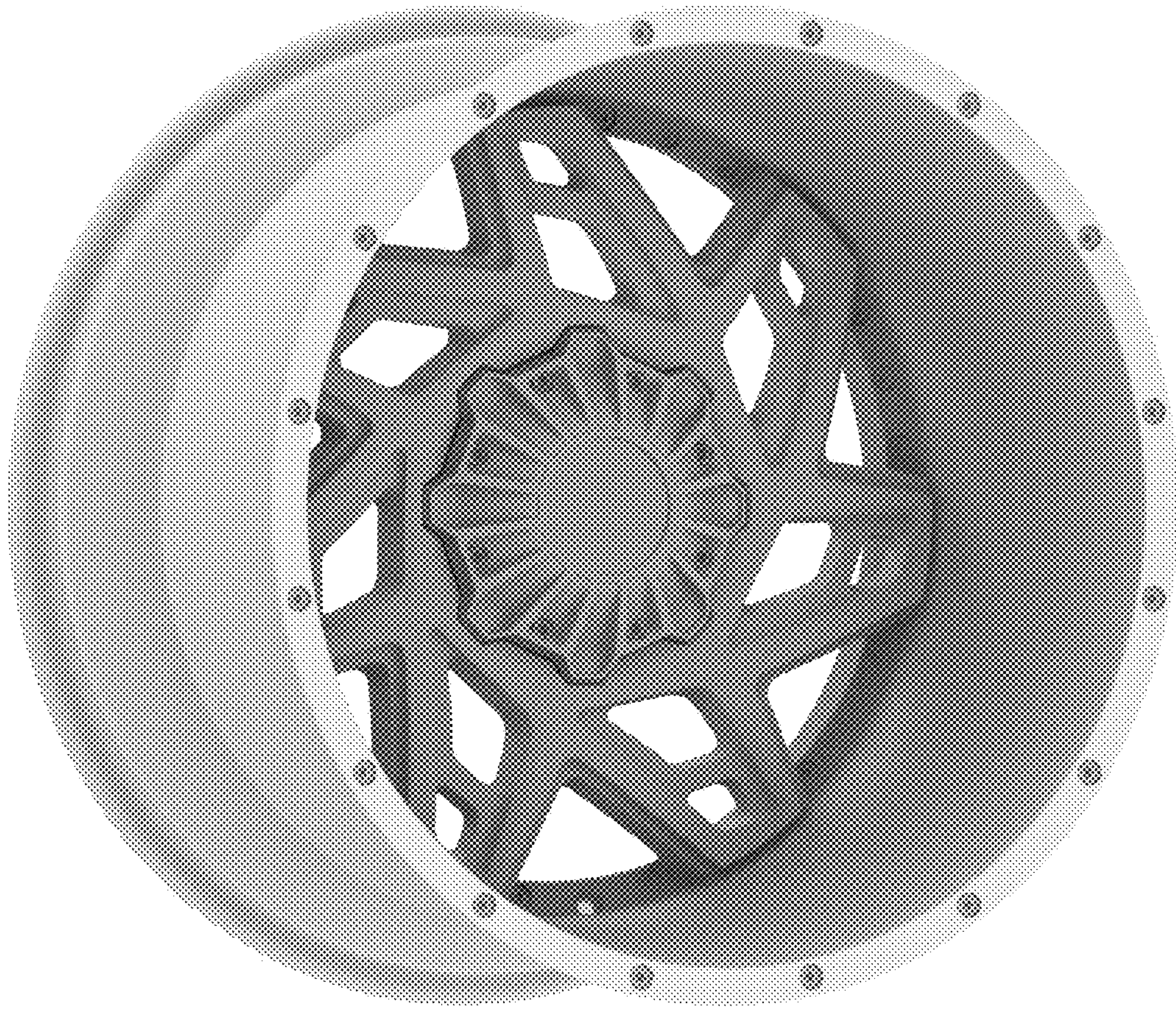


FIGURE 1



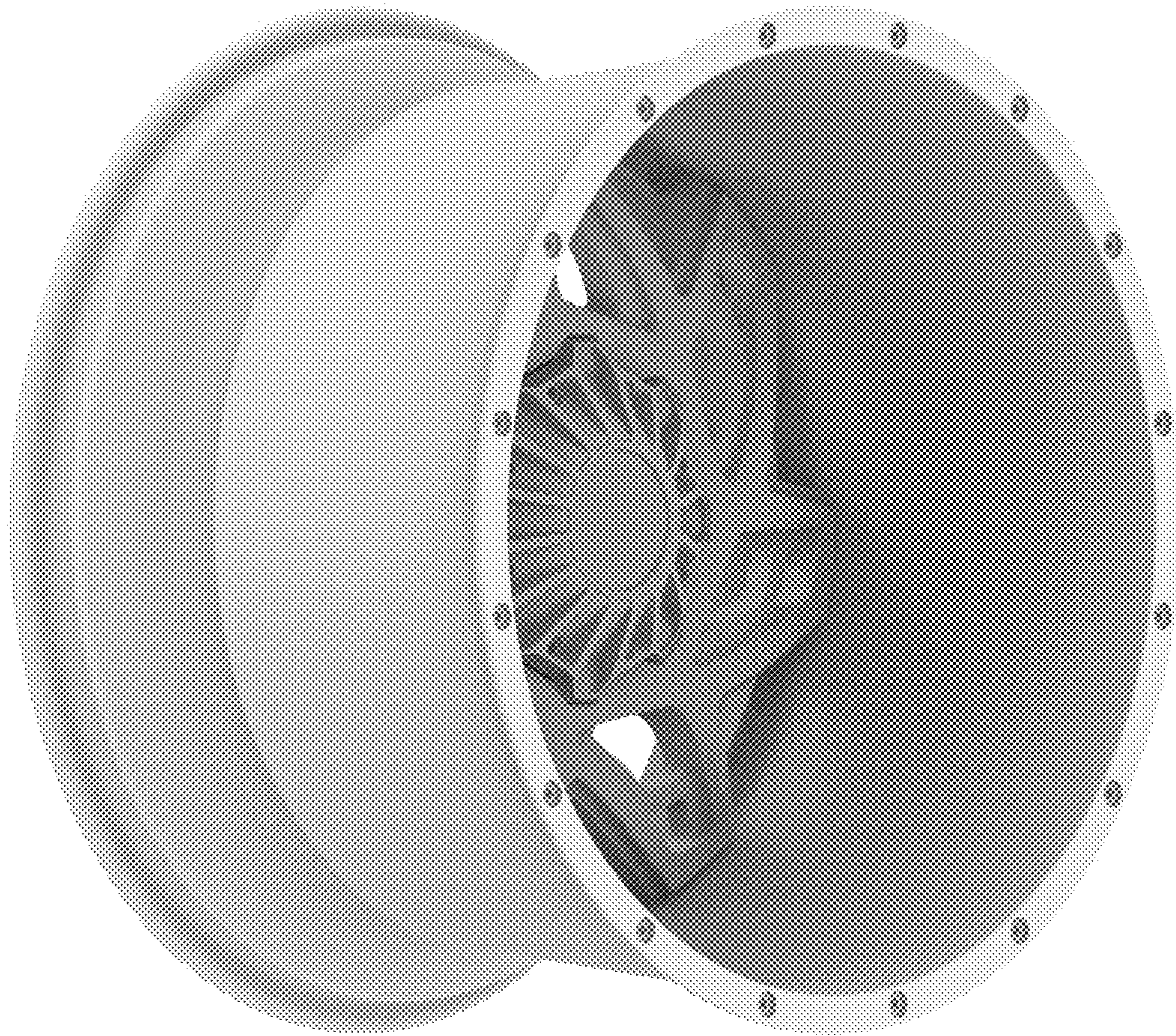


FIGURE 2



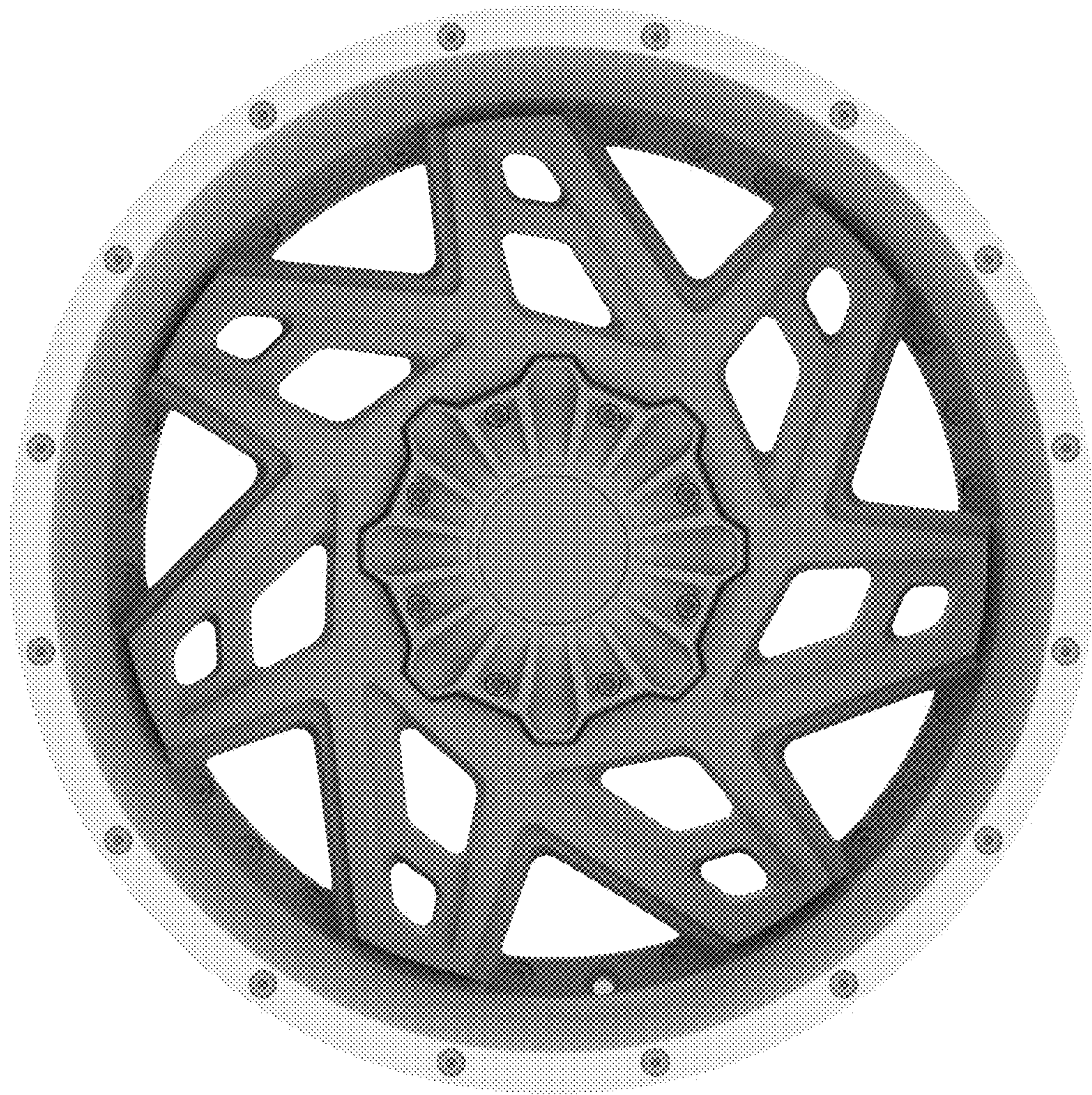


FIGURE 3



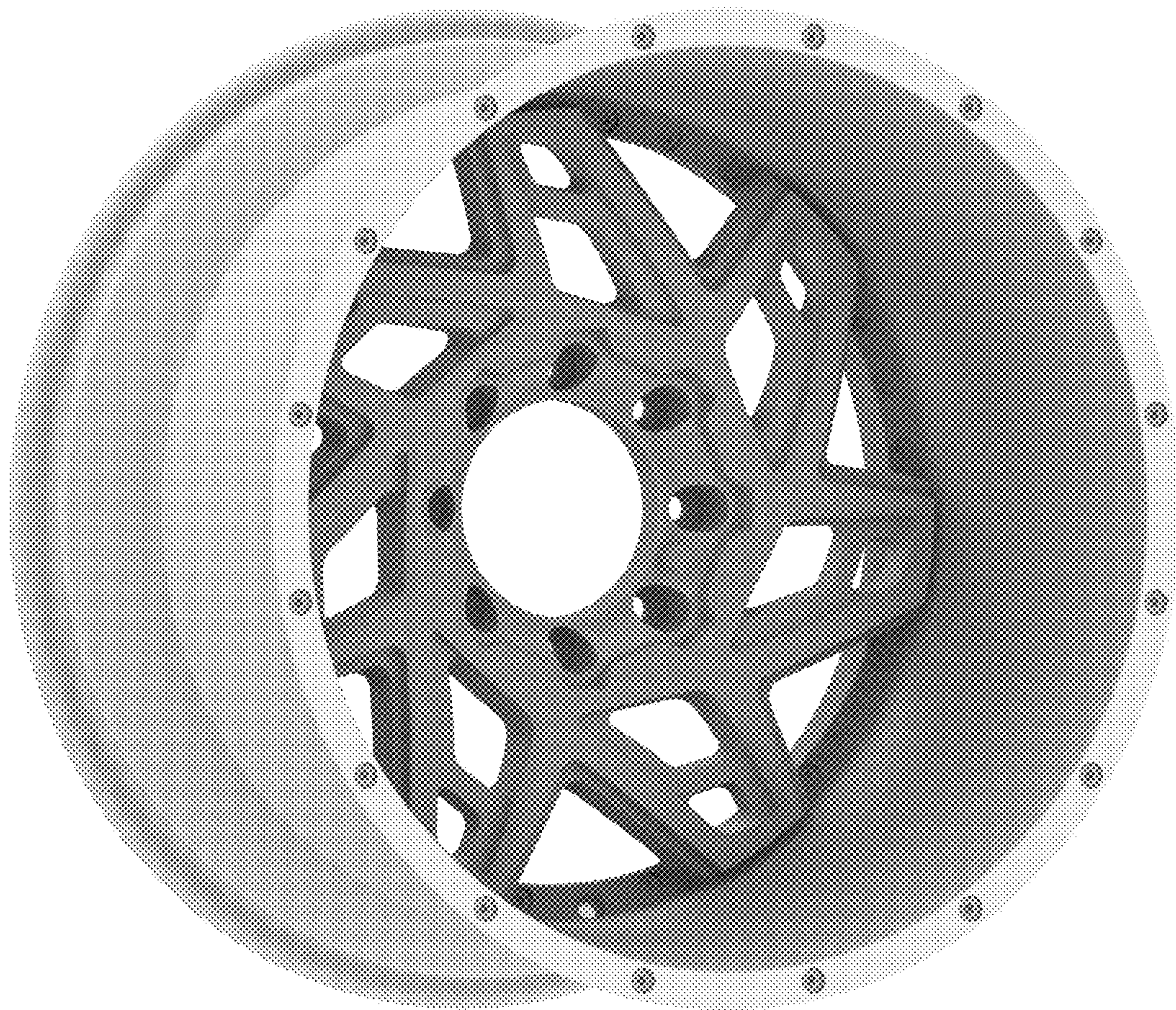


FIGURE 4



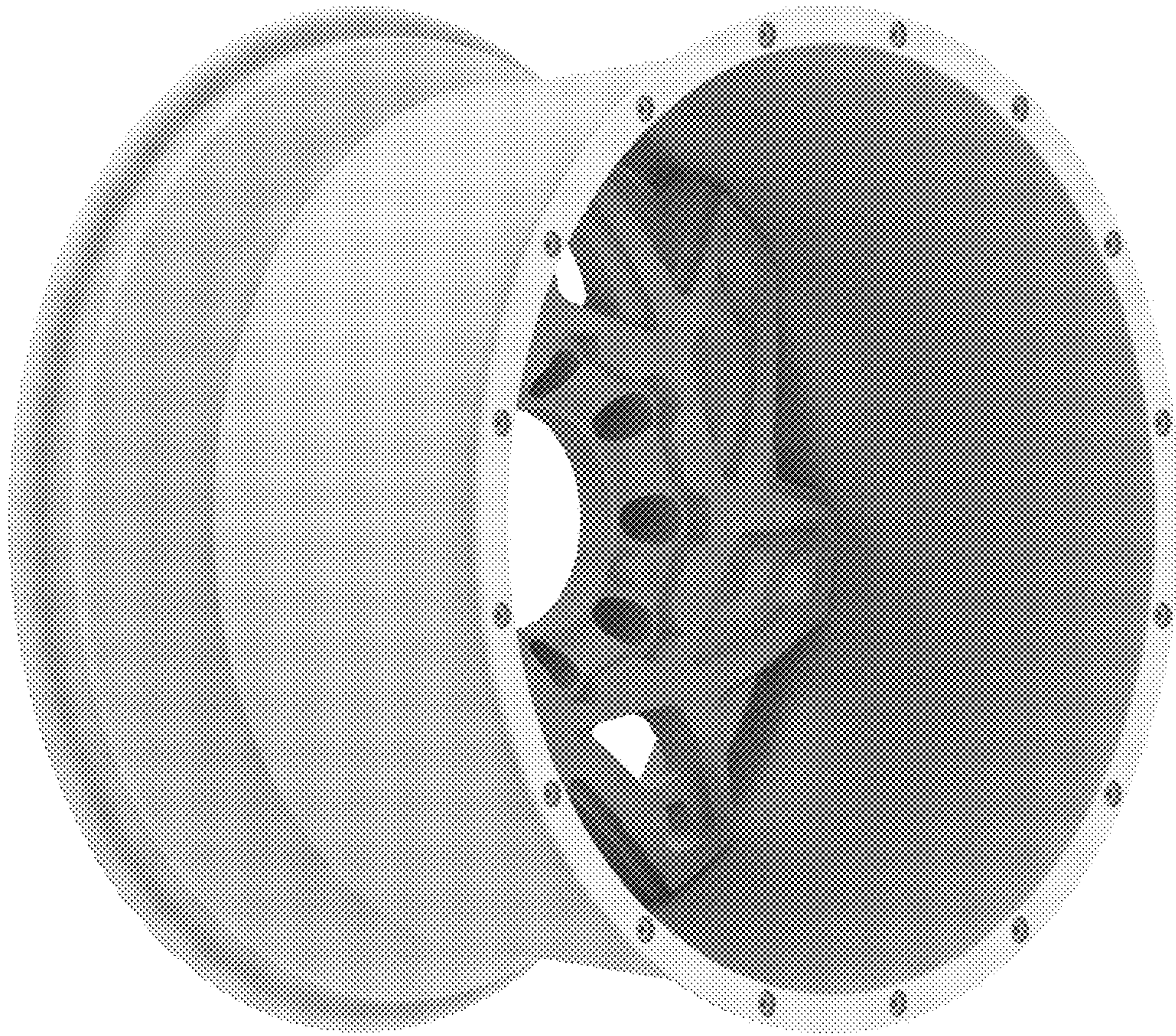


FIGURE 5



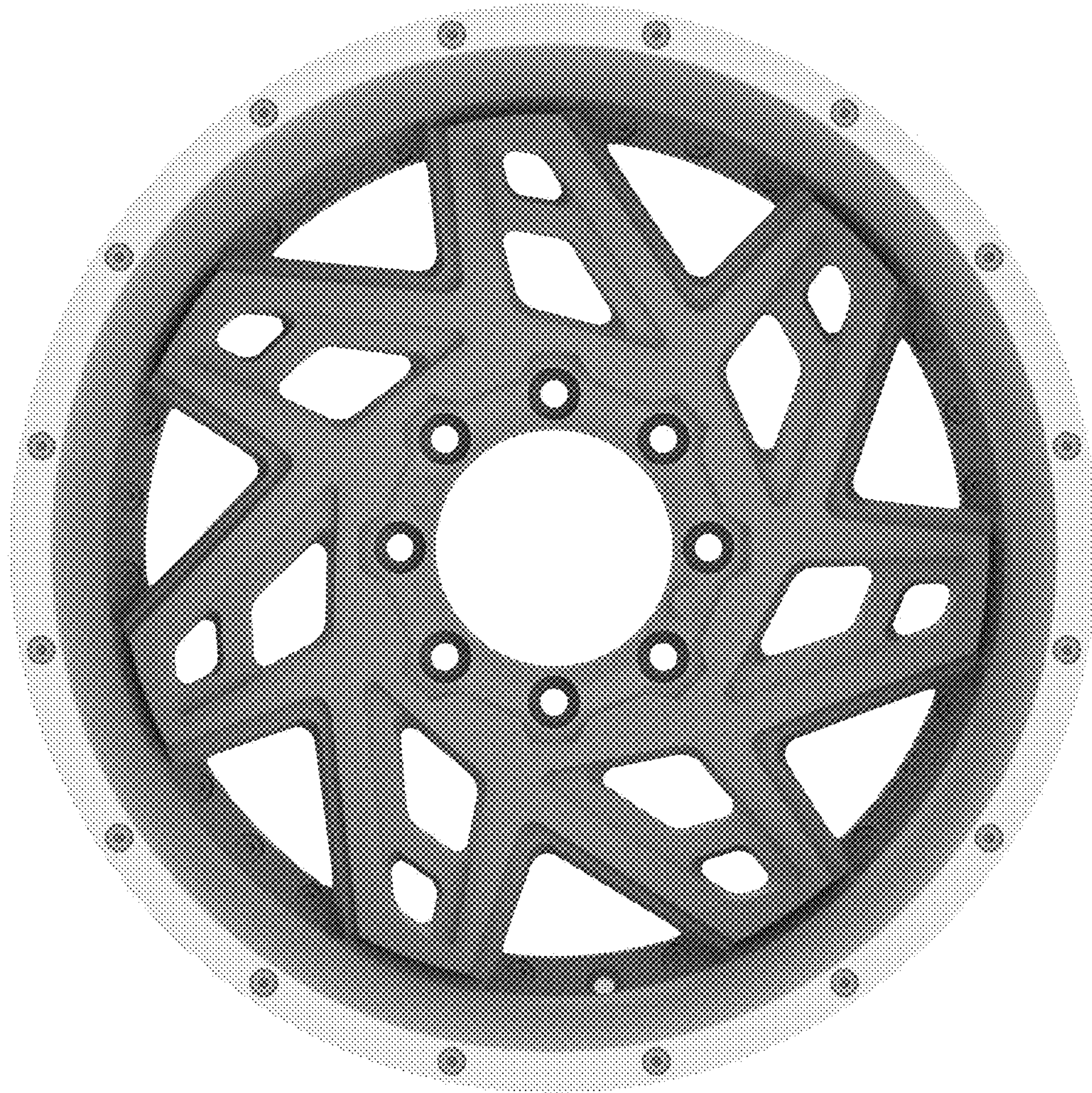


FIGURE 6



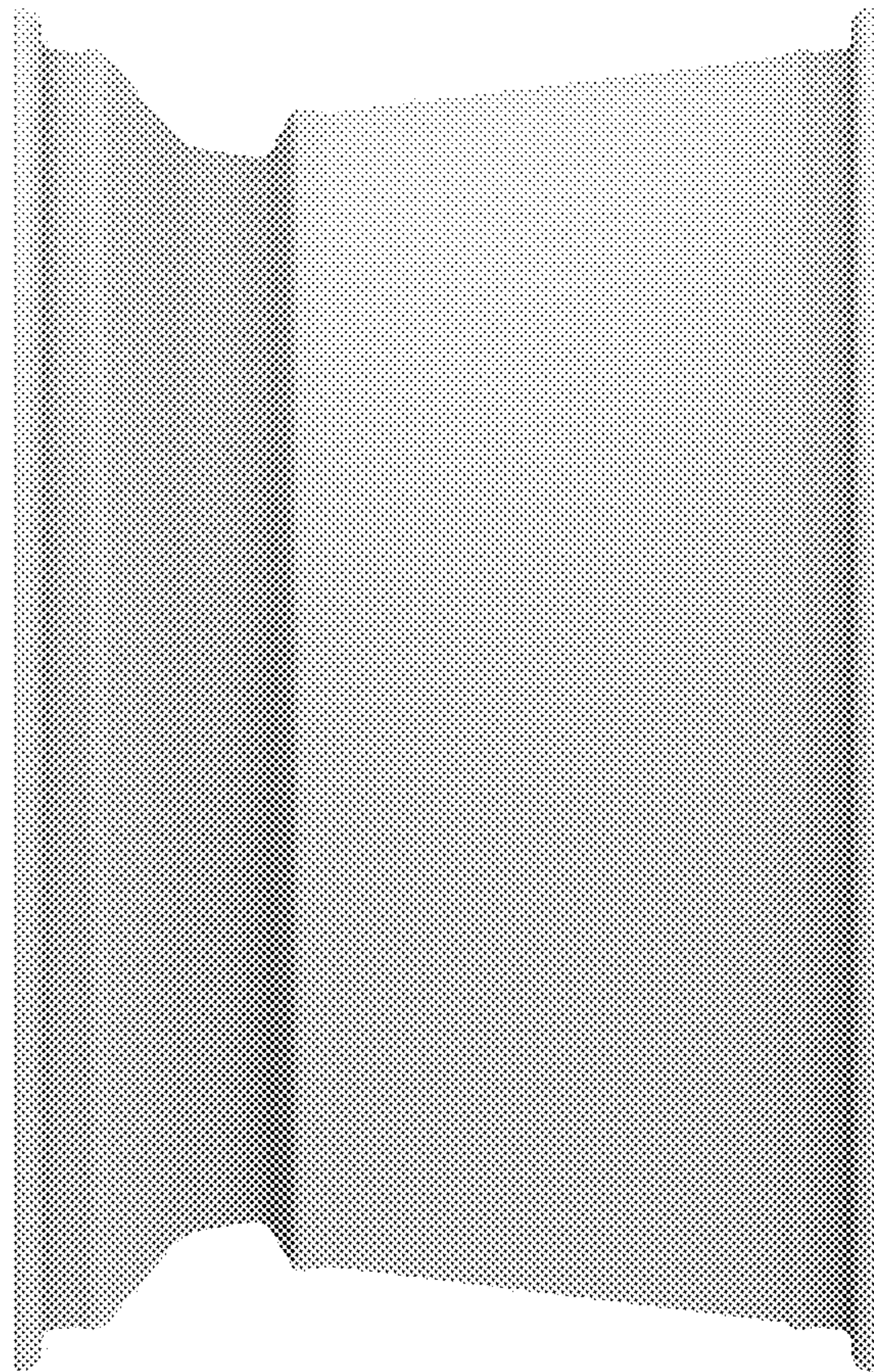


FIGURE 7