

US00D799398S

(12) **United States Design Patent** (10) **Patent No.:** **US D799,398 S**  
**Liffick** (45) **Date of Patent:** **\*\* Oct. 10, 2017**

(54) **VEHICLE WHEEL**  
(71) Applicant: **Quarsa, LLC**, Chino, CA (US)  
(72) Inventor: **Fenton Liffick**, Anaheim Hills, CA (US)  
(73) Assignee: **PRESTIGE AUTOTECH CORPORATION**, Chino, CA (US)  
(\*\*) Term: **15 Years**

D704,121 S \* 5/2014 Chung ..... D12/211  
D704,122 S \* 5/2014 Chung ..... D12/211  
D712,334 S \* 9/2014 Hale, Jr. .... D12/211  
D714,708 S \* 10/2014 Chung ..... D12/211  
D717,224 S \* 11/2014 Kim ..... D12/211  
D722,937 S \* 2/2015 Johnson ..... D12/209  
D753,048 S \* 4/2016 Chan ..... D12/211  
2003/0080608 A1 \* 5/2003 Coleman ..... B21D 53/26  
301/63.103  
2013/0026816 A1 \* 1/2013 Kia ..... B60B 1/14  
301/95.102

(21) Appl. No.: **29/541,282**  
(22) Filed: **Oct. 1, 2015**  
(51) **LOC (10) Cl.** ..... **12-16**  
(52) **U.S. Cl.**  
USPC ..... **D12/211**  
(58) **Field of Classification Search**  
USPC ..... D12/204–213  
CPC .... B60B 7/00; B60B 7/01; B60B 7/02; B60B 7/04; B60B 7/06; B60B 3/02; B60B 3/04; B60B 3/06; B60B 3/10; B60B 1/00; B60B 1/08; B60B 1/10; B60B 1/12  
See application file for complete search history.

OTHER PUBLICATIONS

Ballistic 959 Rage wheel | posted at Amazon.com © 1996-2016 [online][Site Visited Aug. 2, 2016]. Available from Internet: <[https://www.amazon.com/Ballistic-20x10-6x135-6x139-7MilleddpB018RVEOIMref=pd\\_day0\\_293\\_7ie=UTF8&dpID=516e14RaAOL&dpSrc=sims&preST=\\_AC\\_UL160\\_SR1602C160\\_&psc=1&refRID=WC0X31AWS4M6WRPWAK1H](https://www.amazon.com/Ballistic-20x10-6x135-6x139-7MilleddpB018RVEOIMref=pd_day0_293_7ie=UTF8&dpID=516e14RaAOL&dpSrc=sims&preST=_AC_UL160_SR1602C160_&psc=1&refRID=WC0X31AWS4M6WRPWAK1H)>.\*

\* cited by examiner

Primary Examiner — Sandra Snapp  
Assistant Examiner — Katherine Glennon  
(74) Attorney, Agent, or Firm — Snell & Wilmer L.L.P.

(56) **References Cited**

U.S. PATENT DOCUMENTS

D260,874 S \* 9/1981 Reppert ..... D12/209  
D438,165 S \* 2/2001 Echazabal ..... D12/211  
D534,113 S \* 12/2006 Metros ..... D12/211  
D629,347 S \* 12/2010 Kim ..... D12/211  
D639,228 S \* 6/2011 Johnson ..... D12/211  
D671,483 S \* 11/2012 Chung ..... D12/211  
D680,940 S \* 4/2013 Hale, Jr. .... D12/211  
D681,534 S \* 5/2013 Zhao ..... D12/211  
D686,963 S \* 7/2013 Hale, Jr. .... D12/211  
D691,542 S \* 10/2013 Chan ..... D12/209  
D691,545 S \* 10/2013 Gordon ..... D12/211  
D698,300 S \* 1/2014 Chung ..... D12/211  
D702,174 S \* 4/2014 Gordon ..... D12/213

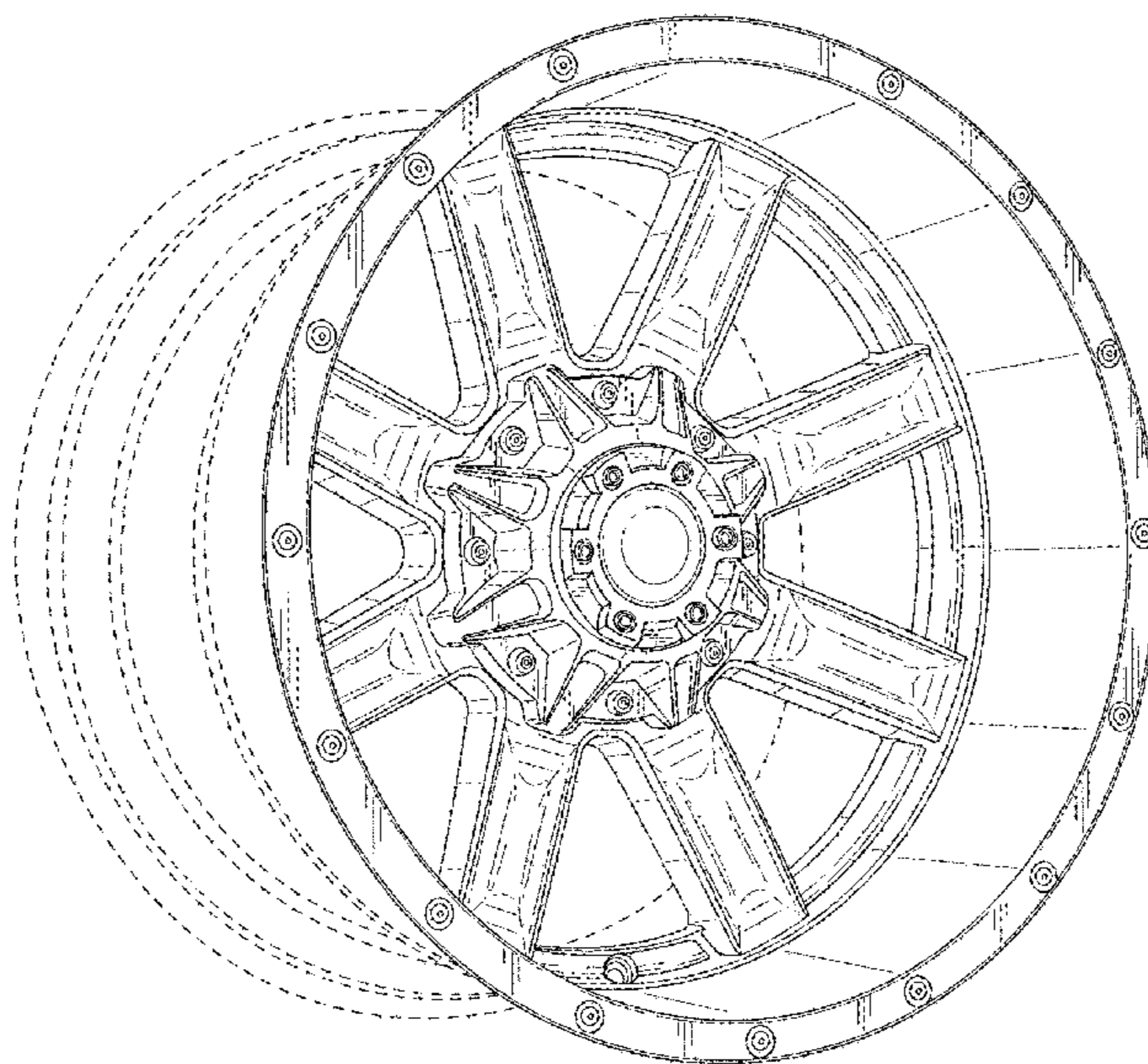
(57) **CLAIM**

I claim the ornamental design for a vehicle wheel, as shown and described.

**DESCRIPTION**

FIG. 1 is a perspective view of the vehicle wheel showing my new design; and, FIG. 2 is a front view of the vehicle wheel. The broken lines showing the rear portion of the vehicle wheel are included for the purpose of illustrating environment and form no part of the claimed design.

**1 Claim, 2 Drawing Sheets**



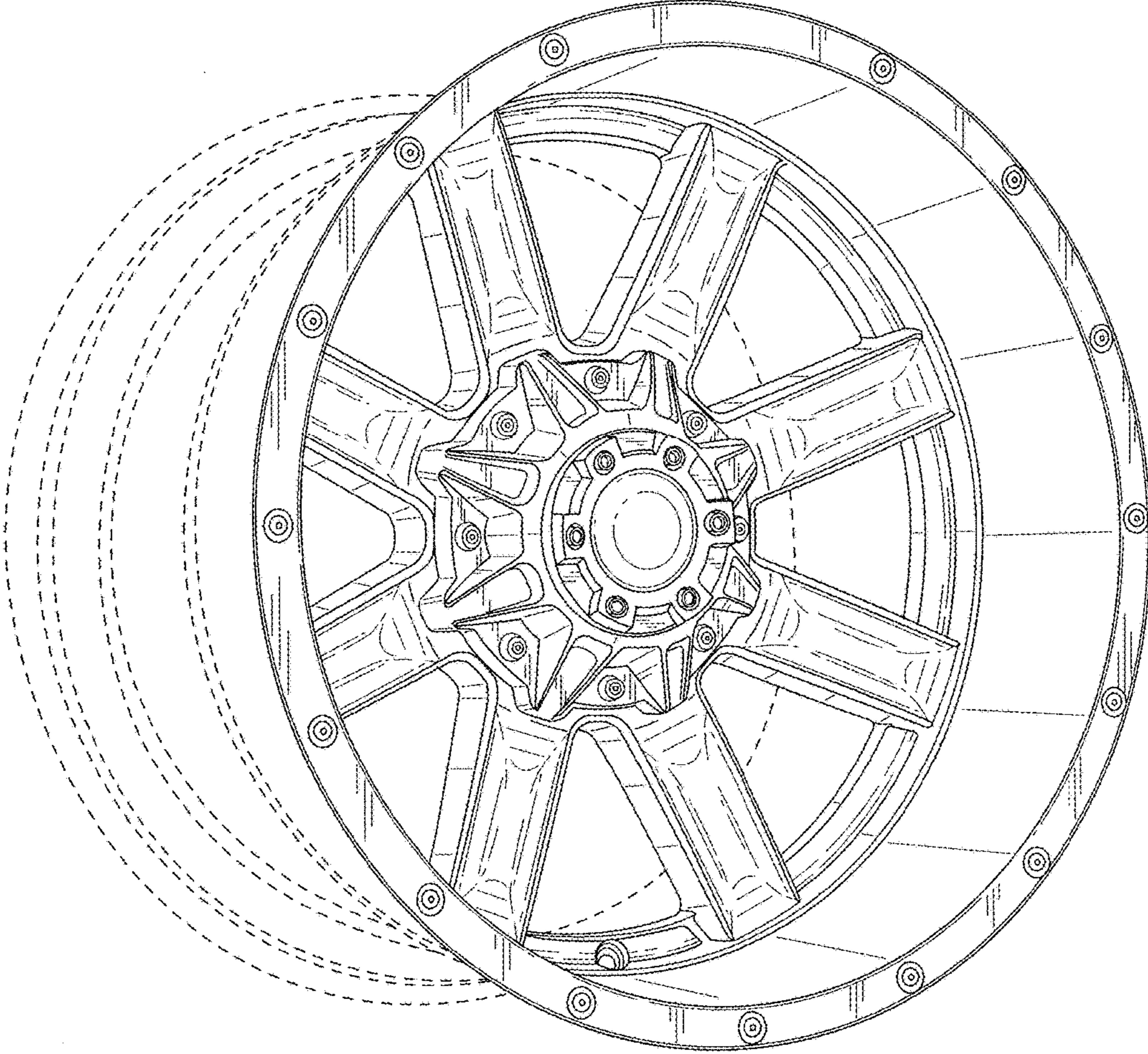


FIG. 1

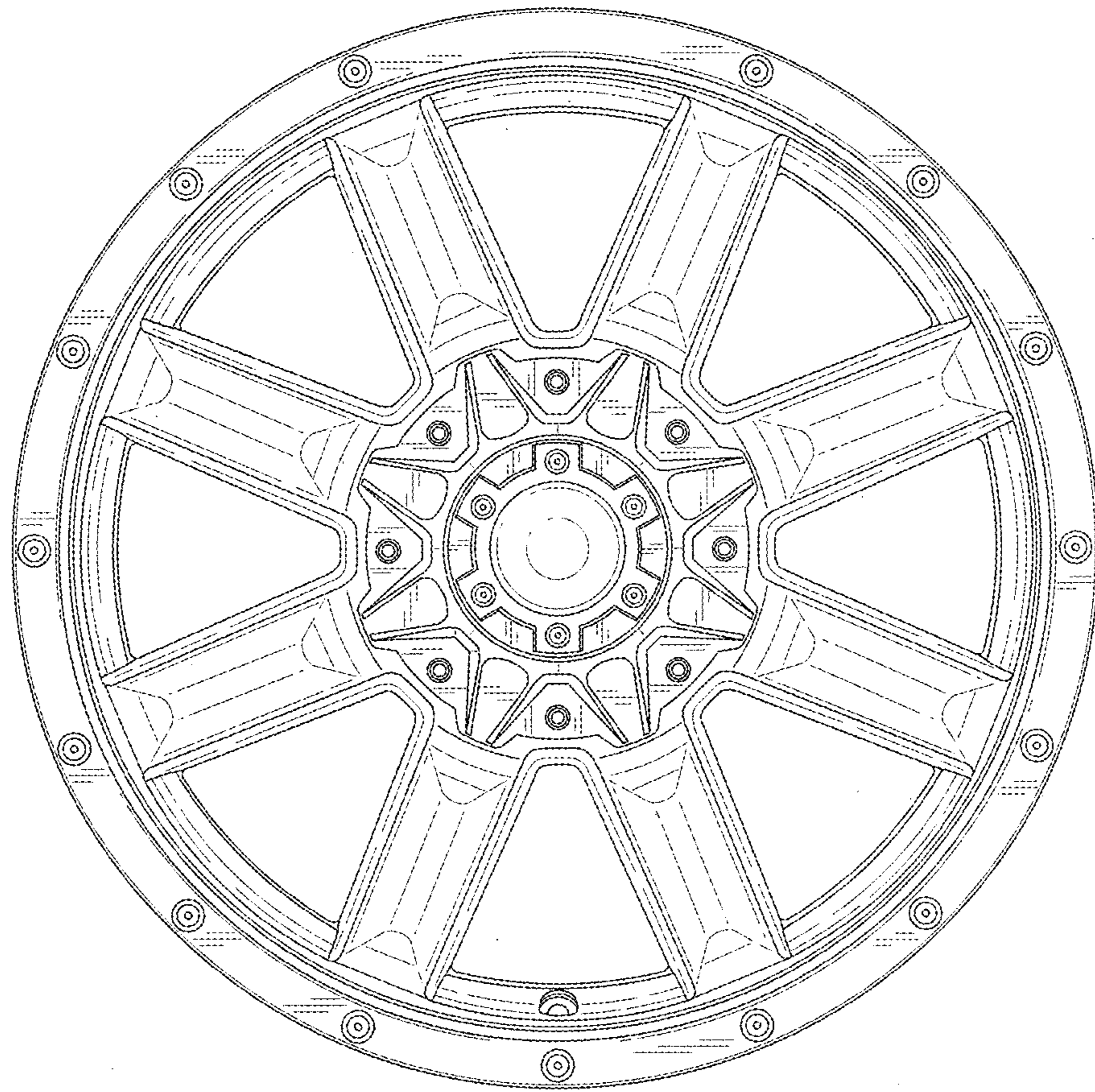


FIG. 2