



US00D799395S

(12) **United States Design Patent**
Chung

(10) **Patent No.:** **US D799,395 S**

(45) **Date of Patent:** **** Oct. 10, 2017**

(54) **WHEEL**

(71) Applicant: **Wheel Pros, LLC**, Greenwood Village,
CO (US)

(72) Inventor: **Suny Chung**, Anaheim, CA (US)

(**) Term: **15 Years**

(21) Appl. No.: **29/582,738**

(22) Filed: **Oct. 30, 2016**

(51) **LOC (10) Cl.** **12-16**

(52) **U.S. Cl.**
USPC **D12/209**

(58) **Field of Classification Search**
USPC D12/204–213
CPC B60B 7/00; B60B 7/02; B60B 7/04; B60B
7/01; B60B 7/06; B60B 3/02; B60B 3/04;
B60B 3/06; B60B 3/10; B60B 1/00;
B60B 1/08; B60B 1/10; B60B 1/12
See application file for complete search history.

D584,211 S *	1/2009	Farny	D12/211
D585,801 S	2/2009	Wang	
D594,397 S *	6/2009	Laengerer	D12/211
D594,801 S *	6/2009	Imai	D12/211
D621,765 S *	8/2010	Baum	D12/209
D625,675 S *	10/2010	Juergens	D12/209
D627,697 S	11/2010	Wang	
D634,691 S *	3/2011	Park	D12/211
D644,977 S *	9/2011	Juergens	D12/211
D651,150 S	12/2011	Biewer	
D651,151 S	12/2011	Biewer	
D660,762 S *	5/2012	Gabath	D12/209
D671,059 S *	11/2012	Pollmann	D12/209
D672,702 S *	12/2012	Pollmann	D12/211
D673,104 S *	12/2012	Lemke	D12/211
D698,298 S	1/2014	Cortes	
D711,304 S	8/2014	Chung	
D715,211 S	10/2014	Gotschke	
D718,206 S *	11/2014	Song	D12/211
D731,390 S *	6/2015	Kobayashi	D12/211
D760,143 S *	6/2016	Gallert	D12/211
D761,182 S *	7/2016	Valencia Pollex	D12/211
D765,572 S *	9/2016	Umehara	D12/209
D769,169 S *	10/2016	Kumeya	D12/211
D769,170 S *	10/2016	Johnson	D12/211
D784,894 S *	4/2017	Gardavsky	D12/211

(Continued)

(56) **References Cited**

U.S. PATENT DOCUMENTS

D273,102 S	3/1984	Woodward	
D291,796 S	9/1987	Reid	
D361,975 S	9/1995	Weld	
D408,775 S	4/1999	Shikado	
D455,698 S	4/2002	Chung	
D467,212 S	12/2002	Noriega	
D478,542 S	8/2003	Sulahian	
D482,996 S	12/2003	Sulahian	
D492,925 S	7/2004	Fitzgerald	
D496,317 S	9/2004	Kataoka	
D522,434 S *	6/2006	Langer	D12/209
D538,726 S	3/2007	Wright	
D538,727 S	3/2007	Wright	
D567,167 S *	4/2008	Forster	D12/211
D583,290 S	12/2008	Wang	

Primary Examiner — Stacia Cadmus

(74) *Attorney, Agent, or Firm* — Eric Hanscom

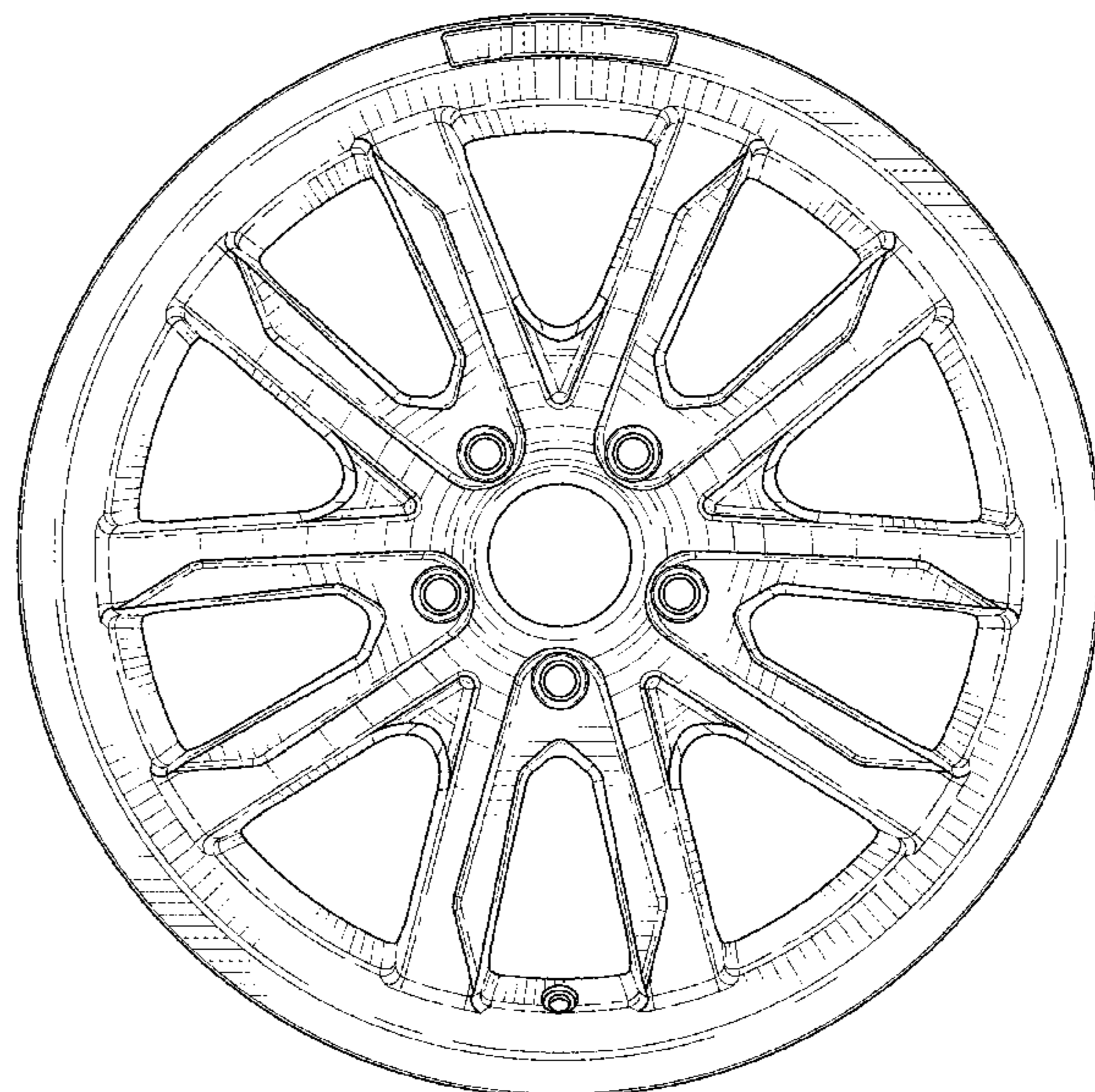
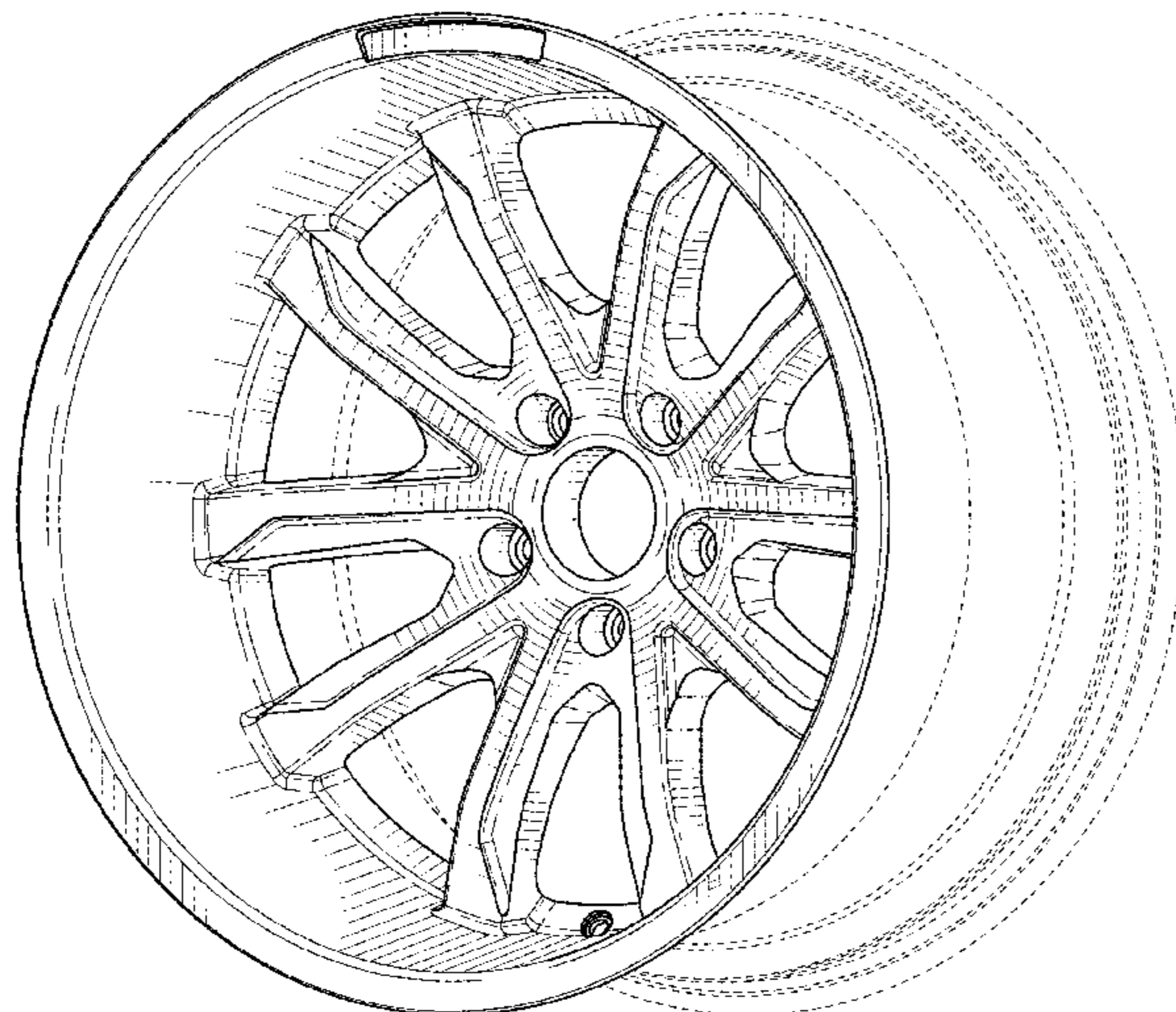
(57) **CLAIM**

The ornamental design for a wheel, as shown and described.

DESCRIPTION

FIG. 1 is a perspective view of a wheel showing my new design; and,
FIG. 2 is a front view thereof.
In the drawings, the broken lines depict environmental subject matter only and form no part of the claimed design.

1 Claim, 2 Drawing Sheets



(56)

References Cited

U.S. PATENT DOCUMENTS

D786,159 S *	5/2017	Boyd	D12/211
D789,862 S *	6/2017	Yoneyama	D12/209
D791,039 S *	7/2017	Rueckheim	D12/209
D791,050 S *	7/2017	Juergens	D12/211
D792,303 S *	7/2017	Chung	D12/209
D792,830 S *	7/2017	Groth	D12/211
D793,940 S *	8/2017	Gardavsky	D12/211

* cited by examiner

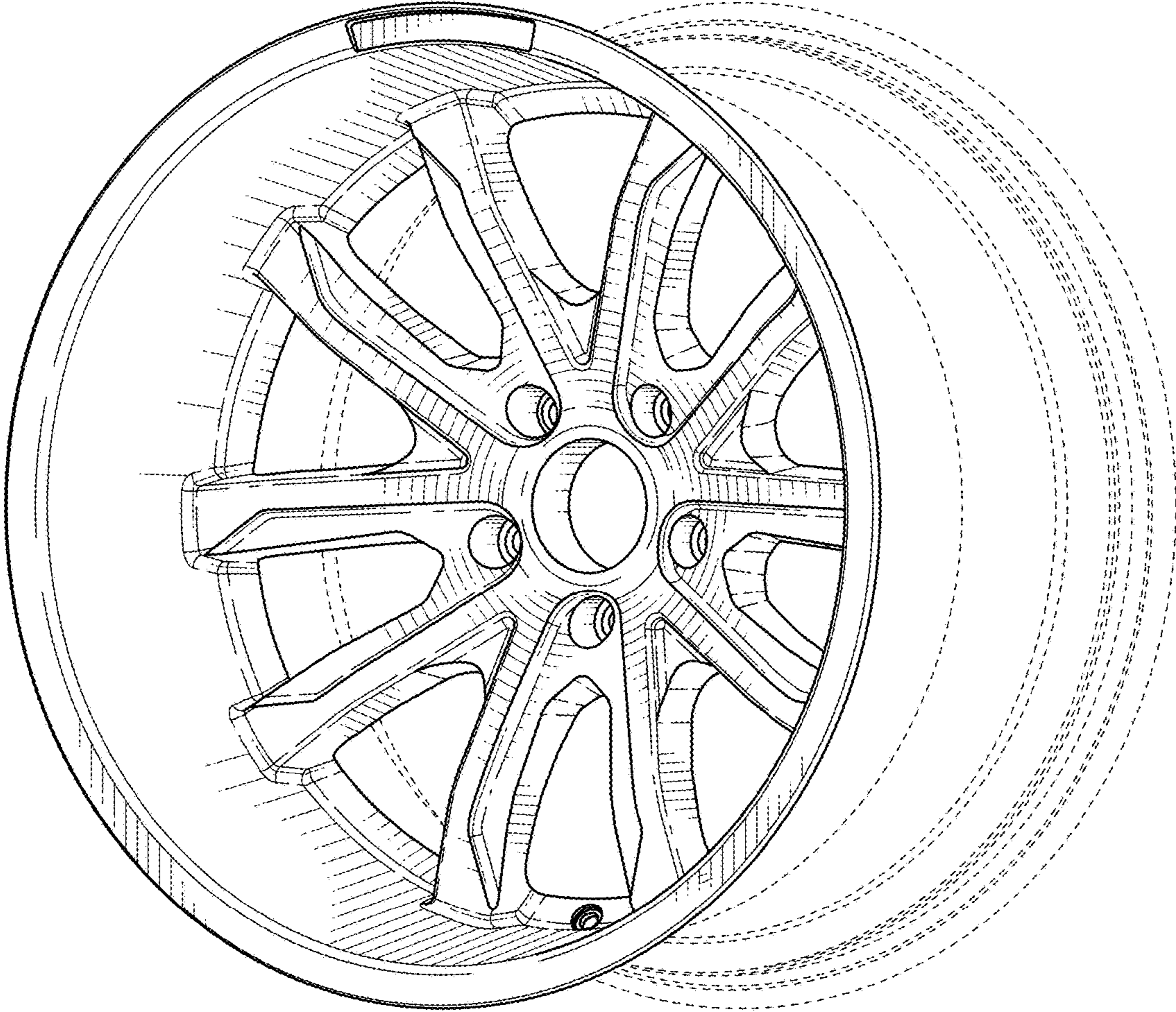


FIG. 1

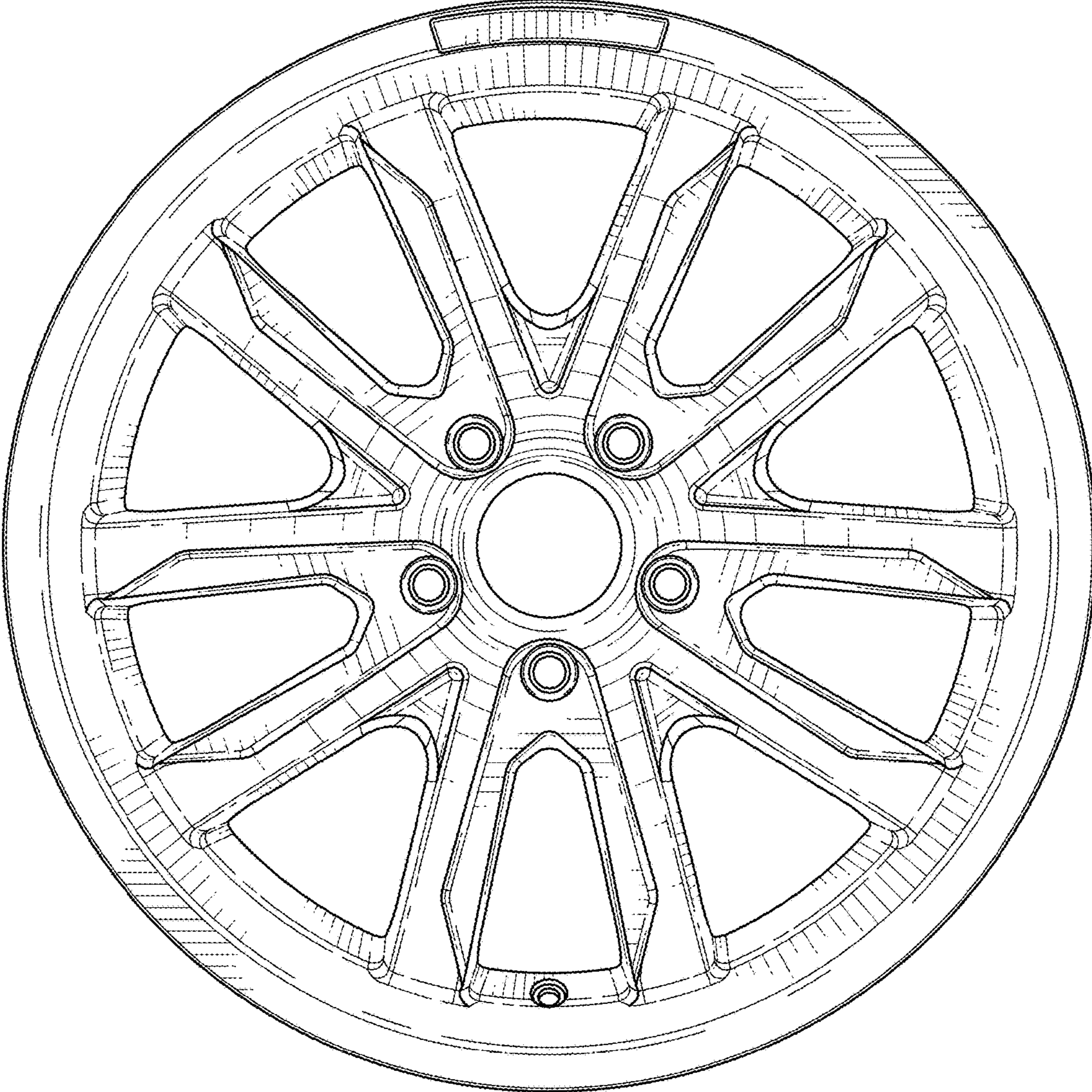


FIG. 2