



US00D799390S

(12) **United States Design Patent** (10) **Patent No.:** **US D799,390 S**  
**Lazzara** (45) **Date of Patent:** **\*\* Oct. 10, 2017**

(54) **AUTOMOBILE FLOOR MAT**  
 (71) Applicant: **Joseph Lazzara**, Brossard (CA)  
 (72) Inventor: **Joseph Lazzara**, Brossard (CA)  
 (\*\*) Term: **15 Years**  
 (21) Appl. No.: **29/563,684**  
 (22) Filed: **May 6, 2016**  
 (51) **LOC (10) Cl.** ..... **12-16**  
 (52) **U.S. Cl.**  
 USPC ..... **D12/203**  
 (58) **Field of Classification Search**  
 USPC .... D12/89, 92, 98, 125, 163, 164, 169, 196,  
 D12/203, 221, 314, 400; D6/582-586,  
 D6/592-594; D25/62-65, 68, 69, 156;  
 280/5.3, 163, 164.2, 166, 169, 291, 507,  
 280/770; 182/64.1, 127; 238/14;  
 428/81, 82, 85; 15/215, 217; 296/97.23  
 CPC .... B60D 1/00; B60N 2/00; B60R 1/00; B60R  
 3/00; B60R 3/02; B60R 3/002; B60R  
 3/005; B60R 3/007; B60R 13/01  
 See application file for complete search history.

(56) **References Cited**  
 U.S. PATENT DOCUMENTS  
 1,896,975 A 2/1933 Humphrey et al.  
 4,721,641 A 1/1988 Bailey  
 4,748,063 A 5/1988 Reuben  
 4,810,024 A 3/1989 Heller  
 D331,904 S \* 12/1992 Maresca ..... D12/203  
 6,027,782 A 2/2000 Sherman  
 D438,152 S \* 2/2001 Hussaini ..... D12/203

7,727,612 B2 6/2010 Haraguchi et al.  
 D692,362 S \* 10/2013 Bobo ..... D12/203  
 D697,465 S \* 1/2014 Lu ..... D12/203  
 D782,382 S \* 3/2017 Jaimes ..... D12/203  
 2008/0233337 A1 9/2008 Wilson et al.  
 2011/0009994 A1 1/2011 MacNeil et al.  
 2013/0049396 A1\* 2/2013 Goto ..... B60N 3/046  
 296/97.23

\* cited by examiner

*Primary Examiner* — Wan Laymon  
*Assistant Examiner* — Clint A Samuel  
 (74) *Attorney, Agent, or Firm* — Robert C. Montgomery;  
 Montgomery Patent & Design

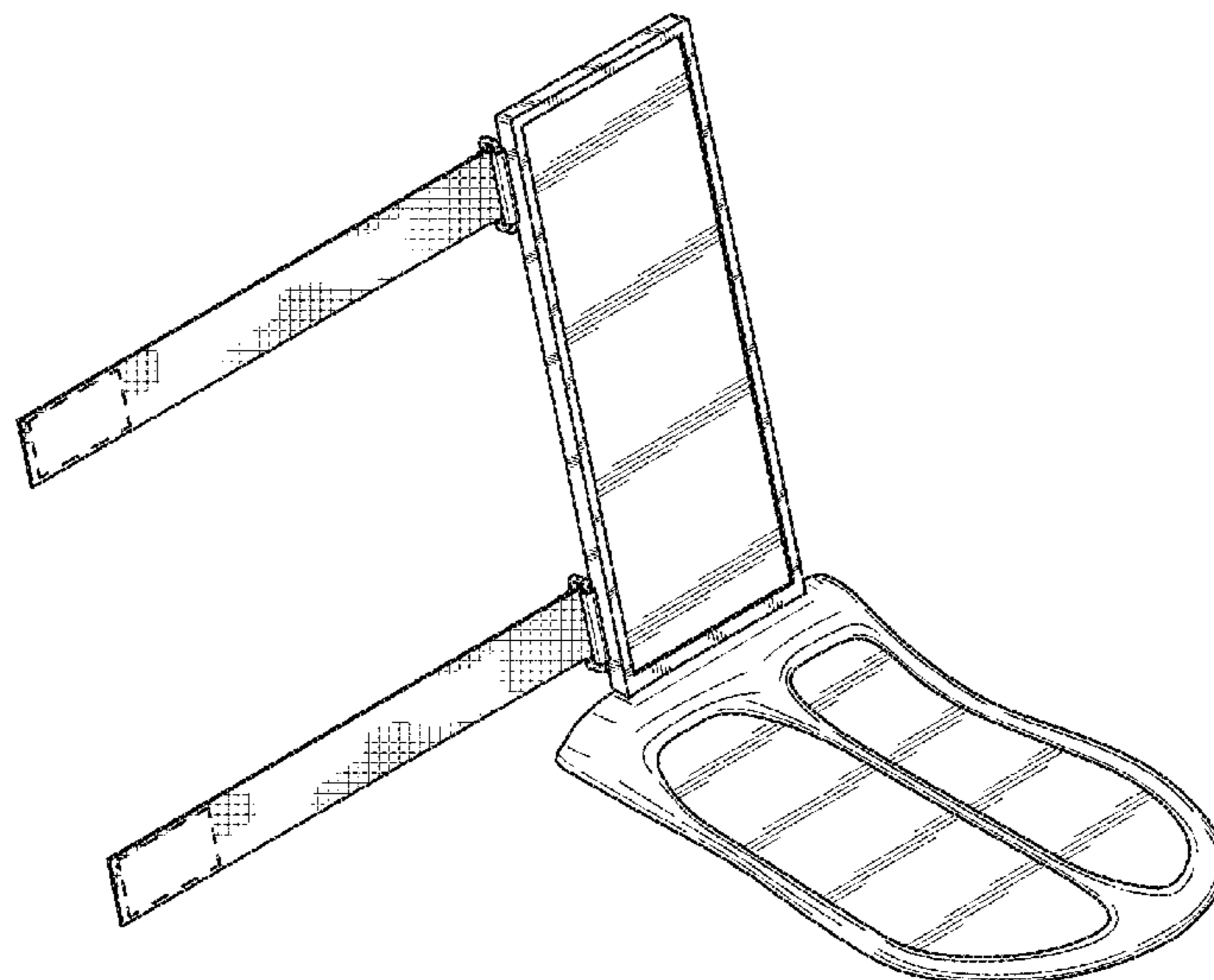
(57) **CLAIM**

The ornamental design for an automobile floor mat, as shown and described.

**DESCRIPTION**

FIG. 1 is a front perspective view of an automobile floor mat, showing my new design;  
 FIG. 2 is a rear perspective view thereof;  
 FIG. 3 is a front elevation view thereof;  
 FIG. 4 is a rear elevation view thereof;  
 FIG. 5 is a left side elevation view thereof;  
 FIG. 6 is a right side elevation view thereof;  
 FIG. 7 is a top plan view thereof; and,  
 FIG. 8 is a bottom plan view thereof.  
 The broken line showing in the drawings is included for the purpose of illustrating unclaimed portions of the automobile floor mat and forms no part of the claimed design.

**1 Claim, 7 Drawing Sheets**



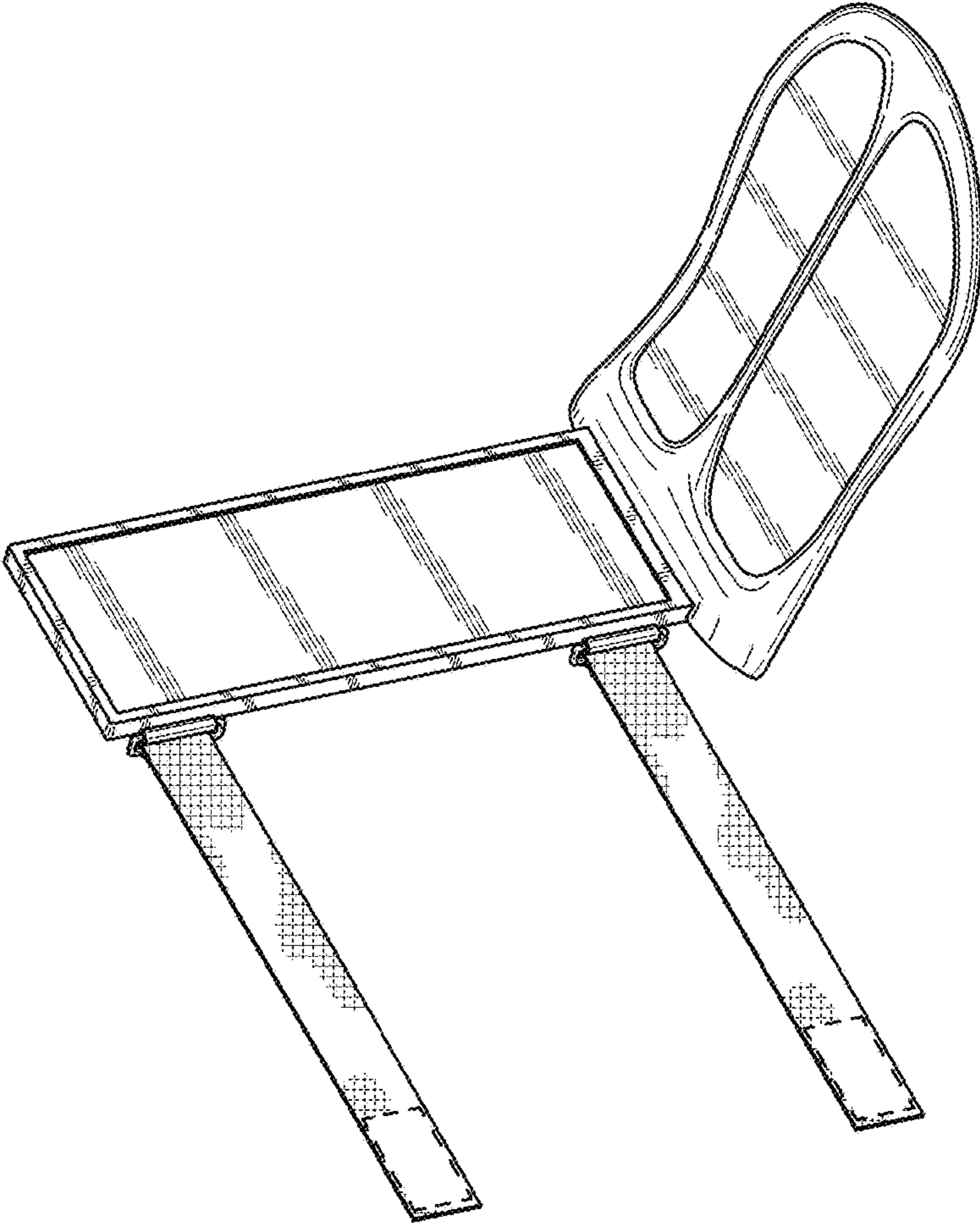


FIG. 1

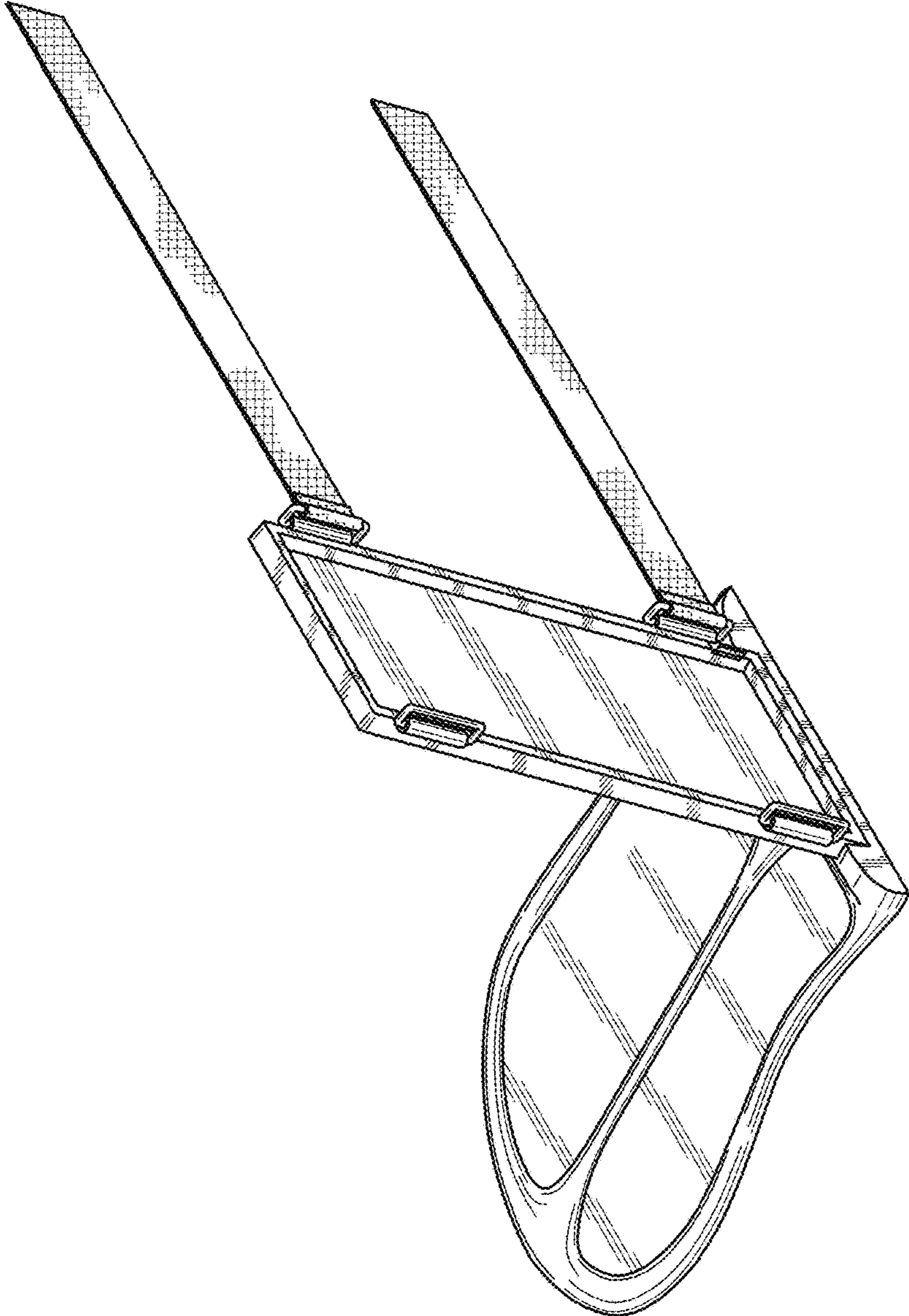


FIG. 2

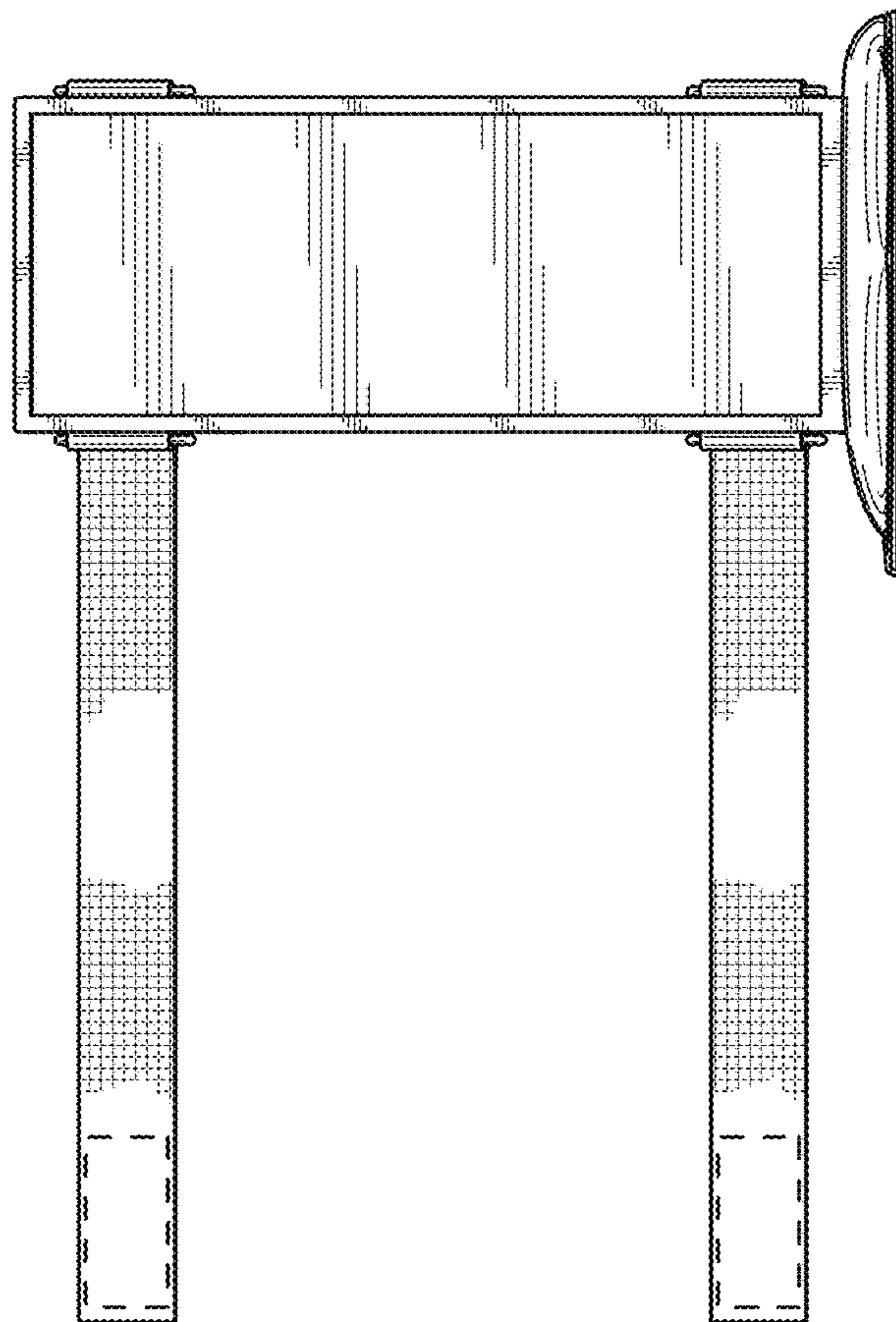


FIG. 3



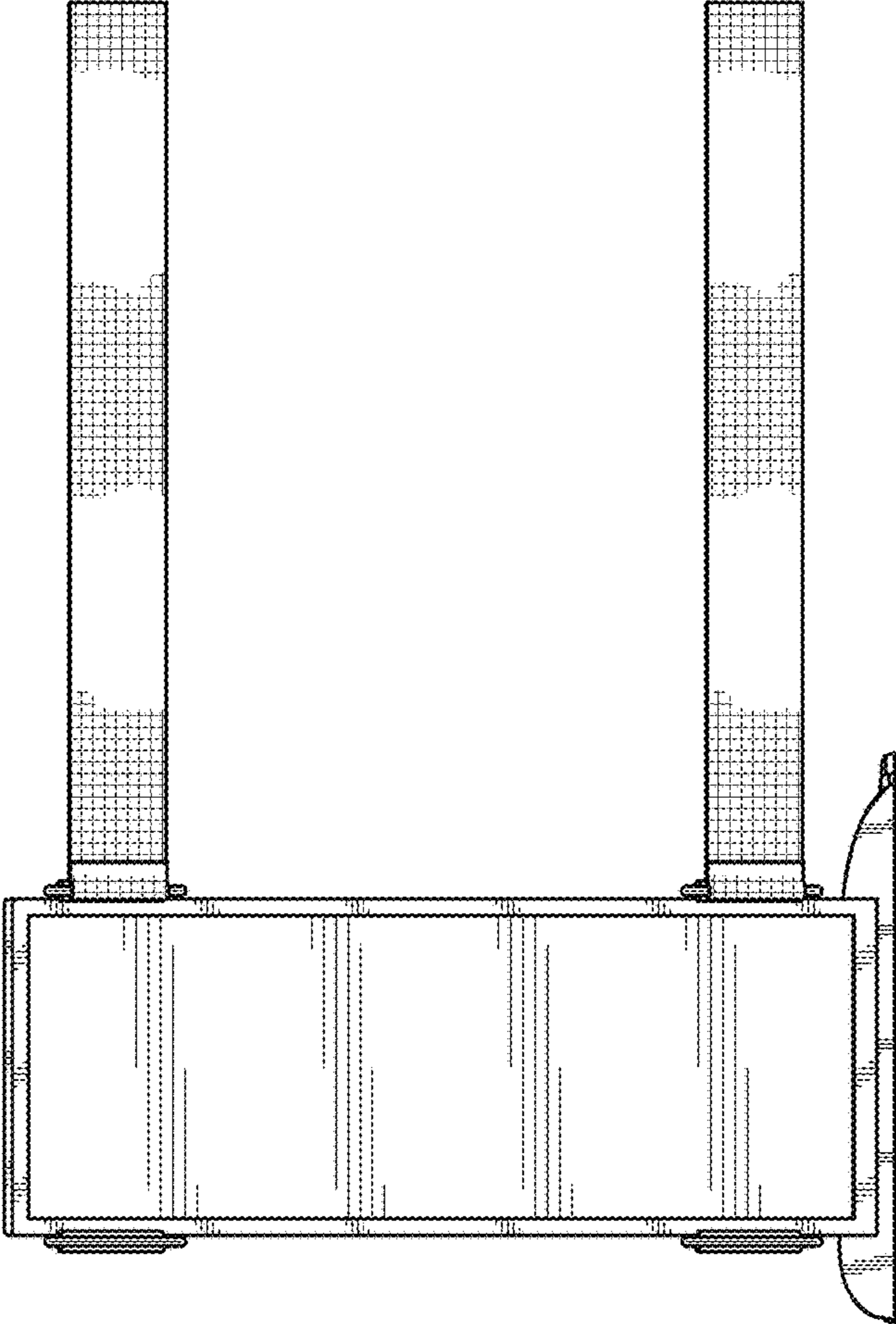


FIG. 4

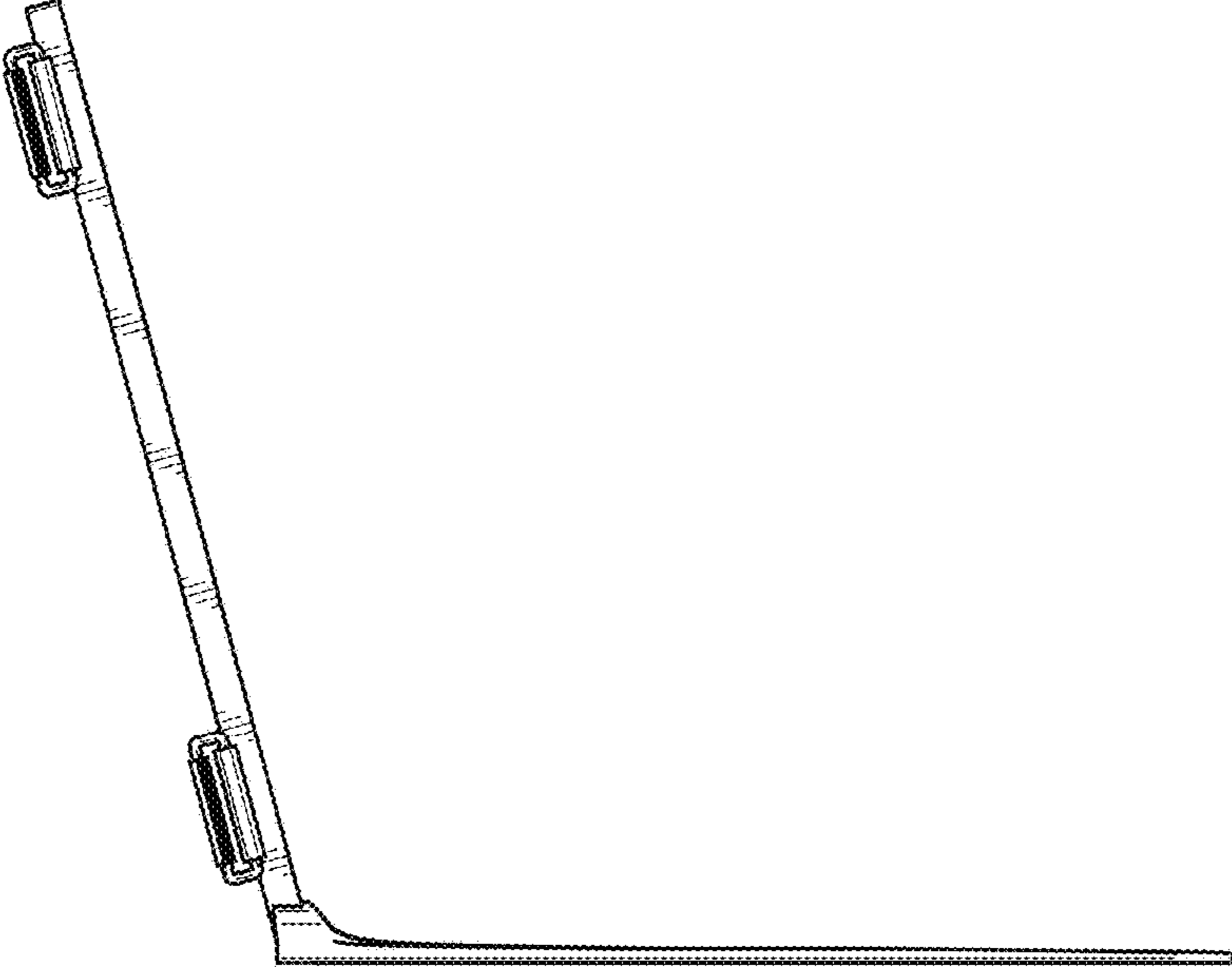


FIG. 5

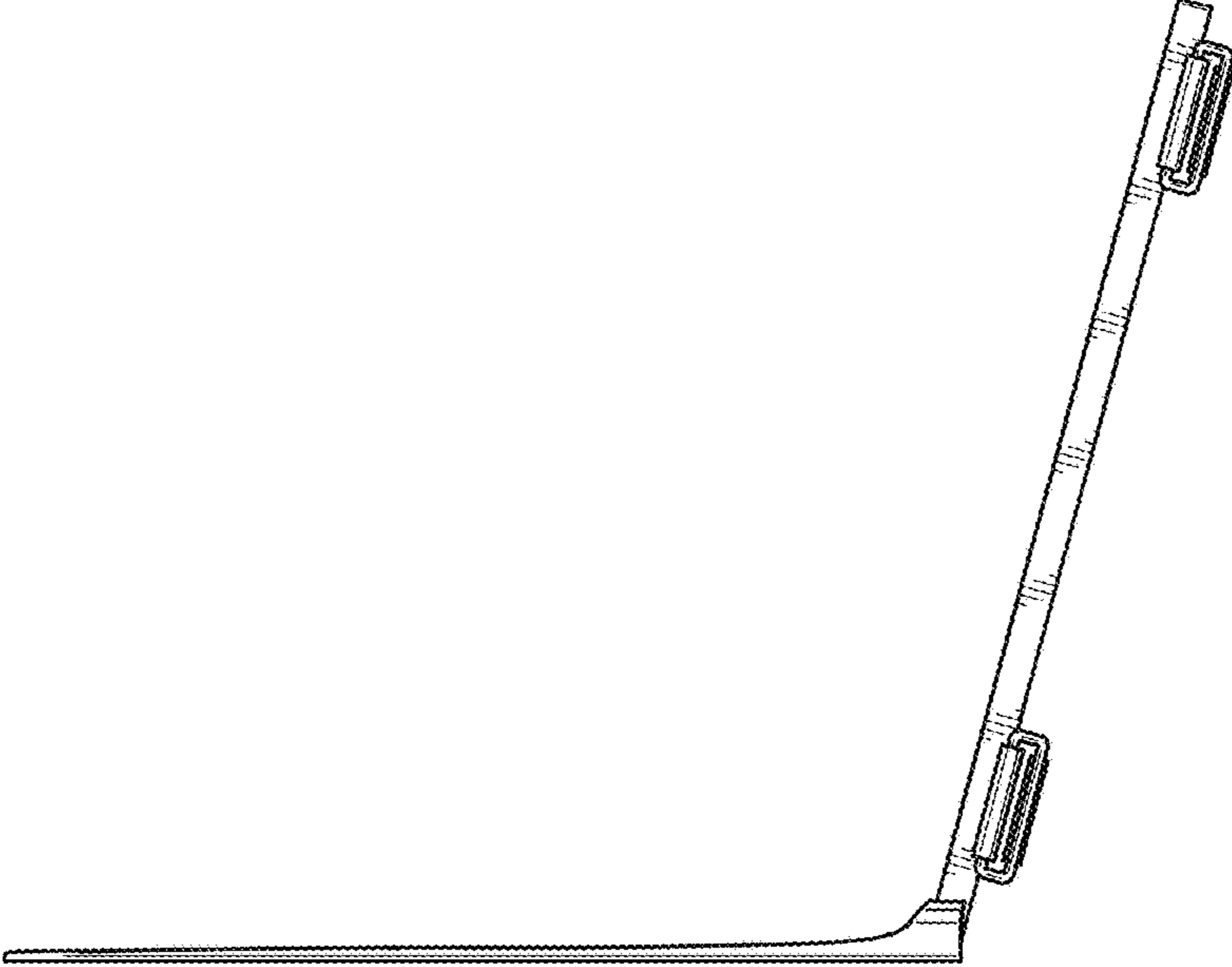


FIG. 6

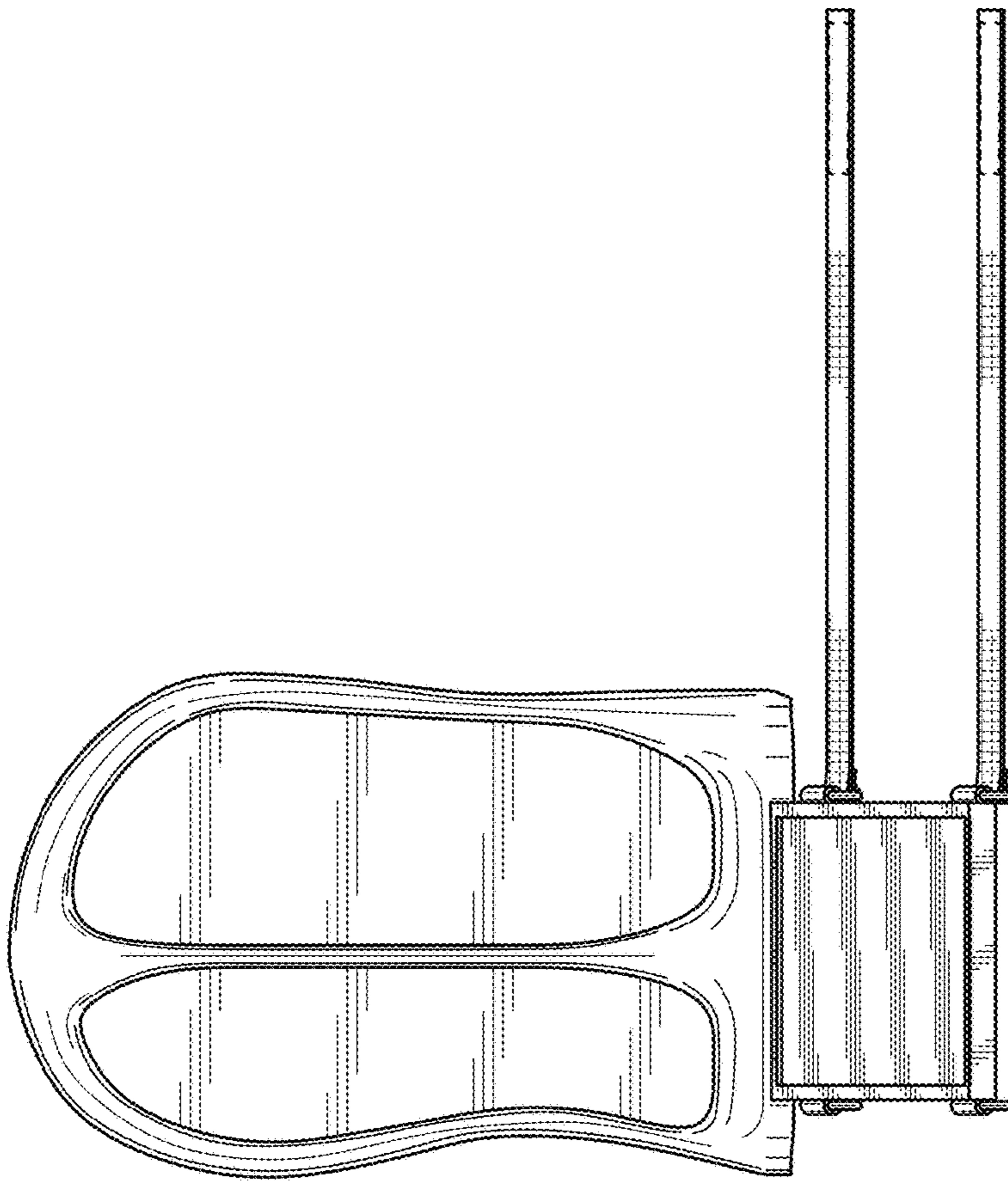


FIG. 7

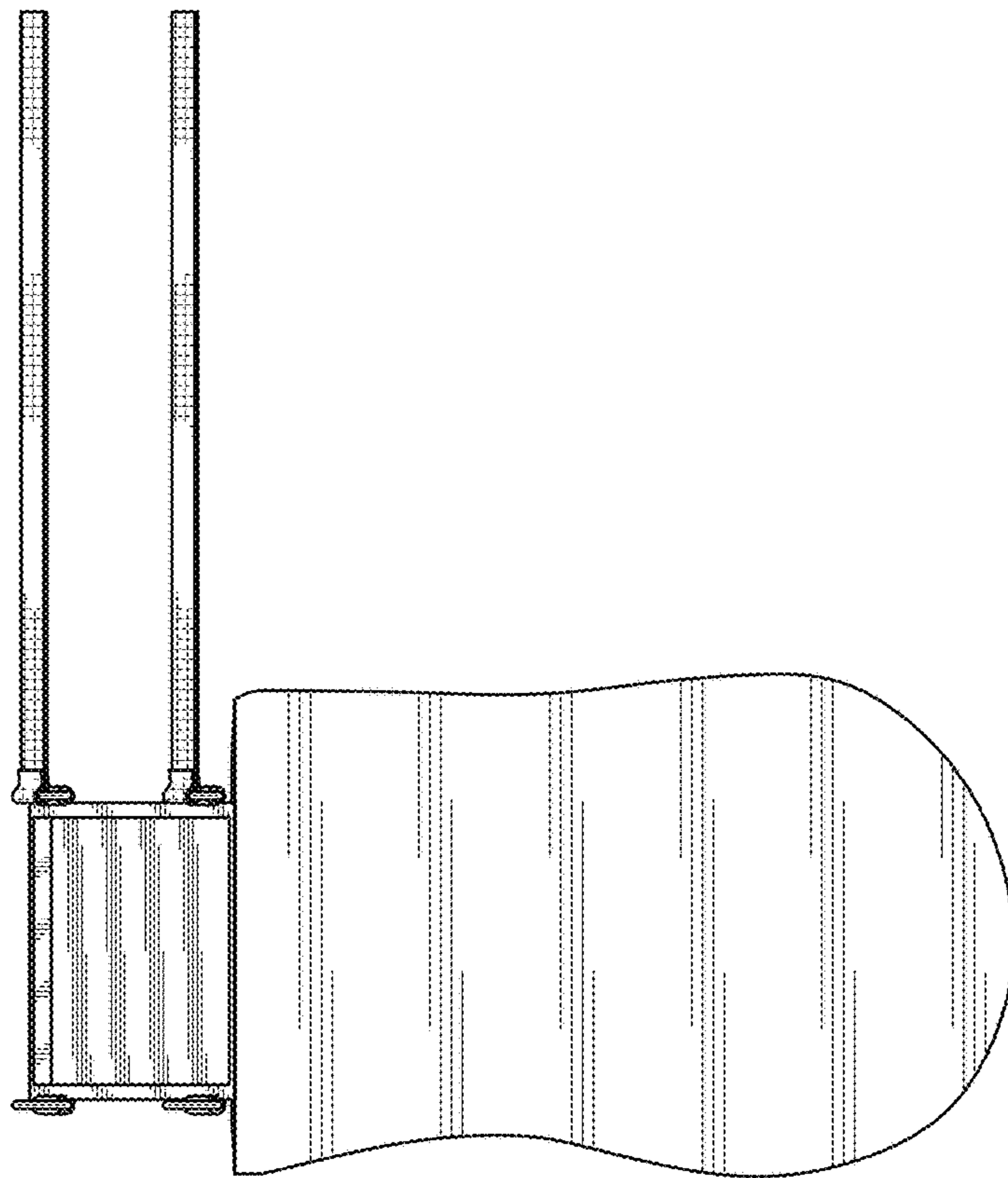


FIG. 8