



US00D799389S

(12) **United States Design Patent**
Lee et al.

(10) **Patent No.:** **US D799,389 S**
(45) **Date of Patent:** **** Oct. 10, 2017**

(54) **AUTOMOBILE DASHBOARD DISPLAY**

FOREIGN PATENT DOCUMENTS

(71) Applicant: **Bentley Motors Limited**, Cheshire (GB)

EM 003008754-0006 * 3/2016
EM 003008754-0007 * 3/2016

(72) Inventors: **Sang Yup Lee**, Chester (GB); **Luc Donckerwolke**, Cheshire (GB)

OTHER PUBLICATIONS

(73) Assignee: **Bentley Motors Limited**, Cheshire (GB)

NPL #1: F15 X6 6WB Digital Display Gauge Cluster Retrofit, posted at bimmerpost.com, posting Sep. 26, 2014, © 2000-2016 Jelsoft Enterprises Ltd., [online], [site visited Dec. 22, 2016]. Available from Internet, <URL:http://f15.bimmerpost.com/forums/showthread.php?t=1039855>.*

(**) Term: **15 Years**

Primary Examiner — Lakiya Rogers

(21) Appl. No.: **29/556,539**

Assistant Examiner — Altaira Swangin

(22) Filed: **Mar. 1, 2016**

(74) *Attorney, Agent, or Firm* — Tarolli, Sundheim, Covell & Tummino LLP; John A. Yirga, Esq.

(51) **LOC (10) Cl.** **12-16**

(52) **U.S. Cl.**

USPC **D12/192**

(58) **Field of Classification Search**

USPC D21/477; D10/102; D12/192; 296/97.1, 296/37.18; 362/492; 702/165

CPC B60R 21/045; B60K 35/00

See application file for complete search history.

(57) **CLAIM**

The ornamental design for an automobile dashboard display, as shown and described.

DESCRIPTION

FIG. 1 is a front perspective view of an automobile dashboard display in accordance with the present disclosure;

FIG. 2 is a rear perspective view thereof;

FIG. 3 is a front elevation view thereof;

FIG. 4 is a top plan view thereof;

FIG. 4A is a magnified view of an encircled portion of a view in FIG. 4 identified by reference character 4A;

FIG. 4B is a magnified view of an encircled portion of a view in FIG. 4 identified by reference character 4B;

FIG. 5 is a left side elevation view thereof;

FIG. 6 is a right side elevation view thereof;

FIG. 6A is a magnified view of an encircled portion of a view in FIG. 6 identified by reference character 6A; and,

FIG. 7 is a rear elevation view thereof.

Those portions of the Figures shown in broken lines are included for environmental purposes only and form no part of the claimed design.

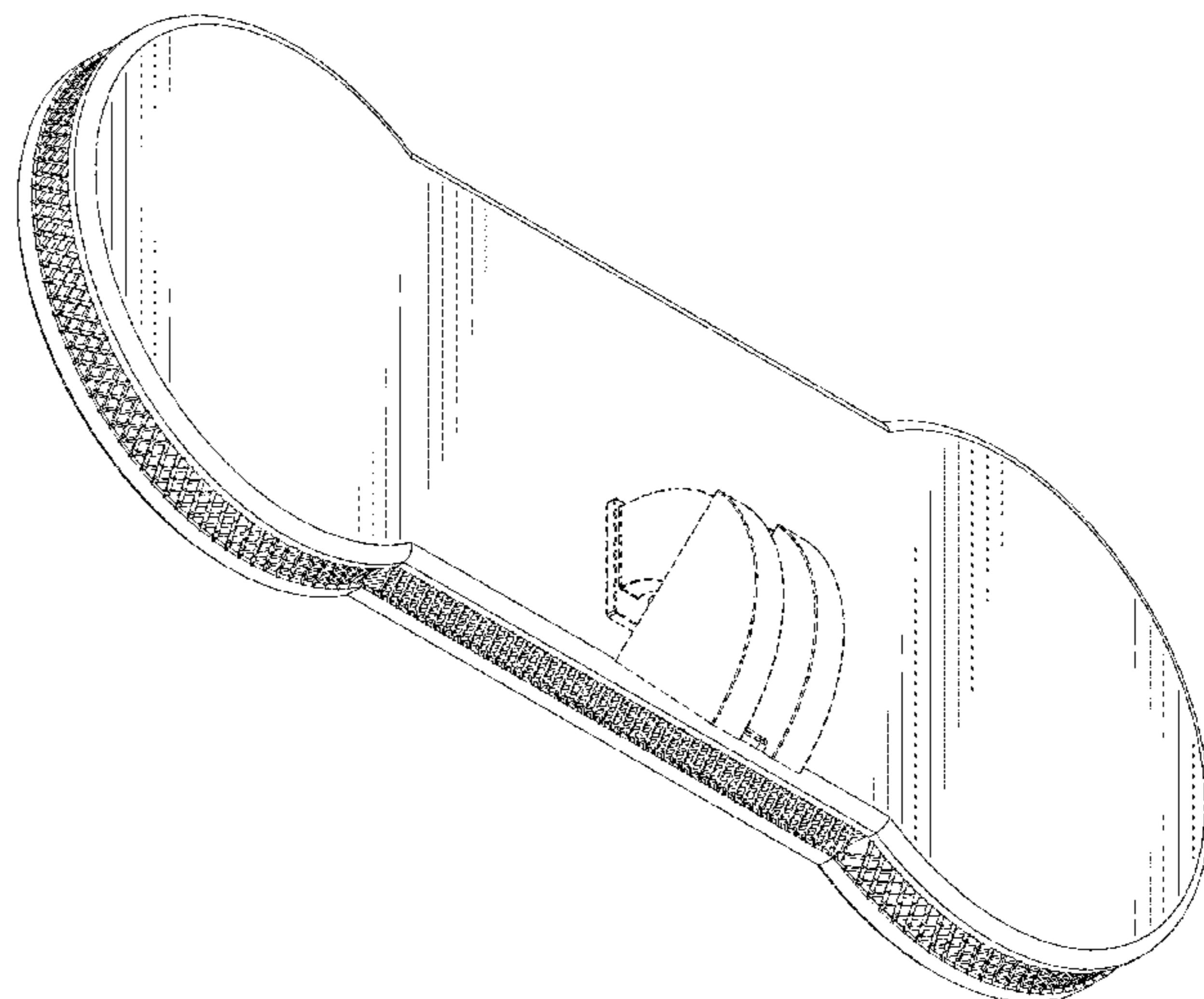
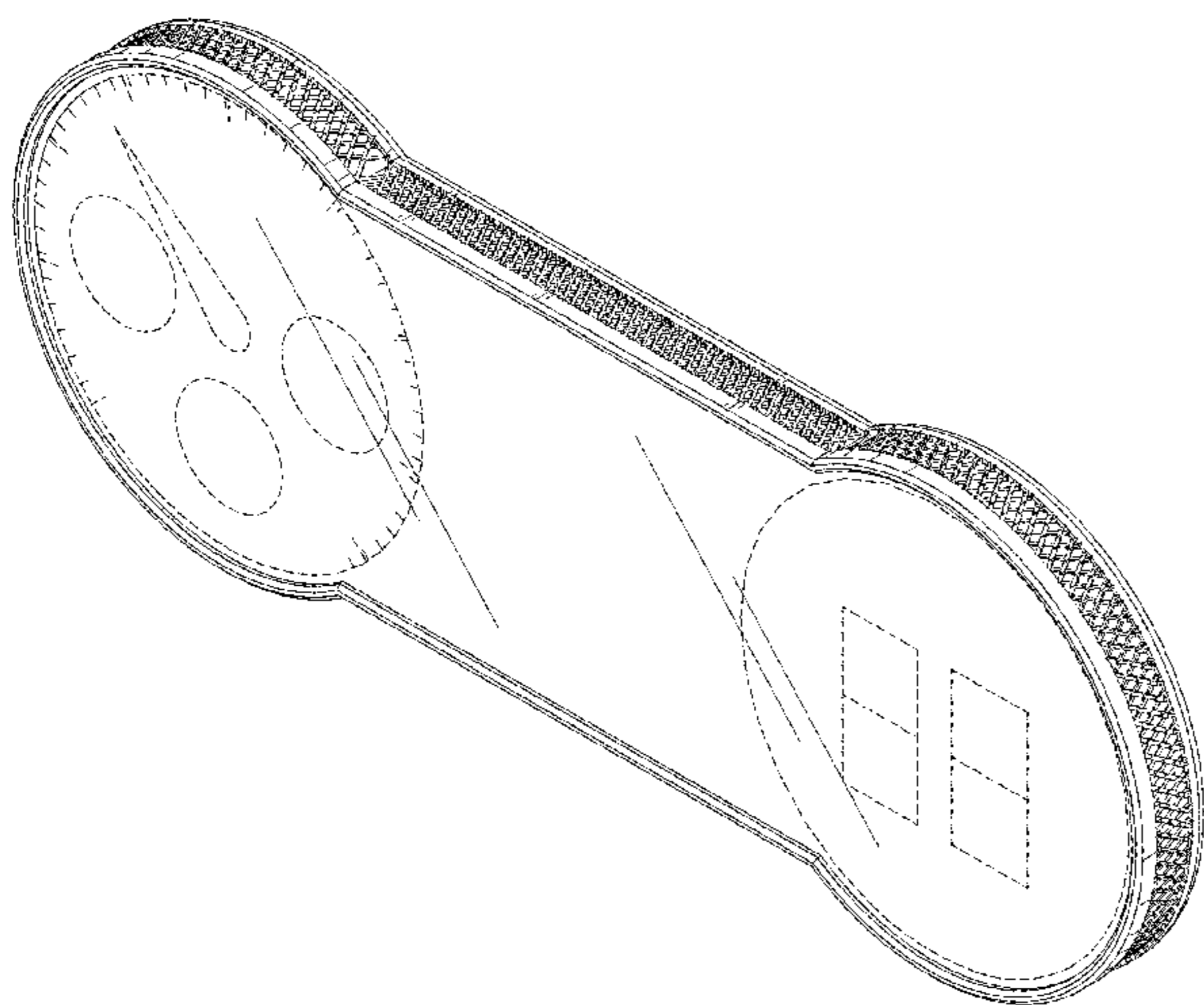
(56) **References Cited**

U.S. PATENT DOCUMENTS

D152,997 S * 3/1949 Macauley D12/192
D195,783 S * 7/1963 Woods, Jr. D10/102
D261,752 S * 11/1981 Iwakura D10/102
5,824,949 A * 10/1998 Schach B60K 35/00
174/378
D467,845 S * 12/2002 Pfeiffer D12/192
D474,294 S * 5/2003 Smith D26/37
D513,485 S * 1/2006 Pfeiffer D12/192
D514,041 S * 1/2006 Pfeiffer D12/192
D516,482 S * 3/2006 Pfeiffer D12/192
D529,847 S * 10/2006 Montijo D12/192
D542,721 S * 5/2007 Kraus D12/192
D546,744 S * 7/2007 Fukumoto D12/192
D553,619 S * 10/2007 Mak D14/401

(Continued)

1 Claim, 7 Drawing Sheets



(56)

References Cited

U.S. PATENT DOCUMENTS

D554,015 S * 10/2007 Shimizugami D10/102
D575,647 S * 8/2008 Lobermeier D10/102
D607,945 S * 1/2010 Guinchard D21/324
D635,073 S * 3/2011 Nield D12/192
8,878,662 B2 * 11/2014 Fuke B60K 35/00
340/438
8,933,799 B2 * 1/2015 Katoh B60K 35/00
340/425.5
8,939,869 B2 * 1/2015 Fuke F02D 29/02
340/439
D727,814 S * 4/2015 Paulke D12/192
9,031,770 B2 * 5/2015 Yamasaki B60W 50/14
340/439
9,302,585 B2 * 4/2016 Funada B60K 35/00
D763,359 S * 8/2016 Kwong D14/401
D777,631 S * 1/2017 Webb D12/192
D779,405 S * 2/2017 Arceo D12/192
D780,079 S * 2/2017 Webb D12/192
D786,759 S * 5/2017 Webb D12/192
2015/0149040 A1 * 5/2015 Hueger B62D 13/06
701/41
2015/0343902 A1 * 12/2015 Horton B60K 37/04
296/70
2016/0052392 A1 * 2/2016 Terashima B60K 35/00
359/601
2016/0252373 A1 * 9/2016 Fujita G01D 13/04
2017/0096097 A1 * 4/2017 Koch B60Q 3/044
2017/0106628 A1 * 4/2017 Hattori B32B 15/08
2017/0106810 A1 * 4/2017 Hattori B60K 35/00
2017/0129337 A1 * 5/2017 Sano B29C 33/42
2017/0151874 A1 * 6/2017 Tollis B60K 35/00

* cited by examiner

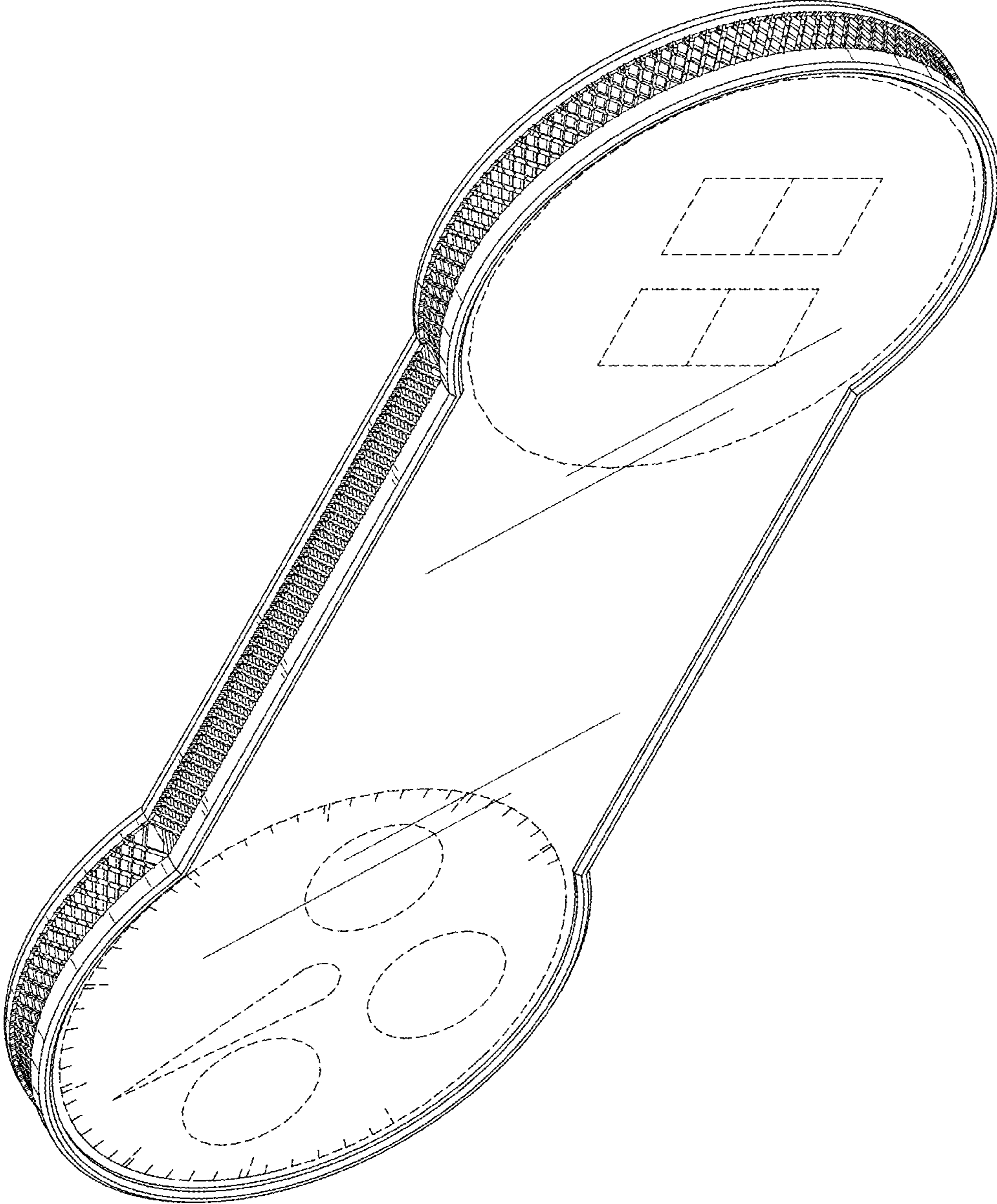


FIG. 1

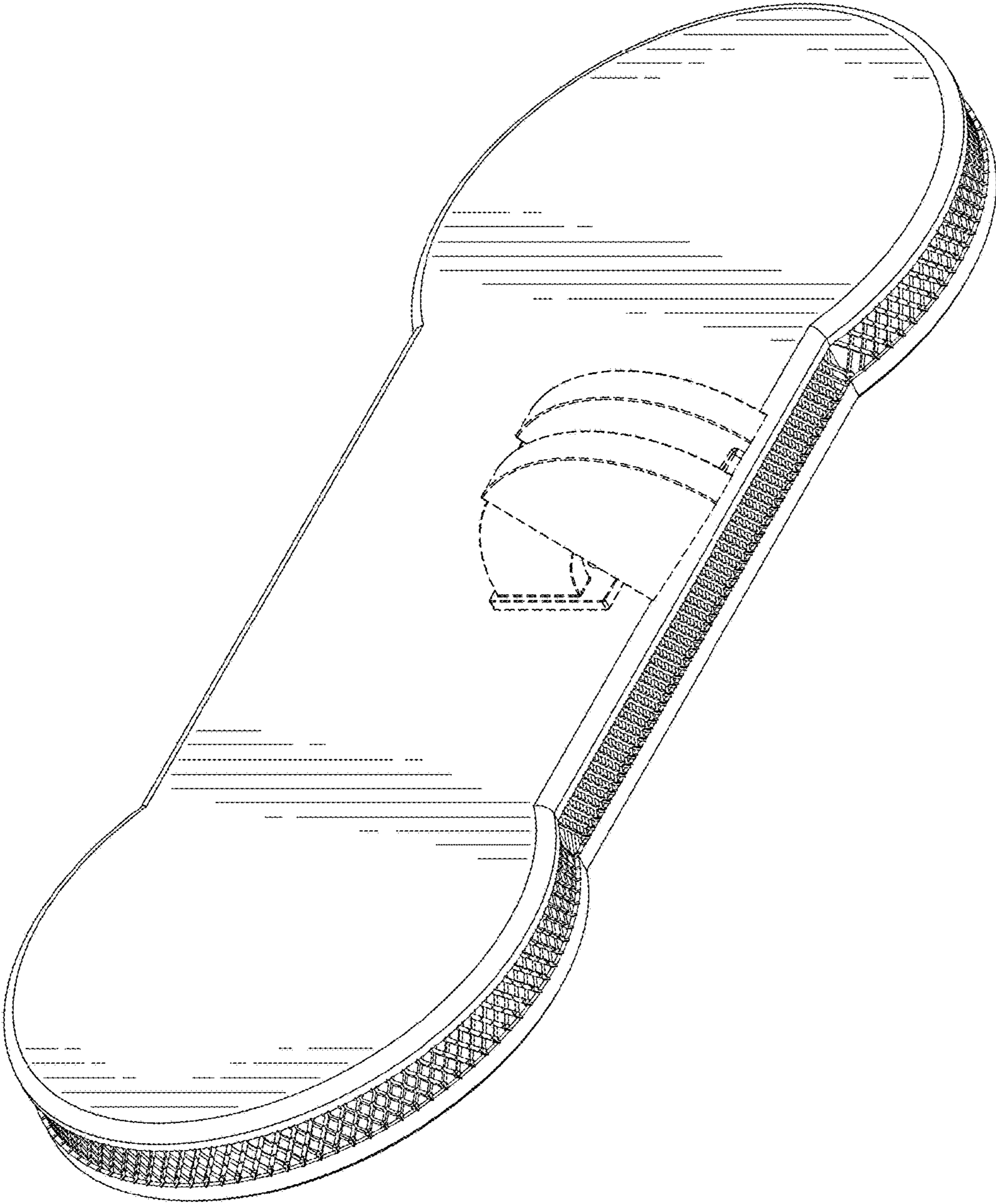


FIG. 2

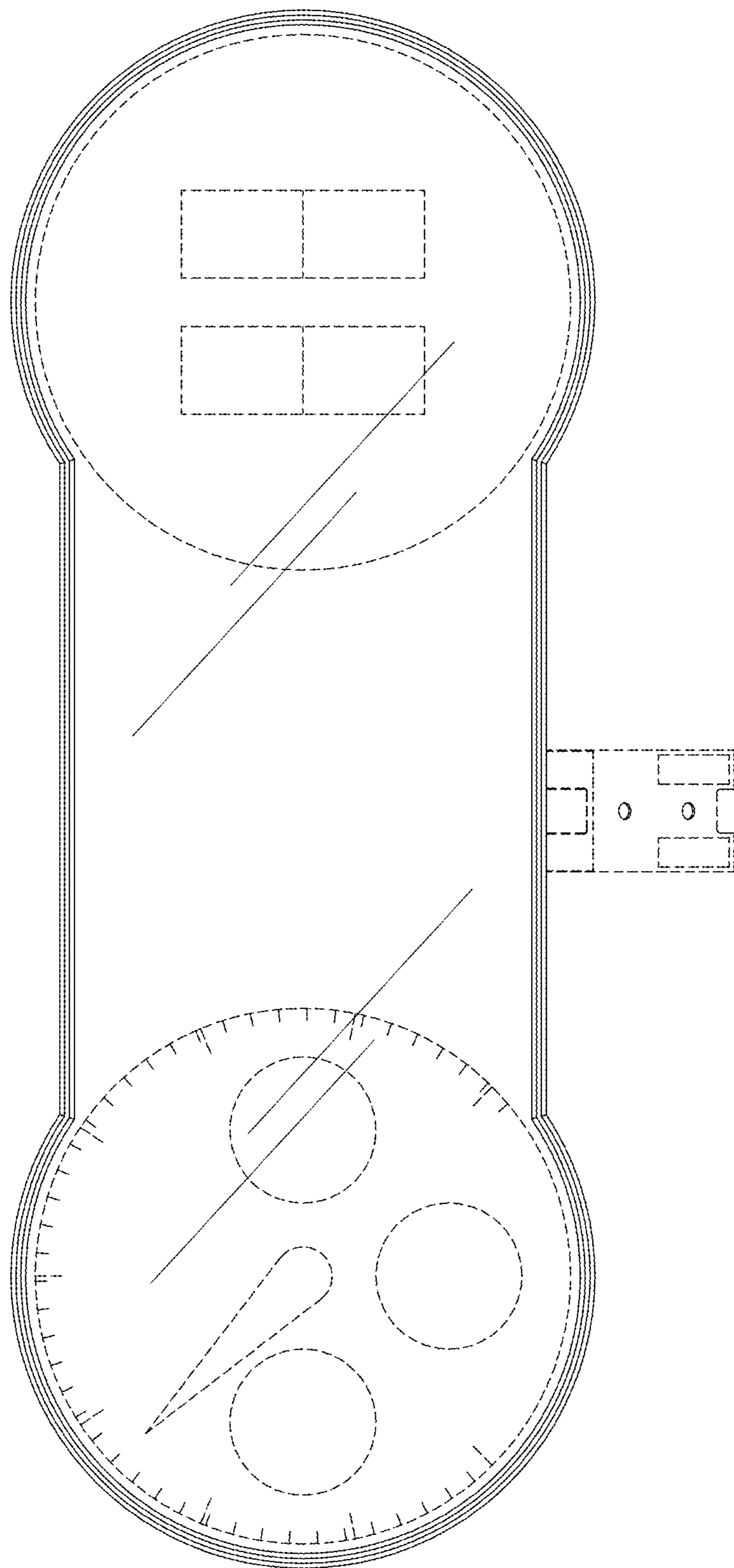


FIG. 3

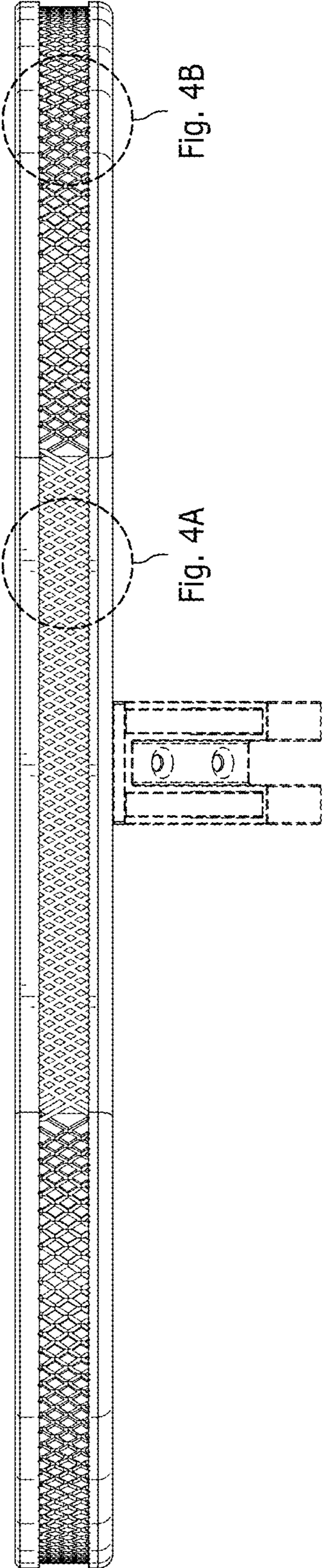


FIG. 4

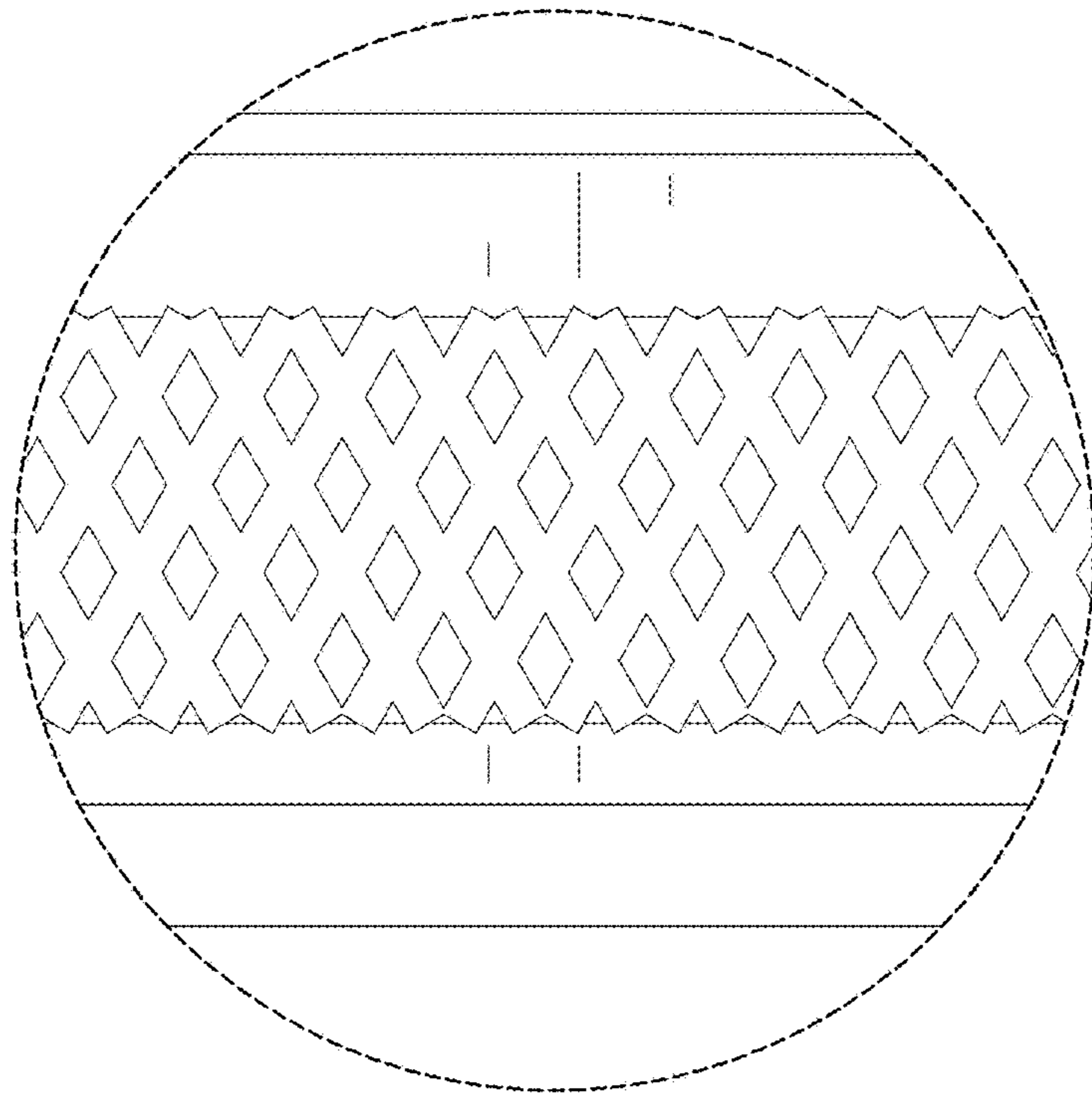


FIG. 4A

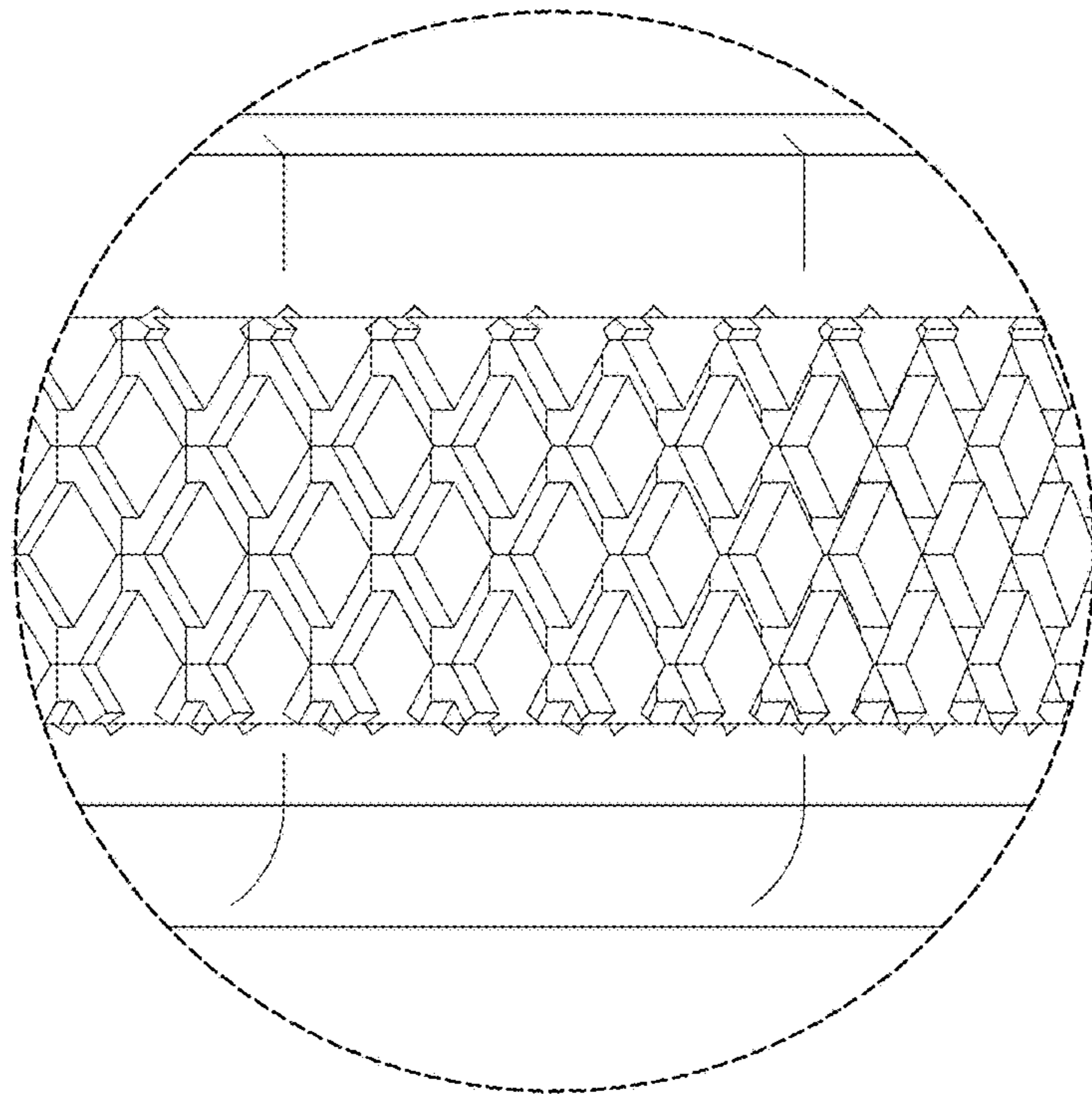


FIG. 4B

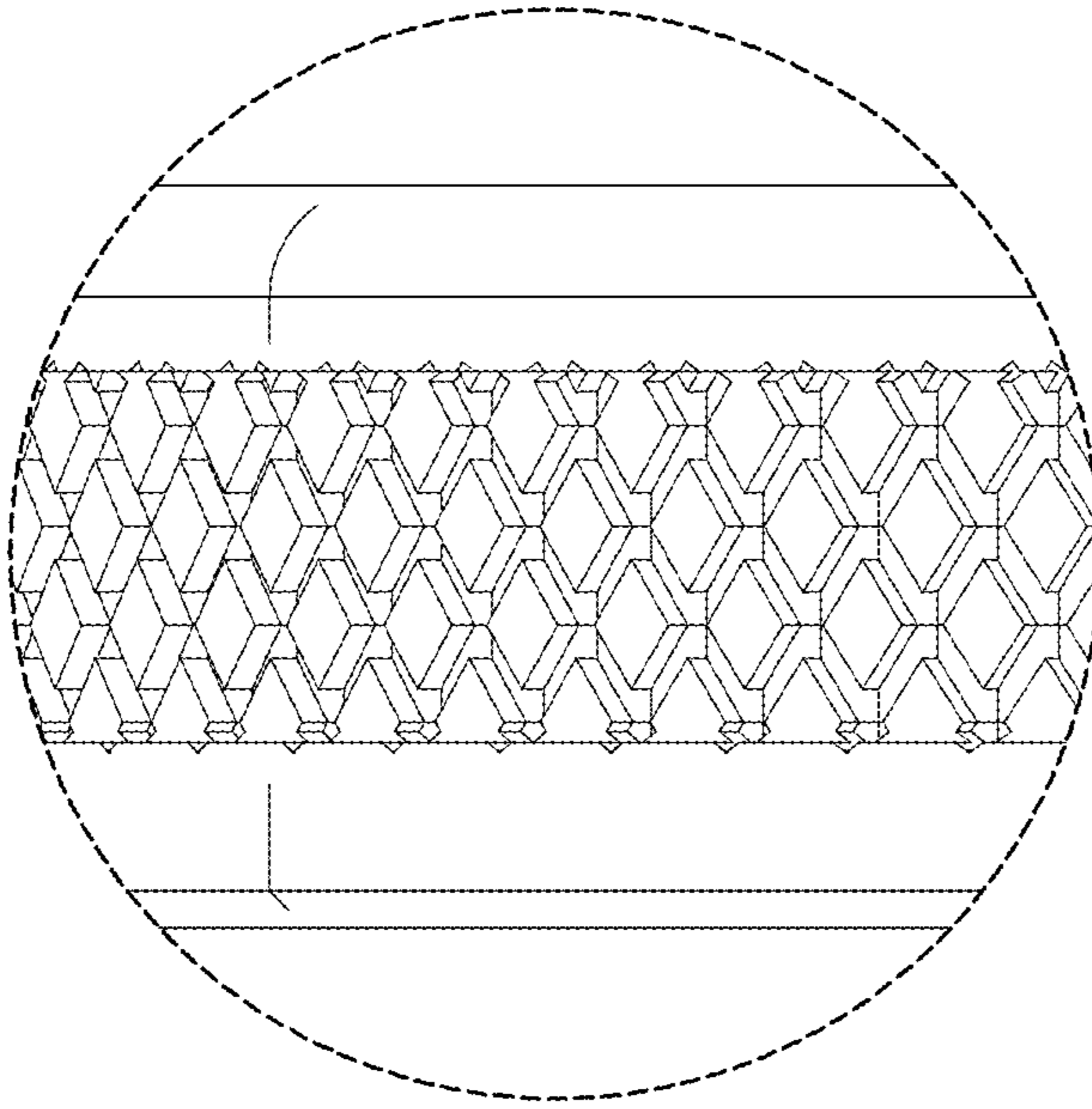
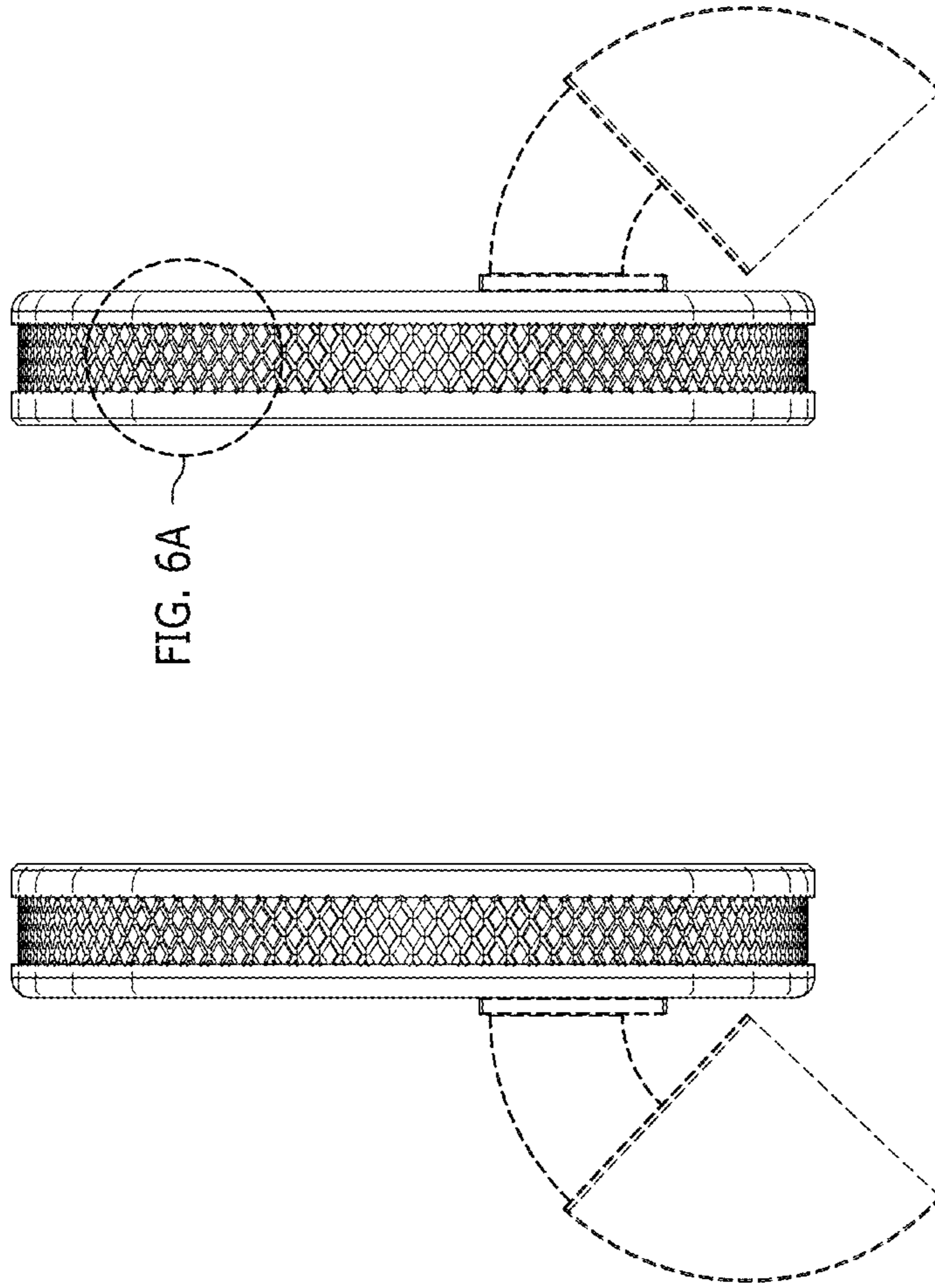


FIG. 5

FIG. 6

FIG. 6A

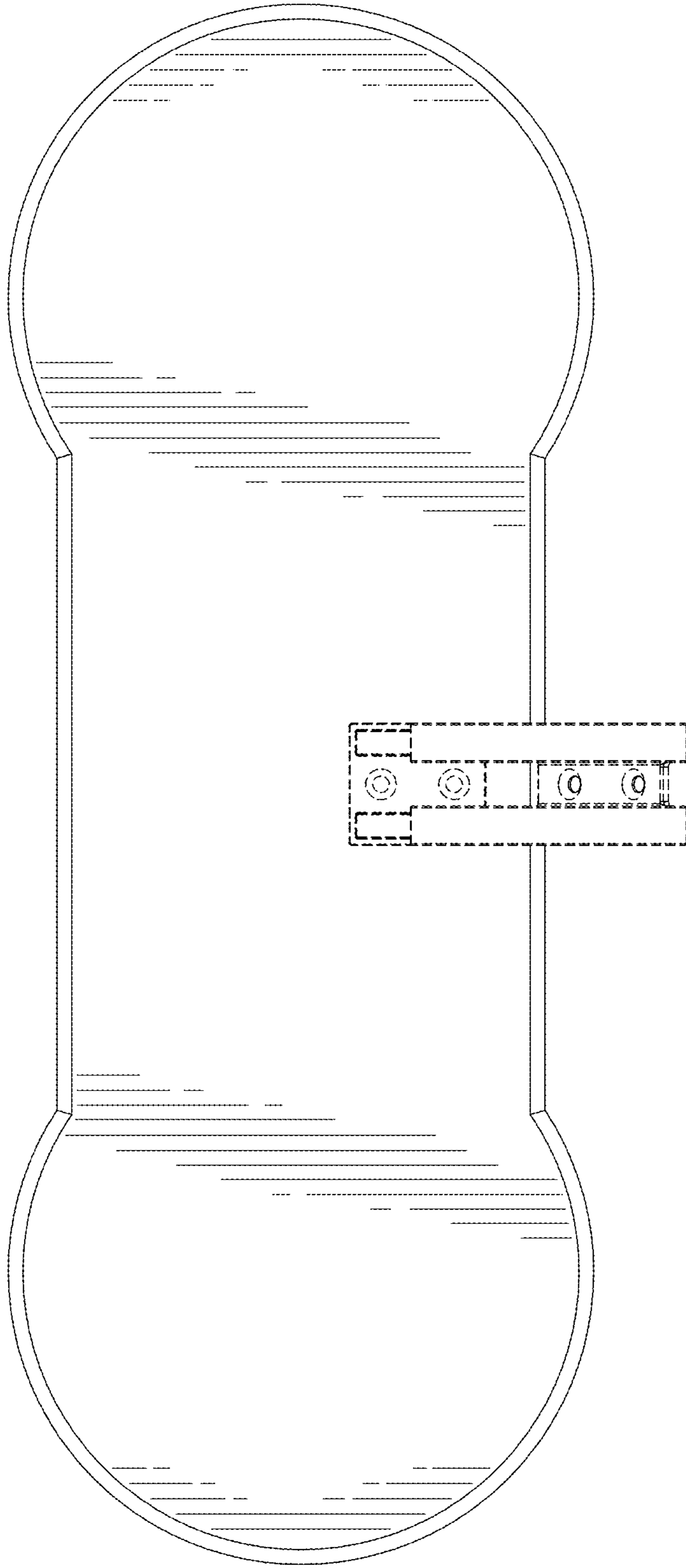


FIG. 7