



US00D799383S

(12) **United States Design Patent** (10) **Patent No.:** **US D799,383 S**
Kong et al. (45) **Date of Patent:** **** Oct. 10, 2017**

(54) **WHEEL BEARING UNIT**
(71) Applicant: **ZHEJIANG ZHAOFENG MECHANICAL AND ELECTRONIC CO., LTD.**, Hangzhou, Zhejiang (CN)
(72) Inventors: **Aixiang Kong**, Zhejiang (CN); **Naizheng Kang**, Zhejiang (CN)
(73) Assignee: **ZHEJIANG ZHAOFENG MECHANICAL AND ELECTRONIC CO., LTD.**, Hangzhou, Zhejiang (CN)

(**) Term: **15 Years**
(21) Appl. No.: **29/547,442**
(22) Filed: **Dec. 3, 2015**

(30) **Foreign Application Priority Data**
Aug. 7, 2015 (CN) 2015 3 0295307
(51) **LOC (10) Cl.** **12-16**
(52) **U.S. Cl.**
USPC **D12/159**
(58) **Field of Classification Search**
USPC D12/159-160
CPC B60B 27/0005; B60B 2380/12; B60B 27/0073; B60B 27/0068; B60B 27/06; B60B 27/065; B60B 2900/551; B60G 11/22; B60G 2204/125; B60G 2202/143; B60G 2202/142; B60G 2204/41; B60G 2202/14; B60G 2206/73
See application file for complete search history.

(56) **References Cited**
U.S. PATENT DOCUMENTS
7,475,758 B2 * 1/2009 Dimsey F16D 65/12 188/17
D719,493 S * 12/2014 Mochinaga D12/160
D735,021 S * 7/2015 Da Cunha D8/375

2008/0296964 A1 * 12/2008 Williams B60B 27/00 301/105.1
2010/0292041 A1 * 11/2010 Matthies B60G 21/007 475/230
2013/0195389 A1 * 8/2013 Seki B60B 7/0013 384/446
2015/0107933 A1 * 4/2015 Gopal F16H 48/24 180/383
2015/0308519 A1 * 10/2015 Heravi F16D 27/118 192/84.7

(Continued)

FOREIGN PATENT DOCUMENTS

CN 102141080 11/2012
CN 203211002 9/2013

(Continued)

OTHER PUBLICATIONS

www.amazon.com, Search results for “wheel hub and bearing assembly”, Aug. 5, 2015, 1 page.

Primary Examiner — Michael A Pratt
(74) *Attorney, Agent, or Firm* — Muncy, Geissler, Olds & Lowe, P.C.

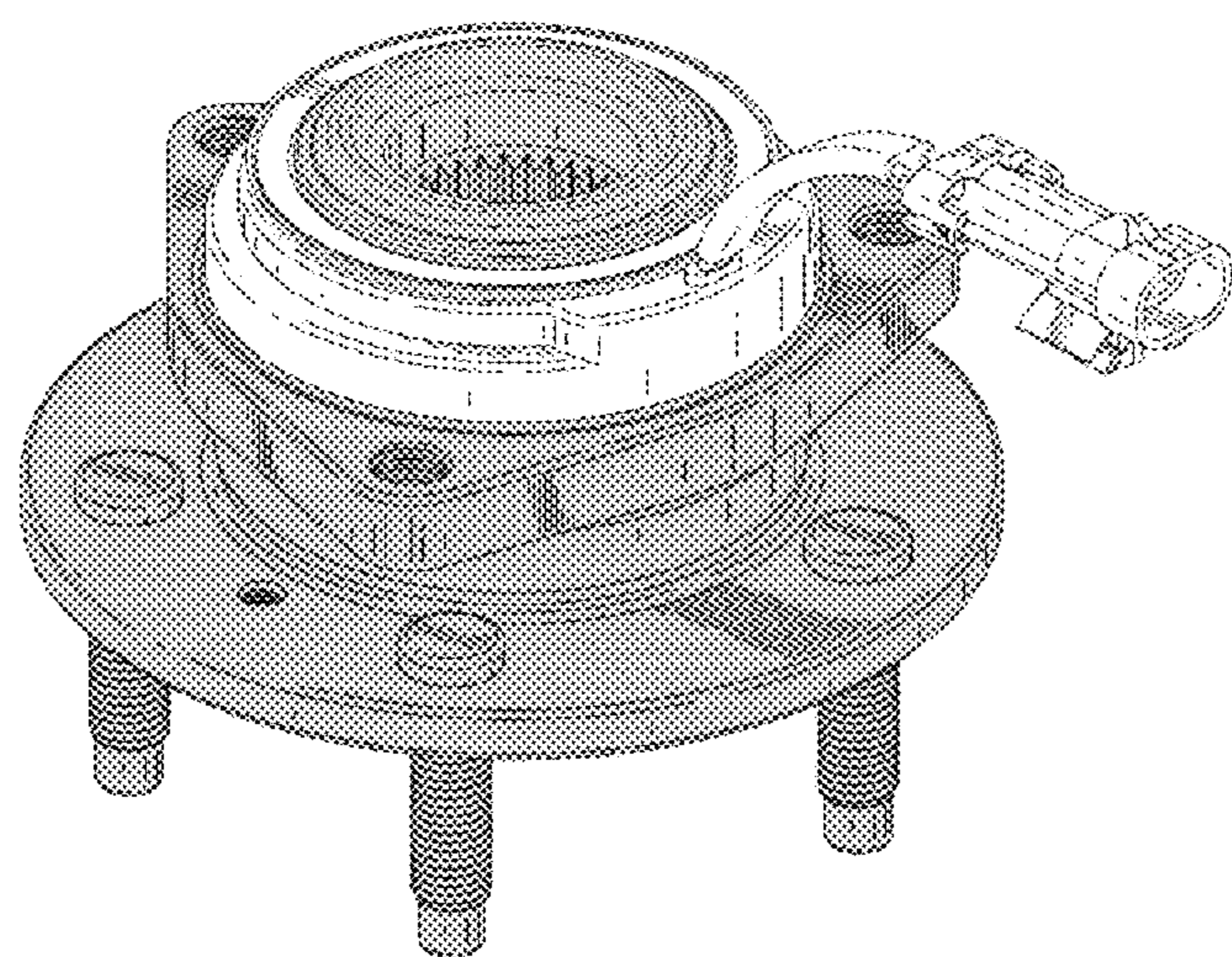
(57) **CLAIM**

The ornamental design for a wheel bearing unit, as shown and described.

DESCRIPTION

FIG. 1 is a front, right perspective view of a wheel bearing unit showing my new design;
FIG. 2 is a right side view thereof;
FIG. 3 is a top plan view thereof;
FIG. 4 is a left side view thereof;
FIG. 5 is a bottom plan view thereof;
FIG. 6 is a front elevational view thereof; and,
FIG. 7 is a rear elevational view thereof.
Light grey surface shading represents a black oxide finish.

1 Claim, 7 Drawing Sheets



(56)

References Cited

U.S. PATENT DOCUMENTS

2016/0040770 A1* 2/2016 Pitcavage F16H 57/04
74/457

FOREIGN PATENT DOCUMENTS

CN 102815165 12/2014
CN 204357935 5/2015

* cited by examiner

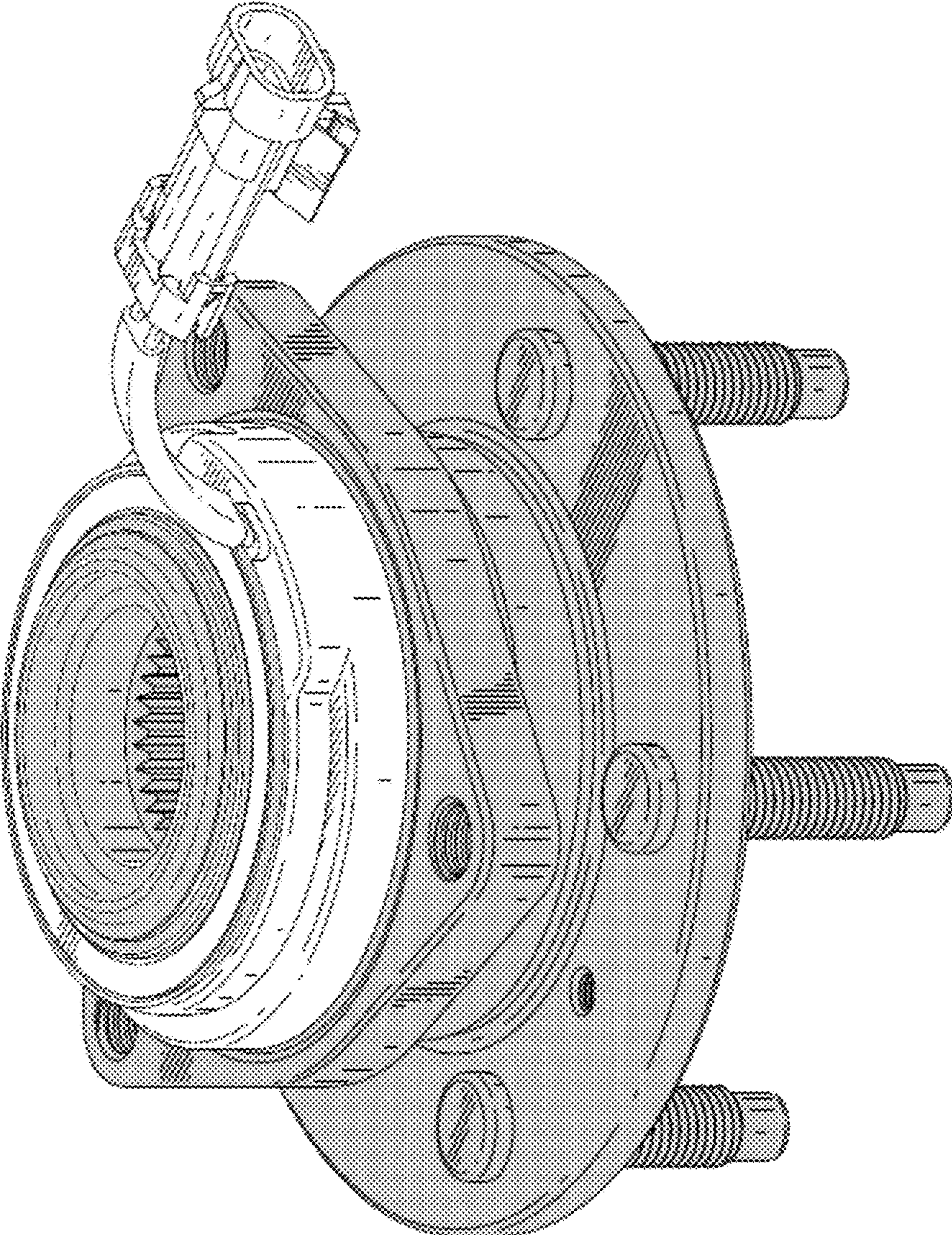


FIG.1

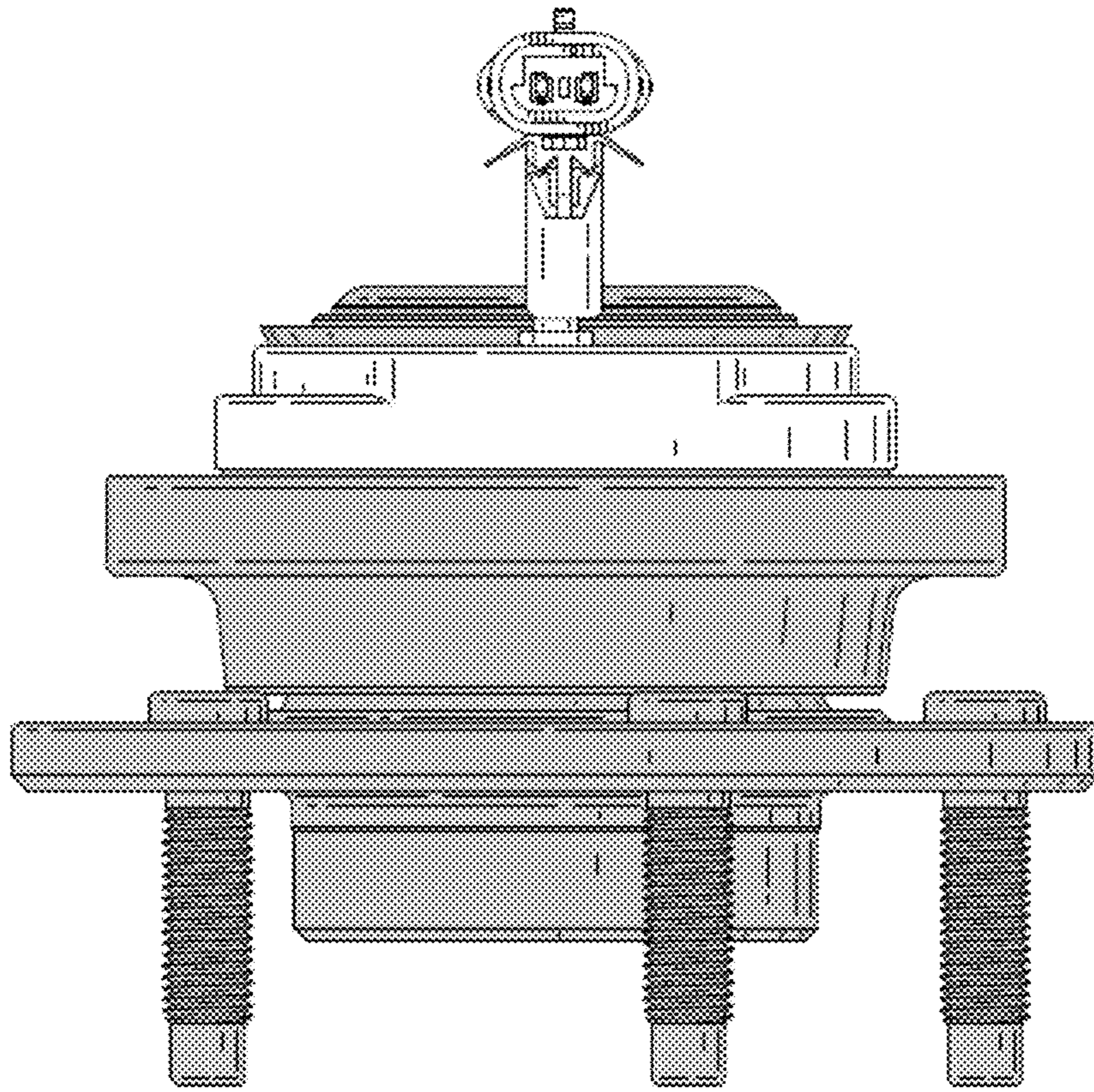


FIG.2

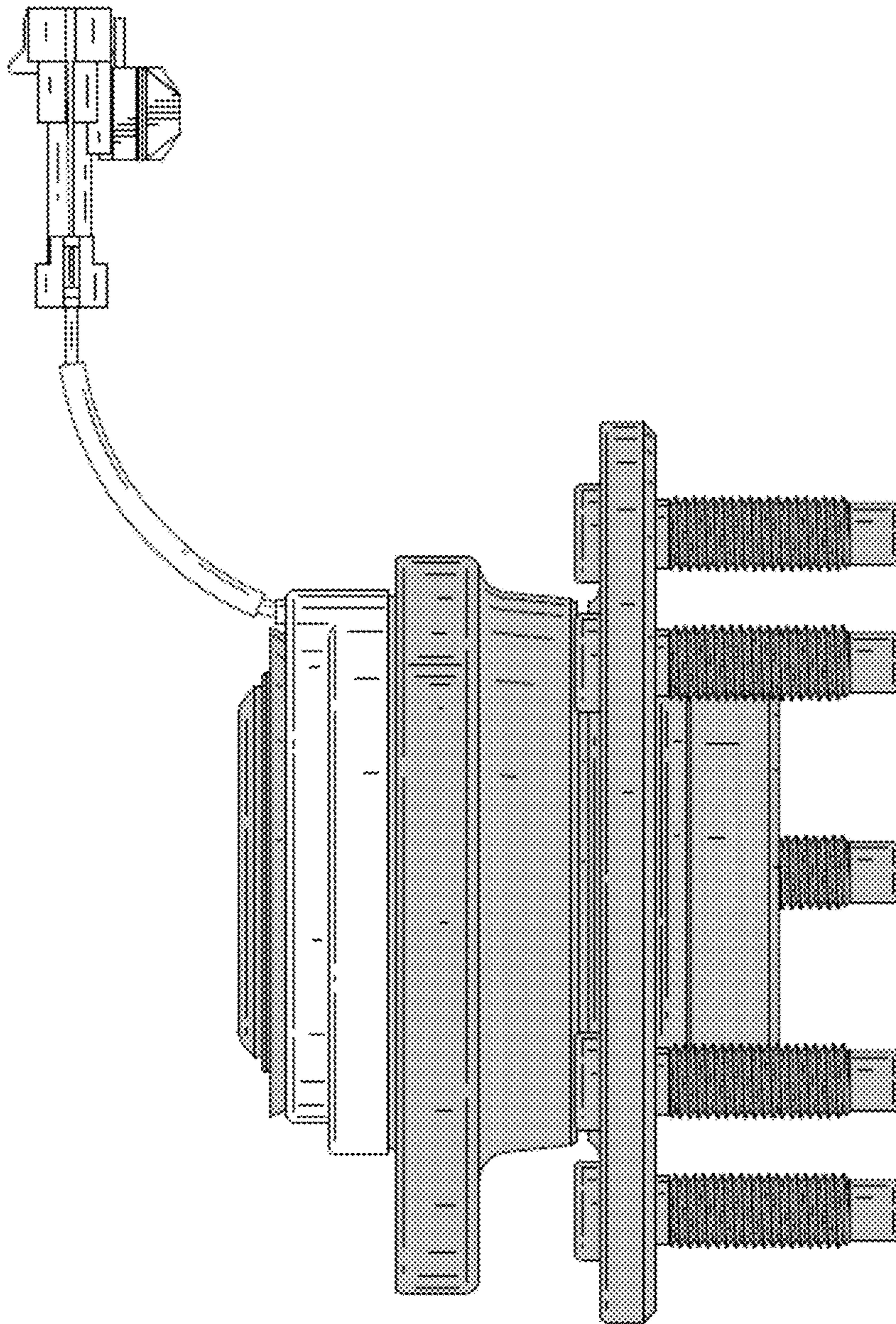


FIG.3

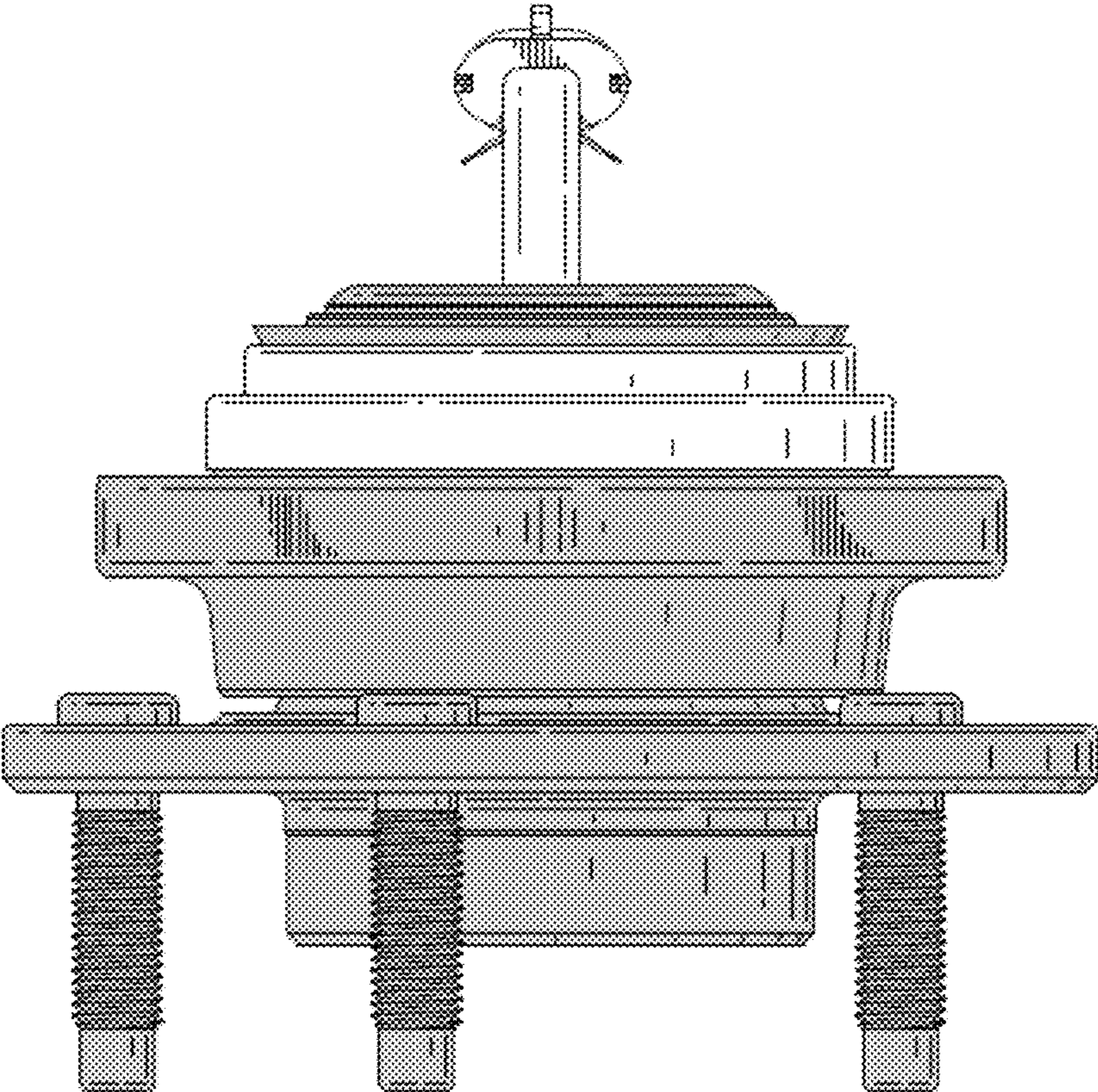


FIG.4

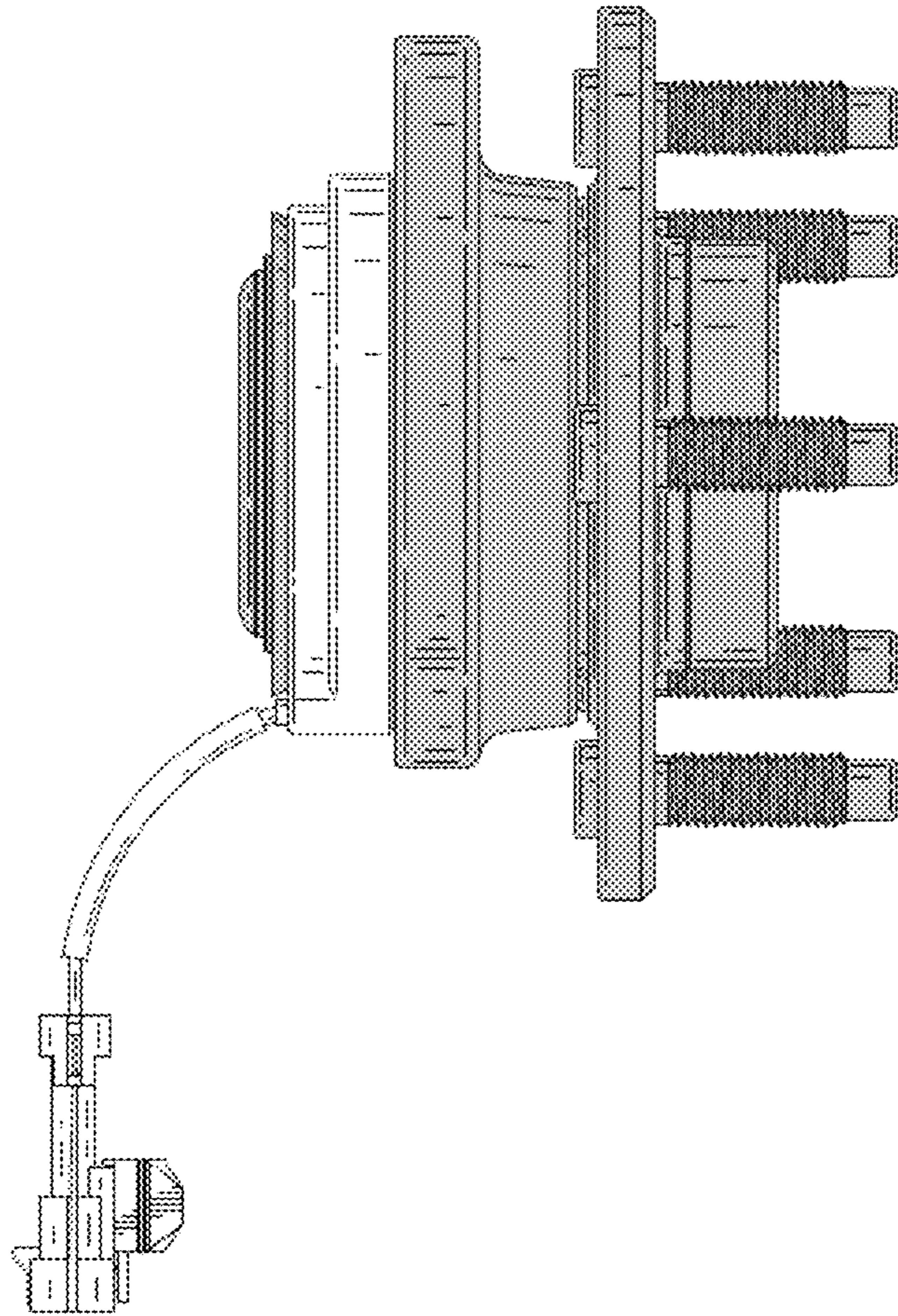


FIG.5

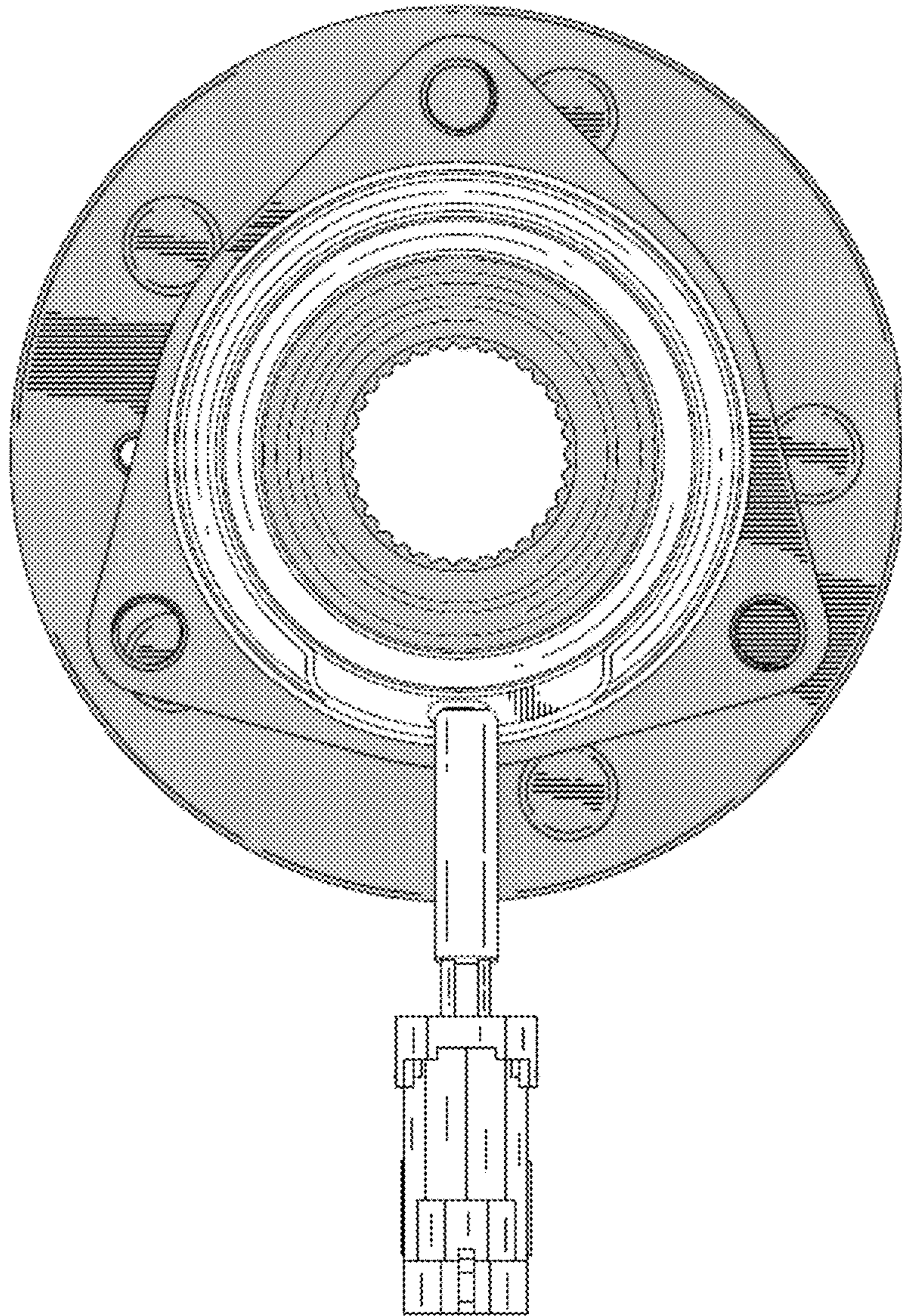


FIG.6

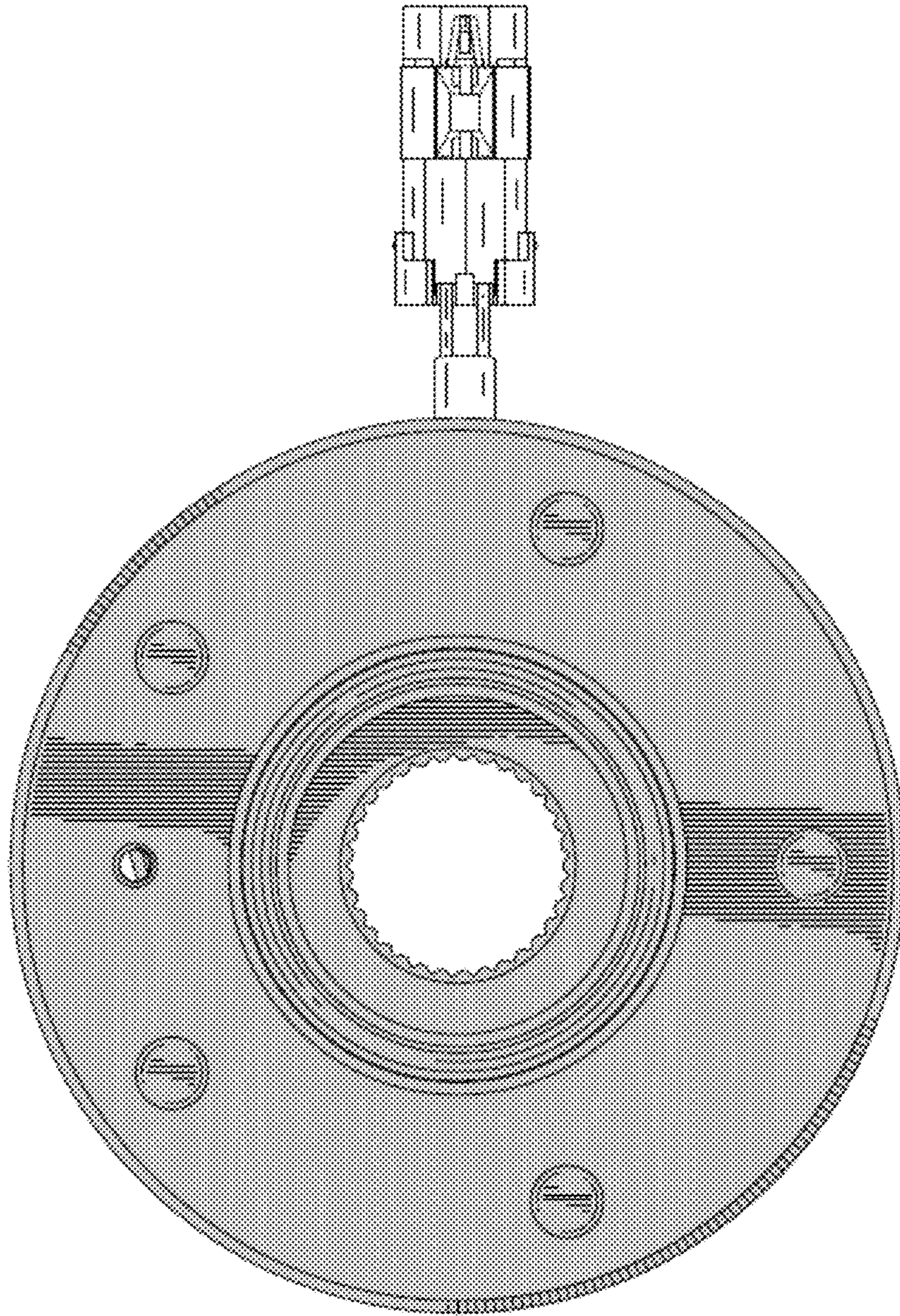


FIG.7