



US00D799382S

(12) **United States Design Patent**
Janyapanich et al.

(10) **Patent No.:** **US D799,382 S**

(45) **Date of Patent:** **** Oct. 10, 2017**

(54) **FRONT SIDE COVER FOR A MOTORCYCLE**

(71) Applicant: **HONDA MOTOR CO., LTD.**, Tokyo (JP)

(72) Inventors: **Nattapat Janyapanich**, Bangkok (TH); **Seksith Uchchin**, Bangkok (TH)

(73) Assignee: **HONDA MOTOR CO., LTD.**, Tokyo (JP)

(**) Term: **15 Years**

(21) Appl. No.: **29/561,240**

(22) Filed: **Apr. 14, 2016**

(30) **Foreign Application Priority Data**

Oct. 16, 2015 (JP) 2015-022841

(51) **LOC (10) Cl.** **12-11**

(52) **U.S. Cl.**
USPC **D12/114**

(58) **Field of Classification Search**
USPC D12/114, 117, 110, 126, 186, 184, 182
CPC ... B62J 17/00; B62J 17/02; B62J 17/04; B62J 23/00; B62K 11/00; B62K 11/02; B62K 11/04

See application file for complete search history.

(56) **References Cited**

U.S. PATENT DOCUMENTS

D538,718 S	*	3/2007	Tako	D12/182
D579,834 S	*	11/2008	Sawabe	D12/126
D660,202 S	*	5/2012	Petersson	D12/126
D674,323 S	*	1/2013	Tokumura	D12/126

D683,274 S	*	5/2013	Yanagita	D12/126
D683,275 S	*	5/2013	Yanagita	D12/126
D689,800 S	*	9/2013	Futamata	D12/126
D690,625 S	*	10/2013	Futamata	D12/126
D690,626 S	*	10/2013	Katagiri	D12/126
D694,157 S	*	11/2013	Katagiri	D12/126
D695,157 S	*	12/2013	Tsukui	D12/126
D711,291 S	*	8/2014	Futamata	D12/114
D712,314 S	*	9/2014	Katagiri	D12/114
D776,017 S	*	1/2017	Takigawa	D12/114
D782,369 S	*	3/2017	Fujimoto	D12/114

* cited by examiner

Primary Examiner — George D. Kirschbaum

Assistant Examiner — Clese Moore, Jr.

(74) *Attorney, Agent, or Firm* — Birch, Stewart, Kolasch & Birch, LLP

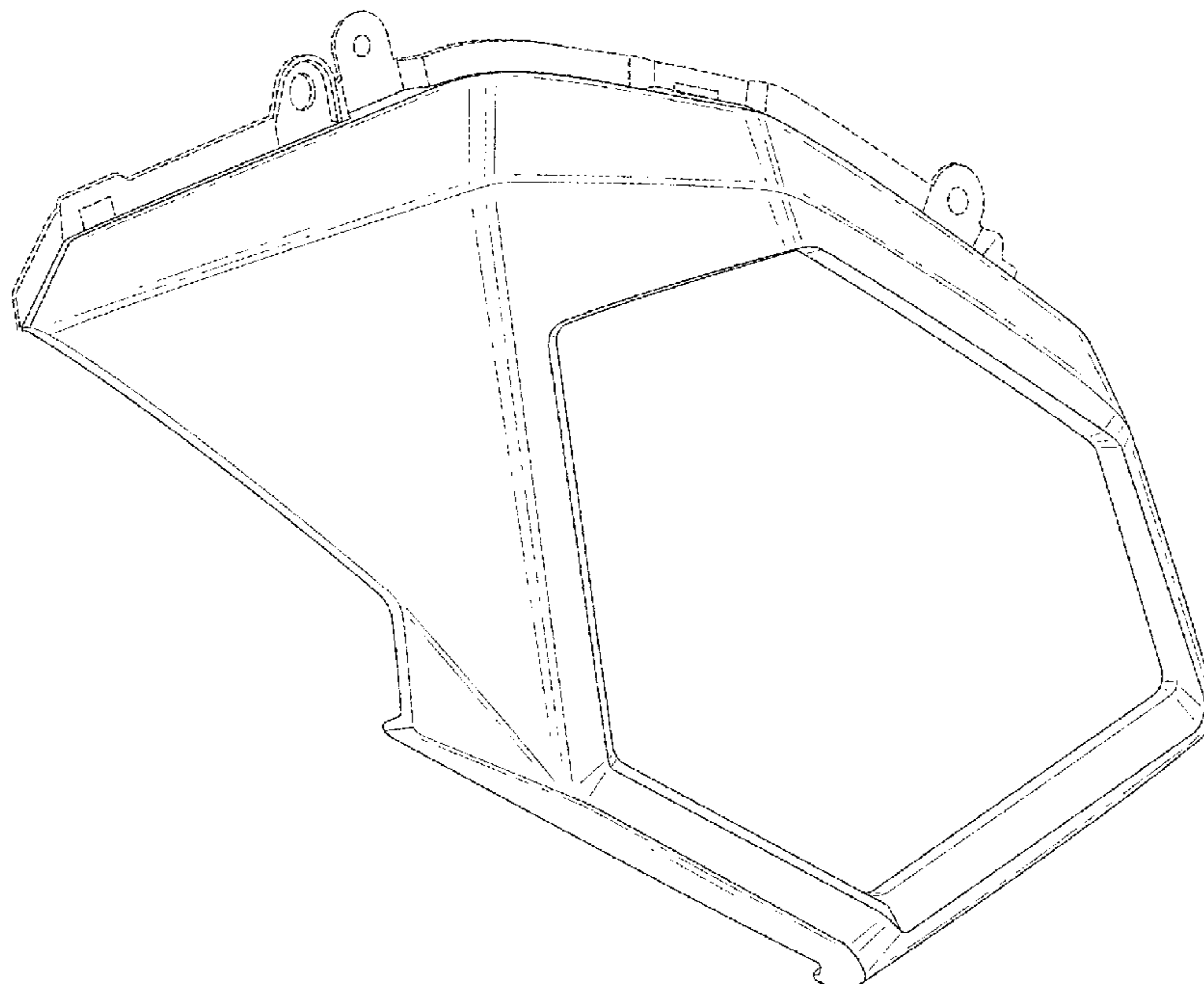
(57) **CLAIM**

The ornamental design for a front side cover for a motorcycle, as shown and described.

DESCRIPTION

FIG. 1 is a front right side perspective view of a front side cover for a motorcycle showing our new design; FIG. 2 is a front elevational view thereof; FIG. 3 is a top plan view thereof; FIG. 4 is a bottom view thereof; FIG. 5 is a left side elevational view thereof; FIG. 6 is a right side elevational view thereof; FIG. 7 is a front left side perspective view thereof; and, FIG. 8 is front elevational view thereof, shown in use. The portions shown in broken lines show environment and form no part of the claimed design.

1 Claim, 8 Drawing Sheets



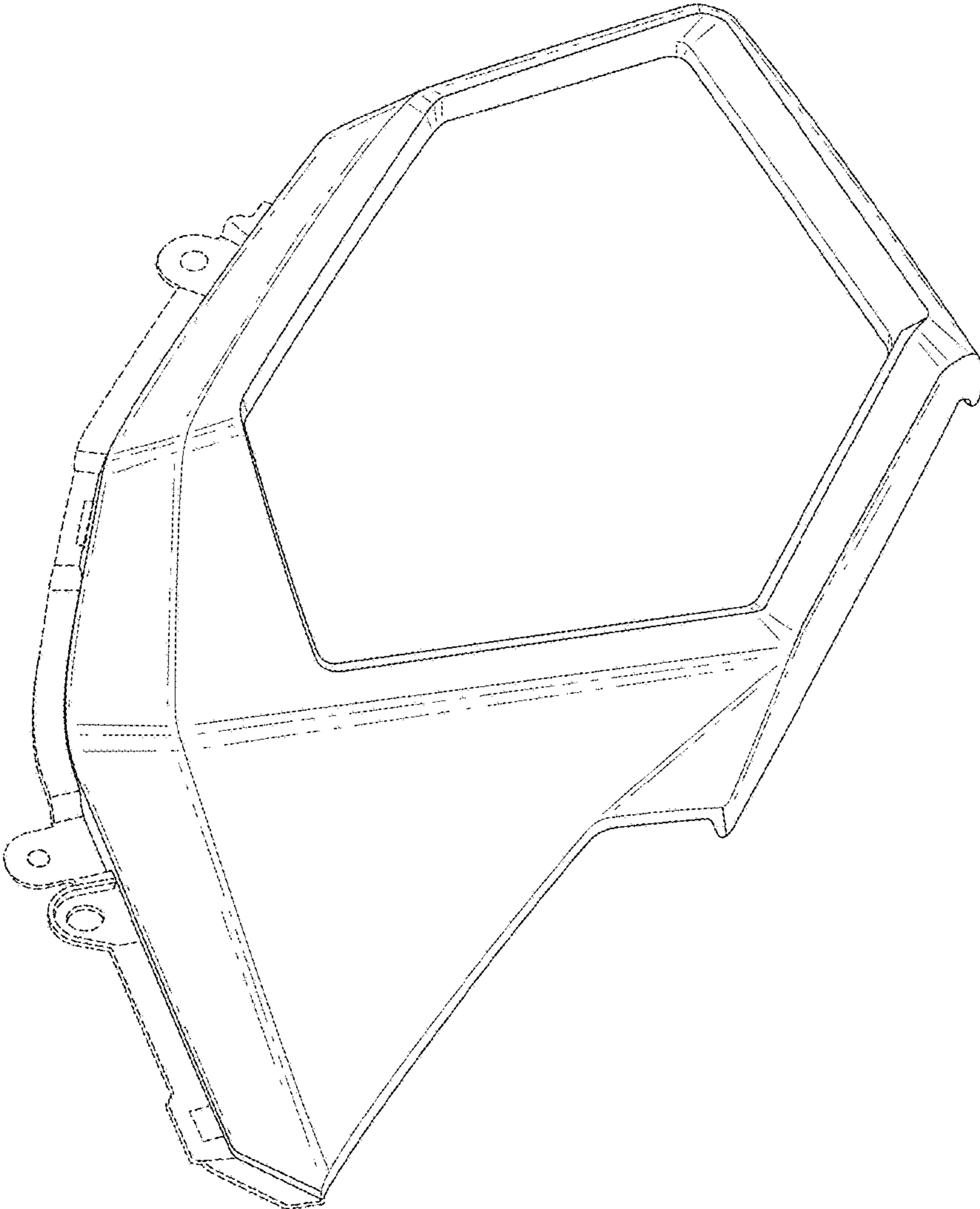


FIG.1

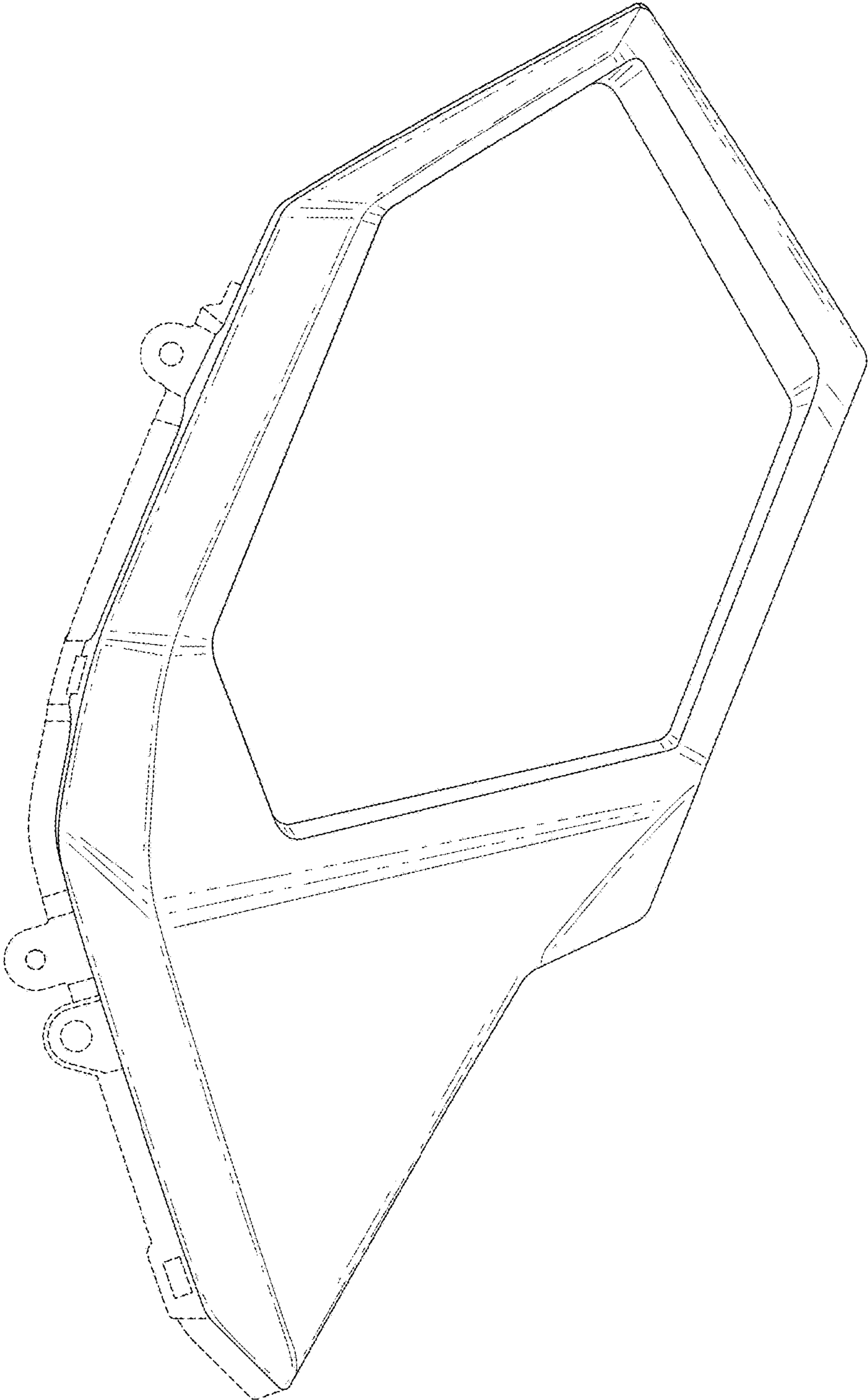


FIG.2

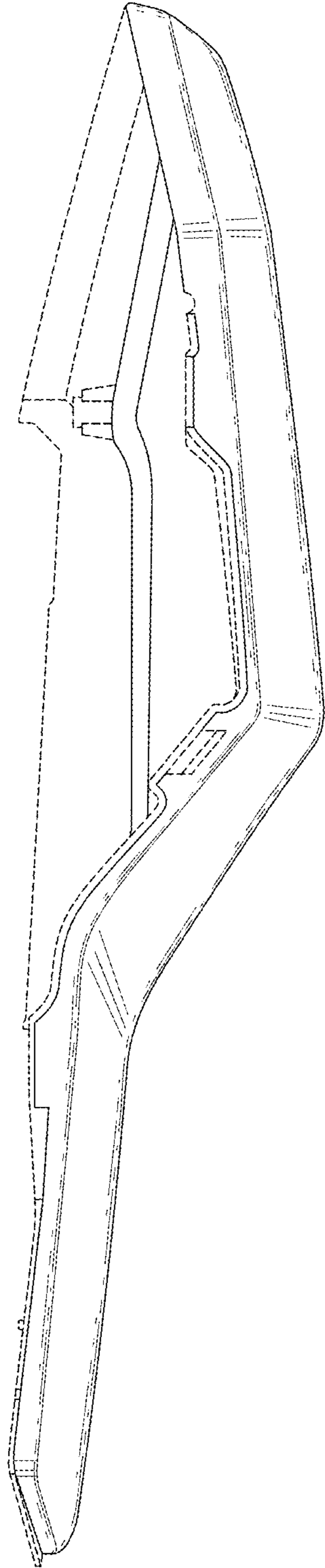


FIG.3

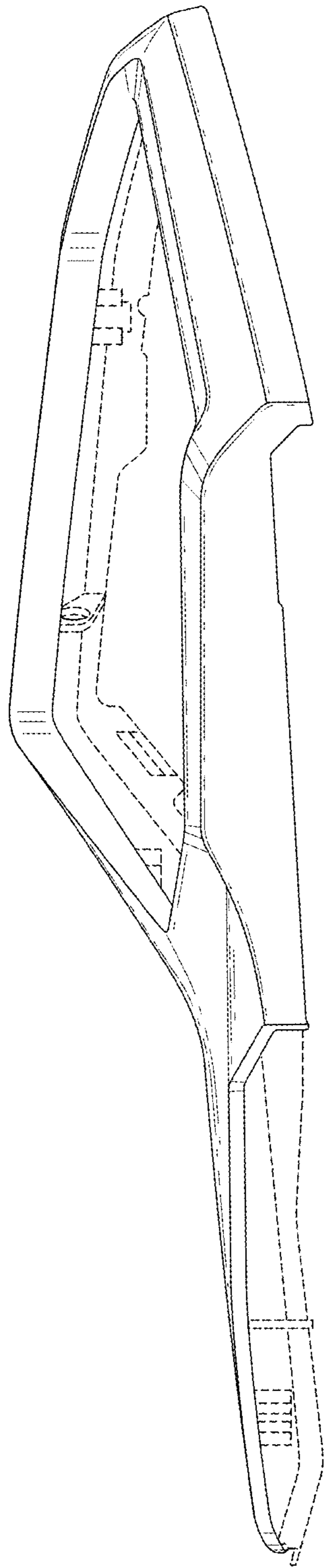


FIG.4

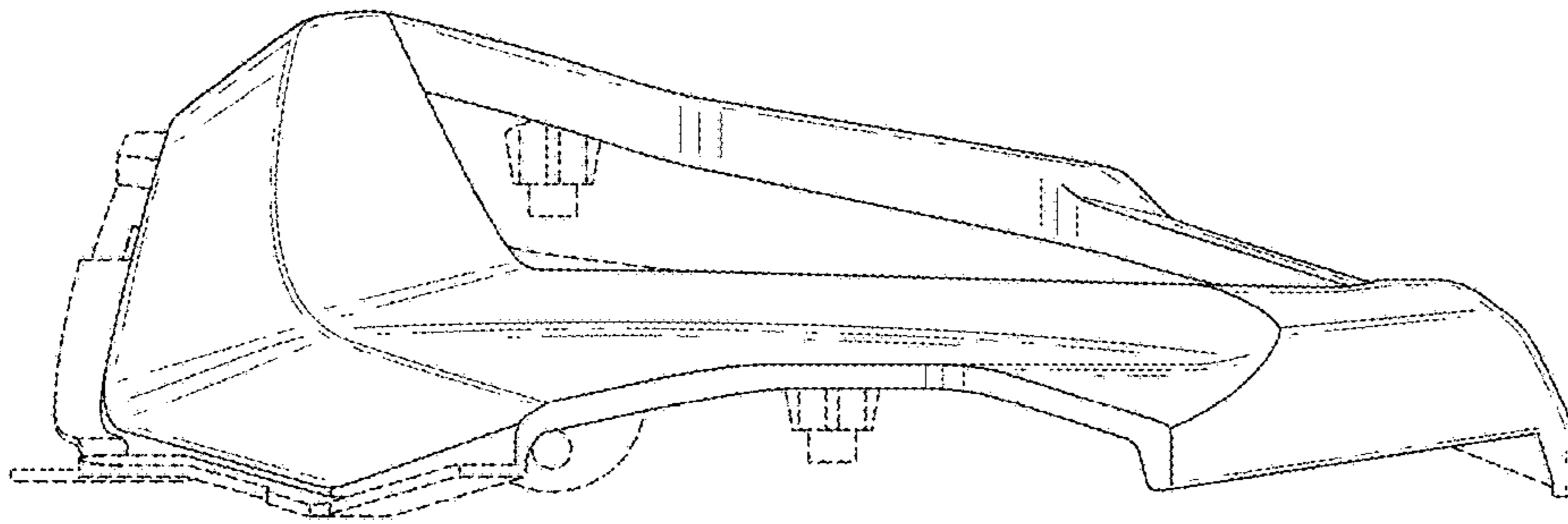


FIG.5

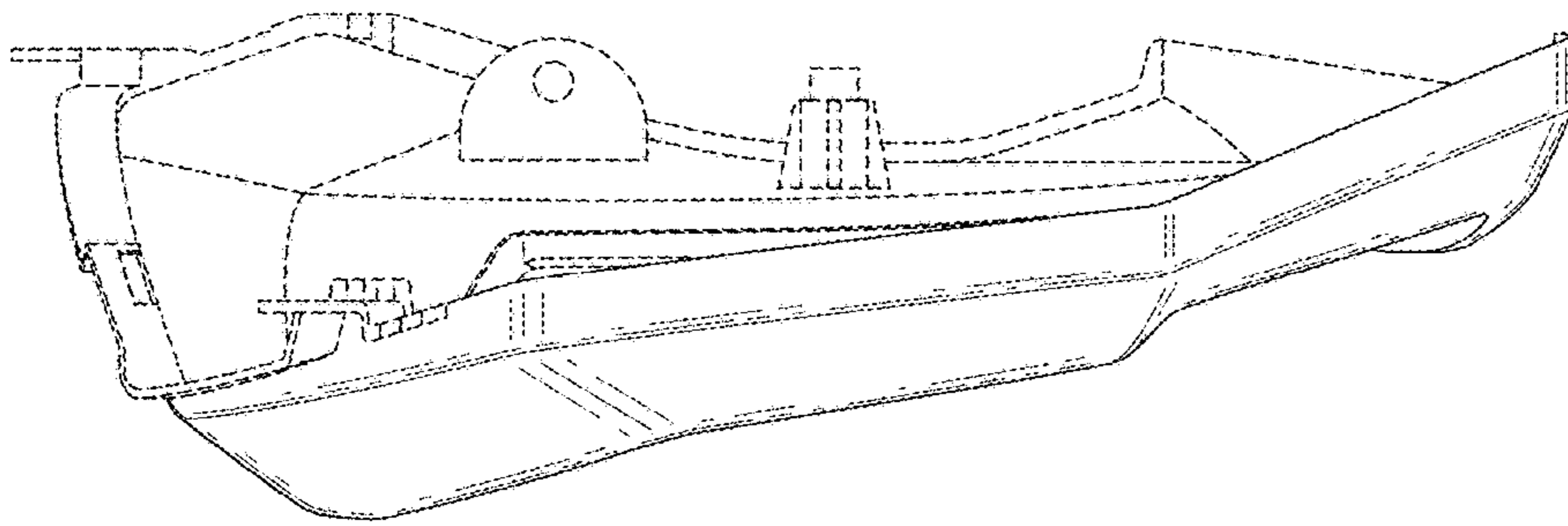


FIG.6

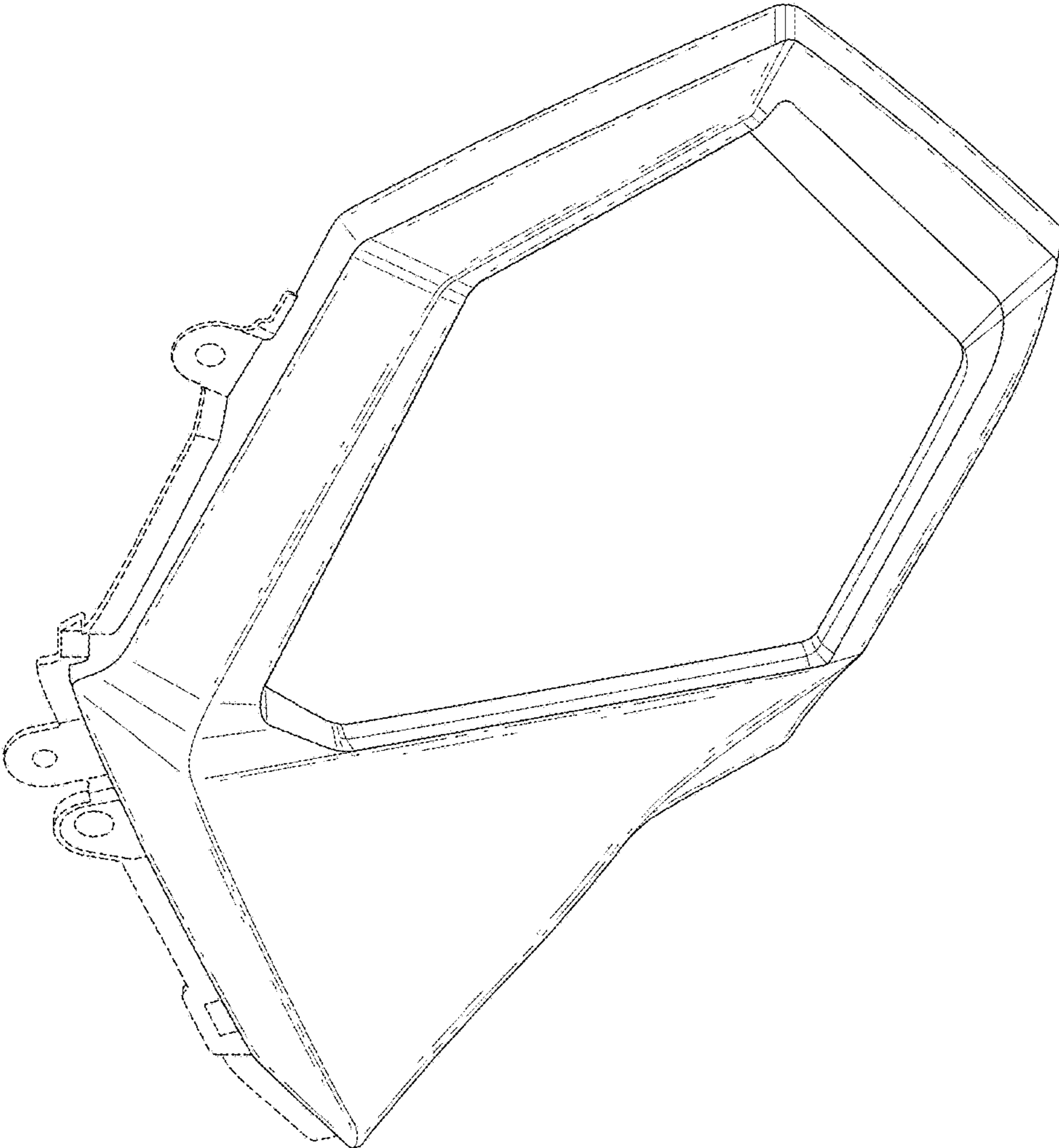


FIG.7

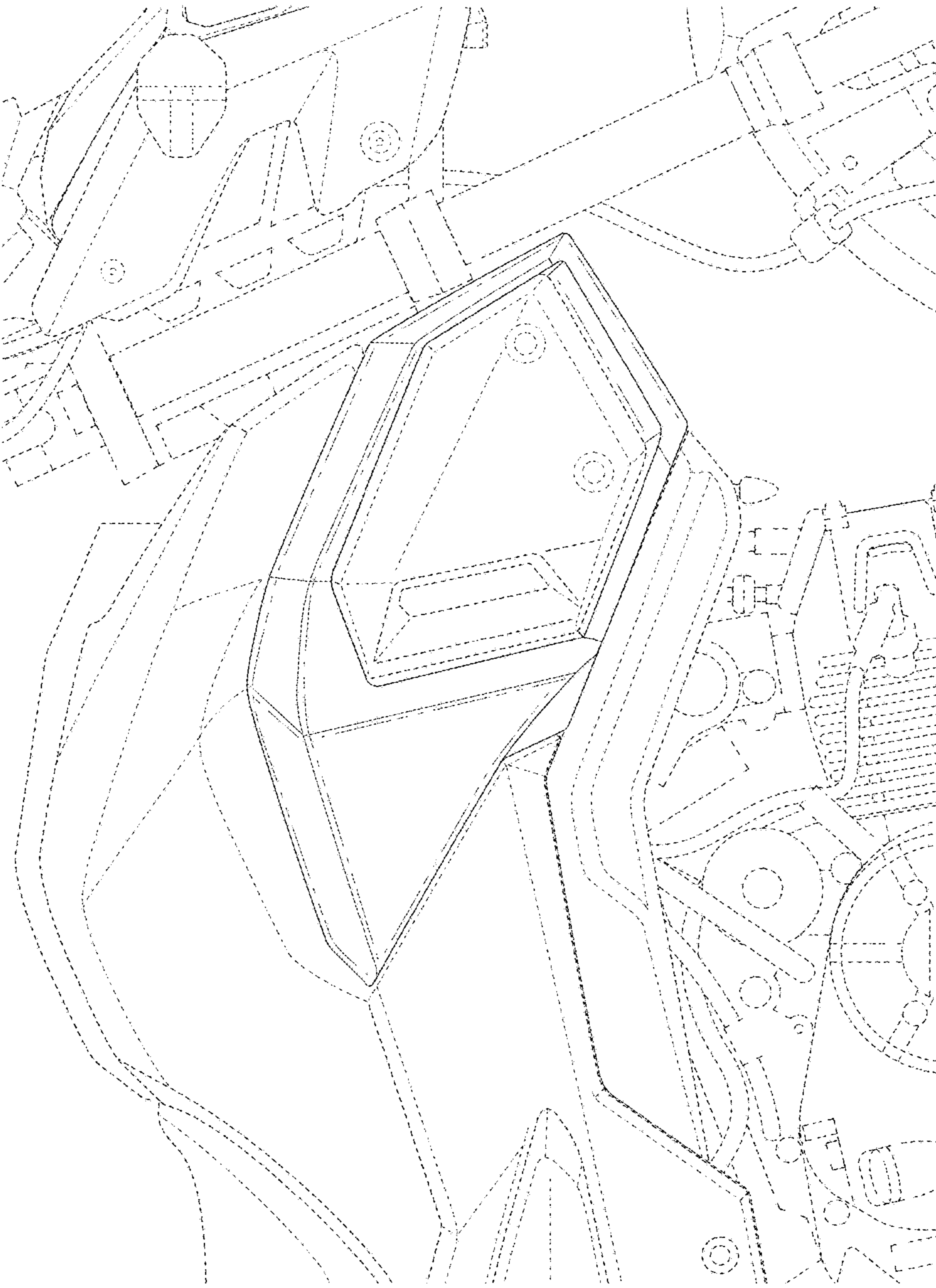


FIG.8