



US00D799379S

(12) **United States Design Patent** (10) **Patent No.:** **US D799,379 S**  
**Komuro et al.** (45) **Date of Patent:** **\*\* Oct. 10, 2017**

(54) **AUTOMOBILE AND/OR TOY REPLICA THEREOF**

(71) Applicant: **Nissan Motor Co., Ltd.**, Yokohama, Kanagawa (JP)

(72) Inventors: **Hideo Komuro**, Tokyo (JP); **Seonwook Whang**, Kanagawa (JP)

(73) Assignee: **Nissan Motor Co., Ltd.**, Yokohama (JP)

(\*\*) Term: **15 Years**

(21) Appl. No.: **29/563,972**

(22) Filed: **May 10, 2016**

(30) **Foreign Application Priority Data**

Nov. 11, 2015 (JP) ..... 2015-025168

(51) **LOC (10) Cl.** ..... **12-08**

(52) **U.S. Cl.**  
USPC ..... **D12/92**

(58) **Field of Classification Search**  
USPC ..... D12/86, 90-92, 88; D21/421, 433, 434; 296/181.1, 181.5  
CPC ..... B62D 35/00; B62D 25/00; B62D 25/06; B62D 33/00  
See application file for complete search history.

(56) **References Cited**

**U.S. PATENT DOCUMENTS**

D603,298 S	11/2009	Irie et al.	
D628,939 S *	12/2010	Komuro	D12/92
D646,205 S *	10/2011	Bittner	D12/92
D668,182 S *	10/2012	Barba Franco	D12/92
D680,030 S	4/2013	Rodriguez	
D683,269 S *	5/2013	Fuchigami	D12/92
D684,900 S *	6/2013	Doyle	D12/92

D686,536 S *	7/2013	McCabe	D12/92
D699,630 S *	2/2014	Abe	D12/92
D710,761 S	8/2014	Endo et al.	
D718,662 S	12/2014	Ishizuka et al.	
D719,878 S *	12/2014	Webber	D12/92
D781,184 S *	3/2017	Thole	D12/92

**FOREIGN PATENT DOCUMENTS**

JP	D1160727 S	12/2002
JP	D1337297 S	8/2008
JP	D1379109 S	2/2010
JP	D1408263 S	2/2012
JP	D1432890 S	2/2012
JP	D1461818 S	2/2013

(Continued)

*Primary Examiner* — Melody N Brown

(74) *Attorney, Agent, or Firm* — Global IP Counselors, LLP

(57) **CLAIM**

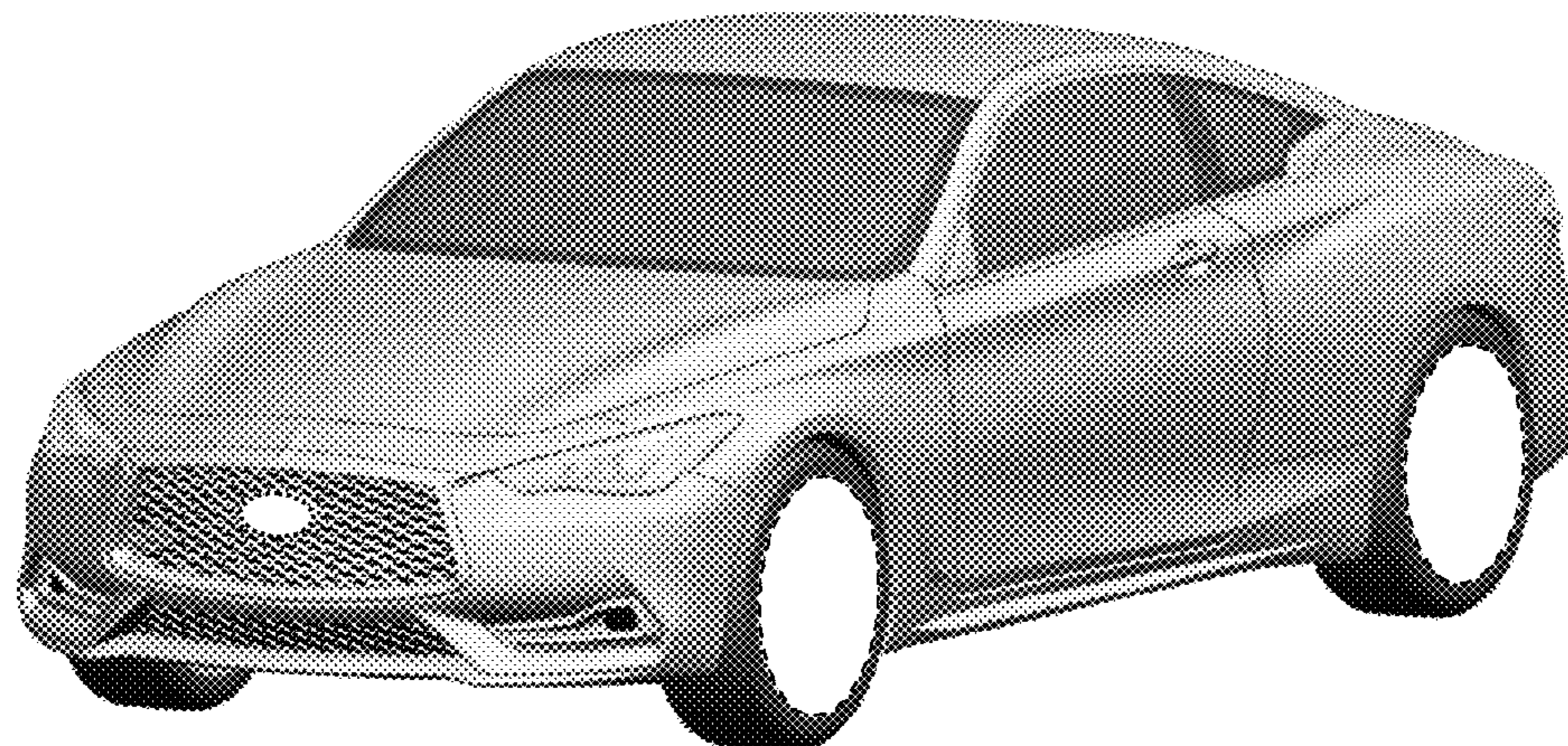
The ornamental design for an automobile and/or toy replica thereof, as shown and described.

**DESCRIPTION**

FIG. 1 is a front elevational view of an automobile and/or replica thereof showing our new design;  
FIG. 2 is a top plan view thereof;  
FIG. 3 is a right side elevational view thereof;  
FIG. 4 is a left side elevational view thereof;  
FIG. 5 is a front and left side perspective view thereof;  
FIG. 6 is a rear and right side perspective view thereof; and,  
FIG. 7 is a rear elevational view thereof.

The hidden surfaces from the bottom, obscured by a rear bumper, the wheels, and inside the wheel wells, but visible in the figures form no part of the claimed design. The broken line showings on the automobile and/or toy replica thereof is for the purpose of illustrating environmental structure and form no part of the claimed design.

**1 Claim, 7 Drawing Sheets**



(56)

**References Cited**

FOREIGN PATENT DOCUMENTS

JP	D1466004 S	4/2013
JP	D1471163 S	6/2013
JP	D1447207 S	7/2013
JP	D1457273 S	12/2013
JP	D1458400 S	12/2013
JP	D1486188 S	12/2013
JP	D1464782 S	3/2014
JP	D1498793 S	6/2014
JP	D1498938 S	6/2014
JP	D1499037 S	6/2014
JP	D1503276 S	7/2014
JP	D1449168 S	8/2014
JP	D1505486 S	8/2014
JP	D1483682 S	11/2014
JP	D1483683 S	11/2014
JP	D1512782 S	12/2014
JP	D1517011 S	2/2015
JP	D1517871 S	2/2015
JP	D1537415 S	11/2015
JP	D1538369 S	11/2015
JP	D1541150 S	1/2016
JP	D1543793 S	2/2016
JP	D1545767 S	4/2016
JP	D1549302 S	5/2016
JP	D1549985 S	5/2016
JP	D1550058 S	5/2016
JP	D1550630 S	5/2016
JP	D1550901 S	6/2016
JP	D1551853 S	6/2016
JP	D1552418 S	6/2016
JP	D1554714 S	7/2016
JP	D1544432 S	8/2016

\* cited by examiner

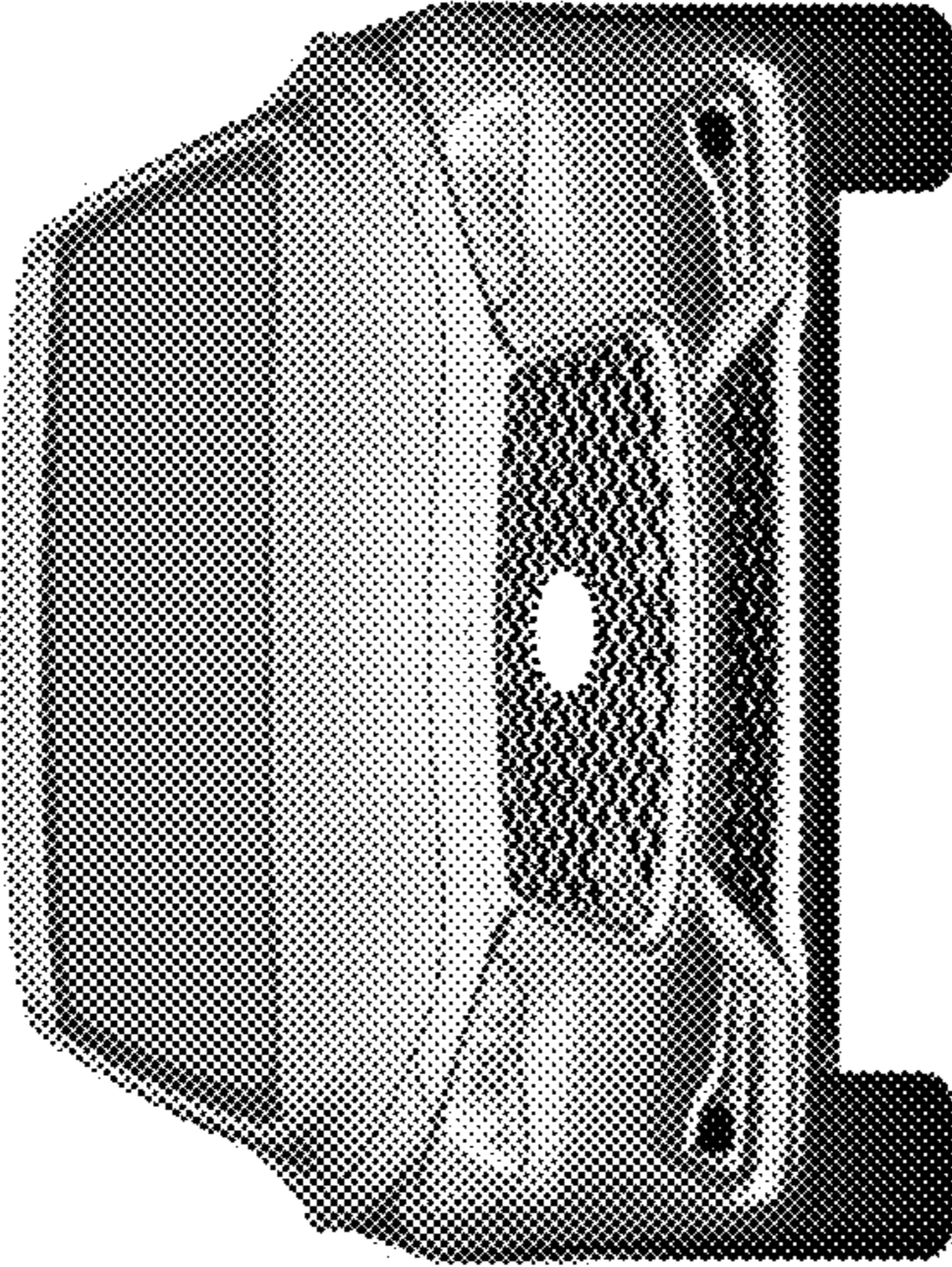


FIG. 1

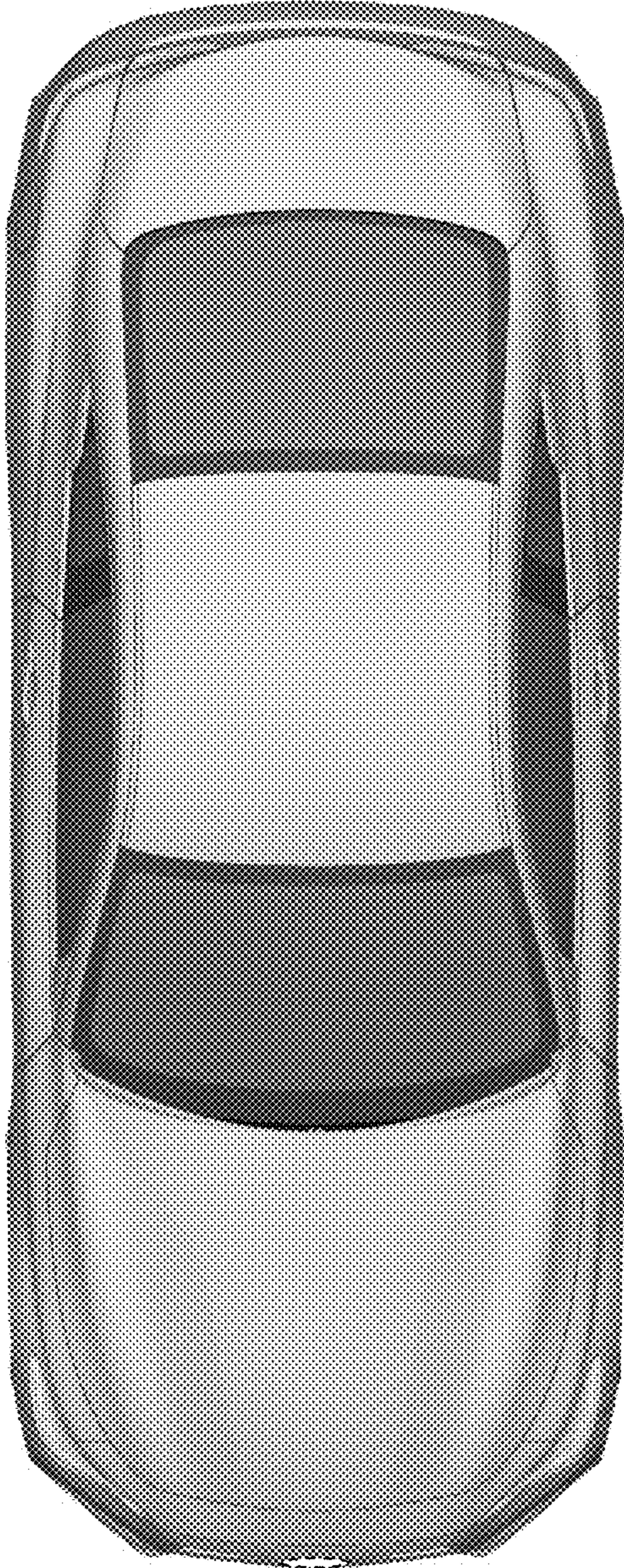


FIG. 2

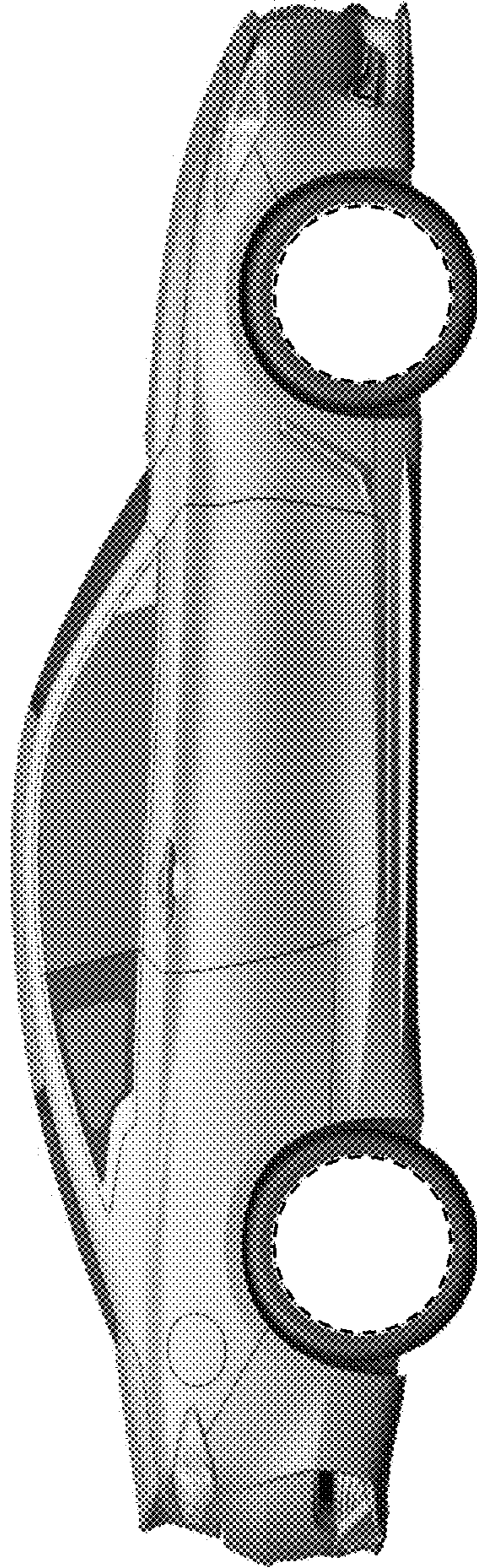


FIG. 3

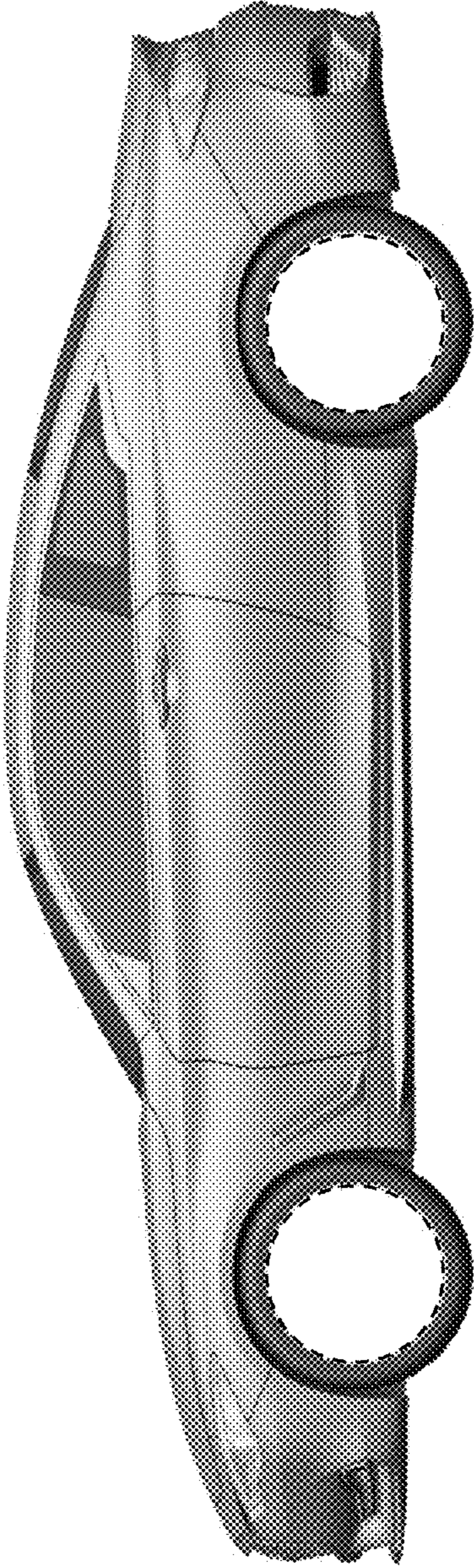


FIG. 4

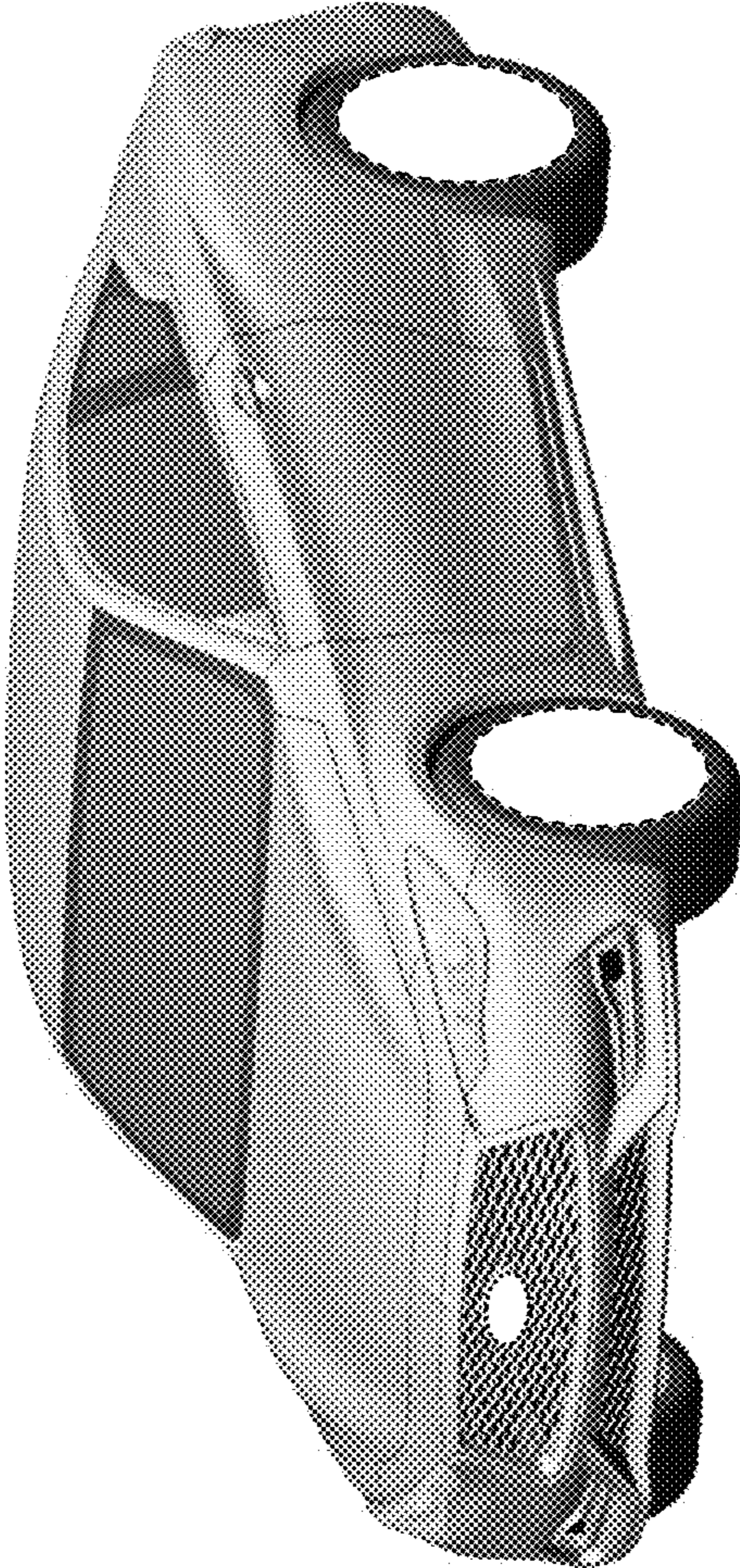


FIG. 5

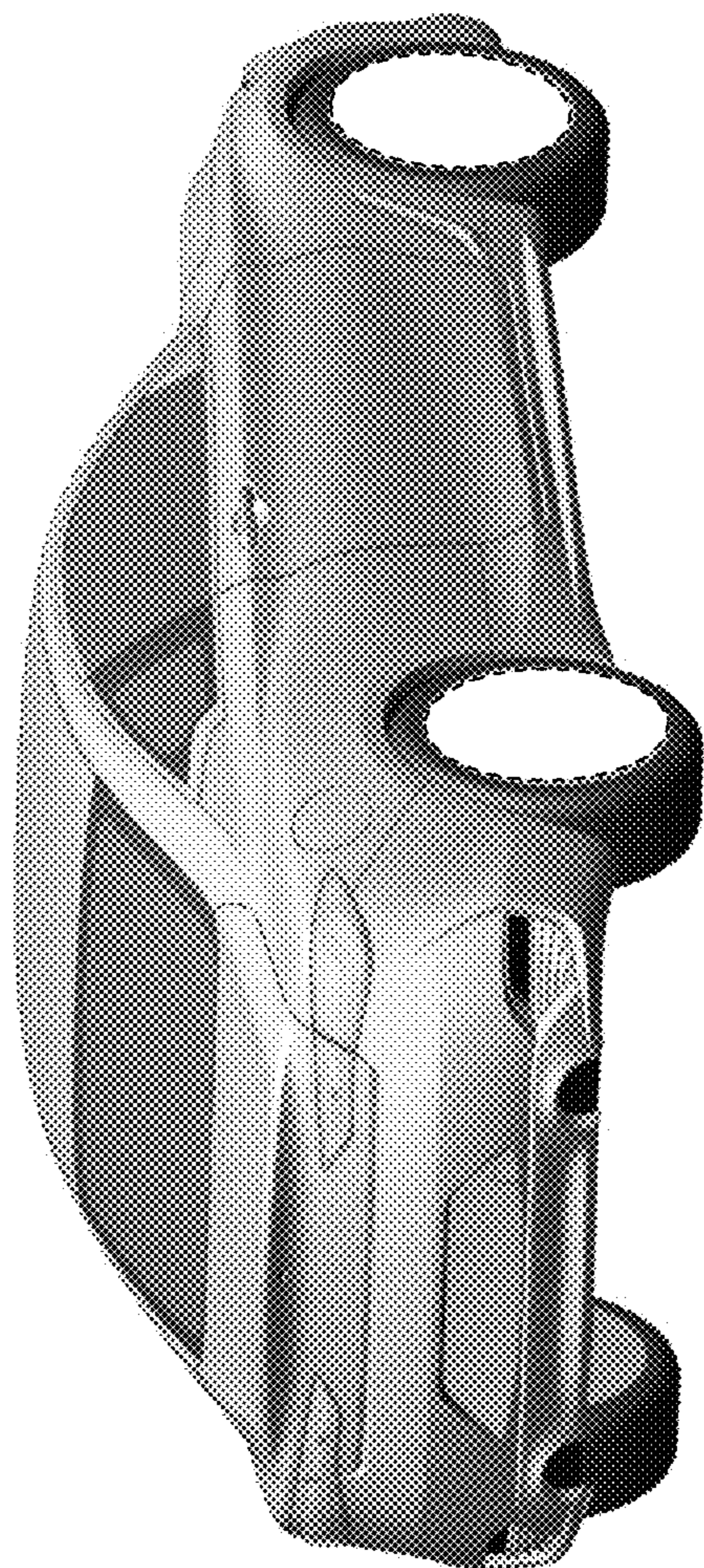


FIG. 6



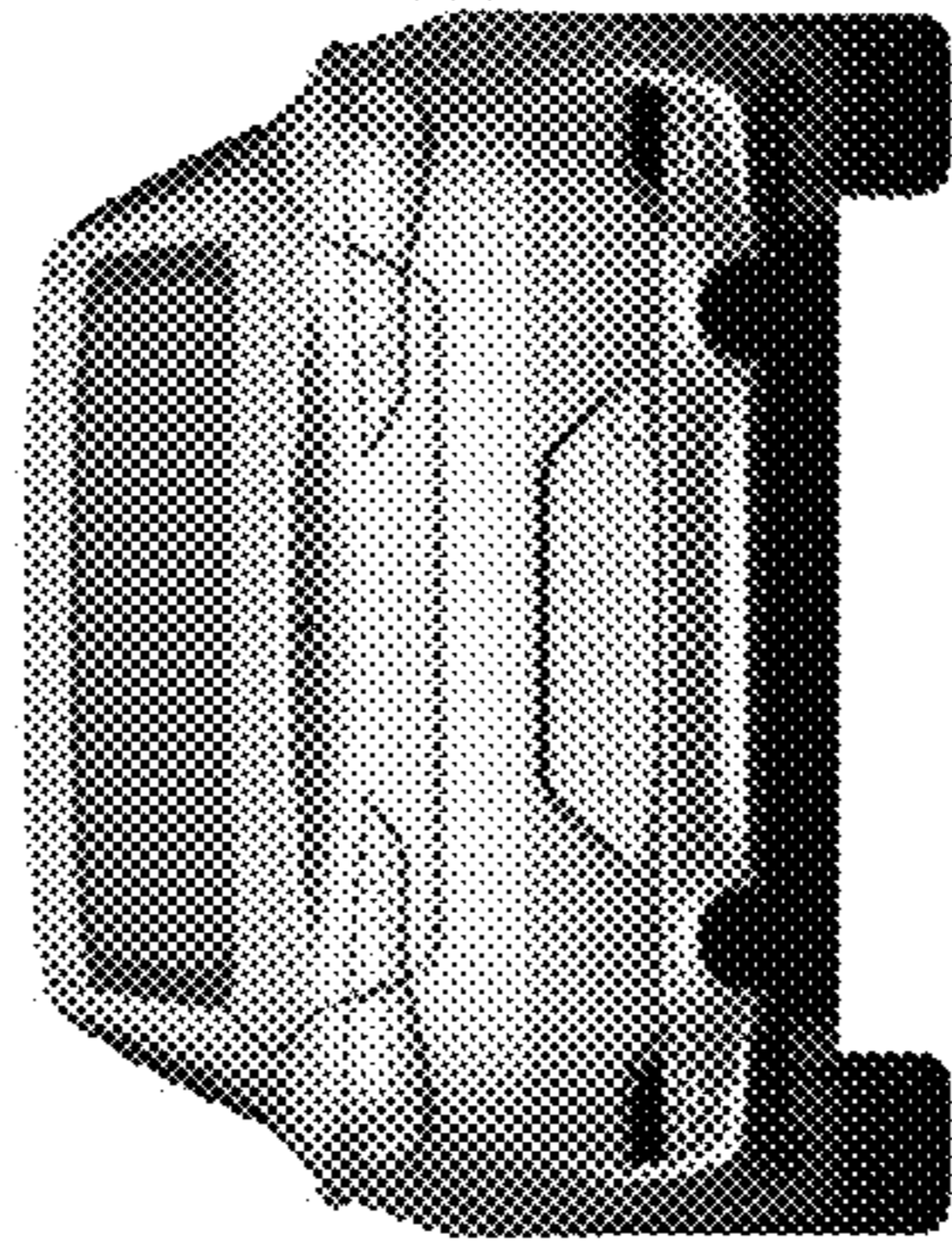


FIG. 7